

THE INFORMATION CONTAINED HEREIN IS CONSIDERED "PROPRIETARY" TO BEL FUSE INC, AND SHALL NOT BE COPIED, REPRODUCED OR DISCLOSED WITHOUT THE WRITTEN APPROVAL OF BEL FUSE INC.

LED1 POLARITY			LED2 POLARITY		
PIN 17	PIN 18	COLOR	PIN 19	PIN 20	COLOR
+	-	YELLOW	+	-	YELLOW
-	+	GREEN	-	+	GREEN



**ELECTRICAL CHARACTERISTICS @ 25°C**

**URNS RATIO**

TP1	1CT : 1CT
TP2	1CT : 1CT
TP3	1CT : 1CT
TP4	1CT : 1CT

**INS. LOSS (MAX)**

1MHz TO 20MHz	-0.8 dB
50MHz	-1.0 dB
200MHz	-1.2 dB
400MHz	-2.0 dB
500MHz	-3.0 dB

**RET. LOSS (MIN)**

1MHz - 40MHz	-16 dB
40MHz - 400 MHz	-16+10LOG (F/40) dB
400MHz - 500 MHz	-6+30LOG (F/400) dB

**CM TO CM REJ**

1MHz - 100MHz	-30 dB MIN
---------------	------------

**HIPOT (Isolation Voltage): 2250 VDC**

100% OF PRODUCTION TESTED TO COMPLY WITH IEEE 802.3 ISOLATION REQUIREMENTS.

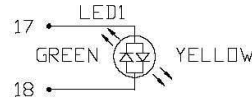
**LED1 AND LED2**

VF (FORWARD VOLTAGE)	IF=20mA	GREEN	2.2V TYP.
		YELLOW	2.1V TYP.
λD (DOMINANT WAVELENGTH)	IF=20mA	GREEN	570nm TYP.
		YELLOW	590nm TYP.

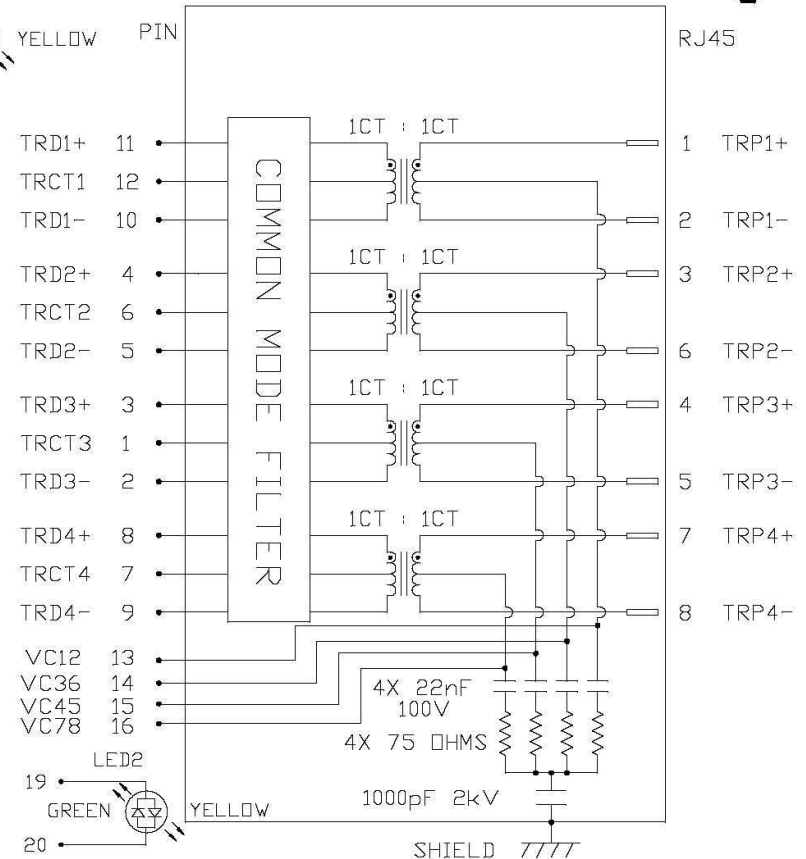
**BALANCED DC LINE CURRENT 600mA MAX CONTINUOUS**

1.2A MAX. FOR 200 MILLISECONDS

OPERATING TEMPERATURE: -40°C TO 85°C



**SCHEMATIC**



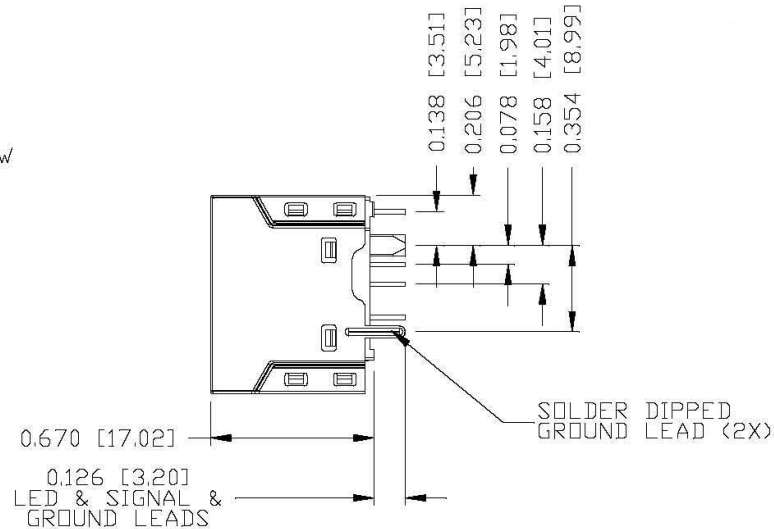
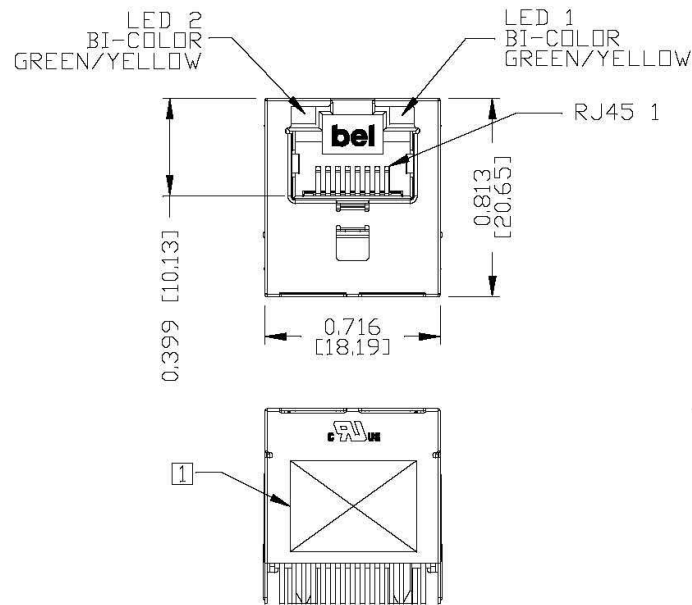
REV. : PB PAGE : 2

<b>ORIGINATED BY</b> CHOW WANCHUNG <b>DATE</b> 2020-08-07 <b>DRAWN BY</b> XIE YIMING <b>DATE</b> 2020-08-07	<b>TITLE</b> 10 gigabit MagJack® Vertical, 4PPoE PATENTED	<b>PART NO. / DRAWING NO.</b> G55-122N-155	<b>STANDARD DIM.</b> TOL. IN INCH	[ ] METRIC DIM. AS REF.	
		<b>FILE NAME</b> G55-122N-155_PB.DWG	.X .XX .XXX	UNIT : INCH [mm] SCALE : N/A SIZE : A4	
		This document is electronically generated. This is a controlled copy if used internally			

THE INFORMATION CONTAINED HEREIN IS CONSIDERED "PROPRIETARY" TO BEL FUSE INC, AND SHALL NOT BE COPIED, REPRODUCED OR DISCLOSED WITHOUT THE WRITTEN APPROVAL OF BEL FUSE INC.

MECHANICAL SPECIFICATION

RoHS



JACK CAVITY CONFORMS TO FCC RULES AND REGULATIONS.  
 [1] MARK PART WITH MFG LOGO, MFG NAME, PART NUMBER, DATE CODE AND PATENTED.

2. THE PRODUCT IS ROHS COMPLIANT.

**cALUS** UL RECOGNIZED - FILE #E169987.

3. THE PRODUCT IS PATENTED, THE PATENT NUMBER ARE U.S. PAT 6,840,817 & U.S. PAT, 7,429,195 & U.S. PAT. 7,123,117 AND U.S. PAT, 7,924,130.

4. THE PART IS RECOMMENDED FOR WAVE SOLDERING. THE SUGGESTED PEAK WAVE SOLDERING CONDITION IS 260°C MAX. AND 10 SECONDS MAX.

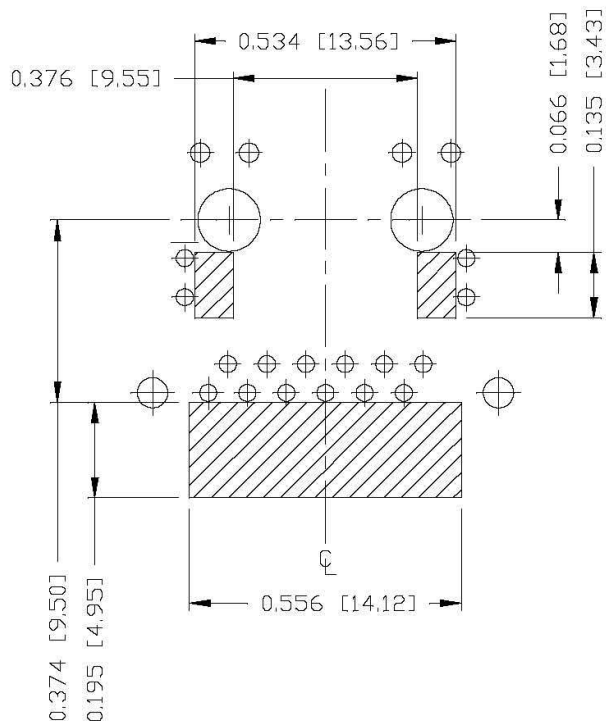
NOTES:

- PLASTIC HOUSING: THERMOPLASTIC PBT, BLACK  
 FLAMMABILITY RATING UL 94V-0
- CONTACT PLATING: 30 MICRO-INCH HARD GOLD PLATING OR EQUIVALENT
- OUTPUT PINS: TIN-COATED COPPER WIRE, DIA 0.018 INCH,  
 100 MICRO-INCH MIN MATTE TIN,  
 PINS ARE SOLDER DIPPED.
- METAL SHIELD: STAINLESS STEEL  
 (ALL GROUND LEADS ARE SOLDER DIPPED)

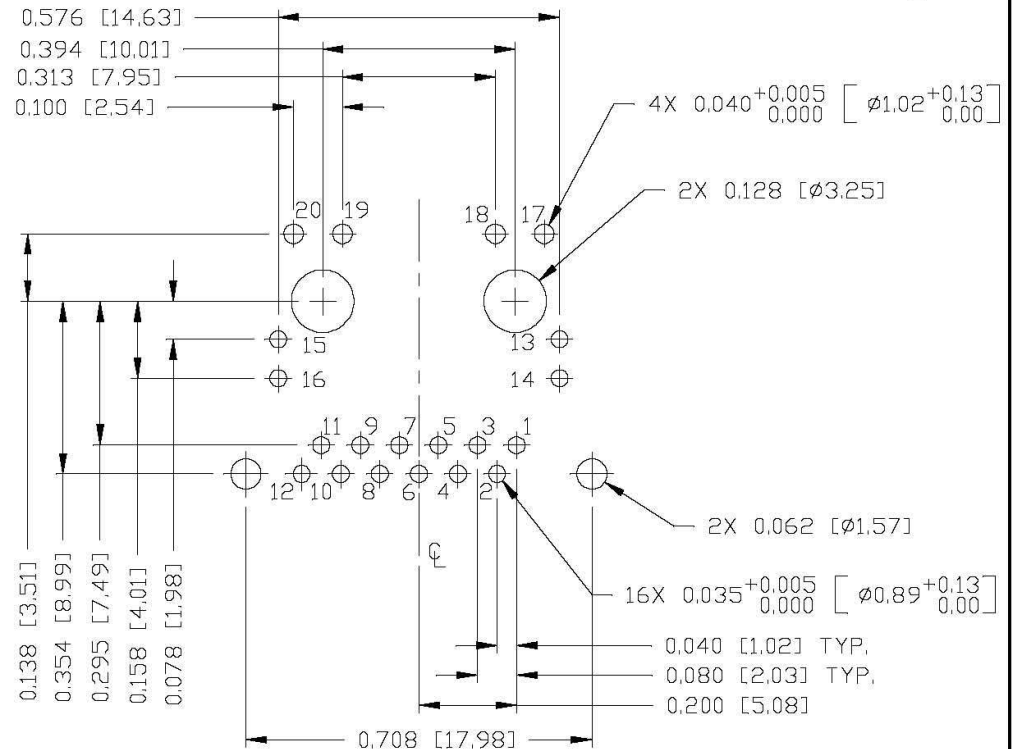
ORIGINATED BY LI QUANKUN DATE 2020-08-07		TITLE 10 gigabit MagJack® Vertical, 4PPoE PATENTED	PART NO. / DRAWING NO. G55-122N-155		STANDARD DIM. [ ] METRIC DIM. TOL. IN INCH AS REF.		REV. : PB	PAGE : 3
DRAWN BY OLIVER ZHANG DATE 2020-08-07			FILE NAME G55-122N-155_PB.DWG	.X	.XX	.XXX	UNIT : INCH [mm]	
				±0.010	⊕	SIZE : A4		

THE INFORMATION CONTAINED HEREIN IS CONSIDERED "PROPRIETARY" TO BEL FUSE INC, AND SHALL NOT BE COPIED, REPRODUCED OR DISCLOSED WITHOUT THE WRITTEN APPROVAL OF BEL FUSE INC.

RoHS



NOTES  
THE SHADED AREA ON THE CUSTOMER BOARD ARE RECOMMENDED TO BE CLEAR OFF ANY VIA HOLE OR COMPONENT PAD.



RECOMMENDED PCB FOOTPRINT  
COMPONENT SIDE VIEW

ORIGINATED BY  
LI QUANKUN  
DATE 2020-08-07

DRAWN BY  
OLIVER ZHANG  
DATE 2020-08-07

TITLE  
10 gigabit MagJack®  
Vertical, 4PPoE  
PATENTED

PART NO. / DRAWING NO.  
G55-122N-155

FILE NAME  
G55-122N-155\_PB.DWG

STANDARD DIM. TOL. IN INCH	[ ] METRIC DIM. AS REF.
.X	UNIT : INCH [mm]
.XX	SCALE : N/A
.XXX ±0.004	SIZE : A4

REV. :	PB	PAGE :	4
--------	----	--------	---

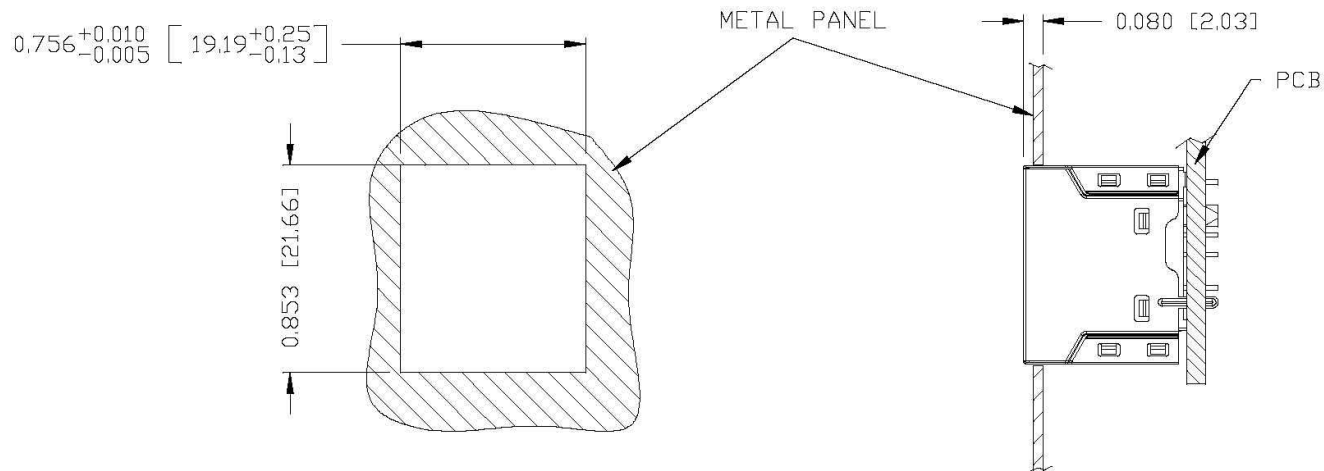
a bel group

THE INFORMATION CONTAINED HEREIN IS CONSIDERED "PROPRIETARY" TO BEL FUSE INC, AND SHALL NOT BE COPIED, REPRODUCED OR DISCLOSED WITHOUT THE WRITTEN APPROVAL OF BEL FUSE INC.

RoHS



SUGGESTED PANEL OPENING



NOTES:

THE DISTANCE OF PANEL INSIDE SURFACE RELATIVE TO FRONT SURFACE OF PART IS ONLY A SUGGESTION. IN CASE THIS DISTANCE IS DIFFERENT, THE REQUIRED PANEL OPENING DIMENSIONS CHANGE ACCORDINGLY.

PACKING INFORMATION

PACKING TRAY : 0200M9999-T1(TOP)

0200M9999-T0(BOTTOM)

PACKING QUANTITY : 50 PCS FINISHED GOODS PER TRAY

9 TRAYS (450 PCS FINISHED GOODS) PER CARTON BOX

NOTER: CARDBOARDS ARE PLACED BETWEEN LAYERS OF PACKIING TRAY INSIDE CARTON BOX (INCLUDE THE UPPERMOST AND LOWERMOST TRAY)

REV. : PB PAGE : 5

ORIGINATED BY LI QUANKUN DATE 2020-08-07	TITLE 10 glgabit MagJack® Vertical, 4PPoE PATENTED	PART NO. / DRAWING NO. G55-122N-155	STANDARD DIM. TOL. IN INCH	[ ] METRIC DIM. AS REF.	 a bel group
		FILE NAME G55-122N-155_PB.DWG	.X .XX .XXX	UNIT : INCH [mm] SCALE : N/A SIZE : A4	
		.XXX	±0.005		

DC002(2)120214

This document is electronically generated. This is a controlled copy if used internally

# Mouser Electronics

Authorized Distributor

Click to View Pricing, Inventory, Delivery & Lifecycle Information:

Bel:

[G55-122N-155](#)