

Customer Information Sheet

DRAWING No.: G125-MHXXX05L3P

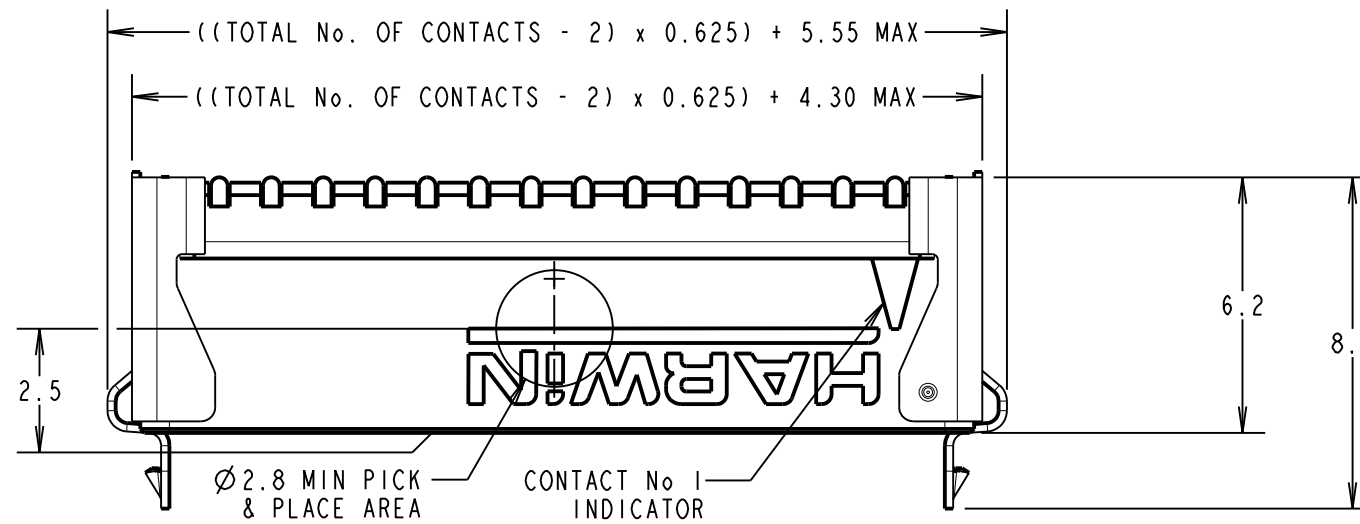
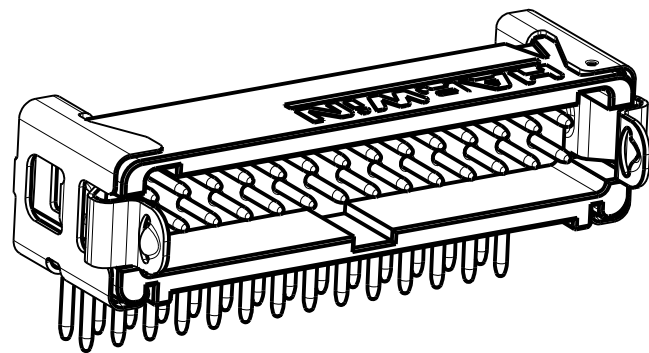
IF IN DOUBT - ASK

©

NOT TO SCALE

THIRD ANGLE PROJECTION

ALL DIMENSIONS IN mm

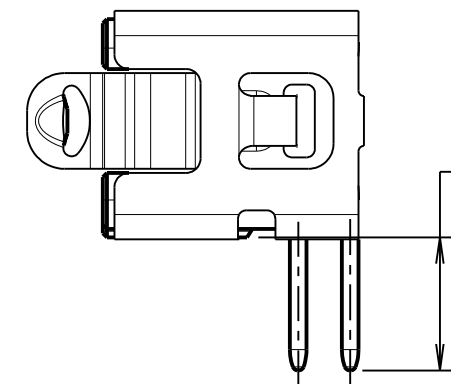
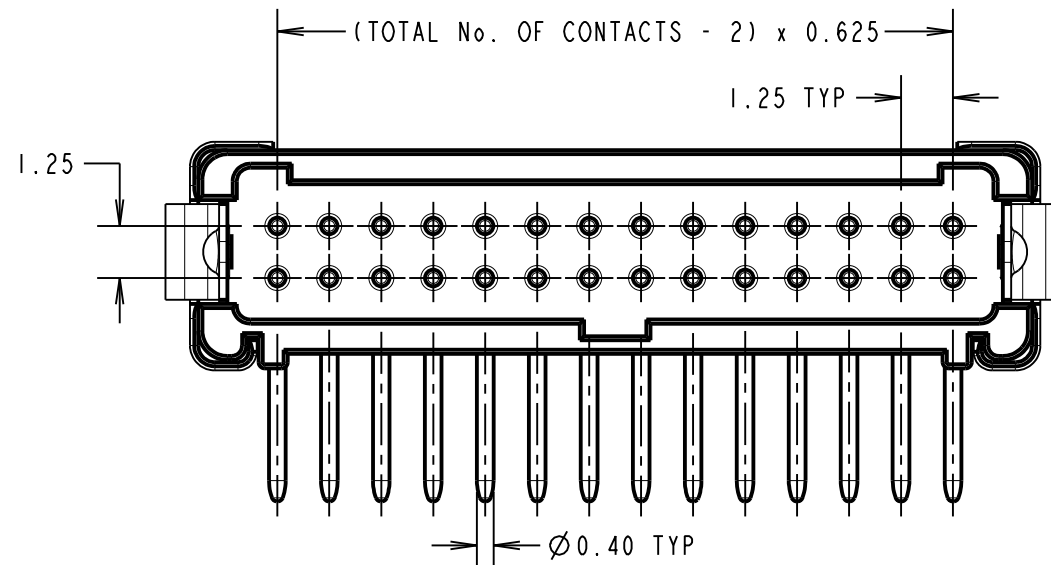
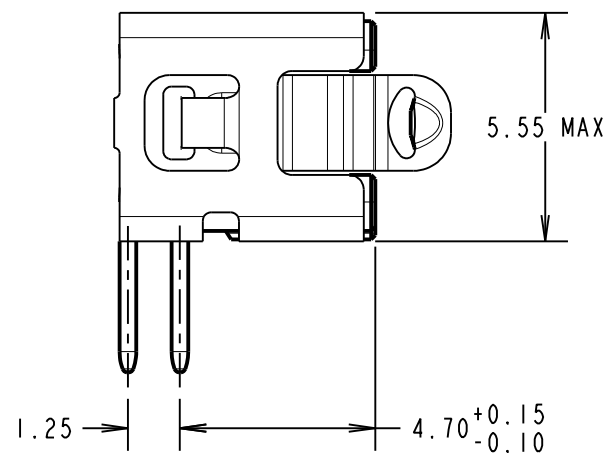


ORDER CODE: **G125-MHXXX05L3P**

CONTACT STYLE: H1 = 3.2mm PC-TAIL, H2 = 4.7mm PC-TAIL

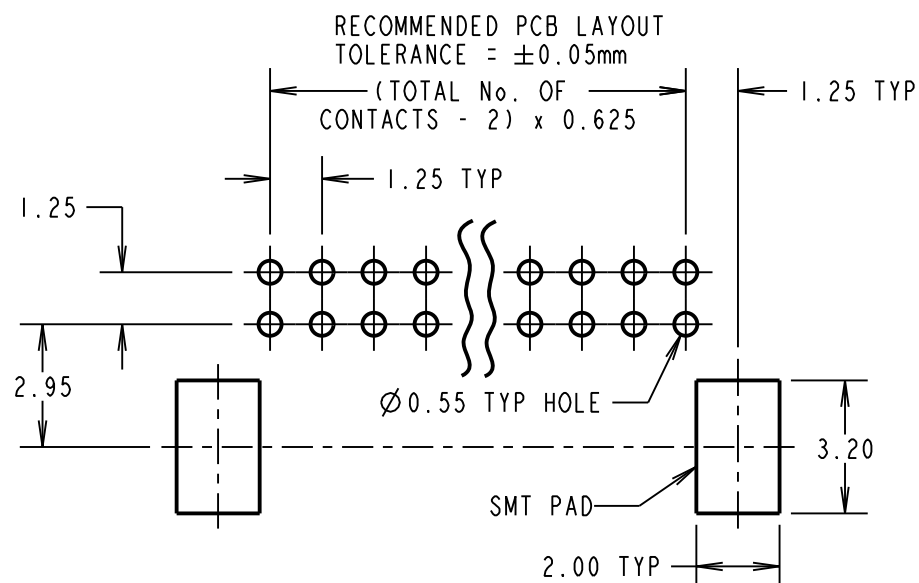
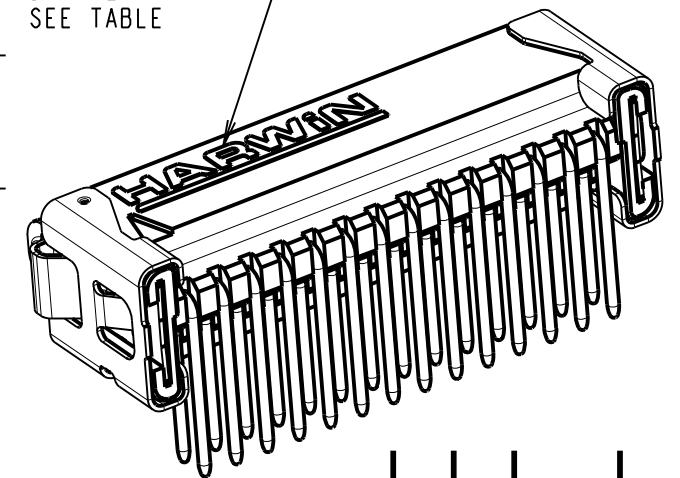
TOTAL No. OF CONTACTS: 06, 10, 12, 16, 20, 26, 34, 50

CONTACT STYLE	DIM 'Z'
H1	3.2±0.15
H2	4.7±0.15



DIM 'Z' SEE TABLE

FULL LOGO ONLY ON 20 TO 50 WAY.
'H' ON 6 & 10 WAY.
'HWN' ON 12 & 16 WAY.



CONNECTOR DETAILS AND PCB LAYOUT ONLY.
SEE SHEET 6 FOR TAPE STRIP DETAILS.

NOTES:
1. FOR COMPLETE SPECIFICATION, SEE COMPONENT SPECIFICATION C125XX (LATEST ISSUE).
SEE G125-SERIES CONNECTORS SPECIFICATION SHEET FOR MATERIALS, FINISH AND SPECIFICATION SUMMARY.

RTP	4	03.09.21	30825
NAME	ISS.	DATE	CN/CO
APPROVED:		R. PORTLOCK	
CHECKED:		R. ALEXANDER	
DRAWN:		MARK G PLESTED	
CUSTOMER REF.:			
ASSEMBLY DRG:			

HARWIN

www.harwin.com
technical@harwin.com

THIS DRAWING AND ANY INFORMATION OR DESCRIPTIVE MATTER SET OUT HEREON ARE CONFIDENTIAL AND COPYRIGHT PROPERTY OF THE HARWIN GROUP AND MUST NOT BE DISCLOSED, LOANED, COPIED OR USED FOR MANUFACTURING, TENDERING OR FOR ANY OTHER PURPOSE WITHOUT THEIR WRITTEN PERMISSION.

TOLERANCES
X. = ±1mm
X.X = ±0.50mm
X.XX = ±0.20mm
X.XXX = ±0.01mm
ANGLES = ±5°
UNLESS STATED

MATERIAL: SEE NOTE 1
FINISH: SEE NOTE 1
S/AREA: mm²

TITLE:
G125 MALE HORIZONTAL PC TAIL
SERIES IN TAPE

DRAWING NUMBER:
G125-MHXXX05L3P

SHT
5 OF 6

Customer Information Sheet

DRAWING No.: G125-MHXXX05L3P

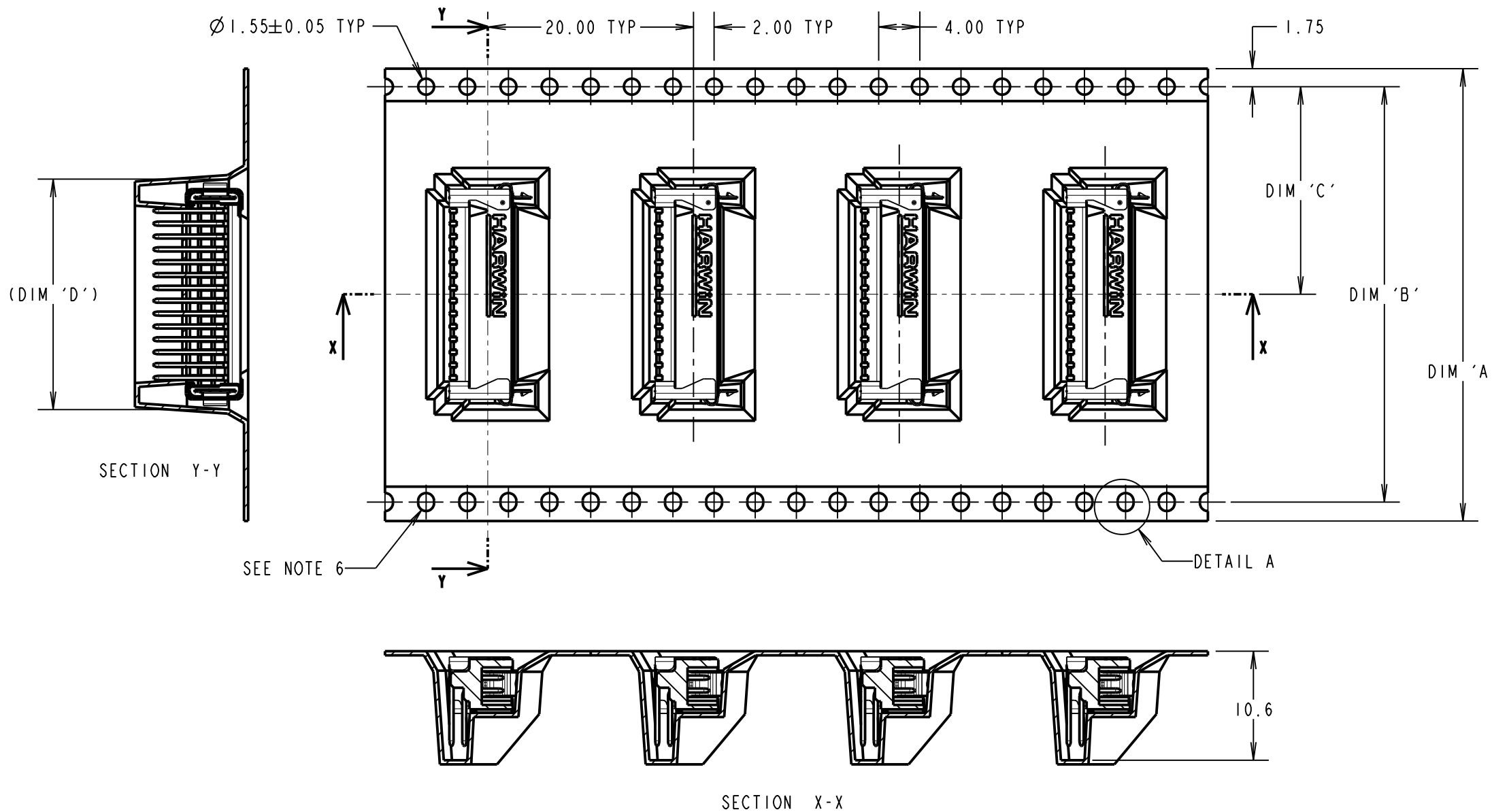
IF IN DOUBT - ASK

©

NOT TO SCALE

THIRD ANGLE PROJECTION

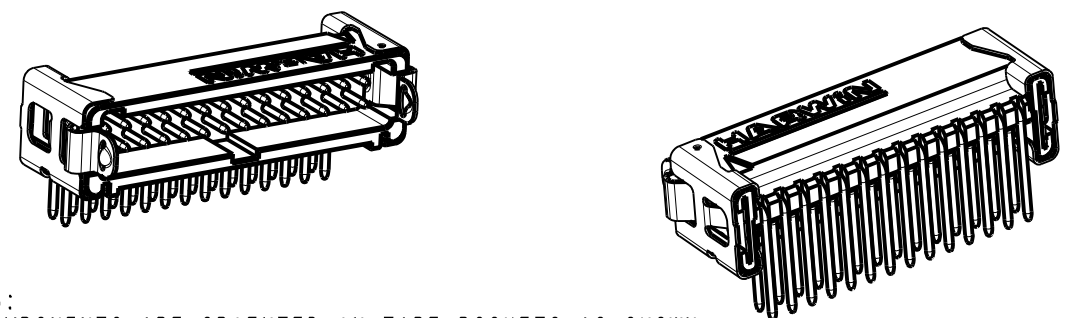
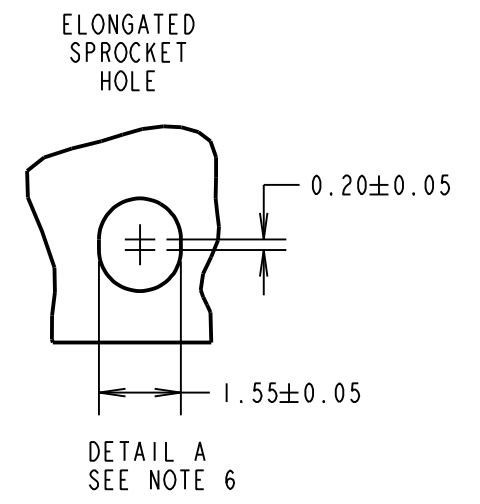
ALL DIMENSIONS IN mm



ORDER CODE: **G125-MHXXX05L3P**

CONTACT STYLE: —
 3.2mm PC-TAIL = H1
 4.7mm PC-TAIL = H2

TOTAL No. OF CONTACTS: —
 06, 10, 12, 16, 20, 26, 34, 50



- NOTES:
- COMPONENTS ARE ORIENTED IN TAPE POCKETS AS SHOWN.
 - COMPONENTS ARE SUPPLIED IN STRIPS OF 10 UNLESS OTHERWISE SPECIFIED.
 - LARGE QTY'S MAY BE SHIPPED ON A REEL AND MAY NOT HAVE A LEADER.
 - FOR PARTS ON REEL SUITABLE FOR AUTOMATIC MACHINE PLACEMENT PLEASE ORDER: G125-MHXXX05L3R.
 - FOR COMPLETE SPECIFICATION, SEE COMPONENT SPECIFICATION C125XX (LATEST ISSUE).
 - ELONGATED SPROCKET HOLE NOT PRESENT ON 06 & 10 POSITIONS.
 - SEE SHEET 5 FOR CONNECTOR DETAILS.

PART No.	DIM 'A'	DIM 'B'	DIM 'C'	DIM 'D'
G125-MHX0605L3P	24.0	NO ELONGATED HOLE	11.50	8.5
G125-MHX1005L3P	+0.3/-0.1			11.0
G125-MHX1205L3P	32.0±0.3	28.40	14.20	12.2
G125-MHX1605L3P				14.7
G125-MHX2005L3P				17.2
G125-MHX2605L3P	44.0±0.3	40.40	20.2±0.15	21.0
G125-MHX3405L3P				26.0
G125-MHX5005L3P	56.0±0.3	52.40	26.2±0.15	36.0

RTP	4	03.09.21	30825
NAME	ISS.	DATE	CN/CO
APPROVED:		R. PORTLOCK	
CHECKED:		R. ALEXANDER	
DRAWN:		MARK G PLESTED	
CUSTOMER REF.:			
ASSEMBLY DRG:			

<p>www.harwin.com technical@harwin.com</p>	<p>THIS DRAWING AND ANY INFORMATION OR DESCRIPTIVE MATTER SET OUT HEREON ARE CONFIDENTIAL AND COPYRIGHT PROPERTY OF THE HARWIN GROUP AND MUST NOT BE DISCLOSED, LOANED, COPIED OR USED FOR MANUFACTURING, TENDERING OR FOR ANY OTHER PURPOSE WITHOUT THEIR WRITTEN PERMISSION.</p>	<p>TOLERANCES</p> <p>X. = ±1mm X.X = ±0.50mm X.XX = ±0.20mm X.XXX = ±0.01mm</p> <p>ANGLES = ±5° UNLESS STATED</p>	<p>MATERIAL:</p> <p>SEE SHEET 5</p>	<p>TITLE:</p> <p>G125 MALE HORIZONTAL PC TAIL SERIES IN TAPE</p>
		<p>FINISH:</p> <p>SEE SHEET 5</p>	<p>S/AREA:</p> <p>mm²</p>	<p>DRAWING NUMBER:</p> <p>G125-MHXXX05L3P</p>

Mouser Electronics

Authorized Distributor

Click to View Pricing, Inventory, Delivery & Lifecycle Information:

Harwin:

[G125-MH13405L3P](#) [G125-MH10605L3P](#) [G125-MH11005L3P](#) [G125-MH12605L3P](#) [G125-MH15005L3P](#) [G125-MH11205L3P](#) [G125-MH11605L3P](#) [G125-MH12005L3P](#) [G125-MH11605L5P](#) [G125-MH11005L5P](#) [G125-MH12605L5P](#) [G125-MH11005L1P](#) [G125-MH13405L1P](#) [G125-MH12605L1P](#) [G125-MH12005L1P](#) [G125-MH15005L1P](#) [G125-MH11605L1P](#) [G125-MH11205L7P](#) [G125-MH11005L7P](#) [G125-MH10605L7P](#) [G125-MH12005L7P](#) [G125-MH15005L7P](#) [G125-MH12605L3R](#) [G125-MH11605L1R](#) [G125-MH20605L3P](#) [G125-MH21005L3P](#) [G125-MH21205L3P](#) [G125-MH21605L3P](#) [G125-MH22005L3P](#) [G125-MH22605L3P](#) [G125-MH23405L3P](#) [G125-MH25005L3P](#) [G125-MH10805M4-2AD2ADP](#) [G125-MH10805M3-1AD1ADP](#) [G125-MH10805M3-2AD2ADP](#) [G125-MH10805M4-1AD1ADP](#) [G125-MH11005M4P](#) [G125-MH11605M4P](#) [G125-MH12605M4P](#) [G125-MH13405M4P](#) [G125-MH10605M4P](#) [G125-MH10605M3P](#) [G125-MH11005M3P](#) [G125-MH11205M3P](#) [G125-MH11605M3P](#) [G125-MH12005M3P](#) [G125-MH12605M3P](#) [G125-MH13405M3P](#) [G125-MH15005M3P](#)