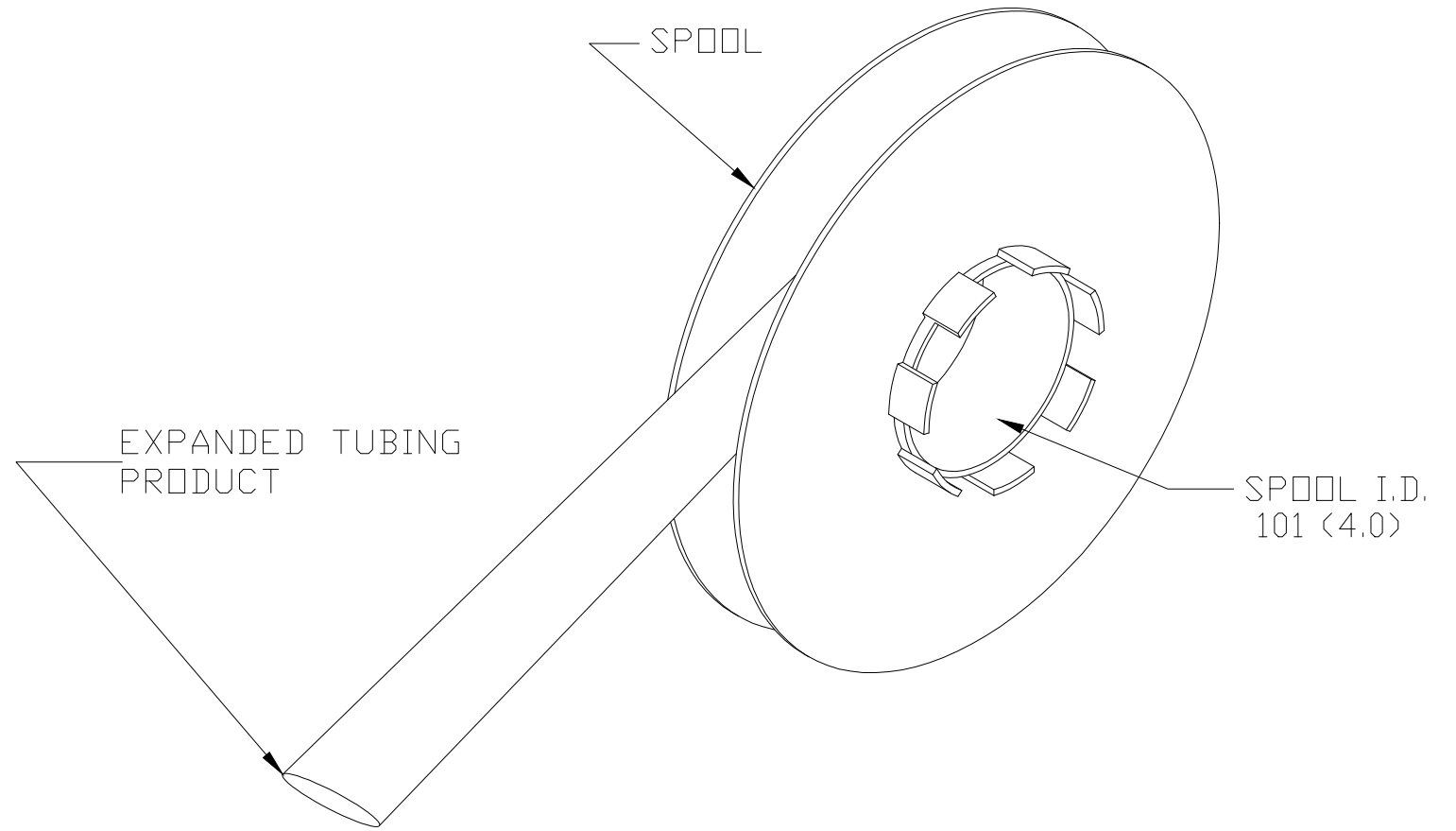
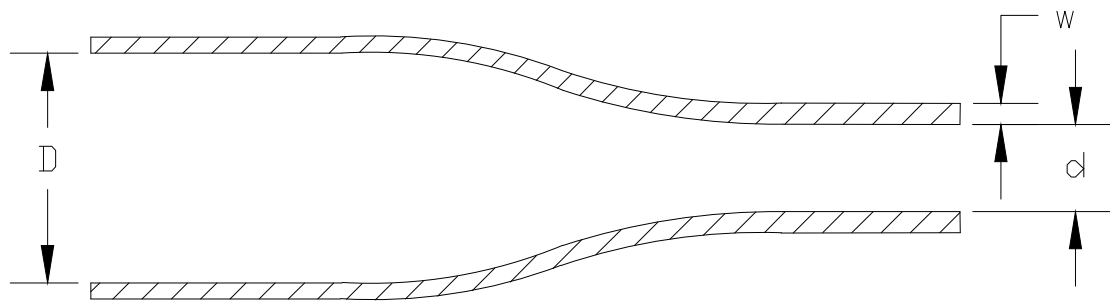
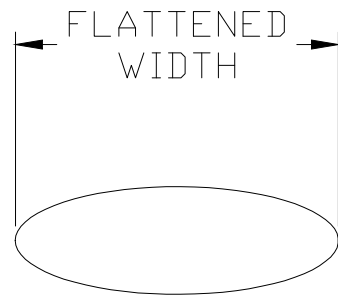


P	LTR	DESCRIPTION	DATE	DWN	APVD
2		INITIAL CUSTOMER DRAWING	20FEB2020	AFK	LS



Product Size	3/32	1/8	3/16	1/4	3/8	1/2	3/4	1	1-1/2
"D" Minimum Supplied I.D.	2.36 (.093)	3.18 (.125)	4.75 (.187)	6.35 (.250)	9.53 (.375)	12.7 (.500)	19.0 (.750)	25.4 (1.00)	38.1 (1.50)
"d" Maximum Recovered I.D.	0.79 (.031)	1.58 (.063)	2.38 (.094)	3.18 (.125)	4.76 (.188)	6.35 (.250)	9.53 (.375)	12.7 (.500)	19.0 (.750)
"w" Recovered Wall Thickness	0.38±0.08 (.015±.003)	0.38±0.08 (.015±.003)	0.38±0.08 (.015±.003)	0.38±0.08 (.015±.003)	0.38±0.08 (.015±.003)	0.38±0.08 (.015±.003)	0.38±0.08 (.015±.003)	0.43±0.10 (.017±.004)	0.43±0.10 (.017±.004)
Minimum Sleeve Flattened Width	4.32 (.170)	5.84 (.230)	8.00 (.315)	10.7 (.420)	15.5 (.610)	20.3 (.799)	30.5 (1.20)	40.4 (1.59)	60.3 (2.37)

NOTES:

1. ALL DIMENSIONS ARE IN MILLIMETERS (inches).

THIS DRAWING IS A CONTROLLED DOCUMENT.		DWN AFK CHK -	19FEB2020	TE Connectivity	
DIMENSIONS: mm 		TOLERANCES UNLESS OTHERWISE SPECIFIED: 0 PLC ± - 1 PLC ± - 2 PLC ± - 3 PLC ± - 4 PLC ± - ANGLES ± -			
MATERIAL CROSS-LINKED PvdF		FINISH -		NAME HT-CT OUTSIDE PRINTER SPOOL -	
		WEIGHT VARIOUS		SIZE A3	RESTRICTED TO -
		CUSTOMER DRAWING		CAGE CODE -	DRAWING NO C-MCD170015
				SCALE -	SHEET 1 OF 1
				REV 2	

Mouser Electronics

Authorized Distributor

Click to View Pricing, Inventory, Delivery & Lifecycle Information:

[TE Connectivity:](#)

[EL8074-000](#)