

| REVISIONS | | | |
|-----------|---------------------------|---------|----------|
| LTR | DESCRIPTION | DATE | APPROVED |
| J1 | REVISED PER ECO-11-005139 | 29MAR11 | HMR |

IF THIS DOCUMENT IS PRINTED IT BECOMES UNCONTROLLED.
CHECK FOR THE LATEST REVISION.

NOTES:

1 DK-621-X413 NOT INCLUDED.

| KIT | PCN NO. | CONNECTOR | CONTACT | USAF NO. |
|----------------|---------|-----------|---------|---------------|
| DK-621-0411 | 228389 | PLUG | ----- | N/A |
| DK-621-0411-P | 902973 | PLUG | PIN | 8340709-00-01 |
| DK-621-0411-UP | 980023 | PLUG | PIN | N/A |
| DK-621-0411-S | 191045 | PLUG | SOCKET | 8340709-00-02 |
| DK-621-0411-US | 580047 | PLUG | SOCKET | N/A |
| DK-621-0412 | 149527 | JACK | ----- | N/A |
| DK-621-0412-P | 118345 | JACK | PIN | 8340711-00-01 |
| DK-621-0412-UP | 734977 | JACK | PIN | N/A |
| DK-621-0412-S | 503123 | JACK | SOCKET | 8340711-00-02 |
| DK-621-0412-US | 682615 | JACK | SOCKET | N/A |
| DK-621-0414 | 341103 | JACK | ----- | N/A |
| DK-621-0414-P | 046369 | JACK | PIN | N/A |
| DK-621-0414-S | 875101 | JACK | SOCKET | N/A |

| NOT AVAILABLE FOR NEW ORDERS | | | | |
|---|--------|------|--------|--|
| ORDER EQUIVALENT DK-621-041X(-XX) CONNECTOR | | | | |
| DK-621-1411 | 459727 | PLUG | ----- | |
| DK-621-1411-P | 856385 | PLUG | PIN | |
| DK-621-1411-UP | 054769 | PLUG | PIN | |
| DK-621-1411-S | 824175 | PLUG | SOCKET | |
| DK-621-1411-US | 087739 | PLUG | SOCKET | |
| DK-621-1412 | 171793 | JACK | ----- | |
| DK-621-1412-P | 839897 | JACK | PIN | |
| DK-621-1412-UP | 650513 | JACK | PIN | |
| DK-621-1412-S | 051167 | JACK | SOCKET | |
| DK-621-1412-US | 544577 | JACK | SOCKET | |

SPECIFICATION CONTROL DRAWING

UNLESS OTHERWISE SPECIFIED
DIMENSIONS ARE IN INCHES.
METRIC DIMENSIONS ARE
IN BRACKETS.

DECIMALS

.XXX ± [] mm
.XX ± [] mm

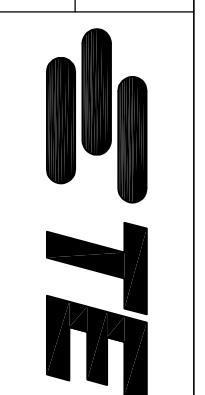
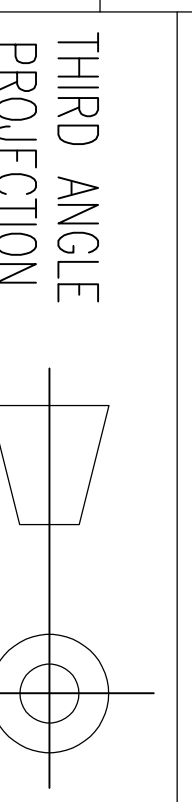
ANGLES

.X ± []

WEIGHT

[] lbs [] g

| | | |
|----------|----------|----------|
| DRAWN | J.B.K. | 92 MAR 3 |
| CHECKED | | |
| APPROVED | | |
| APPROVED | Z.TEMAN | 92 MAR 3 |
| CAD NAME | 004990-1 | |



TE Connectivity
300 Constitution Drive
Menlo Park, CA. 94025 U.S.A.

Raychem

TITLE
KITS FOR
D-621 THREADED 400 SERIES
TRIAXIAL CONNECTORS
(FOR TWINAXIAL CABLES)

| | | | |
|------|-----------------|-----------------------|-----|
| SIZE | CODE IDENT. NO. | DWG. NO. | REV |
| A | 06090 | DK-621-X411/X414[-XX] | J1 |

DO NOT SCALE THIS DRAWING

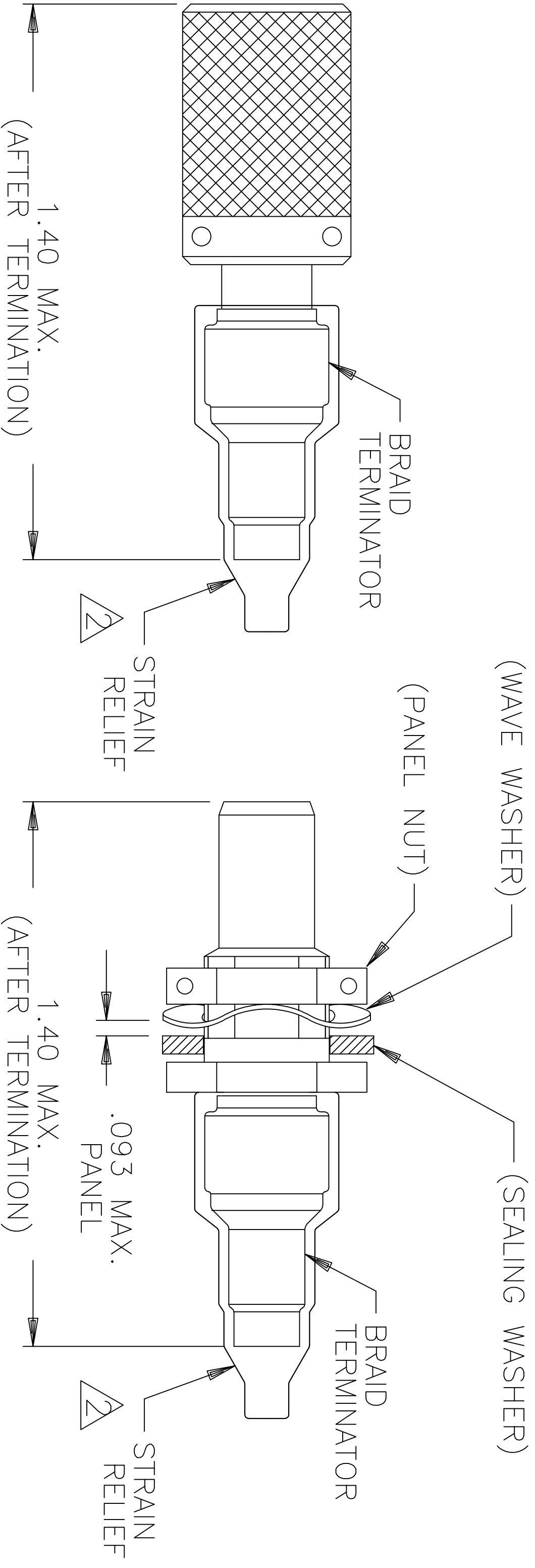
SHEET 1 OF 2

NOTES: (CONTINUED)

SEE SHEET 1 FOR REVISION

△ USAF No.: PLUG - 8340709-00-0X } PRINTED ON STRAIN RELIEF OF
 JACK - 8340711-00-0X } DK-621-04YY SERIES.

3. D-600-0030 BRAID TERMINATOR REPLACES D-600-0055 AND D-600-0056.



PLUG CONNECTOR
ASSEMBLY

JACK CONNECTOR
ASSEMBLY

REQUIREMENTS:

1.0 REFER TO THE FOLLOWING RAYCHEM SPECIFICATION CONTROL DRAWINGS (SCD) FOR INDIVIDUAL COMPONENT DETAILS:

| | |
|------------|-----------------------------------|
| D-621-0411 | CONNECTOR, TRIAXIAL, SUBMINIATURE |
| D-621-0412 | |
| D-621-0414 | |
| D-602-0126 | CONTACT, PIN |
| D-602-0127 | CONTACT, SOCKET |
| D-600-0030 | BRAID TERMINATOR |
| D-600-0019 | STRAIN RELIEF |
| | NOT SHOWN |
| | NOT SHOWN |
| | NOT USED WITH DK-621-0414(-X) |

2.0 CONNECTORS ARE QUALIFIED TO RAYCHEM SPECIFICATION D-6025.

3.0 TERMINATION PROCEDURE: RAYCHEM ES 61162

IF THIS DOCUMENT IS PRINTED IT BECOMES UNCONTROLLED.
 CHECK FOR THE LATEST REVISION.

| | | | | | | | |
|--------------------|--------|--------|----------|---------------------------|-----------------|-----------------------|--------------|
| CAD NAME: 004990-2 | DRAWN | J.B.K. | 92 MAR 3 | SIZE | CODE IDENT. NO. | DWG. NO. | REV |
| | ISSUED | | | A | 06090 | DK-621-X411/X414[-XX] | J1 |
| | | | | DO NOT SCALE THIS DRAWING | | | SHEET 2 OF 2 |

Mouser Electronics

Authorized Distributor

Click to View Pricing, Inventory, Delivery & Lifecycle Information:

[TE Connectivity:](#)

[DK-621-0411-SCS2738](#)