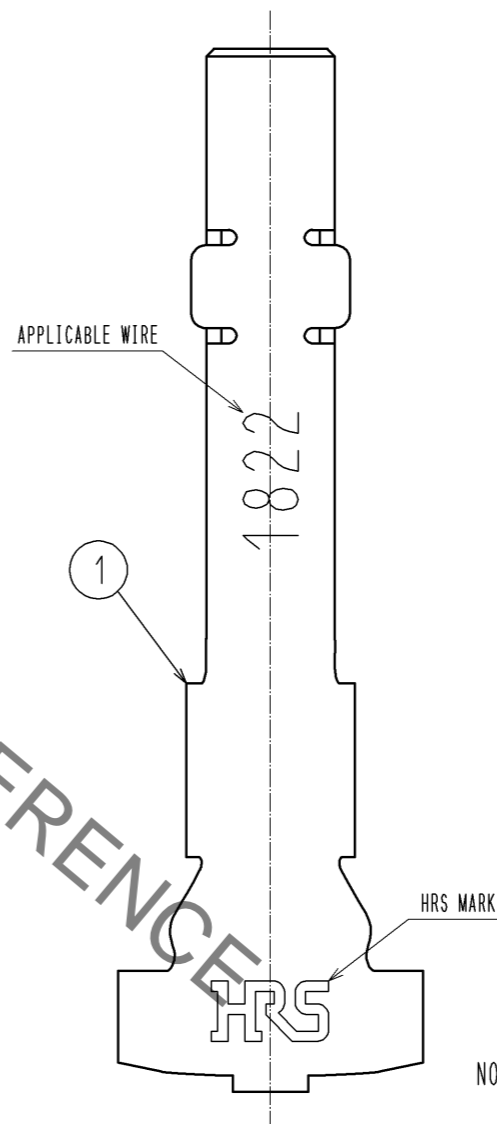
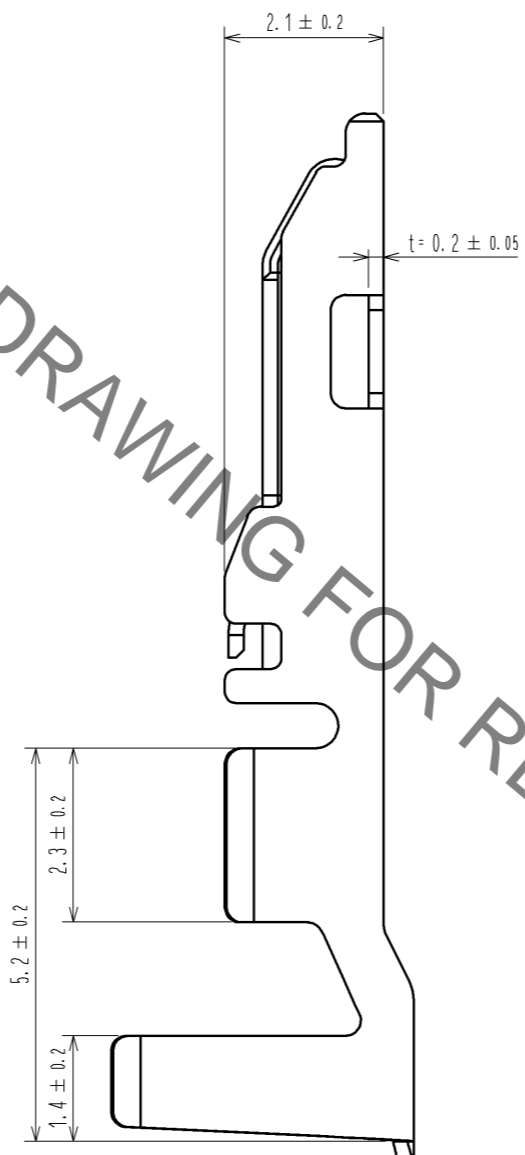
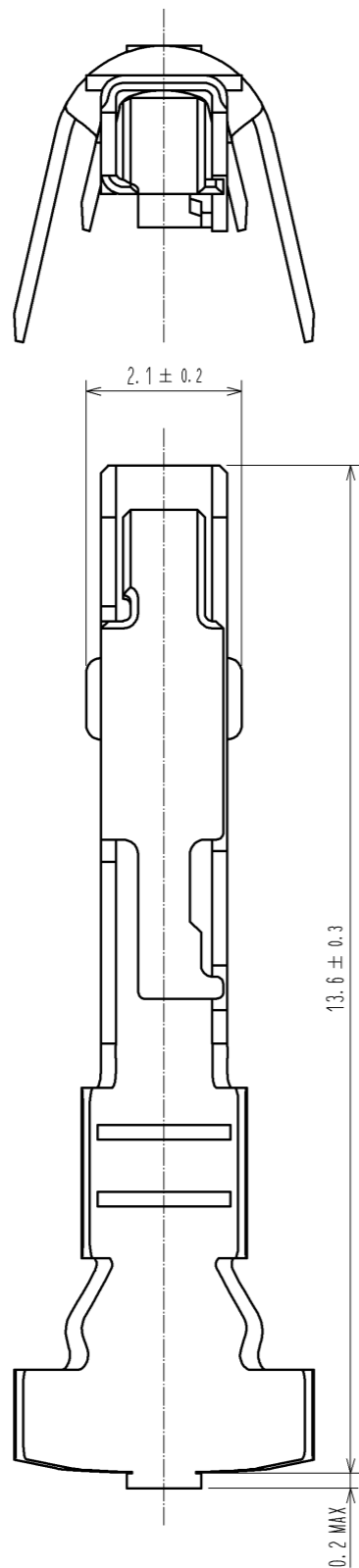


Dec.1.2020 Copyright 2020 HIROSE ELECTRIC CO., LTD. All Rights Reserved.
 In case of consideration for using Automotive equipment / device which demand high reliability, kindly contact our sales window correspondents.



HRS DRAWING FOR REFERENCE

- NOTE 1. 1PACK:100 CONTACTS.
 2. () IS REFERENCE DIMENSION.
 3. UL/c-UL(FILE NO. E52653) APPROVED PRODUCT.



NO.	MATERIAL	FINISH . REMARKS	NO.	MATERIAL	FINISH . REMARKS
			1	PHOSPHOR BRONZE	SURFACE:TIN-PLATING 1μm MIN.

UNITS	SCALE	COUNT	DESCRIPTION OF REVISIONS	DESIGNED	CHECKED	DATE
mm	10 : 1	△				
HIROSE ELECTRIC CO., LTD.			APPROVED : KI. AKIYAMA	14. 02. 26	DRAWING NO. EDC3-351924-00	
			CHECKED : OM. MIYAMOTO	14. 02. 26	PART NO. DF64-1822PC	
			DESIGNED : TS. MIYAKI	14. 02. 26	CODE NO. CL667-1008-5-00	
			DRAWN : TS. MIYAKI	14. 02. 26	△ 1/1	

Mouser Electronics

Authorized Distributor

Click to View Pricing, Inventory, Delivery & Lifecycle Information:

[Hirose Electric:](#)

[DF64-1822PC](#)