

DESCRIPTION

Demonstration circuit 729 is an I/Q modulator featuring the LT[®]5528. The LT[®]5528 is a 1.5GHz to 2.4GHz direct I/Q modulator designed for high performance wireless applications, including wireless infrastructure. It may also be configured as an image reject upconverting mixer, by applying 90° phase-shifted signals to the I and Q inputs.

A high-speed, internally matched LO amplifier drives two double-balanced mixer cores, allowing the use of a low power, single-ended LO source. It allows direct modulation of an RF signal using differential baseband I and Q signals. It supports GSM, EDGE, CDMA, CDMA2000, W-CDMA, 64-QAM, OFDM and other modulation formats.

The I/Q baseband inputs consist of voltage-to-current converters that in turn drive double-balanced mixers. The outputs of these mixers are summed and applied to an on-chip RF transformer, which converts the

differential mixer signals to a 50Ω single-ended output. The four balanced I and Q base-band input ports are intended for DC coupling from a source with a common-mode voltage level of about 0.5V. The differential input impedance of the baseband inputs is approximately 90Ω, making them ideally suited for current-drive applications.

The LO path consists of an LO buffer with single-ended input, and precision quadrature generators which produce the LO drive for the mixers.

Demonstration circuit 729 is designed for an RF output frequency range from 1.5GHz to 2.4GHz.

Design files for this circuit board are available. Call the LTC factory.

LT is a registered trademark of Linear Technology Corporation.

QUICK START GUIDE FOR DEMONSTRATION CIRCUIT 729

HIGH LINEARITY DIRECT QUADRATURE MODULATOR

Table 1. Typical Performance Summary ($T_A = 25^\circ\text{C}$)

PARAMETER	CONDITION ($f_{\text{RF}} = 2\text{MHz}$, $f_{\text{LO}} = 2000\text{MHz}$)	VALUE
Supply Voltage		4.5V to 5.25V
Supply Current	$V_{\text{CC}} = 5\text{V}$, EN = High	125mA
Maximum Shutdown Current	$V_{\text{CC}} = 5\text{V}$, EN = Low	50 μA
RF Frequency Range		1.5GHz to 2.4GHz
Baseband Frequency Range		DC to 400 MHz
LO Input Return Loss	$Z_0 = 50\Omega$	17dB
RF Output Return Loss	$Z_0 = 50\Omega$	15dB
LO Input Power		-10dBm to +5dBm
LO Frequency Range		1.5GHz to 2.4GHz
Conversion Gain	$P_{\text{RF}} = -10\text{dBm}$, $P_{\text{LO}} = 0\text{dBm}$, defined as $P_{\text{RF}}/P_{\text{BB}}$	-6.5dB
Output 3 rd Order Intercept	2-Tone, $P_{\text{RF}} = -10\text{dBm/Tone}$, $\Delta f = 100\text{KHz}$, $P_{\text{LO}} = 0\text{dBm}$	+21.8dBm
Output 2 nd Order Intercept	2-Tone, $P_{\text{RF}} = -10\text{dBm/Tone}$, $\Delta f = 100\text{KHz}$, $P_{\text{LO}} = 0\text{dBm}$	+49dBm
Output 1dB Compression	$P_{\text{LO}} = 0\text{dBm}$	+7.9dBm
LO leakage	$P_{\text{LO}} = 0\text{dBm}$	-42dBm
Image Rejection	$P_{\text{LO}} = 0\text{dBm}$	-45dBc

APPLICATION NOTE

RF FREQUENCY RANGE

No tuning is required for operation over the RF frequency range of 1.5GHz to 2.4GHz.

BASEBAND FREQUENCY RANGE

The baseband frequency range extends from DC to 400MHz (3dB bandwidth).

LO TO RF LEAKAGE

The LT[®]5528 offers excellent LO to RF leakage performance, typically -45dBm at 2.14GHz.

The LO leakage may be further reduced by the introduction of small differential DC offsets ($V_{\text{BBIP}} - V_{\text{BBIM}}, V_{\text{BBQP}} - V_{\text{BBQM}}$) at the baseband inputs, typically less than 10mV. These DC offsets may be introduced, for example, using the DC offset points shown in figure 1.

SIDETONE TO RF LEAKAGE

The LT[®]5528 also offers very good image rejection (sidetone suppression) at the RF port. The image rejection may be further enhanced by the introduction of small differential phase and amplitude offsets at the baseband inputs.

TEST EQUIPMENT AND SETUP

Refer to Figure 1 for proper measurement equipment setup. Before performing measurements on the DUT, it is very important to evaluate the test system performance to ensure that: 1) distortion-free input signals are applied and 2) the spectrum analyzer internal distortion is minimized. Follow the guidelines below to do this.

Use high performance signal generators with low harmonic output (>-75dBc) for 2-tone measurements. The signal generators must provide 2 equal amplitude outputs in quadrature with one another. High quality combiners that provide broadband 50 ohm termination on all ports should be used. The combiners should have good port-to-port isolation (>30dB) to prevent the signal generators from modulating each other and generating intermodulation products. Attenuators on the outputs of these generators can also be used to increase the effective port-to-port isolation. Spectrum analyzers can produce significant internal distortion products if they are overdriven. Sufficient spectrum analyzer input attenuation should be used to avoid saturating the instrument. A typical input 3rd order intercept point

for a spectrum analyzer is +35dBm, with 10dB input attenuation applied. This is more than 10dB above the intercept point of the DUT, and should yield accurate 3rd order distortion results.

QUICK START PROCEDURE

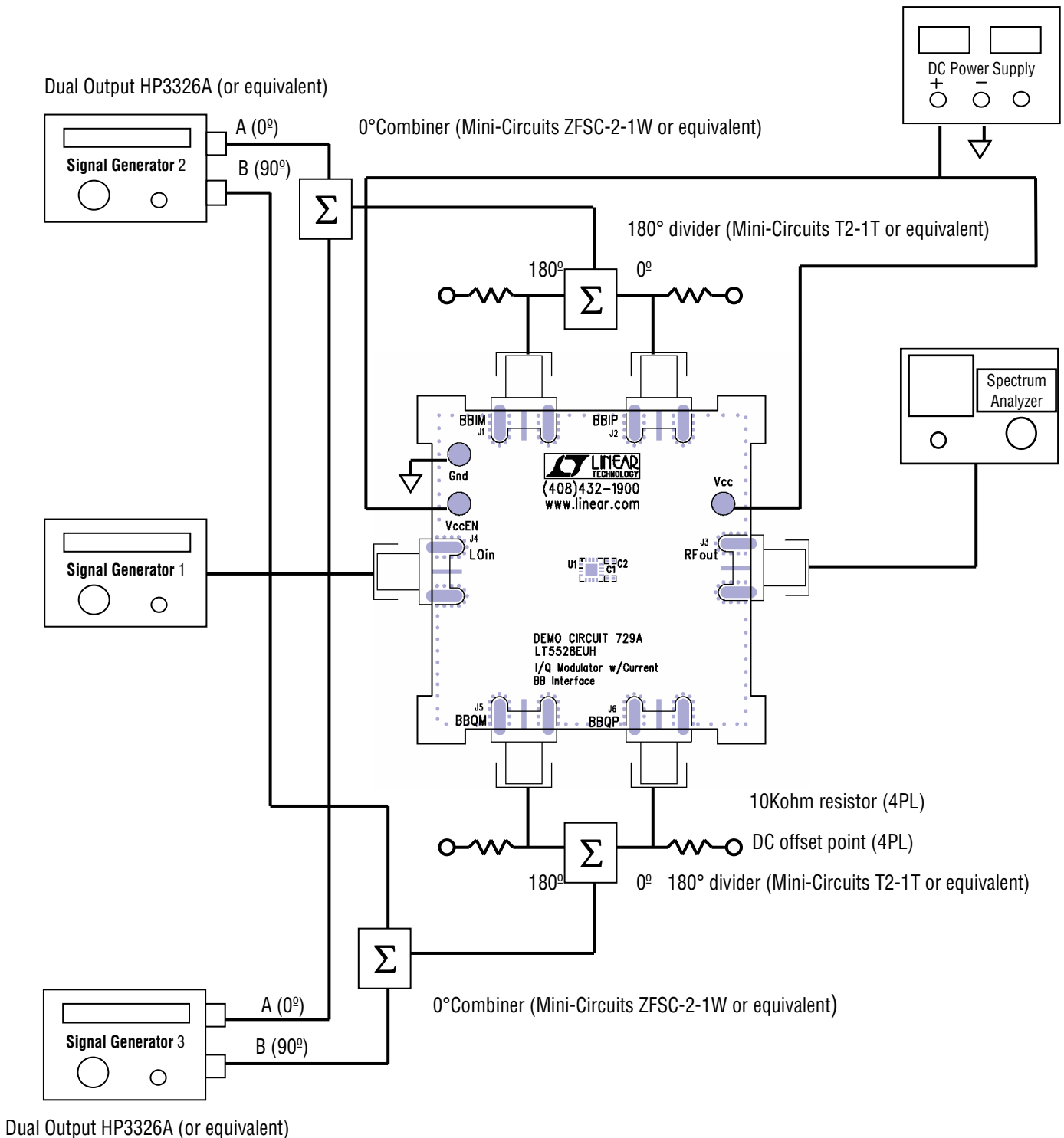
Demonstration circuit 729 is easy to set up to evaluate the performance of the LT[®]5528. Refer to Figure 1 for proper measurement equipment setup.

Follow the procedure below:

1. Connect all test equipment as shown in Figure 1.
2. Set the DC power supply's current limit to 150mA, and adjust output voltage to 5V.
3. Connect Vcc to the 5V DC supply, and then connect VCCEN to 5V; the modulator is enabled (on).
4. Set Signal Generator #1 to provide a 2000MHz, 0dBm, CW signal to the demo board LO input port.
5. Set the Signal Generators #2 and #3 to provide two -10dBm CW signals to the combiner ports - one at 2MHz, and the other at 2.1MHz. For both generators, output B should lead output A by 90 degrees. These 2 signals must be in quadrature to drive the demo board properly. This is most conveniently accomplished by using signal generators with dual outputs with adjustable phase. An example is the HP3326A shown in Figure 1.
6. To measure 3rd order distortion and conversion gain, set the Spectrum Analyzer start and stop frequencies to 2001.8MHz and 2002.3MHz, respectively. Sufficient spectrum analyzer input attenuation should be used to avoid distortion in the instrument.
7. The 3rd order intercept point is equal to $(P_1 - P_3) / 2 + P_1$, where P_1 is the average power level of the two fundamental output tones at 2002MHz and 2002.1MHz; P_3 is the average power level of the two 3rd order products at 2001.9MHz and 2002.2MHz. All units are in dBm.
8. To measure 2nd order distortion, set the Spectrum Analyzer start and stop frequencies to 2204MHz and 2206MHz, respectively. Sufficient spectrum analyzer input attenuation should be used to avoid distortion in the instrument.
9. The 2nd order intercept point is equal to $P_1 - P_2 + P_1$, where P_1 is the power level of the fundamental output tone at 2002MHz, P_2 is the 2nd order product at 2204.1MHz. All units are in dBm.

QUICK START GUIDE FOR DEMONSTRATION CIRCUIT 729 HIGH LINEARITY DIRECT QUADRATURE MODULATOR

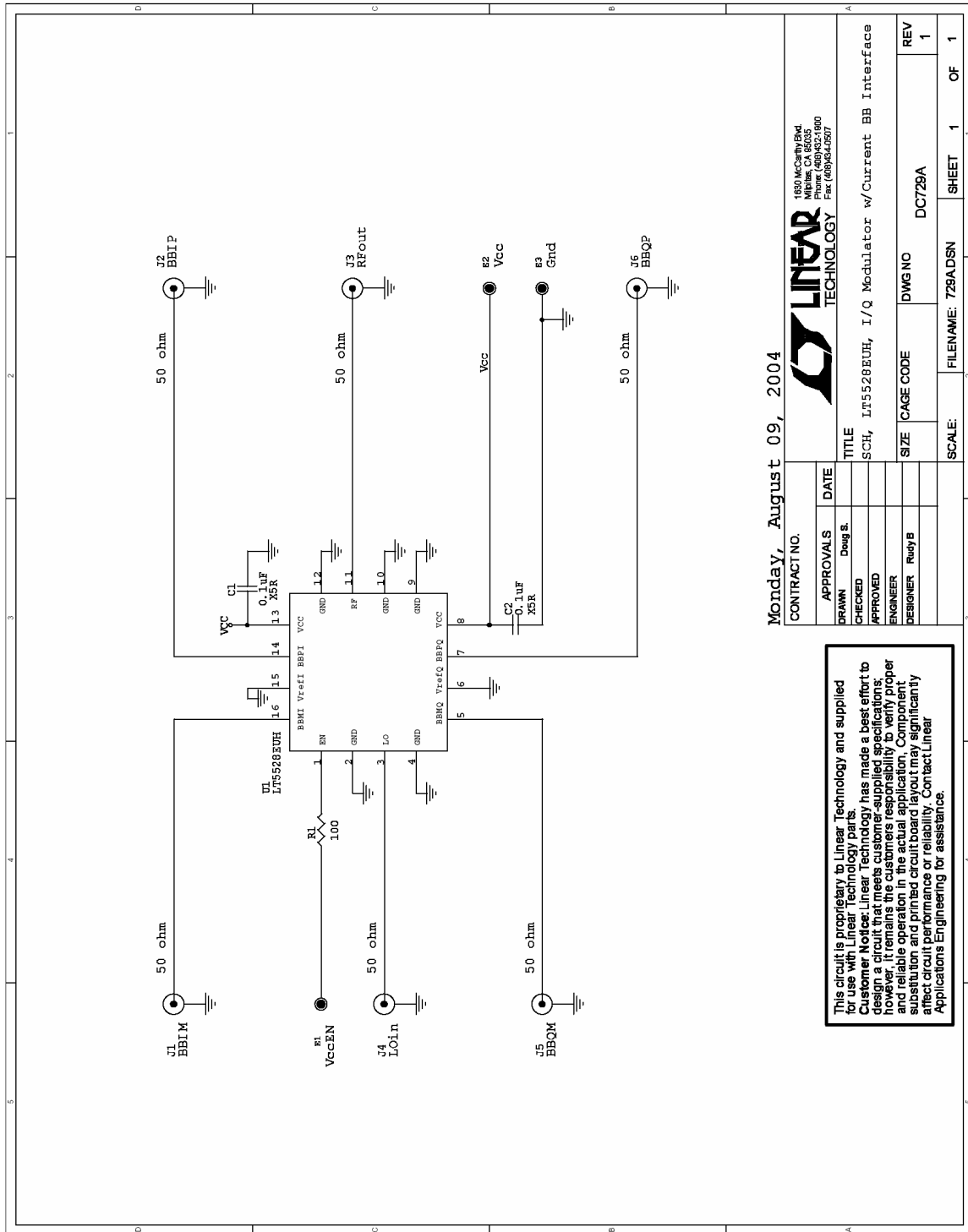
Figure 1. Proper Measurement Equipment Setup



Dual Output HP3326A (or equivalent)

QUICK START GUIDE FOR DEMONSTRATION CIRCUIT 729

HIGH LINEARITY DIRECT QUADRATURE MODULATOR



Monday, August 09, 2004

CONTRACT NO.

APPROVALS	DATE
DRAWN	Deag S.
CHECKED	
APPROVED	
ENGINEER	
DESIGNER	Rudy B



1600 McColl Rd
Milpitas, CA 95035
Phone: (408)432-1800
Fax: (408)434-2607

TITLE	SIZE	CAGE CODE	DWG NO	REV
SCHEMATIC, LT5528EUH, I/Q Modulator w/Current BB Interface			DC729A	1

SCALE:	FILENAME:	SHEET	OF
	729ADSN	1	1

This circuit is proprietary to Linear Technology and supplied for use with Linear Technology parts. Customer Modification of Linear Technology parts is not recommended. However, it remains the customer's responsibility to verify proper and reliable operation in the actual application. Component substitution and printed circuit board layout may significantly affect circuit performance or reliability. Contact Linear Applications Engineering for assistance.

Mouser Electronics

Authorized Distributor

Click to View Pricing, Inventory, Delivery & Lifecycle Information:

[Analog Devices Inc.:](#)

[DC729A](#)