

# 40V Low I<sub>Q</sub>, 3MHz Dual, 2-Phase Synchronous Step-Down Controller with Spread Spectrum

## FEATURES

- **Wide Input Voltage Range: 4.5V to 40V**
- **Wide Output Voltage Range: 0.8V to 99% • V<sub>IN</sub>**
- **Low Operating I<sub>Q</sub>: 14μA (14V to 3.3V, Channel 1 On)**
- **Spread Spectrum Operation**
- **R<sub>SENSE</sub> or DCR Current Sensing**
- **Out-of-Phase Controllers Reduce Required Input Capacitance and Power Supply Induced Noise**
- **Programmable Fixed Frequency (100kHz to 3MHz)**
- **Phase-Lockable Frequency (100kHz to 3MHz)**
- **Selectable Continuous, Pulse-Skipping, or Low Ripple, Burst Mode® Operation at Light Loads**
- **Very Low Dropout Operation: 99% Duty Cycle**
- **Power Good Output Voltage Monitors**
- **Output Overvoltage Protection**
- **Internal LDO Powers Gate Drive from V<sub>IN</sub> or EXT<sub>VCC</sub>**
- **Low Shutdown I<sub>Q</sub>: 1.5μA**
- **Small 28-Lead 4mm × 5mm QFN Package**

## APPLICATIONS

- Automotive and Transportation
- Industrial
- Military/Avionics

## DESCRIPTION

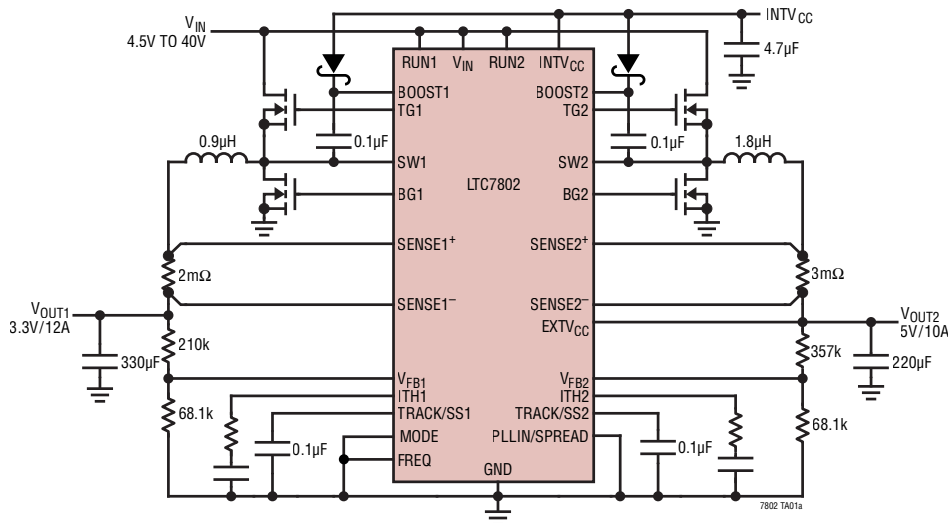
The **LTC®7802** is a high performance dual step-down synchronous DC/DC switching regulator controller that drives all N-channel power MOSFET stages. Constant frequency current mode architecture allows a phase-lockable switching frequency of up to 3MHz. The LTC7802 operates from a wide 4.5V to 40V input supply range. Power loss and supply noise are minimized by operating the two controller output stages out-of-phase.

The very low no-load quiescent current extends operating runtime in battery powered systems. OPTI-LOOP compensation allows the transient response to be optimized over a wide range of output capacitance and ESR values. The LTC7802 features a precision 0.8V reference and power good output indicators. The MODE pin selects among Burst Mode operation, pulse-skipping mode, or continuous inductor current mode at light loads.

The LTC7802 additionally features spread spectrum operation which significantly reduces the peak radiated and conducted noise on both the input and output supplies, making it easier to comply with electromagnetic interference (EMI) standards.

All registered trademarks and trademarks are the property of their respective owners.

## TYPICAL APPLICATION



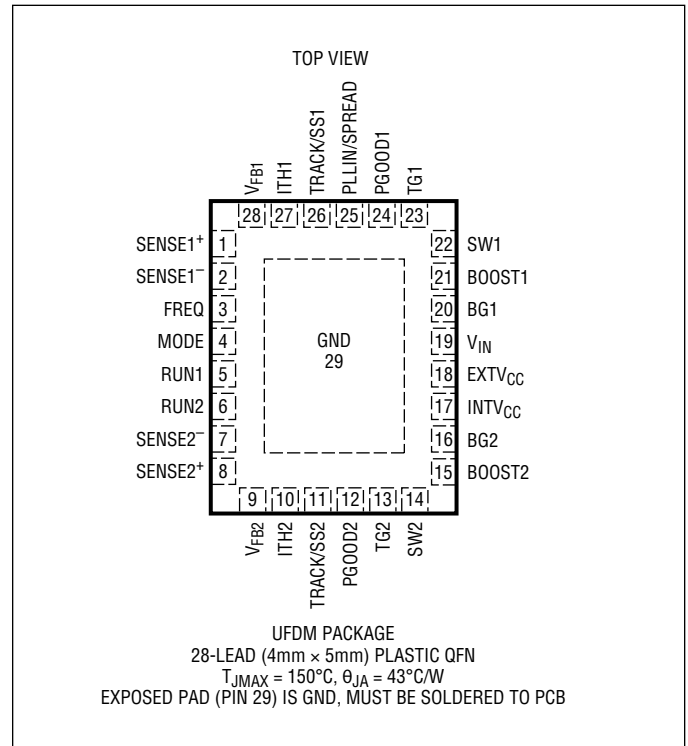
# LTC7802

## ABSOLUTE MAXIMUM RATINGS

(Note 1)

|  |                |
|--|----------------|
| Input Supply Voltage ( $V_{IN}$ )                  | -0.3V to 40V   |
| BOOST1, BOOST2                                     | -0.3V to 46V   |
| Switch Voltage (SW1, SW2)                          | -5V to 40V     |
| RUN1, RUN2 Voltages                                | -0.3V to 40V   |
| EXTV <sub>CC</sub> Voltage                         | -0.3V to 30V   |
| INTV <sub>CC</sub> Voltage                         | -0.3V to 6V    |
| (BOOST1-SW1), (BOOST2-SW2)                         | -0.3V to 6V    |
| SENSE1 <sup>+</sup> , SENSE1 <sup>-</sup> Voltages | -0.3V to 40V   |
| SENSE2 <sup>+</sup> , SENSE2 <sup>-</sup> Voltages | -0.3V to 40V   |
| TRACK/SS1, $V_{FB1}$ Voltages                      | -0.3V to 6V    |
| TRACK/SS2, $V_{FB2}$ Voltages                      | -0.3V to 6V    |
| MODE, PGOOD1, PGOOD2 Voltages                      | -0.3V to 6V    |
| PLLIN/SPREAD, FREQ Voltages                        | -0.3V to 6V    |
| ITH1, ITH2 Voltages                                | -0.3V to 2V    |
| BG1, BG2, TG1, TG2                                 | (Note 9)       |
| Operating Junction Temperature Range (Notes 2, 8)  |                |
| LTC7802E, LTC7802I                                 | -40°C to 125°C |
| LTC7802J, LTC7802H                                 | -40°C to 150°C |
| Storage Temperature Range                          | -65°C to 150°C |

## PIN CONFIGURATION



## ORDER INFORMATION

| LEAD FREE FINISH             | TAPE AND REEL       | PART MARKING* | PACKAGE DESCRIPTION             | TEMPERATURE RANGE |
|------------------------------|---------------------|---------------|---------------------------------|-------------------|
| LTC7802EUFDN#PBF             | LTC7802EUFDN#TRPBF  | 7802          | 28-Lead (4mm × 5mm) Plastic QFN | -40°C to 125°C    |
| <b>AUTOMOTIVE PRODUCTS**</b> |                     |               |                                 |                   |
| LTC7802IUFDN#WPBF            | LTC7802IUFDN#WTRPBF | 7802          | 28-Lead (4mm × 5mm) Plastic QFN | -40°C to 125°C    |
| LTC7802JUFDN#WPBF            | LTC7802JUFDN#WTRPBF | 7802          | 28-Lead (4mm × 5mm) Plastic QFN | -40°C to 150°C    |
| LTC7802HUFDN#WPBF            | LTC7802HUFDN#WTRPBF | 7802          | 28-Lead (4mm × 5mm) Plastic QFN | -40°C to 150°C    |

Contact the factory for parts specified with wider operating temperature ranges. \*The temperature grade is identified by a label on the shipping container.

**Tape and reel specifications.** Some packages are available in 500 unit reels through designated sales channels with #TRMPBF suffix.

\*\*Versions of this part are available with controlled manufacturing to support the quality and reliability requirements of automotive applications. These models are designated with a #W suffix. Only the automotive grade products shown are available for use in automotive applications. Contact your local Analog Devices account representative for specific product ordering information and to obtain the specific Automotive Reliability reports for these models.

**ELECTRICAL CHARACTERISTICS** The ● denotes the specifications which apply over the full operating temperature range, otherwise specifications are at  $T_A = 25^\circ\text{C}$ ,  $V_{IN} = 12\text{V}$ ,  $\text{RUN}_{1,2} > 1.25\text{V}$ ,  $\text{EXTV}_{CC} = 0\text{V}$ , unless otherwise noted. (Note 2)

| SYMBOL                                    | PARAMETER   | CONDITIONS   | MIN              | TYP               | MAX                | UNITS  |
|---|---|--|------------------|-------------------|--------------------|--|
| <b>Input Supply (<math>V_{IN}</math>)</b> |   |  |                  |                   |                    |  |
| $V_{IN}$                                  | Input Supply Operating Range  |  | 4.5              |                   | 40                 | V  |
| $I_{VIN}$                                 | $V_{IN}$ Current in Regulation  | Front Page Circuit, 14V to 3.3V, No Load, $\text{RUN}_2 = 0\text{V}$   |                  | 14                |                    | $\mu\text{A}$  |
| <b>Controller Operation</b>               |   |  |                  |                   |                    |  |
| $V_{OUT1,2}$                              | Output Voltage Operating Range  |  | 0.8              |                   | 40                 | V  |
| $V_{FB1,2}$                               | Regulated Feedback Voltage  | (Note 4) $V_{IN} = 4.5\text{V}$ to $40\text{V}$ , $I_{TH1,2}$ Voltage = $0.6\text{V}$ to $1.2\text{V}$ , $0^\circ\text{C}$ to $85^\circ\text{C}$ , All Grades  | ● 0.788<br>0.792 | 0.800<br>0.800    | 0.812<br>0.808     | V<br>V   |
|   | Feedback Current  |  |                  | $\pm 5$           | $\pm 50$           | nA   |
|   | Feedback Overvoltage Protection Threshold   | Measured at $V_{FB1,2}$ Relative to Regulated $V_{FB1,2}$  | 7                | 10                | 13                 | %  |
| $g_{m1,2}$                                | Transconductance Amplifier $g_m$  | (Note 4) $I_{TH1,2} = 1.2\text{V}$ , Sink/Source = $5\mu\text{A}$  |                  | 1.8               |                    | mmho   |
| $V_{SENSE(MAX)}$                          | Maximum Current Sense Threshold   | $V_{FB1,2} = 0.7\text{V}$ , $V_{SENSE1,2^-} = 3.3\text{V}$   | ● 45             | 50                | 55                 | mV   |
|   | Matching Between Channels   | $V_{SENSE1,2^-} = 3.3\text{V}$   | -3.5             | 0                 | 3.5                | mV   |
| $I_{SENSE1,2^+}$                          | SENSE1, 2 <sup>+</sup> Pin Current  | $V_{SENSE1,2^+} = 3.3\text{V}$   |                  |                   | $\pm 1$            | $\mu\text{A}$  |
| $I_{SENSE1^-}$                            | SENSE1 <sup>-</sup> Pin Current   | $V_{SENSE1^-} \leq 2.8\text{V}$<br>$3.2\text{V} \leq V_{SENSE1^-} < \text{INTV}_{CC} - 0.5\text{V}$<br>$V_{SENSE1^-} > \text{INTV}_{CC} + 0.5\text{V}$   |                  | 1<br>50<br>700    |                    | $\mu\text{A}$<br>$\mu\text{A}$<br>$\mu\text{A}$                  |
| $I_{SENSE2^-}$                            | SENSE2 <sup>-</sup> Pin Current   | $V_{SENSE2^-} = 3.3\text{V}$<br>$V_{SENSE2^-} > \text{INTV}_{CC} + 0.5\text{V}$  |                  | 650               | $\pm 2$            | $\mu\text{A}$<br>$\mu\text{A}$                                   |
|   | Soft-Start Charge Current   | $V_{TRACK/SS1,2} = 0\text{V}$  | 10               | 12.5              | 15                 | $\mu\text{A}$  |
|   | RUN Pin ON Threshold  | $V_{RUN1,2}$ Rising  | ● 1.15           | 1.20              | 1.25               | V  |
|   | RUN Pin Hysteresis  |  |                  | 100               |                    | mV   |
| <b>DC Supply Current (Note 5)</b>         |   |  |                  |                   |                    |  |
|   | $V_{IN}$ Shutdown Current   | $\text{RUN}_{1,2} = 0\text{V}$   |                  | 1.5               |                    | $\mu\text{A}$  |
|   | $V_{IN}$ Sleep Mode Current   | $V_{SENSE1^-} < 3.2\text{V}$ , $\text{EXTV}_{CC} = 0\text{V}$<br>One Channel On<br>Both Channels On  |                  | 15<br>18          | 24<br>30           | $\mu\text{A}$<br>$\mu\text{A}$                                   |
|   | Sleep Mode Current (Note 3)<br>Only Channel 1 On  | $V_{SENSE1^-} \geq 3.2\text{V}$<br>$V_{IN}$ Current, $\text{EXTV}_{CC} = 0\text{V}$<br>$V_{IN}$ Current, $\text{EXTV}_{CC} \geq 4.8\text{V}$<br>$\text{EXTV}_{CC}$ Current, $\text{EXTV}_{CC} \geq 4.8\text{V}$<br>SENSE1 <sup>-</sup> Current |                  | 5<br>1<br>5<br>10 | 9<br>4<br>10<br>18 | $\mu\text{A}$<br>$\mu\text{A}$<br>$\mu\text{A}$<br>$\mu\text{A}$ |
|   | Sleep Mode Current (Note 3)<br>Both Channels On   | $V_{SENSE1^-} \geq 3.2\text{V}$ , $\text{EXTV}_{CC} \geq 4.8\text{V}$<br>$V_{IN}$ Current<br>$\text{EXTV}_{CC}$ Current<br>SENSE1 <sup>-</sup> Current   |                  | 1<br>7<br>12      | 4<br>14<br>22      | $\mu\text{A}$<br>$\mu\text{A}$<br>$\mu\text{A}$                  |
|   | Pulse-Skipping or Forced Continuous Mode<br>$V_{IN}$ or $\text{EXTV}_{CC}$ Current (Note 3) | One Channel On<br>Both Channels On   |                  | 2<br>3            |                    | mA<br>mA   |

## ELECTRICAL CHARACTERISTICS

The ● denotes the specifications which apply over the full operating temperature range, otherwise specifications are at  $T_A = 25^\circ\text{C}$ ,  $V_{IN} = 12\text{V}$ ,  $\text{RUN}_{1,2} > 1.25\text{V}$ ,  $\text{EXTV}_{CC} = 0\text{V}$ , unless otherwise noted. (Note 2)

| SYMBOL  | PARAMETER   | CONDITIONS   | MIN    | TYP        | MAX     | UNITS                |               |
|---|---|--|--------|------------|---------|----------------------|---------------|
| <b>Gate Drivers</b>   |   |  |        |            |         |                      |               |
|   | TG or BG On-Resistance                                      | Pull-Up<br>Pull-Down   |        | 2.0<br>1.0 |         | $\Omega$<br>$\Omega$ |               |
|   | TG or BG Transition Time                                    | (Note 6)   |        |            |         |                      |               |
|   | Rise Time   | $C_{LOAD} = 3300\text{pF}$   |        | 25         |         | ns                   |               |
|   | Fall Time   | $C_{LOAD} = 3300\text{pF}$   |        | 15         |         | ns                   |               |
|   | TG Off to BG On Delay<br>Synchronous Switch-On Delay Time   | $C_{LOAD} = 3300\text{pF}$ Each Driver                                   |        | 15         |         | ns                   |               |
|   | BG Off to TG On Delay<br>Top Switch-On Delay Time           | $C_{LOAD} = 3300\text{pF}$ Each Driver                                   |        | 15         |         | ns                   |               |
| $t_{ON(MIN)1,2}$  | TG Minimum On-Time  | (Note 7)   |        | 40         |         | ns                   |               |
|   | Maximum Duty Factor for TG                                  | $f_{OSC} = 350\text{kHz}$  | 98     | 99         |         | %                    |               |
| <b>INTV<sub>CC</sub> Low Dropout (LDO) Linear Regulator</b> |   |  |        |            |         |                      |               |
|   | INTV <sub>CC</sub> Regulation Point                         |  | 4.9    | 5.1        | 5.3     | V                    |               |
|   | INTV <sub>CC</sub> Load Regulation                          | $I_{CC} = 0\text{mA}$ to $100\text{mA}$ , $V_{IN} \geq 6\text{V}$        |        | 1.2        | 2       | %                    |               |
|   |   | $I_{CC} = 0\text{mA}$ to $100\text{mA}$ , $V_{EXTV_{CC}} \geq 6\text{V}$ |        | 1.2        | 2       | %                    |               |
|   | EXTV <sub>CC</sub> LDO Switchover Voltage                   | EXTV <sub>CC</sub> Rising  | 4.5    | 4.7        | 4.8     | V                    |               |
|   | EXTV <sub>CC</sub> Switchover Hysteresis                    |  |        | 250        |         | mV                   |               |
| UVLO  | Undervoltage Lockout  | INTV <sub>CC</sub> Rising  | ● 4.10 | 4.20       | 4.35    | V                    |               |
|   |   | INTV <sub>CC</sub> Falling   | ● 3.75 | 3.85       | 4.00    | V                    |               |
| <b>Spread Spectrum Oscillator and Phase-Locked Loop</b>     |   |  |        |            |         |                      |               |
| $f_{OSC}$   | Low Fixed Frequency   | $V_{FREQ} = 0\text{V}$ , $\text{PLLIN/SPREAD} = 0\text{V}$               |        | 320        | 350     | 380                  | kHz           |
|   | High Fixed Frequency  | $V_{FREQ} = \text{INTV}_{CC}$ , $\text{PLLIN/SPREAD} = 0\text{V}$        | ●      | 2.0        | 2.25    | 2.5                  | MHz           |
|   | Programmable Frequency                                      | $R_{FREQ} = 374\text{k}\Omega$ , $\text{PLLIN/SPREAD} = 0\text{V}$       |        | 450        | 100     | 550                  | kHz           |
|   |   | $R_{FREQ} = 75\text{k}\Omega$ , $\text{PLLIN/SPREAD} = 0\text{V}$        |        |            | 500     | 3                    | kHz           |
|   |   | $R_{FREQ} = 12.1\text{k}\Omega$ , $\text{PLLIN/SPREAD} = 0\text{V}$      |        |            |         |                      | MHz           |
|   | Synchronizable Frequency Range                              | $\text{PLLIN/SPREAD} = \text{External Clock}$                            | ●      | 0.1        |         | 3                    | MHz           |
|   | PLLIN Input High Level                                      |  | ●      | 2.2        |         |                      | V             |
|   | PLLIN Input Low Level                                       |  | ●      |            |         | 0.5                  | V             |
|   | Spread Spectrum Frequency Range<br>(Relative to $f_{OSC}$ ) | $\text{PLLIN/SPREAD} = \text{INTV}_{CC}$                                 |        |            | -12     |                      | %             |
|   |   | Minimum Frequency  |        |            | 15      |                      | %             |
|   |   | Maximum Frequency  |        |            |         |                      | %             |
| <b>PGOOD1 and PGOOD2 Outputs</b>                            |   |  |        |            |         |                      |               |
|   | PGOOD Voltage Low   | $I_{PGOOD1,2} = 2\text{mA}$  |        | 0.2        | 0.4     |                      | V             |
|   | PGOOD Leakage Current                                       | $V_{PGOOD1,2} = 5\text{V}$   |        |            | $\pm 1$ |                      | $\mu\text{A}$ |
|   | PGOOD Trip Level  | $V_{FB}$ Rising  |        | 7          | 10      | 13                   | %             |
|   | $V_{FB}$ Relative to Set Regulation Point                   | Hysteresis   |        |            | 2.5     |                      | %             |
|   |   | $V_{FB}$ Falling   |        | -13        | -10     | -7                   | %             |
|   |   | Hysteresis   |        |            | 2.5     |                      | %             |
|   | PGOOD Delay for Reporting a Fault                           |  |        | 25         |         |                      | $\mu\text{s}$ |

## ELECTRICAL CHARACTERISTICS

**Note 1:** Stresses beyond those listed under Absolute Maximum Ratings may cause permanent damage to the device. Exposure to any Absolute Maximum Rating condition for extended periods may affect device reliability and lifetime.

**Note 2:** The LTC7802 is tested under pulsed load conditions such that  $T_J \approx T_A$ . The LTC7802E is guaranteed to meet specifications from 0°C to 85°C junction temperature. Specifications over the –40°C to 125°C operating junction temperature range are assured by design, characterization and correlation with statistical process controls. The LTC7802I is guaranteed over the –40°C to 125°C operating junction temperature range, and the LTC7802J/LTC7802H are guaranteed over the –40°C to 150°C operating junction temperature range. High junction temperatures degrade operating lifetimes; operating lifetime is derated for junction temperatures greater than 125°C. Note that the maximum ambient temperature consistent with these specifications is determined by specific operating conditions in conjunction with board layout, the rated package thermal impedance and other environmental factors. The junction temperature ( $T_J$ , in °C) is calculated from the ambient temperature ( $T_A$ , in °C) and power dissipation ( $P_D$ , in Watts) according to the formula:  $T_J = T_A + (P_D \cdot \theta_{JA})$ , where  $\theta_{JA}$  (in °C/W) is the package thermal impedance.

**Note 3:** When  $SENSE1^- \geq 3.2V$  or  $EXTV_{CC} \geq 4.8V$ ,  $V_{IN}$  supply current is transferred to these pins to reduce the total input supply quiescent current.  $SENSE1^-$  bias current is reflected to the channel 1 input supply by the formula  $I_{VIN1} = I_{SENSE1^-} \cdot V_{OUT1} / (V_{IN1} \cdot \eta)$ , where  $\eta$  is the efficiency.  $EXTV_{CC}$  bias current is similarly reflected to the input supply when biased by an output. To minimize input supply current, select channel 1 to be the

lowest output voltage greater than 3.2V and connect  $EXTV_{CC}$  to the lowest output voltage greater than 4.8V

**Note 4:** The LTC7802 is tested in a feedback loop that servos  $V_{ITH1,2}$  to a specified voltage and measures the resultant  $V_{FB1,2}$ . The specification at 85°C is not tested in production and is assured by design, characterization and correlation to production testing at other temperatures (125°C for the LTC7802E/LTC7802I, 150°C for the LTC7802J/LTC7802H).

**Note 5:** Dynamic supply current is higher due to the gate charge being delivered at the switching frequency. See Applications Information.

**Note 6:** Rise and fall times are measured using 10% and 90% levels. Delay times are measured using 50% levels.

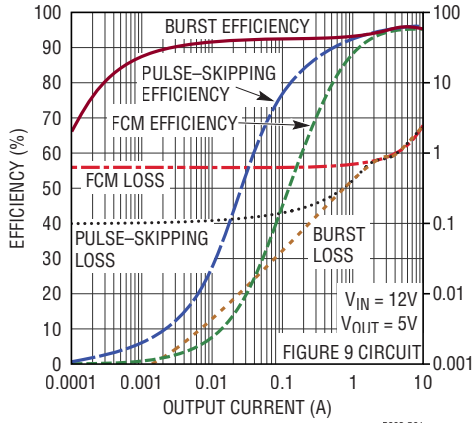
**Note 7:** The minimum on-time condition is specified for an inductor peak-to-peak ripple current >40% of  $I_{L(MAX)}$  (See Minimum On-Time Considerations in the Applications Information section).

**Note 8:** This IC includes overtemperature protection that is intended to protect the device during momentary overload conditions. The maximum rated junction temperature will be exceeded when this protection is active. Continuous operation above the specified absolute maximum operating junction temperature may impair device reliability or permanently damage the device.

**Note 9:** Do not apply a voltage or current source to these pins. They must be connected to capacitive loads only, otherwise permanent damage may occur.

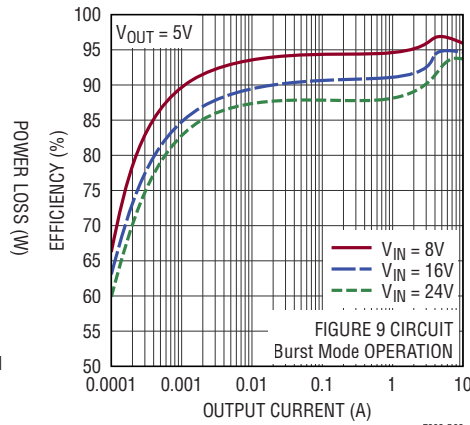
## TYPICAL PERFORMANCE CHARACTERISTICS

### Efficiency and Power Loss vs Load Current



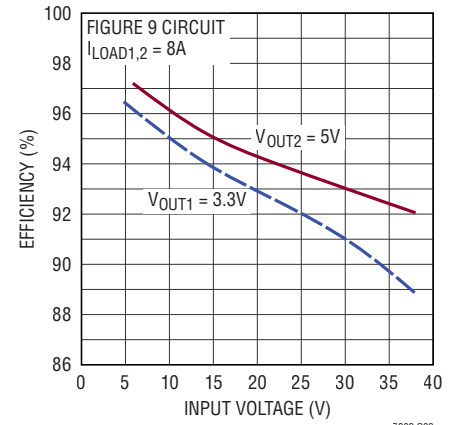
7802 G01

### Efficiency vs Load Current



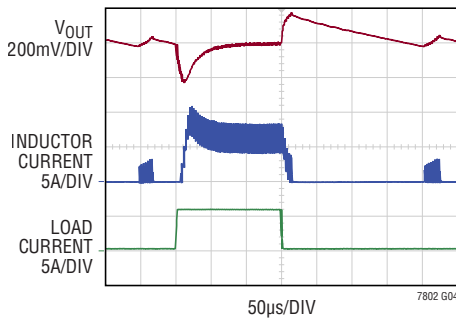
7802 G02

### Efficiency vs Input Voltage



7802 G03

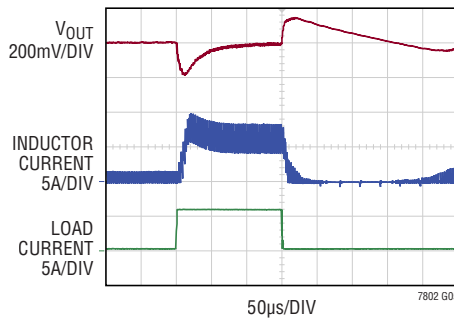
### Load Step Burst Mode Operation



7802 G04

$V_{IN} = 12V$   
 $V_{OUT} = 5V$   
 300mA TO 6A LOAD STEP  
 FIGURE 9 CIRCUIT

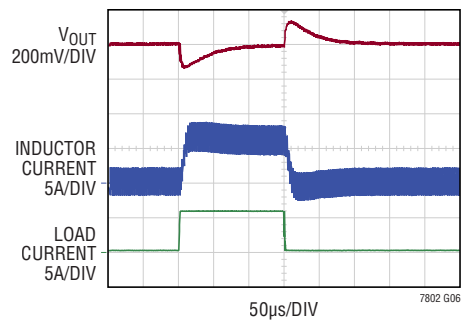
### Load Step Pulse-Skipping Mode



7802 G05

$V_{IN} = 12V$   
 $V_{OUT} = 5V$   
 300mA TO 6A LOAD STEP  
 FIGURE 9 CIRCUIT

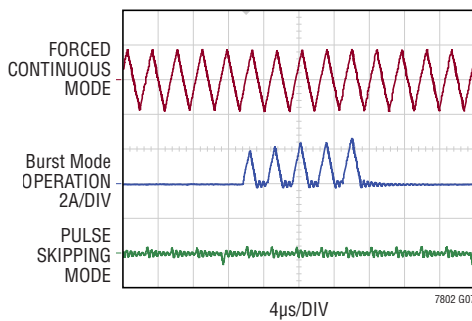
### Load Step Forced Continuous Mode



7802 G06

$V_{IN} = 12V$   
 $V_{OUT} = 5V$   
 300mA TO 6A LOAD STEP  
 FIGURE 9 CIRCUIT

### Inductor Current at Light Load



7802 G07

$V_{IN} = 10V$   
 $V_{OUT} = 5V$   
 NO LOAD  
 FIGURE 9 CIRCUIT

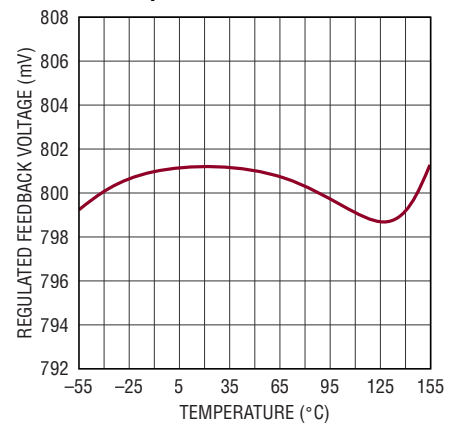
### Soft Start-Up



7802 G08

$V_{IN} = 10V$   
 FIGURE 9 CIRCUIT

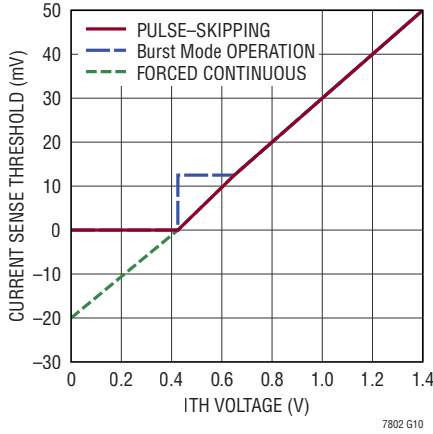
### Regulated Feedback Voltage vs Temperature



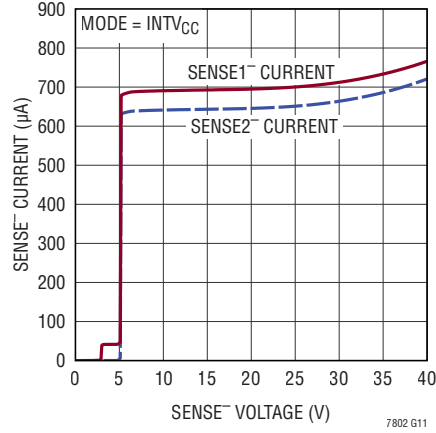
7802 G09

# TYPICAL PERFORMANCE CHARACTERISTICS

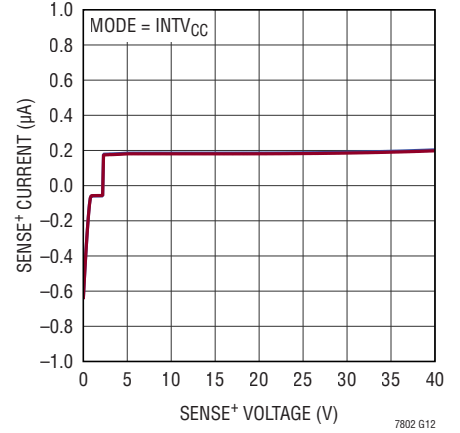
**Current Sense Threshold vs ITH Voltage**



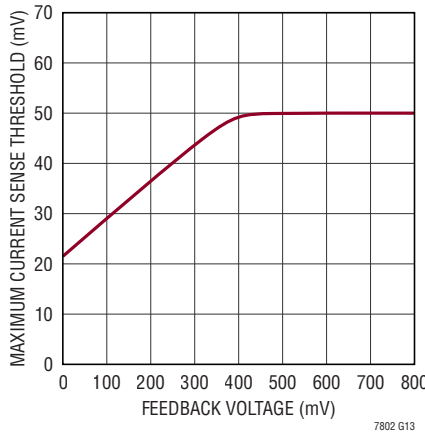
**SENSE1,2<sup>-</sup> Input Current vs V<sub>SENSE</sub> Voltage**



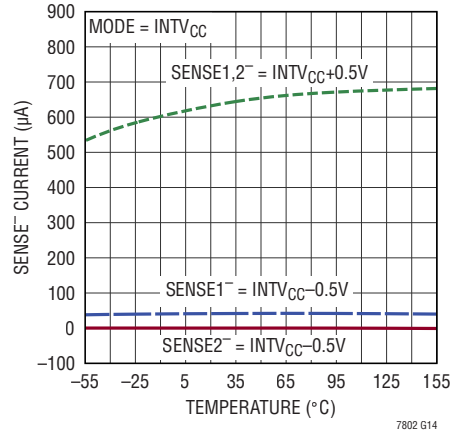
**SENSE1,2<sup>+</sup> Input Current vs V<sub>SENSE</sub> Voltage**



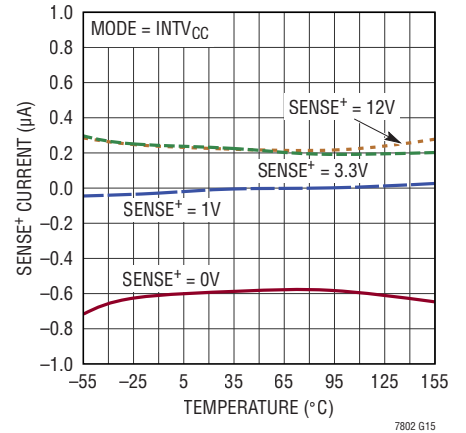
**Foldback Current Limit**



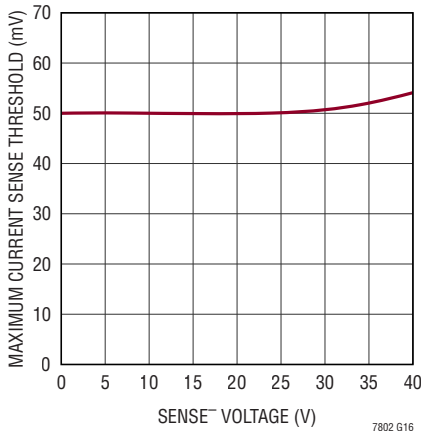
**SENSE1,2<sup>-</sup> Input Current vs Temperature**



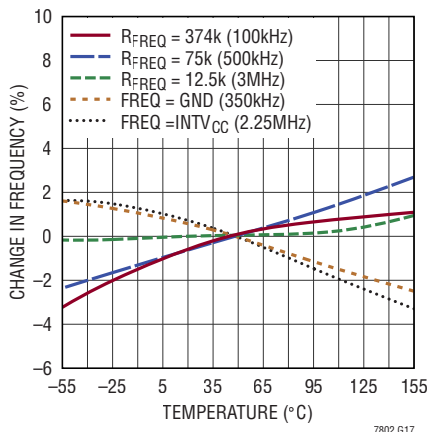
**SENSE1,2<sup>+</sup> Input Current vs Temperature**



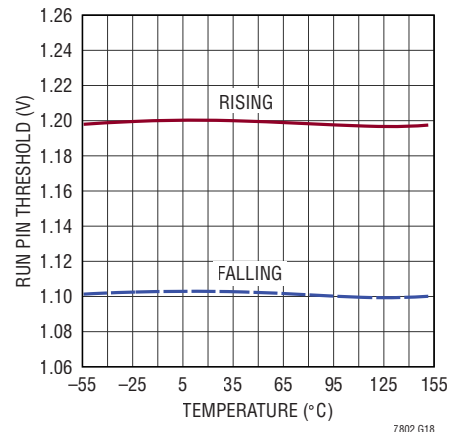
**Maximum Current Sense Threshold vs SENSE<sup>-</sup> Voltage**



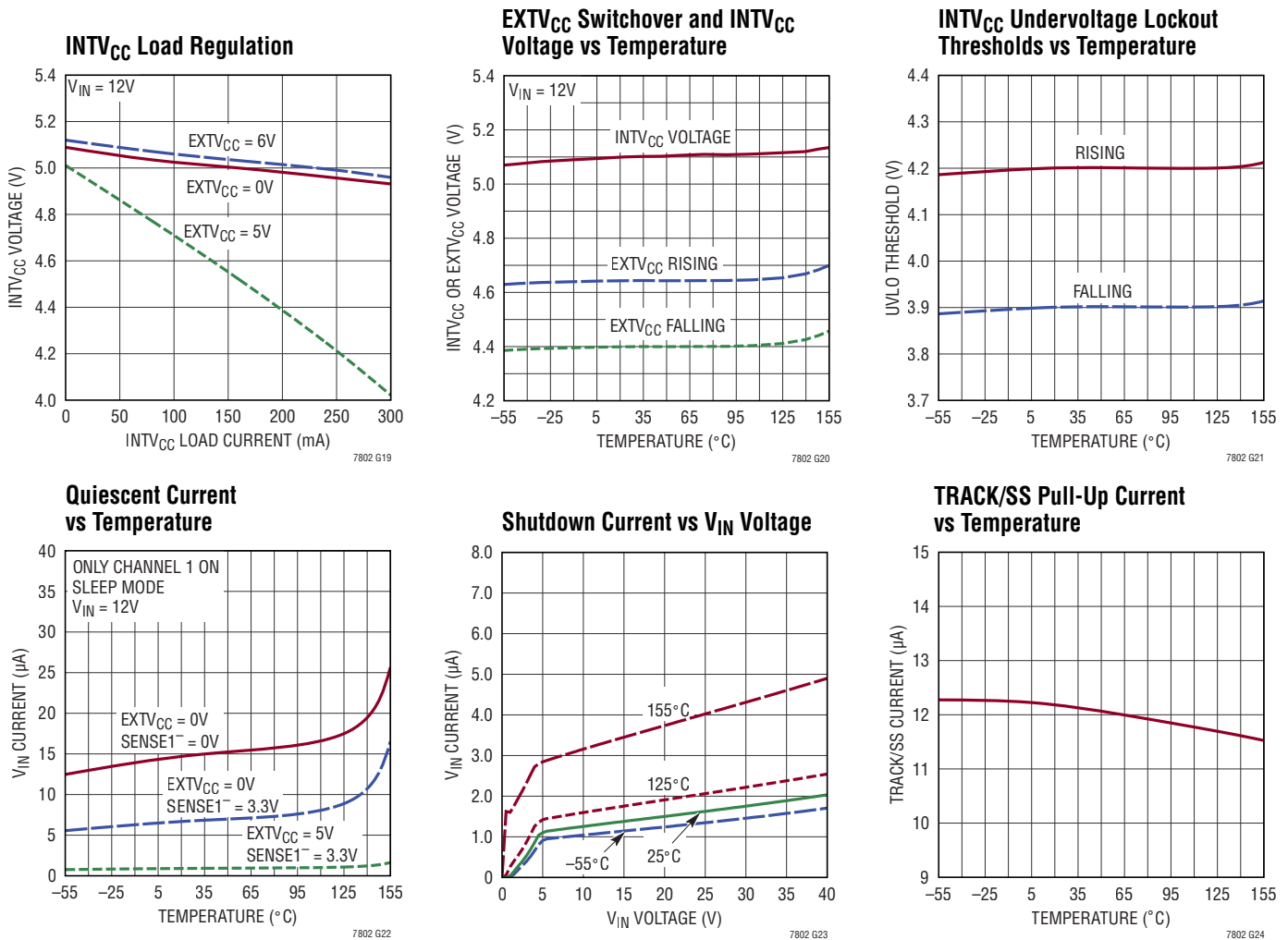
**Oscillator Frequency vs Temperature**



**RUN Pin Thresholds vs Temperature**



## TYPICAL PERFORMANCE CHARACTERISTICS



## PIN FUNCTIONS

**SENSE1<sup>+</sup>, SENSE2<sup>+</sup> (Pins 1,8):** The Positive (+) Input to the Differential Current Comparators. The ITH pin voltage and controlled offsets between the SENSE<sup>-</sup> and SENSE<sup>+</sup> pins in conjunction with R<sub>SENSE</sub> set the current trip threshold.

**SENSE1<sup>-</sup>, SENSE2<sup>-</sup> (Pins 2,7):** The Negative (-) Input to the Differential Current Comparators. The SENSE<sup>-</sup> pins supply current to the current comparators when they are greater than INTV<sub>CC</sub>. When SENSE1<sup>-</sup> is 3.2V or greater, it also supplies the majority of the sleep mode quiescent current instead of V<sub>IN</sub>, further reducing the input-referred quiescent current.

**FREQ (Pin 3):** Frequency Control Pin for the Internal Oscillator. Connect to ground to set the switching frequency to 350kHz. Connect to INTV<sub>CC</sub> to set the switching frequency to 2.25MHz. Frequencies between 100kHz and 3MHz can be programmed using a resistor between the FREQ pin and ground. Minimize the capacitance on this pin.

**MODE (Pin 4):** Mode Select Input. This input, which acts on both channels, determines how the LTC7802 operates at light loads. Pulling this pin to ground selects Burst Mode operation. An internal 100k resistor to ground also invokes Burst Mode operation when the pin is floating.



## PIN FUNCTIONS

Tying this pin to  $INTV_{CC}$  forces continuous inductor current operation. Tying this pin to  $INTV_{CC}$  through a 100k resistor selects pulse-skipping operation.

**RUN1, RUN2 (Pins 5,6):** Run Control Inputs for Each Controller. Forcing either of these pins below 1.1V disables switching of the corresponding controller. Forcing both of these pins below 0.7V shuts down the entire LTC7802, reducing quiescent current to approximately 1.5 $\mu$ A. These pins can be tied to  $V_{IN}$  for always-on operation. Do not float the RUN pins.

**INTV<sub>CC</sub> (Pin 17):** Output of the Internal 5.1V Low Dropout Regulator. The driver and control circuits are powered by this supply. Must be decoupled to ground with a minimum of 4.7 $\mu$ F ceramic or tantalum capacitor.

**EXTV<sub>CC</sub> (Pin 18):** External Power Input to an Internal LDO Connected to  $INTV_{CC}$ . This LDO supplies  $INTV_{CC}$  power, bypassing the internal LDO powered from  $V_{IN}$  whenever  $EXTV_{CC}$  is higher than 4.7V. See  $INTV_{CC}$  Regulators in the Applications Information section. Do not exceed 30V on this pin. Connect this pin to ground if the  $EXTV_{CC}$  LDO is not used.

**V<sub>IN</sub> (Pin 19):** Main Bias Input Supply Pin. A bypass capacitor should be tied between this pin and GND.

**PLLIN/SPREAD (Pin 25):** External Synchronization Input and Spread Spectrum Selection. When an external clock is applied to this pin, the phase-locked loop will force the rising TG1 signal to be synchronized with the rising edge of the external clock. When an external clock is present, the regulators operate in pulse-skipping mode if it is selected by the MODE pin, or in forced continuous mode otherwise. When not synchronizing to an external clock, tie this input to  $INTV_{CC}$  to enable spread spectrum dithering of the oscillator or to ground to disable spread spectrum.

**BG1, BG2 (Pins 20,16):** High Current Gate Drives for Bottom (Synchronous) N-Channel MOSFETs. Voltage swing at these pins is from ground to  $INTV_{CC}$ .

**BOOST1, BOOST2 (Pins 21,15):** Bootstrapped Supplies to the Top Side Floating Drivers. Connect capacitors between the corresponding BOOST and SW pins for each channel. Also connect Schottky diodes between the BOOST1 and

$INTV_{CC}$  pins and the BOOST2 and  $INTV_{CC}$  pins. Voltage swing at the BOOST pins is from  $INTV_{CC}$  to  $(V_{IN} + INTV_{CC})$ .

**SW1, SW2 (Pins 22,14):** Switch Node Connections to Inductors.

**TG1, TG2 (Pins 23,13):** High Current Gate Drives for Top N Channel MOSFETs. These are the outputs of floating drivers with a voltage swing of  $INTV_{CC}$  superimposed on the switch node voltage SW.

**PGOOD1, PGOOD2 (Pins 24,12):** Open-Drain Power Good Outputs. The  $V_{FB1,2}$  pins are monitored to ensure that  $V_{OUT1,2}$  are in regulation. When  $V_{OUT}$  is not within  $\pm 10\%$  of its regulation point, the corresponding PGOOD pin is pulled low.

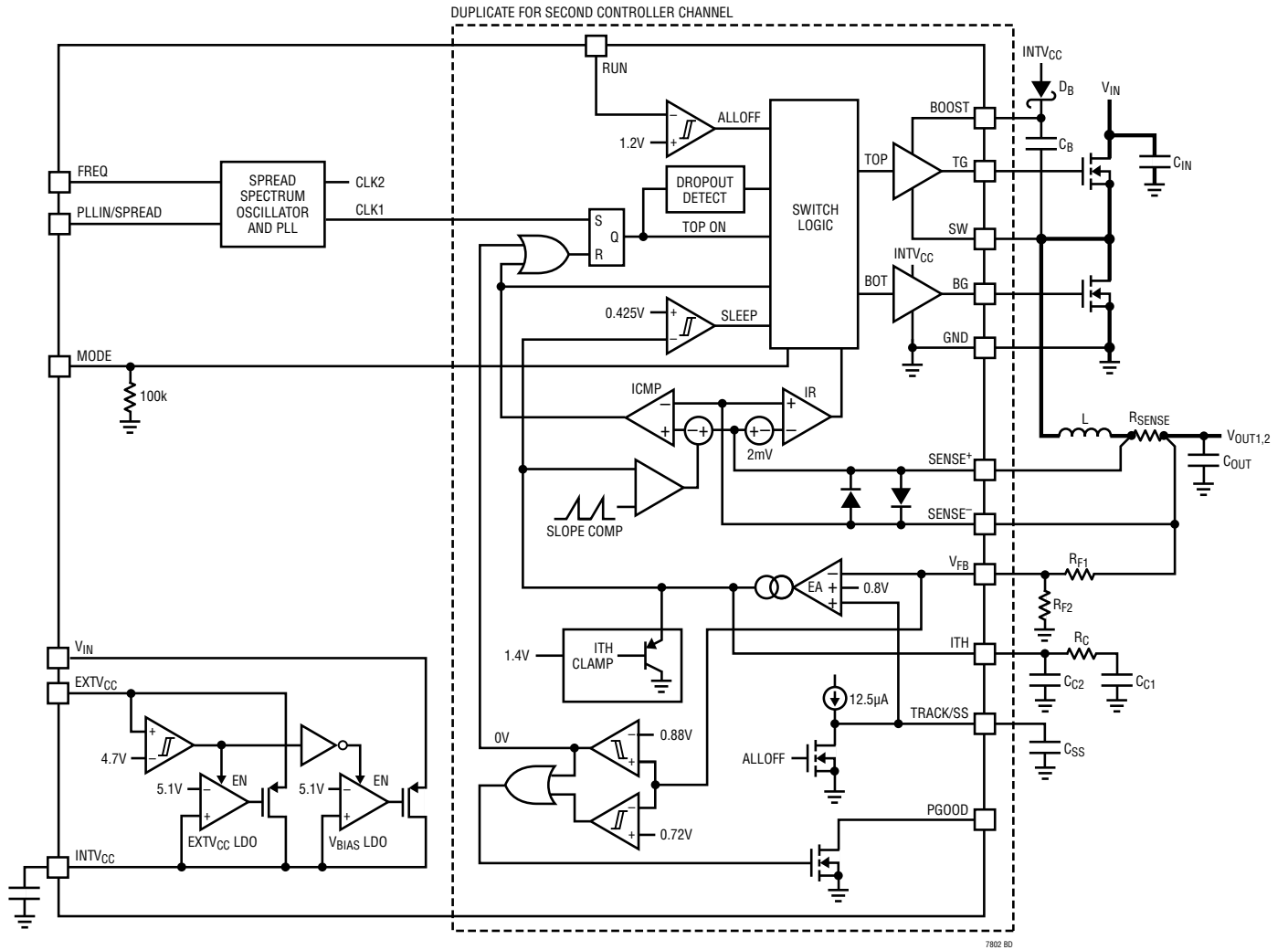
**TRACK/SS1, TRACK/SS2 (Pins 26,11):** External Tracking and Soft-Start Input. The LTC7802 regulates the  $V_{FB1,2}$  voltage to the lesser of 0.8V or the voltage on the TRACK/SS1,2 pin. Internal 12.5 $\mu$ A pull-up current sources are connected to these pins. A capacitor to ground sets the start-up ramp time to the final regulated output voltage. The ramp time is equal to 0.65ms for every 10nF of capacitance. Alternatively, a resistor divider on another voltage supply connected to the TRACK/SS pins allows the LTC7802 output to track the other supply during start-up.

**ITH1, ITH2 (Pins 27,10):** Error Amplifier Outputs and Switching Regulator Compensation Points. Each associated channel's current comparator trip point increases with this control voltage. Place compensation components between the ITH pins and ground.

**V<sub>FB1</sub>, V<sub>FB2</sub> (Pins 28,9):** Controller Feedback Inputs. Connect an external resistor divider between the output voltage and the  $V_{FB}$  pin to set the regulated output voltage. Tie  $V_{FB2}$  to  $INTV_{CC}$  to configure the channels for a 2-phase single output application, in which both channels share  $V_{FB1}$ , ITH1, and TRACK/SS1.

**GND (Exposed Pad Pin 29):** Ground. Connects to the sources of the bottom N-Channel MOSFETs and the (–) terminal(s) of decoupling capacitors. The exposed pad must be soldered to PCB ground for rated electrical and thermal performance.

FUNCTIONAL DIAGRAM



7802 BD

## OPERATION (Refer to Functional Diagram)

### Main Control Loop

The LTC7802 is a dual synchronous step-down (buck) controller utilizing a constant frequency, peak current mode architecture. The two controller channels operate 180° out of phase which reduces the required input capacitance and power supply induced noise. During normal operation, the external top MOSFET is turned on when the clock for that channel sets the SR latch, causing the inductor current to increase. The main switch is turned off when the main current comparator, ICMP, resets the SR latch. After the top MOSFET is turned off each cycle, the bottom MOSFET is turned on which causes the inductor current to decrease until either the inductor current starts to reverse, as indicated by the current comparator IR, or the beginning of the next clock cycle.

The peak inductor current at which ICMP trips and resets the latch is controlled by the voltage on the ITH pin, which is the output of the error amplifier EA. The error amplifier compares the output voltage feedback signal at the V<sub>FB</sub> pin, (which is generated with an external resistor divider connected across the output voltage, V<sub>OUT</sub>, to ground) to the internal 0.8V reference voltage. When the load current increases, it causes a slight decrease in V<sub>FB</sub> relative to the reference, which causes the EA to increase the I<sub>TH</sub> voltage until the average inductor current matches the new load current.

### Power and Bias Supplies (V<sub>IN</sub>, EXT<sub>VCC</sub>, and INT<sub>VCC</sub>)

The INT<sub>VCC</sub> pin supplies power for the top and bottom MOSFET drivers and most of the internal circuitry. LDOs (low dropout linear regulators) are available from both the V<sub>IN</sub> and EXT<sub>VCC</sub> pins to provide power to INT<sub>VCC</sub>, which has a regulation point of 5.1V. When the EXT<sub>VCC</sub> pin is left open or tied to a voltage less than 4.7V, the V<sub>IN</sub> LDO supplies power to INT<sub>VCC</sub>. If EXT<sub>VCC</sub> is taken above 4.7V, the V<sub>IN</sub> LDO is turned off and the EXT<sub>VCC</sub> LDO is turned on. Once enabled, the EXT<sub>VCC</sub> LDO supplies power to INT<sub>VCC</sub>. Using the EXT<sub>VCC</sub> pin allows the INT<sub>VCC</sub> power to be derived from a high efficiency external source such as one of the LTC7802 switching regulator outputs.

Each top MOSFET driver is biased from the floating bootstrap capacitor C<sub>B</sub>, which normally recharges during each cycle through an external diode when the switch voltage goes low.

If the input voltage decreases to a voltage close to its output, the loop may enter dropout and attempt to turn on the top MOSFET continuously. The dropout detector detects this and forces the top MOSFET off for a short time every tenth cycle to allow C<sub>B</sub> to recharge, resulting in a 99% duty cycle at 350kHz operation and approximately 98% duty cycle at 2MHz operation.

### Start-Up and Shutdown (RUN and TRACK/SS Pins)

The two channels of the LTC7802 can be independently shut down using the RUN1 and RUN2 pins. Pulling a RUN pin below 1.1V shuts down the main control loop for that channel. Pulling both RUN pins below 0.7V disables both controllers and most internal circuits, including the INT<sub>VCC</sub> LDOs. In this shutdown state, the LTC7802 draws only 1.5μA of quiescent current.

The RUN pins may be externally pulled up or driven directly by logic. Each pin can tolerate up to 40V (absolute maximum), so it can be conveniently tied to V<sub>IN</sub> in always-on applications where one or both controllers are enabled continuously and never shut down. Additionally, a resistive divider from V<sub>IN</sub> to a RUN pin can be used to set a precise input undervoltage lockout so that the power supply does not operate below a user adjustable level.

The start-up of each channel's output voltage V<sub>OUT</sub> is controlled by the voltage on the corresponding TRACK/SS pin. When the voltage on the TRACK/SS pin is less than the 0.8V internal reference voltage, the LTC7802 regulates the V<sub>FB</sub> voltage to the TRACK/SS pin voltage instead of the 0.8V reference voltage. This allows the TRACK/SS pin to be used as a soft-start which smoothly ramps the output voltage on start-up, thereby limiting the input supply inrush current. An external capacitor from the TRACK/SS pin to GND is charged by an internal 12.5μA pull-up current, creating a voltage ramp on the TRACK/SS pin. As

## OPERATION

the TRACK/SS voltage rises linearly from 0V to 0.8V (and beyond), the output voltage  $V_{OUT}$  rises smoothly from zero to its final value.

Alternatively, the TRACK/SS pins can be used to make the start-up of  $V_{OUT}$  track that of another supply. Typically this requires connecting to the TRACK/SS pin through an external resistor divider from the other supply to ground (see the Applications Information section).

### Light Load Operation: Burst Mode Operation, Pulse-Skipping, or Forced Continuous Mode (MODE Pin)

The LTC7802 can be set to enter high efficiency Burst Mode operation, constant frequency pulse-skipping mode or forced continuous conduction mode at low load currents.

To select Burst Mode operation, tie the MODE pin to ground. To select forced continuous operation, tie the MODE pin to  $INTV_{CC}$ . To select pulse-skipping mode, tie the MODE pin to a DC voltage greater than 1.2V and less than  $INTV_{CC} - 1.3V$ . An internal 100k resistor to ground invokes Burst Mode operation when the MODE pin is floating and pulse-skipping mode when the MODE pin is tied to  $INTV_{CC}$  through an external 100k resistor.

When the controllers are enabled for Burst Mode operation, the minimum peak current in the inductor is set to approximately 25% of its maximum value even though the voltage on the ITH pin might indicate a lower value. If the average inductor current is higher than the load current, the error amplifier EA will decrease the voltage on the ITH pin. When the ITH voltage drops below 0.425V, the internal sleep signal goes high (enabling sleep mode) and both external MOSFETs are turned off. The ITH pin is then disconnected from the output of the EA and parked at 0.45V.

In sleep mode, much of the internal circuitry is turned off, reducing the quiescent current that the LTC7802 draws. If one channel is in sleep mode and the other channel is shut down, the LTC7802 draws only 15 $\mu$ A of quiescent current. If both channels are in sleep mode, the LTC7802 draws only 18 $\mu$ A of quiescent current. When  $V_{OUT}$  on channel 1 is 3.2V or higher, the majority of this quiescent current is

supplied by the SENSE1 $^-$  pin, which further reduces the input-referred quiescent current by the ratio of  $V_{IN}/V_{OUT}$  multiplied by the efficiency.

In sleep mode, the load current is supplied by the output capacitor. As the output voltage decreases, the EA's output begins to rise. When the output voltage drops enough, the ITH pin is reconnected to the output of the EA, the sleep signal goes low, and the controller resumes normal operation by turning on the top MOSFET on the next cycle of the internal oscillator.

When a controller is enabled for Burst Mode operation, the inductor current is not allowed to reverse. The reverse current comparator (IR) turns off the bottom MOSFET just before the inductor current reaches zero, preventing it from reversing and going negative. Thus, the controller operates in discontinuous operation.

In forced continuous operation the inductor current is allowed to reverse at light loads or under large transient conditions. The peak inductor current is determined by the voltage on the ITH pin, just as in normal operation. In this mode, the efficiency at light loads is lower than in Burst Mode operation. However, continuous operation has the advantage of lower output voltage ripple and less interference to audio circuitry. In forced continuous mode, the output ripple is independent of load current.

When the MODE pin is connected for pulse-skipping mode, the LTC7802 operates in PWM pulse-skipping mode at light loads. In this mode, constant frequency operation is maintained down to approximately 1% of designed maximum output current. At very light loads, the current comparator ICMP may remain tripped for several cycles and force the top MOSFET to stay off for the same number of cycles (i.e., skipping pulses). The inductor current is not allowed to reverse (discontinuous operation). This mode, like forced continuous operation, exhibits low output ripple as well as low audio noise and reduced RF interference as compared to Burst Mode operation. It provides higher low current efficiency than forced continuous mode, but not nearly as high as Burst Mode operation.

Unlike forced continuous mode and pulse-skipping mode, Burst Mode cannot be synchronized to an external clock.

## OPERATION

Therefore, if Burst Mode is selected and the switching frequency is synchronized to an external clock applied to the PLLIN/SPREAD pin, the LTC7802 switches from Burst Mode to forced continuous mode.

### Frequency Selection, Spread Spectrum, and Phase-Locked Loop (FREQ and PLLIN/SPREAD Pins)

The free running switching frequency of the LTC7802 controllers is selected using the FREQ pin. Tying FREQ to GND selects 350kHz while tying FREQ to INTV<sub>CC</sub> selects 2.25MHz. Placing a resistor between FREQ and GND allows the frequency to be programmed between 100kHz and 3MHz.

Switching regulators can be particularly troublesome for applications where electromagnetic interference (EMI) is a concern. To improve EMI, the LTC7802 can operate in spread spectrum mode, which is enabled by tying the PLLIN/SPREAD pin to INTV<sub>CC</sub>. This feature varies the switching frequency within typical boundaries of -12% to +15% of the frequency set by the FREQ pin.

A phase-locked loop (PLL) is available on the LTC7802 to synchronize the internal oscillator to an external clock source connected to the PLLIN/SPREAD pin. The LTC7802's PLL aligns the turn-on of controller 1's external top MOSFET to the rising edge of the synchronizing signal. Thus, the turn-on of controller 2's external top MOSFET is 180° out-of-phase to the rising edge of the external clock source.

The PLL frequency is prebiased to the free running frequency set by the FREQ pin before the external clock is applied. If prebiased near the external clock frequency, the PLL only needs to make slight changes in order to synchronize the rising edge of the external clock to the rising edge of TG1. For more rapid lock-in to the external clock, use the FREQ pin to set the internal oscillator to

approximately the frequency of the external clock. The LTC7802's PLL is guaranteed to lock to an external clock source whose frequency is between 100kHz and 3MHz.

The PLLIN/SPREAD pin is TTL compatible with thresholds of 1.6V (rising) and 1.1V (falling) and is guaranteed to operate with a clock signal swing of 0.5V to 2.2V.

### Output Overvoltage Protection

Each channel has an overvoltage comparator that guards against transient overshoots as well as other more serious conditions that may overvoltage the output. When the V<sub>FB1,2</sub> pin rises more than 10% above its regulation point of 0.8V, the top MOSFET is turned off and the bottom MOSFET is turned on until the overvoltage condition is cleared.

### Foldback Current

When the output voltage falls to less than 50% of its nominal level, foldback current limiting is activated, progressively lowering the peak current limit in proportion to the severity of the overcurrent or short-circuit condition. Foldback current limiting is disabled during the soft-start interval (as long as the V<sub>FB</sub> voltage is keeping up with the TRACK/SS1,2 voltage).

### Power Good

Each channel has a PGOOD pin that is connected to an open drain of an internal N-channel MOSFET. The MOSFET turns on and pulls the PGOOD pin low when the V<sub>FB</sub> voltage is not within ±10% of the 0.8V reference. The PGOOD pin is also pulled low when the RUN pin is low (shut down). When the V<sub>FB</sub> voltage is within the ±10% requirement, the MOSFET is turned off and the pin is allowed to be pulled up by an external resistor to a source no greater than 6V, such as INTV<sub>CC</sub>.



## APPLICATIONS INFORMATION

The Typical Application on the first page is a basic LTC7802 application circuit. External component selection is largely driven by the load requirement and begins with the selection of the inductor, current sense components, operating frequency, and light load operating mode. The remaining power stage components, consisting of the input and output capacitors, and power MOSFETs can then be chosen. Next, feedback resistors are selected to set the desired output voltage. Then, the remaining external components are selected, such as for soft-start, biasing, and loop compensation.

### Inductor Value Calculation

The operating frequency and inductor selection are inter-related in that higher operating frequencies allow the use of smaller inductor and capacitor values. So why would anyone ever choose to operate at lower frequencies with larger components? The answer is efficiency. A higher frequency generally results in lower efficiency because of MOSFET switching and gate charge losses. In addition to this basic trade-off, the effect of inductor value on ripple current and low current operation must also be considered. The inductor value has a direct effect on ripple current.

The maximum average inductor current  $I_{L(MAX)}$  is equal to the maximum output current. The peak current is equal to the average inductor current plus half of the inductor ripple current,  $\Delta I_L$ , which decreases with higher inductance or higher frequency and increases with higher  $V_{IN}$ :

$$\Delta I_L = \frac{1}{(f)(L)} V_{OUT} \left( 1 - \frac{V_{OUT}}{V_{IN}} \right)$$

Accepting larger values of  $\Delta I_L$  allows the use of low inductances, but results in higher output voltage ripple and greater core losses. A reasonable starting point for setting ripple current is  $\Delta I_L = 0.3 \cdot I_{L(MAX)}$ . The maximum  $\Delta I_L$  occurs at the maximum input voltage.

The inductor value also has secondary effects. The transition to Burst Mode operation begins when the average inductor current required results in a peak current below 25% of the current limit determined by  $R_{SENSE}$ . Lower inductor values (higher  $\Delta I_L$ ) will cause this to occur at

lower load currents, which can cause a dip in efficiency in the upper range of low current operation.

### Inductor Core Selection

Once the value for L is known, the type of inductor must be selected. High efficiency regulators generally cannot afford the core loss found in low cost powdered iron cores, forcing the use of more expensive ferrite or molypermalloy cores. Actual core loss is very dependent on inductance value selected. As inductance increases, core losses go down. Unfortunately, increased inductance requires more turns of wire and therefore copper losses will increase.

Ferrite designs have very low core loss and are preferred for high switching frequencies, so design goals can concentrate on copper loss and preventing saturation. Ferrite core material saturates hard, which means that inductance collapses abruptly when the peak design current is exceeded. This results in an abrupt increase in inductor ripple current and consequent output voltage ripple. Do not allow the core to saturate!

### Current Sense Selection

The LTC7802 can be configured to use either DCR (inductor resistance) sensing or low value resistor sensing. The choice between the two current sensing schemes is largely a design trade-off between cost, power consumption and accuracy. DCR sensing has become popular because it saves expensive current sensing resistors and is more power efficient, particularly in higher current and lower frequency applications. However, current sensing resistors provide the most accurate current limits for the controller. Other external component selection is driven by the load requirement and begins with the selection of  $R_{SENSE}$  (if  $R_{SENSE}$  is used) and inductor value.

The SENSE<sup>+</sup> and SENSE<sup>-</sup> pins are the inputs to the current comparators. The common mode voltage range on these pins is 0V to 40V (absolute maximum), enabling the LTC7802 to regulate output voltages up to a maximum of 40V. The SENSE<sup>+</sup> pin is high impedance, drawing less than  $\approx 1\mu A$ . This high impedance allows the current comparators to be used in inductor DCR sensing. The impedance of the SENSE<sup>-</sup> pin changes depending on the

## APPLICATIONS INFORMATION

common mode voltage. When less than  $INTV_{CC} - 0.5V$ , these pins are relatively high impedance, drawing  $\approx 1\mu A$ . When above  $INTV_{CC} + 0.5V$ , a higher current ( $\approx 650\mu A$ ) flows into each pin. Between  $INTV_{CC} - 0.5V$  and  $INTV_{CC} + 0.5V$ , the current transitions from the smaller current to the higher current. Channel 1's  $SENSE1^-$  pin has an additional  $\approx 50\mu A$  current when its voltage is above 3.2V to bias internal circuitry from  $V_{OUT1}$  instead of  $V_{IN}$ , thereby reducing the input-referred supply current.

Filter components mutual to the sense lines should be placed close to the LTC7802, and the sense lines should run close together to a Kelvin connection underneath the current sense element (shown in Figure 1). Sensing current elsewhere can effectively add parasitic inductance and capacitance to the current sense element, degrading the information at the sense terminals and making the programmed current limit unpredictable. If DCR sensing is used (Figure 2b), resistor R1 should be placed close to the switching node, to prevent noise from coupling into sensitive small signal nodes.

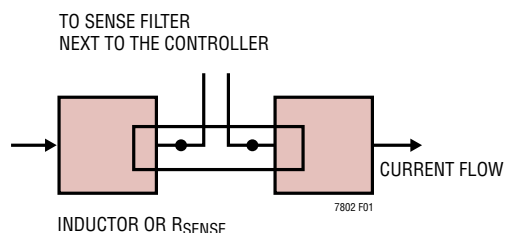


Figure 1. Sense Lines Placement with Inductor or Sense Resistor

### Low Value Resistor Current Sensing

A typical sensing circuit using a discrete resistor is shown in Figure 2a.  $R_{SENSE}$  is chosen based on the required output current. Each controller's current comparator has a maximum threshold  $V_{SENSE(MAX)}$  of 50mV. The current comparator threshold voltage sets the peak inductor current.

Using the maximum inductor current ( $I_{L(MAX)}$ ) and ripple current ( $\Delta I_L$ ) from the Inductor Value Calculation section, the target sense resistor value is:

$$R_{SENSE(EQUIV)} \leq \frac{V_{SENSE(MAX)}}{I_{L(MAX)} + \frac{\Delta I_L}{2}}$$

To ensure that the application will deliver full load current over the full operating temperature range, choose the minimum value for  $V_{SENSE(MAX)}$  in the Electrical Characteristics table.

To avoid potential jitter or instability due to PCB noise coupling into the current sense signal, the AC current sensing ripple of  $\Delta V_{SENSE} = \Delta I_L \cdot R_{SENSE}$  should also be checked to ensure a good signal-to-noise ratio. In general, for a reasonably good PCB layout, a target  $\Delta V_{SENSE}$  voltage of 10mV to 20mV at nominal input voltage is recommended for both  $R_{SENSE}$  and DCR sensing applications.

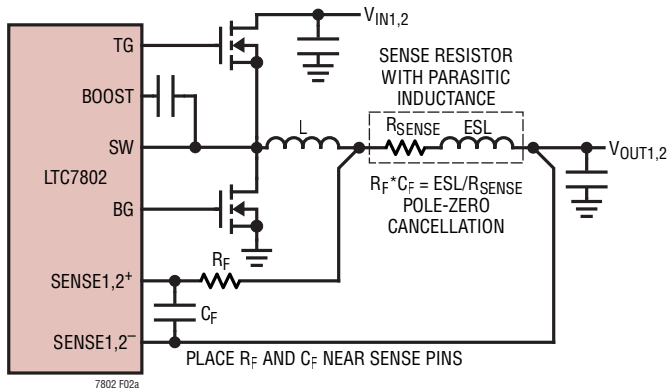
The parasitic inductance (ESL) of the sense resistor introduces significant error in the current sense signal for lower inductor value ( $< 3\mu H$ ) or higher current ( $> 5A$ ) applications. This error is proportional to input voltage and may degrade line regulation or cause loop instability. An RC filter into the sense pins, as shown in Figure 2a, can be used to compensate for this error. Set the RC filter time constant  $R_F \cdot C_F = ESL/R_{SENSE}$  for optimal cancellation of the ESL. In general, select  $C_F$  to be in the range of 1nF to 10nF and calculate the corresponding  $R_F$ . Surface mount sense resistors in low ESL wide footprint geometries are recommended to minimize this error. If not specified on the manufacturer's data sheet, the ESL can be approximated as 0.4nH for a resistor with a 1206 footprint and 0.2nH for a 1225 footprint.

### Inductor DCR Current Sensing

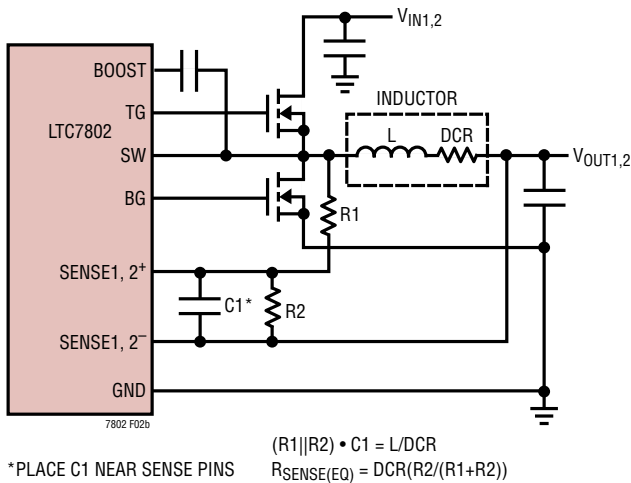
For applications requiring the highest possible efficiency at high load currents, the LTC7802 is capable of sensing the voltage drop across the inductor DCR, as shown in Figure 2b. The DCR of the inductor represents the small amount of DC winding resistance of the copper, which can be less than 1m $\Omega$  for today's low value, high current inductors. In a high current application requiring such an inductor, power loss through a sense resistor would cost several points of efficiency compared to inductor DCR sensing.

If the external  $(R1||R2) \cdot C1$  time constant is chosen to be exactly equal to the  $L/DCR$  time constant, the voltage drop across the external capacitor is equal to the drop across the inductor DCR multiplied by  $R2/(R1+R2)$ .  $R2$  scales the voltage across the sense terminals for applications where the DCR is greater than the target sense resistor value.

APPLICATIONS INFORMATION



(2a) Using a Resistor to Sense Current



(2b) Using the Inductor DCR to Sense Current

Figure 2. Current Sensing Methods

To properly dimension the external filter components, the DCR of the inductor must be known. It can be measured using a good RLC meter, but the DCR tolerance is not always the same and varies with temperature; consult the manufacturers' data sheets for detailed information.

Using the maximum inductor current ( $I_{L(MAX)}$ ) and ripple current ( $\Delta I_L$ ) from the Inductor Value Calculation section, the target sense resistor value is:

$$R_{SENSE(EQUIV)} = \frac{V_{SENSE(MAX)}}{I_{LMAX} + \frac{\Delta I_L}{2}}$$

To ensure that the application will deliver full load current over the full operating temperature range, choose

the minimum value for  $V_{SENSE(MAX)}$  in the Electrical Characteristics table.

Next, determine the DCR of the inductor. When provided, use the manufacturer's maximum value, usually given at 20°C. Increase this value to account for the temperature coefficient of copper resistance, which is approximately 0.4%/°C. A conservative value for  $T_{L(MAX)}$  is 100°C. To scale the maximum inductor DCR to the desired sense resistor value, use the divider ratio:

$$R_D = \frac{R_{SENSE(EQUIV)}}{DCR_{MAX} \text{ at } T_{L(MAX)}}$$

$C_1$  is usually selected to be in the range of 0.1µF to 0.47µF. This forces  $R_1 || R_2$  to around 2k, reducing error that might have been caused by the SENSE+ pin's  $\approx 1\mu A$  current.

The target equivalent resistance  $R_1 || R_2$  is calculated from the nominal inductance,  $C_1$  value, and DCR:

$$R_1 || R_2 = \frac{L}{(DCR \text{ at } 20^\circ C) \cdot C_1}$$

The sense resistor values are:

$$R_1 = \frac{R_1 || R_2}{R_D}; \quad R_2 = \frac{R_1 \cdot R_D}{1 - R_D}$$

The maximum power loss in  $R_1$  is related to duty cycle and occurs in continuous mode at the maximum input voltage:

$$P_{LOSS R1} = \frac{(V_{IN(MAX)} - V_{OUT}) \cdot V_{OUT}}{R_1}$$

Ensure that  $R_1$  has a power rating higher than this value. If high efficiency is necessary at light loads, consider this power loss when deciding whether to use DCR sensing or sense resistors. Light load power loss can be modestly higher with a DCR network than with a sense resistor, due to the extra switching losses incurred through  $R_1$ . However, DCR sensing eliminates a sense resistor, reduces conduction losses and provides higher efficiency at heavy loads. Peak efficiency is about the same with either method.



## APPLICATIONS INFORMATION

### Setting the Operating Frequency

Selection of the operating frequency is a trade-off between efficiency and component size. High frequency operation allows the use of smaller inductor and capacitor values. Operation at lower frequencies improves efficiency by reducing gate charge and transition losses, but requires larger inductance values and/or more output capacitance to maintain low output ripple voltage.

In higher voltage applications transition losses contribute more significantly to power loss, and a good balance between size and efficiency is generally achieved with a switching frequency between 300kHz and 900kHz. Lower voltage applications benefit from lower switching losses and can therefore more readily operate at higher switching frequencies up to 3MHz if desired. The switching frequency is set using the FREQ and PLLIN/SPREAD pins as shown in Table 1.

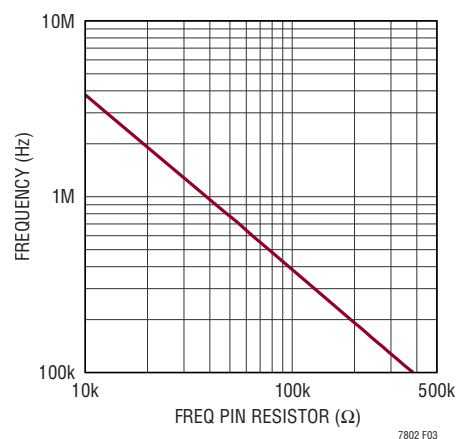
**Table 1.**

| FREQ PIN           | PLLIN/SPREAD PIN              | FREQUENCY                     |
|--------------------|-------------------------------|-------------------------------|
| 0V                 | 0V                            | 350kHz                        |
| INTV <sub>CC</sub> | 0V                            | 2.25MHz                       |
| Resistor to GND    | 0V                            | 100kHz to 3MHz                |
| Any of the Above   | External Clock 100kHz to 3MHz | Phase-Locked to External lock |
| Any of the Above   | INTV <sub>CC</sub>            | Spread Spectrum Modulated     |

Tying the FREQ pin to ground selects 350kHz while tying FREQ to INTV<sub>CC</sub> selects 2.25MHz. Placing a resistor between FREQ and ground allows the frequency to be programmed anywhere between 100kHz and 3MHz. Choose a FREQ pin resistor from Figure 3 or the following equation:

$$R_{\text{FREQ}} \text{ (in } k\Omega) = \frac{37\text{MHz}}{f_{\text{OSC}}}$$

To improve electromagnetic interference (EMI) performance, spread spectrum mode can optionally be selected by tying the PLLIN/SPREAD pin to INTV<sub>CC</sub>. When spread spectrum is enabled, the switching frequency modulates within -12% to +15% of the frequency selected by the FREQ pin. Spread spectrum may be used in any operating mode selected by the MODE pin (Burst Mode, pulse-skipping, or forced continuous mode).



**Figure 3. Relationship Between Oscillator Frequency and Resistor Value at the FREQ Pin**

A phase-locked loop (PLL) is also available on the LTC7802 to synchronize the internal oscillator to an external clock source connected to the PLLIN/SPREAD pin. After the PLL locks, TG1 is synchronized to the rising edge of the external clock signal, and TG2 is 180° out of phase from TG1. See the Phase-Locked Loop and Frequency Synchronization section for details.

### Selecting the Light-Load Operating Mode

The LTC7802 can be set to enter high efficiency Burst Mode operation, constant frequency pulse-skipping mode or forced continuous conduction mode at light load currents. To select Burst Mode operation, tie the MODE to ground. To select forced continuous operation, tie the MODE pin to INTV<sub>CC</sub>. To select pulse-skipping mode, tie the MODE pin to INTV<sub>CC</sub> through a 100k resistor. An internal 100k resistor from the MODE pin to ground selects Burst Mode if the pin is floating. When synchronized to an external clock through the PLLIN/SPREAD pin, the LTC7802 operates in pulse-skipping mode if it is selected, or in forced continuous mode otherwise. Table 2 summarizes the use of the MODE pin to select the light load operating mode.

**Table 2.**

| MODE PIN                   | LIGHT-LOAD OPERATING MODE | MODE WHEN SYNCHRONIZED |
|----------------------------|---------------------------|------------------------|
| 0V or Floating             | Burst Mode                | Forced Continuous      |
| 100k to INTV <sub>CC</sub> | Pulse-Skipping            | Pulse-Skipping         |
| INTV <sub>CC</sub>         | Forced Continuous         | Forced Continuous      |

## APPLICATIONS INFORMATION

In general, the requirements of each application will dictate the appropriate choice for light-load operating mode. In Burst Mode operation, the inductor current is not allowed to reverse. The reverse current comparator turns off the bottom MOSFET just before the inductor current reaches zero, preventing it from reversing and going negative. Thus, the regulator operates in discontinuous operation. In addition, when the load current is very light, the inductor current will begin bursting at frequencies lower than the switching frequency and enter a low current sleep mode when not switching. As a result, Burst Mode operation has the highest possible efficiency at light load.

In forced continuous mode, the inductor current is allowed to reverse at light loads and switches at the same frequency regardless of load. In this mode, the efficiency at light loads is considerably lower than in Burst Mode operation. However, continuous operation has the advantage of lower output voltage ripple and less interference to audio circuitry. In forced continuous mode, the output ripple is independent of load current.

In pulse-skipping mode, constant frequency operation is maintained down to approximately 1% of designed maximum output current. At very light loads, the PWM comparator may remain tripped for several cycles and force the top MOSFET to stay off for the same number of cycles (i.e., skipping pulses). The inductor current is not allowed to reverse (discontinuous operation). This mode, like forced continuous operation, exhibits low output ripple as well as low audio noise and reduced RF interference as compared to Burst Mode operation. It provides higher light load efficiency than forced continuous mode, but not nearly as high as Burst Mode operation. Consequently, pulse-skipping mode represents a compromise between light load efficiency, output ripple and EMI.

In some applications, it may be desirable to change light load operating mode based on the conditions present in the system. For example, if a system is inactive, one might select high efficiency Burst Mode operation by keeping the MODE pin set to 0V. When the system wakes, one might send an external clock to PLLIN/SPREAD, or tie MODE to INTV<sub>CC</sub> to switch to low noise forced continuous mode. Such on-the-fly mode changes can allow an individual application to benefit from the advantages of each light load operating mode.

### Power MOSFET Selection

Two external power MOSFETs must be selected for each controller in the LTC7802: one N-channel MOSFET for the top (main) switch and one N-channel MOSFET for the bottom (synchronous) switch. The peak-to-peak gate drive levels are set by the INTV<sub>CC</sub> regulation point of 5.1V. Consequently, logic level threshold MOSFETs must be used in most applications. Pay close attention to the BV<sub>DSS</sub> specification for the MOSFETs as well; many of the logic level MOSFETs are limited to 30V or less.

Selection criteria for the power MOSFETs include the on resistance R<sub>DS(ON)</sub>, Miller capacitance C<sub>MILLER</sub>, input voltage, and maximum output current. Miller capacitance, C<sub>MILLER</sub>, can be approximated from the gate charge curve usually provided on the MOSFET manufacturers' data sheet. C<sub>MILLER</sub> is equal to the increase in gate charge along the horizontal axis while the curve is approximately flat divided by the specified change in V<sub>DS</sub>. This result is then multiplied by the ratio of the application applied V<sub>DS</sub> to the gate charge curve specified V<sub>DS</sub>. When the IC is operating in continuous mode the duty cycles for the top and bottom MOSFETs are given by:

$$\text{MAIN SWITCH DUTY CYCLE} = \frac{V_{\text{OUT}}}{V_{\text{IN}}}$$

$$\text{SYNCHRONOUS SWITCH DUTY CYCLE} = \frac{V_{\text{IN}} - V_{\text{OUT}}}{V_{\text{IN}}}$$

The MOSFET power dissipations at maximum output current are given by:

$$P_{\text{MAIN\_BUCK}} = \frac{V_{\text{OUT}}}{V_{\text{IN}}} (I_{\text{OUT(MAX)}})^2 (1 + \delta) R_{\text{DS(ON)}} +$$

$$(V_{\text{IN}})^2 \left( \frac{I_{\text{OUT(MAX)}}}{2} \right) (R_{\text{DR}}) (C_{\text{MILLER}}) \cdot$$

$$\left[ \frac{1}{V_{\text{INTVCC}} - V_{\text{THMIN}}} + \frac{1}{V_{\text{THMIN}}} \right] (f)$$

$$P_{\text{SYNC\_BUCK}} = \frac{V_{\text{IN}} - V_{\text{OUT}}}{V_{\text{IN}}} (I_{\text{OUT(MAX)}})^2 (1 + \delta)$$

## APPLICATIONS INFORMATION

where  $\delta$  is the temperature dependency of  $R_{DS(ON)}$  ( $\delta \approx 0.005/^\circ\text{C}$ ) and  $R_{DR}$  is the effective driver resistance at the MOSFET's Miller threshold voltage ( $R_{DR} \approx 2\Omega$ ).  $V_{THMIN}$  is the typical MOSFET minimum threshold voltage.

Both MOSFETs have  $I^2R$  losses while the main N-channel equations include an additional term for transition losses, which are highest at high input voltages. For  $V_{IN} < 20V$  the high current efficiency generally improves with larger MOSFETs, while for  $V_{IN} > 20V$  the transition losses rapidly increase to the point that the use of a higher  $R_{DS(ON)}$  device with lower  $C_{MILLER}$  actually provides higher efficiency. The synchronous MOSFET losses are greatest at high input voltage when the top switch duty factor is low or during a short-circuit when the synchronous switch is on close to 100% of the period.

### $C_{IN}$ and $C_{OUT}$ Selection

The selection of  $C_{IN}$  is simplified by the 2-phase architecture and its impact on the worst-case RMS current drawn through the input network (battery/fuse/capacitor). It can be shown that the worst-case capacitor RMS current occurs when only one controller is operating. The controller with the highest  $V_{OUT} \cdot I_{OUT}$  product needs to be used in the equation below to determine the maximum RMS capacitor current requirement.

Increasing the output current drawn from the other controller will actually decrease the input RMS ripple current from its maximum value. The out-of-phase technique typically reduces the input capacitor's RMS ripple current by a factor of 30% to 70% when compared to a single-phase power supply solution.

In continuous mode, the source current of the top MOSFET is a square wave of duty cycle  $V_{OUT}/V_{IN}$ . To prevent large voltage transients, a low ESR capacitor sized for the maximum RMS current of one channel must be used. At maximum load current  $I_{MAX}$ , the maximum RMS capacitor current is given by:

$$C_{IN} \text{ Required } I_{RMS} \approx \frac{I_{MAX}}{V_{IN}} [(V_{OUT})(V_{IN} - V_{OUT})]^{1/2}$$

This formula has a maximum at  $V_{IN} = 2V_{OUT}$ , where  $I_{RMS} = I_{OUT}/2$ . This simple worst-case condition is commonly used for design because even significant deviations do not offer much relief. Note that capacitor manufacturers' ripple current ratings are often based on only 2000 hours of life. This makes it advisable to further derate the capacitor, or to choose a capacitor rated at a higher temperature than required. Several capacitors may be paralleled to meet size or height requirements in the design. Due to the high operating frequency of the LTC7802, ceramic capacitors can also be used for  $C_{IN}$ . Always consult the manufacturer if there is any question.

The benefit of the LTC7802 2-phase operation can be calculated by using this equation for the higher power controller and then calculating the loss that would have resulted if both controller channels switched on at the same time. The total RMS power lost is lower when both controllers are operating due to the reduced overlap of current pulses required through the input capacitor's ESR. This is why the input capacitor's requirement calculated above for the worst-case controller is adequate for the dual controller design. Also, the input protection fuse resistance, battery resistance, and PC board trace resistance losses are also reduced due to the reduced peak currents in a 2-phase system. The overall benefit of a multiphase design will only be fully realized when the source impedance of the power supply/battery is included in the efficiency testing.

The drains of the top MOSFETs should be placed within 1cm of each other and share a common  $C_{IN}(s)$ . Separating the drains and  $C_{IN}$  may produce undesirable resonances at  $V_{IN}$ .

A small (0.1 $\mu\text{F}$  to 1 $\mu\text{F}$ ) bypass capacitor between the chip  $V_{IN}$  pin and ground, placed close to the LTC7802, is also suggested. An optional 1 $\Omega$  to 10 $\Omega$  resistor placed between  $C_{IN}$  and the  $V_{IN}$  pin provides further isolation from a noisy input supply.

The selection of  $C_{OUT}$  is driven by the effective series resistance (ESR). Typically, once the ESR requirement is satisfied, the capacitance is adequate for filtering. The output ripple ( $\Delta V_{OUT}$ ) is approximated by:

$$\Delta V_{OUT} \approx \Delta I_L \left( \text{ESR} + \frac{1}{8fC_{OUT}} \right)$$

## APPLICATIONS INFORMATION

where  $f$  is the operating frequency,  $C_{OUT}$  is the output capacitance and  $\Delta I_L$  is the ripple current in the inductor. The output ripple is highest at maximum input voltage since  $\Delta I_L$  increases with input voltage.

### Setting the Output Voltage

The LTC7802 output voltages are each set by an external feedback resistor divider carefully placed across the output, as shown in Figure 4. The regulated output voltage is determined by:

$$V_{OUT} = 0.8V \left( 1 + \frac{R_B}{R_A} \right)$$

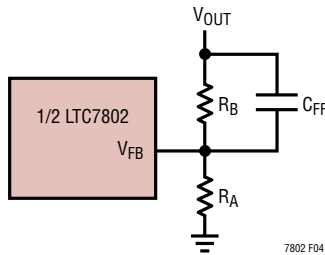


Figure 4. Setting Output Voltage

Place resistors  $R_A$  and  $R_B$  very close to the  $V_{FB}$  pin to minimize PCB trace length and noise on the sensitive  $V_{FB}$  node. Great care should be taken to route the  $V_{FB}$  trace away from noise sources, such as the inductor or the SW trace. To improve frequency response, a feedforward capacitor ( $C_{FF}$ ) may be used.

For applications with multiple output voltage levels, select channel 1 to be the lowest output voltage that is greater than 3.2V. When the  $SENSE1^-$  pin (connected to  $V_{OUT1}$ ) is above 3.2V, it biases some internal circuitry instead of  $V_{IN}$ , thereby increasing light load Burst Mode efficiency. Similarly, connect  $EXTV_{CC}$  to the lowest output voltage that is greater than the 4.8V maximum  $EXTV_{CC}$  rising switch-over threshold.  $EXTV_{CC}$  then supplies the high current gate drivers and relieves additional quiescent current from  $V_{IN}$ , further reducing the  $V_{IN}$  pin current to  $\approx 1\mu A$  in sleep.

### RUN Pins and Undervoltage Lockout

The two channels of the LTC7802 are enabled using the RUN1, and RUN2 pins. The RUN pins have a rising threshold of 1.2V with 100mV of hysteresis. Pulling a RUN pin below 1.1V shuts down the main control loop and resets the soft-start for that channel. Pulling both RUN pins below 0.7V disables the controllers and most internal circuits, including the  $INTV_{CC}$  LDOs. In this state, the LTC7802 draws only  $\approx 1.5\mu A$  of quiescent current.

The RUN pins are high impedance and must be externally pulled up/down or driven directly by logic. Each RUN pin can tolerate up to 40V (absolute maximum), so it can be conveniently tied to  $V_{IN}$  in always-on applications where the controller is enabled continuously and never shut down. Do not float the RUN pins.

The RUN pins can also be configured as precise undervoltage lockouts (UVLOs) on the input supply with a resistor divider from  $V_{IN}$  to ground, as shown in Figure 5.

The  $V_{IN}$  UVLO thresholds can be computed as:

$$UVLO \text{ RISING} = 1.2V \left( 1 + \frac{R_1}{R_2} \right)$$

$$UVLO \text{ FALLING} = 1.1V \left( 1 + \frac{R_1}{R_2} \right)$$

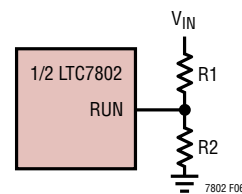


Figure 5. Using the RUN Pins As a UVLO

The current that flows through the R1-R2 divider directly adds to the shutdown, sleep, and active current of the LTC7802, and care should be taken to minimize the impact of this current on the overall efficiency of the application circuit. Resistor values in the  $M\Omega$  range may be required to keep the impact on quiescent shutdown and sleep currents low.

## APPLICATIONS INFORMATION

### Soft-Start and Tracking (TRACK/SS Pins)

The start-up of each  $V_{OUT}$  is controlled by the voltage on the TRACK/SS pin (TRACK/SS1 for channel 1, TRACK/SS2 for channel 2). When the voltage on the TRACK/SS pin is less than the internal 0.8V reference, the LTC7802 regulates the  $V_{FB}$  pin voltage to the voltage on the TRACK/SS pin instead of the internal reference. The TRACK/SS pin can be used to program an external soft-start function or to allow  $V_{OUT}$  to track another supply during start-up.

Soft-start is enabled by simply connecting a capacitor from the TRACK/SS pin to ground. An internal 12.5 $\mu$ A current source charges the capacitor, providing a linear ramping voltage at the TRACK/SS pin. The LTC7802 will regulate its feedback voltage (and hence  $V_{OUT}$ ) according to the voltage on the TRACK/SS pin, allowing  $V_{OUT}$  to rise smoothly from 0V to its final regulated value. For a desired soft-start time,  $t_{SS}$ , select a soft-start capacitor  $C_{SS} = t_{SS} \cdot 15\mu\text{F}/\text{sec}$ .

Alternatively, the TRACK/SS pins can be used to track two or more supplies during start-up, as shown qualitatively in Figure 6a and Figure 6b. To do this, a resistor divider should be connected from the master supply ( $V_X$ ) to the TRACK/SS pin of the slave supply ( $V_{OUT}$ ), as shown in Figure 7. During start-up  $V_{OUT}$  will track  $V_X$  according to the ratio set by the resistor divider:

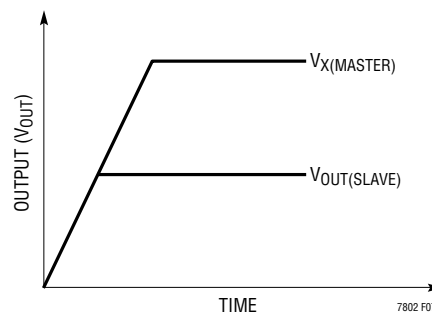
$$\frac{V_X}{V_{OUT}} = \frac{R_A}{R_{TRACKA}} \cdot \frac{R_{TRACKA} + R_{TRACKB}}{R_A + R_B}$$

Set  $R_{TRACKA} = R_A$  and  $R_{TRACKB} = R_B$  for coincident tracking ( $V_{OUT} = V_X$  during start-up).

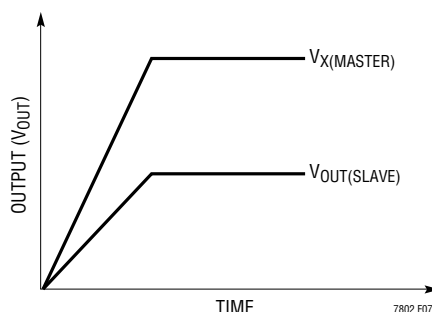
### Single Output 2-Phase Operation

For high power applications, the two channels can be operated in a 2-phase single output configuration. The channels switch 180° out-of-phase, which reduces the required output capacitance in addition to the required input capacitance and power supply induced noise. To configure the LTC7802 for 2-phase operation, tie  $V_{FB2}$  to  $INTV_{CC}$ ,  $ITH2$  to ground, and  $RUN2$  to  $RUN1$ .

The  $RUN1$ ,  $V_{FB1}$ ,  $ITH1$ , TRACK/SS1 pins are then used to control both channels, but each channel uses its own  $ICMP$  and  $IR$  comparators to monitor their respective



(6a) Coincident Tracking



(6b) Ratiometric Tracking

Figure 6. Two Different Modes of Output Voltage Tracking

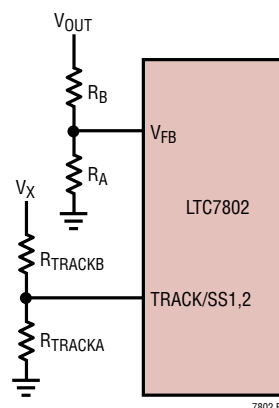


Figure 7. Using the TRACK/SS Pin for Tracking

inductor currents. Figure 10 is a typical application configured for single output 2-phase operation.

### INTV<sub>CC</sub> Regulators

The LTC7802 features two separate internal low dropout linear regulators (LDOs) that supply power at the  $INTV_{CC}$  pin from either the  $V_{IN}$  pin or the  $EXTV_{CC}$  pin depending



## APPLICATIONS INFORMATION

on the EXT<sub>V<sub>CC</sub></sub> pin voltage. INT<sub>V<sub>CC</sub></sub> powers the MOSFET gate drivers and most of the internal circuitry. The V<sub>IN</sub> LDO and the EXT<sub>V<sub>CC</sub></sub> LDO each regulate INT<sub>V<sub>CC</sub></sub> to 5.1V and can provide a peak current of at least 100mA.

The INT<sub>V<sub>CC</sub></sub> pin must be bypassed to ground with a minimum of 4.7μF ceramic capacitor, placed as close as possible to the pin. An additional 1μF ceramic capacitor placed directly adjacent to the INT<sub>V<sub>CC</sub></sub> and GND pins is also highly recommended to supply the high frequency transient currents required by the MOSFET gate drivers.

High input voltage applications in which large MOSFETs are being driven at high frequencies may cause the maximum junction temperature rating for the LTC7802 to be exceeded. The INT<sub>V<sub>CC</sub></sub> current, which is dominated by the gate charge current, may be supplied by either the V<sub>IN</sub> LDO or the EXT<sub>V<sub>CC</sub></sub> LDO. When the voltage on the EXT<sub>V<sub>CC</sub></sub> pin is less than 4.7V, the V<sub>IN</sub> LDO is enabled. Power dissipation for the IC in this case is equal to V<sub>IN</sub> • I<sub>INT<sub>V<sub>CC</sub></sub></sub>. The gate charge current is dependent on operating frequency as discussed in the Efficiency Considerations section. The junction temperature can be estimated by using the equations given in Note 2 of the Electrical Characteristics. For example, the LTC7802 INT<sub>V<sub>CC</sub></sub> current is limited to less than 35mA from a 36V supply when not using the EXT<sub>V<sub>CC</sub></sub> supply at a 70°C ambient temperature:

$$T_J = 70^\circ\text{C} + (35\text{mA})(36\text{V})(43^\circ\text{C}/\text{W}) = 125^\circ\text{C}$$

To prevent the maximum junction temperature from being exceeded, the input supply current must be checked while operating in continuous conduction mode (MODE = INT<sub>V<sub>CC</sub></sub>) at maximum V<sub>IN</sub>.

When the voltage applied to EXT<sub>V<sub>CC</sub></sub> rises above 4.7V (typical), the V<sub>IN</sub> LDO is turned off and the EXT<sub>V<sub>CC</sub></sub> LDO is enabled. The EXT<sub>V<sub>CC</sub></sub> LDO remains on as long as the voltage applied to EXT<sub>V<sub>CC</sub></sub> remains above approximately 4.5V. The EXT<sub>V<sub>CC</sub></sub> LDO attempts to regulate the INT<sub>V<sub>CC</sub></sub> voltage to 5.1V, so while EXT<sub>V<sub>CC</sub></sub> is less than 5.1V, the LDO is in dropout and the INT<sub>V<sub>CC</sub></sub> voltage is approximately equal to EXT<sub>V<sub>CC</sub></sub>. When EXT<sub>V<sub>CC</sub></sub> is greater than 5.1V (up to an absolute maximum of 30V), INT<sub>V<sub>CC</sub></sub> is regulated to 5.1V. Using the EXT<sub>V<sub>CC</sub></sub> LDO allows the MOSFET driver and control power to be derived from one of the

LTC7802's switching regulator outputs ( $4.8\text{V} \leq V_{\text{OUT}} \leq 30\text{V}$ ) during normal operation and from the V<sub>IN</sub> LDO when the output is out of regulation (e.g., start-up, short-circuit). If more current is required through the EXT<sub>V<sub>CC</sub></sub> LDO than is specified, an external Schottky diode can be added between the EXT<sub>V<sub>CC</sub></sub> and INT<sub>V<sub>CC</sub></sub> pins. In this case, do not apply more than 6V to the EXT<sub>V<sub>CC</sub></sub> pin.

Significant efficiency and thermal gains can be realized by powering INT<sub>V<sub>CC</sub></sub> from an output, since the V<sub>IN</sub> current resulting from the driver and control currents will be scaled by a factor of V<sub>OUT</sub>/(V<sub>IN</sub> • Efficiency). For 5V to 30V regulator outputs, this means connecting the EXT<sub>V<sub>CC</sub></sub> pin directly to V<sub>OUT</sub>. Tying the EXT<sub>V<sub>CC</sub></sub> pin to an 8.5V supply reduces the junction temperature in the previous example from 125°C to:

$$T_J = 70^\circ\text{C} + (35\text{mA})(8.5\text{V})(43^\circ\text{C}/\text{W}) = 83^\circ\text{C}$$

However, for 3.3V and other low voltage outputs, additional circuitry is required to derive INT<sub>V<sub>CC</sub></sub> power from the output.

The following list summarizes the four possible connections for EXT<sub>V<sub>CC</sub></sub>:

1. EXT<sub>V<sub>CC</sub></sub> grounded. This will cause INT<sub>V<sub>CC</sub></sub> to be powered from the internal V<sub>IN</sub> LDO resulting in an efficiency penalty of up to 10% or more at high input voltages.
2. EXT<sub>V<sub>CC</sub></sub> connected directly to one of the regulator outputs. This is the normal connection for an application with an output in the range of 5V to 30V and provides the highest efficiency. If both outputs are in the 5V to 30V range, connect EXT<sub>V<sub>CC</sub></sub> to the lesser of the two outputs to maximize efficiency.
3. EXT<sub>V<sub>CC</sub></sub> connected to an external supply. If an external supply is available, it may be used to power EXT<sub>V<sub>CC</sub></sub> provided that it is compatible with the MOSFET gate drive requirements. This supply may be higher or lower than V<sub>IN</sub>; however, a lower EXT<sub>V<sub>CC</sub></sub> voltage results in higher efficiency.
4. EXT<sub>V<sub>CC</sub></sub> connected to an output-derived boost or charge pump. For regulators where both outputs are below 5V, efficiency gains can still be realized by connecting EXT<sub>V<sub>CC</sub></sub> to an output-derived voltage that has been boosted to greater than 4.8V.

## APPLICATIONS INFORMATION

### Topside MOSFET Driver Supply ( $C_B$ , $D_B$ )

External bootstrap capacitors  $C_B$  connected to the BOOST pins supply the gate drive voltages for the topside MOSFETs. Capacitor  $C_B$  in the Functional Diagram is charged through external diode  $D_B$  from  $INTV_{CC}$  when the SW pin is low.

When one of the topside MOSFETs is to be turned on, the driver places the  $C_B$  voltage across the gate-source of the desired MOSFET. This enhances the MOSFET and turns on the topside switch. The switch node voltage, SW, rises to  $V_{IN}$  and the BOOST pin follows. With the topside MOSFET on, the boost voltage is above the input supply:  $V_{BOOST} = V_{IN} + V_{INTV_{CC}}$ . The value of the boost capacitor  $C_B$  needs to be 100 times that of the total input capacitance of the topside MOSFET(s). For a typical application, a value of  $C_B = 0.1\mu F$  is generally sufficient.

The external diode  $D_B$  can be a Schottky diode or silicon diode, but in either case it should have low leakage and fast recovery. The reverse breakdown of the diode must be greater than  $V_{IN(MAX)}$ . Pay close attention to the reverse leakage at high temperatures where it generally increases substantially.

A leaky diode not only increases the quiescent current of the regulator, but it can create current path from the BOOST pin to  $INTV_{CC}$ . This will cause  $INTV_{CC}$  to rise if the diode leakage exceeds the current consumption on  $INTV_{CC}$ , which is primarily a concern in Burst Mode operation where the load on  $INTV_{CC}$  can be very small. There is an internal voltage clamp on  $INTV_{CC}$  that prevents the  $INTV_{CC}$  voltage from running away, but this clamp should be regarded as a failsafe only.

### Minimum On-Time Considerations

Minimum on-time  $t_{ON(MIN)}$  is the smallest time duration that the LTC7802 is capable of turning on the top MOSFET. It is determined by internal timing delays and the gate charge required to turn on the MOSFET. Low duty cycle applications may approach this minimum on time limit and care should be taken to ensure that:

$$t_{ON(MIN)} < \frac{V_{OUT}}{V_{IN} \cdot f_{OSC}}$$

If the duty cycle falls below what can be accommodated by the minimum on-time, the controller will begin to skip cycles. The output voltage will continue to be regulated, but the ripple voltage and current will increase. The minimum on-time for the LTC7802 is approximately 40ns. However, as the peak sense voltage decreases the minimum on-time for gradually increases up to about 60ns. This is of particular concern in forced continuous applications with low ripple current at light loads. If the duty cycle drops below the minimum on-time limit in this situation, a significant amount of cycle skipping can occur with correspondingly larger current and voltage ripple.

### Fault Conditions: Current Limit and Foldback

The LTC7802 includes current foldback to reduce the load current when the output is shorted to ground. If the output voltage falls below 50% of its regulation point, then the maximum sense voltage is progressively lowered from 100% to 40% of its maximum value. Under short-circuit conditions with very low duty cycles, the LTC7802 will begin cycle skipping to limit the short circuit current. In this situation the bottom MOSFET dissipates most of the power but less than in normal operation. The short-circuit ripple current is determined by the minimum on-time,  $t_{ON(MIN)} \approx 40ns$ , the input voltage and inductor value:

$$\Delta I_{L(SC)} = t_{ON(MIN)} \cdot V_{IN}/L$$

The resulting average short-circuit current is:

$$I_{SC} = 40\% \cdot I_{LIM(MAX)} - \Delta I_{L(SC)}/2$$

### Fault Conditions: Overvoltage Protection (Crowbar)

The overvoltage crowbar is designed to blow a system input fuse when the output voltage of the regulator rises much higher than nominal levels. The crowbar causes huge currents to flow that blow the fuse to protect against a shorted top MOSFET if the short occurs while the controller is operating.

If an output voltage rises 10% above the set regulation point, the top MOSFET is turned off and the bottom MOSFET is turned on until the overvoltage condition is cleared. The bottom MOSFET remains on continuously for as long as the overvoltage condition persists; if  $V_{OUT}$

## APPLICATIONS INFORMATION

returns to a safe level, normal operation automatically resumes.

A shorted top MOSFET will result in a high current condition which will open the system fuse. The switching regulator will regulate properly with a leaky top MOSFET by altering the duty cycle to accommodate the leakage.

### Fault Conditions: Overtemperature Protection

At higher temperatures, or in cases where the internal power dissipation causes excessive self-heating (such as a short from  $INTV_{CC}$  to ground) internal overtemperature shutdown circuitry will shut down the LTC7802. When the internal die temperature exceeds  $180^{\circ}\text{C}$ , the  $INTV_{CC}$  LDO and gate drivers are disabled. When the die cools to  $160^{\circ}\text{C}$ , the LTC7802 enables the  $INTV_{CC}$  LDO and resumes operation beginning with a soft-start startup. Long-term overstress ( $T_J > 125^{\circ}\text{C}$ ) should be avoided as it can degrade the performance or shorten the life of the part.

### Phase-Locked Loop and Frequency Synchronization

The LTC7802 has an internal phase-locked loop (PLL) which allows the turn-on of the top MOSFET of controller 1 to be synchronized to the rising edge of an external clock signal applied to the PLLIN/SPREAD pin. The turn on of controller 2's top MOSFET is thus  $180^{\circ}$  out of phase with the external clock.

Rapid phase-locking can be achieved by using the  $FREQ$  pin to set a free-running frequency near the desired synchronization frequency. Before synchronization, the PLL is prebiased to the frequency set by the  $FREQ$  pin. Consequently, the PLL only needs to make minor adjustments to achieve phase-lock and synchronization. Although it is not required that the free-running frequency be near the external clock frequency, doing so will prevent the oscillator from passing through a large range of frequencies as the PLL locks.

When synchronized to an external clock, the LTC7802 operates in pulse-skipping mode if it is selected by the  $MODE$  pin, or in forced continuous mode otherwise. The LTC7802 is guaranteed to synchronize to an external clock applied to the PLLIN/SPREAD pin that swings up

to at least 2.2V and down to 0.5V or less. Note that the LTC7802 can only be synchronized to an external clock frequency within the range of 100kHz to 3MHz.

### Efficiency Considerations

The percent efficiency of a switching regulator is equal to the output power divided by the input power times 100%. It is often useful to analyze individual losses to determine what is limiting the efficiency and which change would produce the most improvement. Percent efficiency can be expressed as:

$$\% \text{Efficiency} = 100\% - (L1 + L2 + L3 + \dots)$$

where L1, L2, etc. are the individual losses as a percentage of input power.

Although all dissipative elements in the circuit produce losses, four main sources usually account for most of the losses in LTC7802 circuits: 1) IC  $V_{IN}$  current, 2)  $INTV_{CC}$  regulator current, 3)  $I^2R$  losses, 4) Topside MOSFET transition losses.

1. The  $V_{IN}$  current is the DC supply current given in the Electrical Characteristics table, which excludes MOSFET driver and control currents. Other than at very light loads in burst mode,  $V_{IN}$  current typically results in a small ( $<0.1\%$ ) loss.
2.  $INTV_{CC}$  current is the sum of the MOSFET driver and control currents. The MOSFET driver current results from switching the gate capacitance of the power MOSFETs. Each time a MOSFET gate is switched from low to high to low again, a packet of charge,  $dQ$ , moves from  $INTV_{CC}$  to ground. The resulting  $dQ/dt$  is a current out of  $INTV_{CC}$  that is typically much larger than the control circuit current. In continuous mode,  $I_{GATECHG} = f_{SW}(Q_T + Q_B)$ , where  $Q_T$  and  $Q_B$  are the gate charges of the top and bottom MOSFETs.

Supplying  $INTV_{CC}$  from an output-derived source through  $EXTV_{CC}$  will scale the  $V_{IN}$  current required for the driver and control circuits by a factor of  $V_{OUT}/(V_{IN} \cdot \text{Efficiency})$ . For example, in a 20V to 5V application, 10mA of  $INTV_{CC}$  current results in approximately 2.5mA of  $V_{IN}$  current. This reduces the mid-current loss from 10% or more (if the driver was powered directly from  $V_{IN}$ ) to only a few percent.



## APPLICATIONS INFORMATION

3.  $I^2R$  losses are predicted from the DC resistances of the input fuse (if used), MOSFET, inductor, current sense resistor, and input and output capacitor ESR. In continuous mode the average output current flows through L and  $R_{SENSE}$ , but is chopped between the top and bottom MOSFETs. If the two MOSFETs have approximately the same  $R_{DS(ON)}$ , then the resistance of one MOSFET can simply be summed with the resistances of L,  $R_{SENSE}$  and ESR to obtain  $I^2R$  losses.

For example, if each  $R_{DS(ON)} = 30m\Omega$ ,  $R_L = 50m\Omega$ ,  $R_{SENSE} = 10m\Omega$  and  $ESR = 40m\Omega$  (sum of both input and output capacitance losses), then the total resistance is  $130m\Omega$ . This results in losses ranging from 3% to 13% as the output current increases from 1A to 5A for a 5V output, or a 4% to 20% loss for a 3.3V output. This percentage loss varies as the inverse square of  $V_{OUT}$  for the same external components and output power level. The combined effects of increasingly lower output voltages and higher currents required by high performance digital systems is not doubling but quadrupling the importance of loss terms in the switching regulator system!

4. Transition losses apply only to the top MOSFETs and become significant only when operating at higher input voltages (typically 15V or greater). Transition losses can be estimated from the equation for the main switch power dissipation in the Power MOSFET Selection section.

Other hidden losses such as copper trace and internal battery resistances can account for an additional 5% to 10% efficiency degradation in portable systems. It is very important to include these system level losses during the design phase. The internal battery and fuse resistance losses can be minimized by making sure that  $C_{IN}$  has adequate charge storage and very low ESR at the switching frequency. A 25W supply will typically require a minimum of 20 $\mu$ F to 40 $\mu$ F of capacitance having a maximum of 20m $\Omega$  to 50m $\Omega$  of ESR. The LTC7802 2-phase architecture typically halves this input capacitance requirement over competing solutions. Other losses including inductor core losses generally account for less than 2% total additional loss.

### Checking Transient Response

The regulator loop response can be checked by looking at the load current transient response. Switching regulators take several cycles to respond to a step in DC (resistive) load current. When a load step occurs,  $V_{OUT}$  shifts by an amount equal to  $\Delta I_{LOAD} \cdot (ESR)$ , where ESR is the effective series resistance of  $C_{OUT}$ .  $\Delta I_{LOAD}$  also begins to charge or discharge  $C_{OUT}$  generating the feedback error signal that forces the regulator to adapt to the current change and return  $V_{OUT}$  to its steady-state value. During this recovery time  $V_{OUT}$  can be monitored for excessive overshoot or ringing, which would indicate a stability problem.

OPTI-LOOP compensation allows the transient response to be optimized over a wide range of output capacitance and ESR values. The availability of the ITH pin not only allows optimization of control loop behavior, but it also provides a DC coupled and AC filtered closed loop response test point. The DC step, rise time and settling at this test point truly reflects the closed loop response. Assuming a predominantly second order system, phase margin and/or damping factor can be estimated using the percentage of overshoot seen at this pin. The bandwidth can also be estimated by examining the rise time at the pin. The ITH external components shown in the Typical Applications circuits provide an adequate starting point for most applications.

The ITH series  $R_C$ - $C_C$  filter sets the dominant pole-zero loop compensation. The values can be modified slightly (from 0.5 to 2 times their initial values) to optimize transient response once the final PC layout is done and the particular output capacitor type and value have been determined. The output capacitors need to be selected because the various types and values determine the loop gain and phase. An output current pulse of 20% to 80% of full-load current having a rise time of 1 $\mu$ s to 10 $\mu$ s will produce output voltage and ITH pin waveforms that will give a sense of the overall loop stability without breaking the feedback loop.

Placing a power MOSFET directly across the output capacitor and driving the gate with an appropriate signal generator is a practical way to produce a realistic load step condition. The initial output voltage step resulting

## APPLICATIONS INFORMATION

from the step change in output current may not be within the bandwidth of the feedback loop, so this signal cannot be used to determine phase margin. This is why it is better to look at the ITH pin signal which is in the feedback loop and is the filtered and compensated control loop response. The gain of the loop will be increased by increasing  $R_C$  and the bandwidth of the loop will be increased by decreasing  $C_C$ . If  $R_C$  is increased by the same factor that  $C_C$  is decreased, the zero frequency will be kept the same, thereby keeping the phase shift the same in the most critical frequency range of the feedback loop. The output voltage settling behavior is related to the stability of the closed-loop system and will demonstrate the actual overall supply performance.

A second, more severe transient is caused by switching in loads with large ( $>1\mu\text{F}$ ) supply bypass capacitors. The discharged bypass capacitors are effectively put in parallel with  $C_{OUT}$ , causing a rapid drop in  $V_{OUT}$ . No regulator can alter its delivery of current quickly enough to prevent this sudden step change in output voltage if the load switch resistance is low and it is driven quickly. If the ratio of  $C_{LOAD}$  to  $C_{OUT}$  is greater than 1:50, the switch rise time should be controlled so that the load rise time is limited to approximately  $C_{LOAD} \cdot 25\mu\text{s}/\mu\text{F}$ . Thus a  $10\mu\text{F}$  capacitor would require a  $250\mu\text{s}$  rise time, limiting the charging current to about 200mA.

### Design Example

As a design example, assume  $V_{IN(NOMINAL)} = 12\text{V}$ ,  $V_{IN(MAX)} = 22\text{V}$ ,  $V_{OUT} = 3.3\text{V}$ ,  $I_{OUT} = 20\text{A}$ , and  $f_{SW} = 1\text{MHz}$ .

1. Set the operating frequency. The frequency is not one of the internal preset values, so a resistor from the FREQ pin to GND is required, with a value of:

$$R_{FREQ}(\text{in } k\Omega) = \frac{37\text{MHz}}{1\text{MHz}} - 37k\Omega$$

2. Determine the inductor value. Initially select a value based on an inductor ripple current of 30%. The

inductor value can then be calculated from the following equation:

$$L = \frac{V_{OUT}}{f_{SW}(\Delta I_L)} \left( 1 - \frac{V_{OUT}}{V_{IN(NOM)}} \right) = 0.4\mu\text{H}$$

The highest value of ripple current occurs at the maximum input voltage. In this case the ripple at  $V_{IN} = 22\text{V}$  is 35%

3. Verify that the minimum on-time of 40ns is not violated. The minimum on-time occurs at  $V_{IN(MAX)}$ :

$$t_{ON(MIN)} = \frac{V_{OUT}}{V_{IN(MAX)}(f_{SW})} = 150\text{ns}$$

This is more than sufficient to satisfy the minimum on time requirement. If the minimum on time is violated, the LTC7802 skips pulses at high input voltage, resulting in lower frequency operation and higher inductor current ripple than desired. If undesirable, this behavior can be avoided by decreasing the frequency (with the inductor value accordingly adjusted) to avoid operation near the minimum on-time.

4. Select the  $R_{SENSE}$  resistor value. The peak inductor current is the maximum DC output current plus half of the inductor ripple current. Or  $20\text{A} \cdot (1+0.30/2) = 23\text{A}$  in this case. The  $R_{SENSE}$  resistor value can then be calculated based on the minimum value for the maximum current sense threshold (45mV):

$$R_{SENSE} \leq \frac{45\text{mV}}{23\text{A}} \cong 2\text{m}\Omega$$

To allow for additional margin, a lower value  $R_{SENSE}$  may be used (for example,  $1.8\text{m}\Omega$ ); however, be sure that the inductor saturation current has sufficient margin above  $V_{SENSE(MAX)}/R_{SENSE}$ , where the maximum value of 55mV is used for  $V_{SENSE(MAX)}$ .

For this low inductor value and high current application, an RC filter into the sense pins should be used to compensate for the parasitic inductance (ESL) of the sense resistor. Assuming an  $R_{SENSE}$  geometry of 1225 with a parasitic inductance of 0.2nH, the RC

## APPLICATIONS INFORMATION

filter time constant should be  $RC = ESL/R_{SENSE} = 0.2nH/2m\Omega = 100ns$ , which may be implemented with  $100\Omega$  resistor in series with the SENSE<sup>+</sup> pin and  $1nF$  capacitor between SENSE<sup>+</sup> and SENSE<sup>-</sup>.

- Select the feedback resistors. If very light load efficiency is required, high value feedback resistors may be used to minimize the current due to the feedback divider. However, in most applications a feedback divider current in the range of  $10\mu A$  to  $100\mu A$  or more is acceptable. For a  $50\mu A$  feedback divider current,  $R_A = 0.8V/50\mu A = 16k\Omega$ .  $R_B$  can then be calculated as  $R_B = R_A(3.3V/0.8V - 1) = 50k\Omega$ .
- Select the MOSFETs. The best way to evaluate MOSFET performance in a particular application is to build and test the circuit on the bench, facilitated by an LTC7802 demo board. However, an educated guess about the application is helpful to initially select MOSFETs. Since this is a high current, low voltage application,  $I^2R$  losses will likely dominate over transition losses for the top MOSFET. Therefore, choose a MOSFET with lower  $R_{DS(ON)}$  as opposed to lower gate charge to minimize the combined loss terms. The bottom MOSFET does not experience transition losses, and its power loss is generally dominated by  $I^2R$  losses. For this reason, the bottom MOSFET is typically chosen to be of lower  $R_{DS(ON)}$  and subsequently higher gate charge than the top MOSFET.

Due to the high current in this application, two MOSFETs may be needed in parallel to more evenly balance the dissipated power and to lower the  $R_{DS(ON)}$ . Be sure to select logic-level threshold MOSFETs, since the gate drive voltage is limited to  $5.1V$  (INTV<sub>CC</sub>). Minimize the inductance of the TG and BG gate drive traces and their respective return paths to the controller IC (SW and GND) by using wide traces and multiple parallel vias.

- Select the input and output capacitors.  $C_{IN}$  is chosen for an RMS current rating of at least  $10A$  ( $I_{OUT}/2$ , with margin) at temperature assuming only this channel is on.  $C_{OUT}$  is chosen with an ESR of  $3m\Omega$  for low output ripple. Multiple capacitors connected in parallel may be required to reduce the ESR to this level. The

output ripple in continuous mode will be highest at the maximum input voltage. The output voltage ripple due to ESR is approximately:

$$V_{ORIPPLE} = ESR \cdot \Delta I_L = 3m\Omega \cdot 6A = 18mV_{P-P}$$

On the  $3.3V$  output, this is equal to  $0.55\%$  of peak to peak voltage ripple.

- Determine the bias supply components. Since the regulated output is not greater than the EXT<sub>VCC</sub> switchover threshold ( $4.7V$ ), it cannot be used to bias INT<sub>VCC</sub>. However, if another supply is available, for example if the other channel is regulating to  $5V$ , connect that supply to EXT<sub>VCC</sub> to improve the efficiency.

For a  $6.5ms$  soft-start, select a  $0.1\mu F$  capacitor for the TRACK/SS pin. As a first pass estimate for the bias components, select  $C_{INTVCC} = 4.7\mu F$ , boost supply capacitor  $C_B = 0.1\mu F$  and low forward drop boost supply diode CMDSH-4E from Central Semiconductor.

- Determine and set application-specific parameters. Set the MODE pin based on the trade-off of light load efficiency and constant frequency operation. Set the PLLIN/SPREAD pin based on whether a fixed, spread spectrum, or phase-locked frequency is desired. The RUN pin can be used to control the minimum input voltage for regulator operation or can be tied to  $V_{IN}$  for always-on operation. Use ITH compensation components from the typical applications as a first guess, check the transient response for stability, and modify as necessary.

### PC Board Layout Checklist

When laying out the printed circuit board, the following checklist should be used to ensure proper operation of the IC. Figure 8 illustrates the current waveforms present in the various branches of the synchronous regulators operating in the continuous mode. Check the following in your layout:

- Are the top N-channel MOSFETs located within  $1cm$  of each other with a common drain connection at  $C_{IN}$ ? Decoupling capacitors for the two channels they should be close to each other to avoid a large resonant loop.

## APPLICATIONS INFORMATION

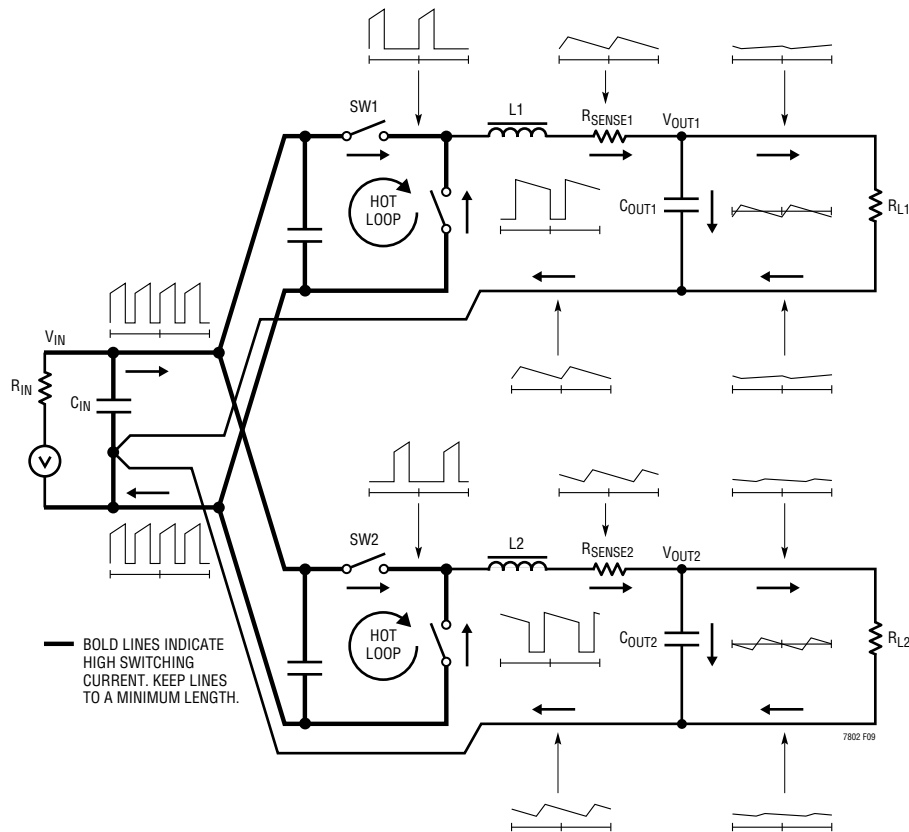


Figure 8. Branch Current Waveforms for Bucks

- Are the signal and power grounds kept separate? The combined IC ground pin and the ground return of  $C_{INTV_{CC}}$  must return to the combined  $C_{OUT}$  (-) terminals. The area of the “hot loop” formed by the top N-channel MOSFET, bottom N-channel MOSFET and the high frequency (ceramic) input capacitors, as shown in Figure 8, should be minimized with short leads, planar connections, and multiple paralleled vias where needed. The output capacitor (-) terminals should be connected as close as possible to the (-) terminals of the input capacitor.
- Do the LTC7802  $V_{FB}$  pins’ resistive dividers connect to the (+) terminals of  $C_{OUT}$ ? The resistive divider must be connected between the (+) terminal of  $C_{OUT}$  and signal ground. Place the divider close to the  $V_{FB}$  pin to minimize noise coupling into the sensitive  $V_{FB}$  node.

The feedback resistor connections should not be along the high current input feeds from the input capacitor(s).

- Are the  $SENSE^-$  and  $SENSE^+$  leads routed together with minimum PC trace spacing? Route these traces away from the high frequency switching nodes, on an inner layer if possible. The filter capacitor between  $SENSE^+$  and  $SENSE^-$  should be as close as possible to the IC. Ensure accurate current sensing with Kelvin connections at the sense resistor.
- Is the  $INTV_{CC}$  decoupling capacitor connected close to the IC, between the  $INTV_{CC}$  and the power ground pin? This capacitor carries the MOSFET drivers’ current peaks. An additional  $1\mu F$  ceramic capacitor placed immediately next to the  $INTV_{CC}$  and GND pins can help improve noise performance substantially. The boost diodes should have separate routes directly to the  $INTV_{CC}$  capacitor near the IC, not shared with any signal connections to  $INTV_{CC}$ .

## APPLICATIONS INFORMATION

6. Keep the switching nodes (SW1, SW2), top gate nodes (TG1, TG2), and boost nodes (BOOST1, BOOST2) away from sensitive small-signal nodes, especially from the other channel's voltage and current sensing feedback pins. All of these nodes have very large and fast-moving signals and therefore should be kept on the output side of the LTC7802 and occupy minimum PC trace area. Minimize the inductance of the TG and BG gate drive traces and their respective return paths to the controller IC (SW and GND) by using wide traces and multiple parallel vias.
7. Use a modified star ground technique: a low impedance, large copper area central grounding point on the same side of the PC board as the input and output capacitors with tie-ins for the bottom of the  $INTV_{CC}$  decoupling capacitor, the bottom of the voltage feedback resistive divider and the GND pin of the IC.

For more detailed layout guidance, see Analog Devices Application Notes AN136 "PCB Layout Considerations for Non-Isolated Switching Power Supplies" and AN139 "Power Supply Layout and EMI".

### PC Board Layout Debugging

Start with one controller on at a time. It is helpful to use a DC-50MHz current probe to monitor the current in the inductor while testing the circuit. Monitor the output switching node (SW pin) to synchronize the oscilloscope to the internal oscillator and probe the actual output voltage as well. Check for proper performance over the operating voltage and current range expected in the application. The frequency of operation should be maintained over the input voltage range down to dropout and until the output load drops below the low current operation threshold—typically 25% of the maximum designed current level in Burst Mode operation.

The duty cycle percentage should be maintained from cycle to cycle in a well-designed, low noise PCB implementation. Variation in the duty cycle at a subharmonic rate can suggest noise pickup at the current or voltage sensing inputs or inadequate loop compensation.

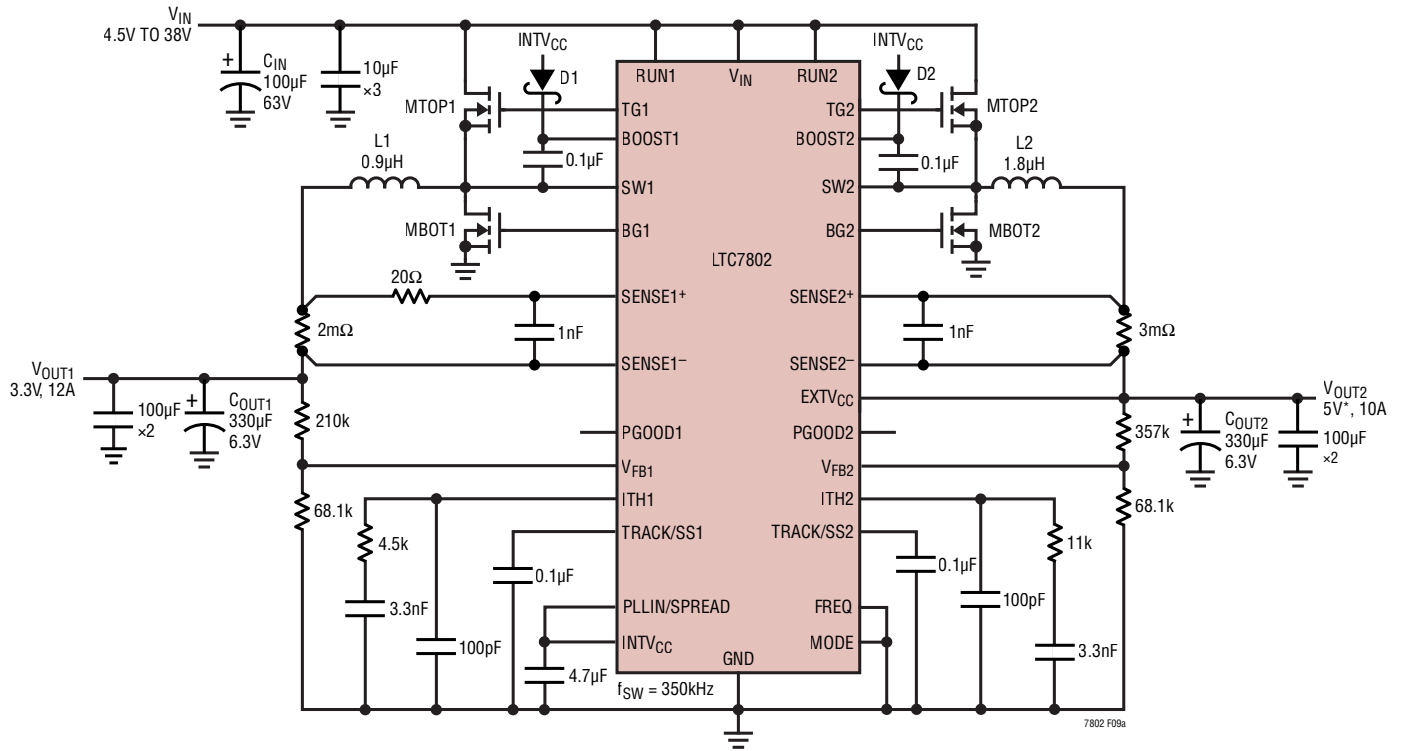
Overcompensation of the loop can be used to tame a poor PC layout if regulator bandwidth optimization is not required. Only after each controller is checked for its individual performance should both controllers be turned on at the same time. A particularly difficult region of operation is when one controller channel is nearing its current comparator trip point when the other channel is turning on its top MOSFET. This occurs around 50% duty cycle on either channel due to the phasing of the internal clocks and may cause minor duty cycle jitter.

Reduce  $V_{IN}$  from its nominal level to verify operation of the regulator in dropout. Check the operation of the undervoltage lockout circuit by further lowering  $V_{IN}$  while monitoring the outputs to verify operation. Investigate whether any problems exist only at higher output currents or only at higher input voltages. If problems coincide with high input voltages and low output currents, look for capacitive coupling between the BOOST, SW, TG, and possibly BG connections and the sensitive voltage and current pins. The capacitor placed across the current sensing pins needs to be placed immediately adjacent to the pins of the IC. This capacitor helps to minimize the effects of differential noise injection due to high frequency capacitive coupling. If problems are encountered with high current output loading at lower input voltages, look for inductive coupling between  $C_{IN}$ , the top MOSFET, and the bottom MOSFET components to the sensitive current and voltage sensing traces. In addition, investigate common ground path voltage pickup between these components and the GND pin of the IC.

An embarrassing problem, which can be missed in an otherwise properly working switching regulator, results when the current sensing leads are hooked up backwards. The output voltage under this improper hookup will still be maintained but the advantages of current mode control will not be realized. Compensation of the voltage loop will be much more sensitive to component selection. This behavior can be investigated by temporarily shorting out the current sensing resistor—don't worry, the regulator will still maintain control of the output voltage.



## TYPICAL APPLICATIONS

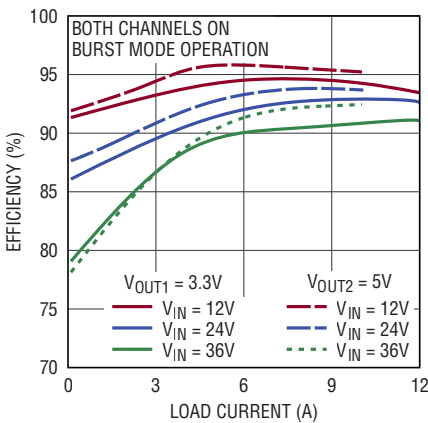


L1: WURTH 744355090  
 L2: WURTH 744313180  
 MTOP1,2: INFINEON BSC059N04LS6  
 MBOT1,2: INFINEON BSC022N04LS6

D1,2: CENTRAL SEMI CMDSH-4E  
 CIN: SUNCON 63CE100LX  
 COUT1,2: KEMET T520V337M006ATE015  
 \*VOUT2 FOLLOWS VIN WHEN VIN < 5V

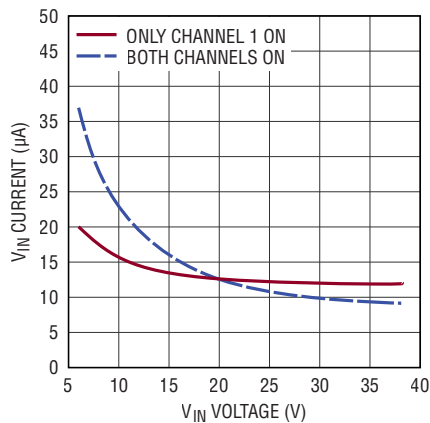
7802 F09a

**Efficiency vs Load Current**



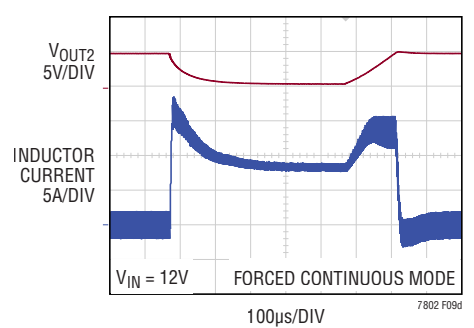
7802 F09b

**No-Load Burst Mode Input Current vs Input Voltage**



7802 F09c

**Short-Circuit Response**

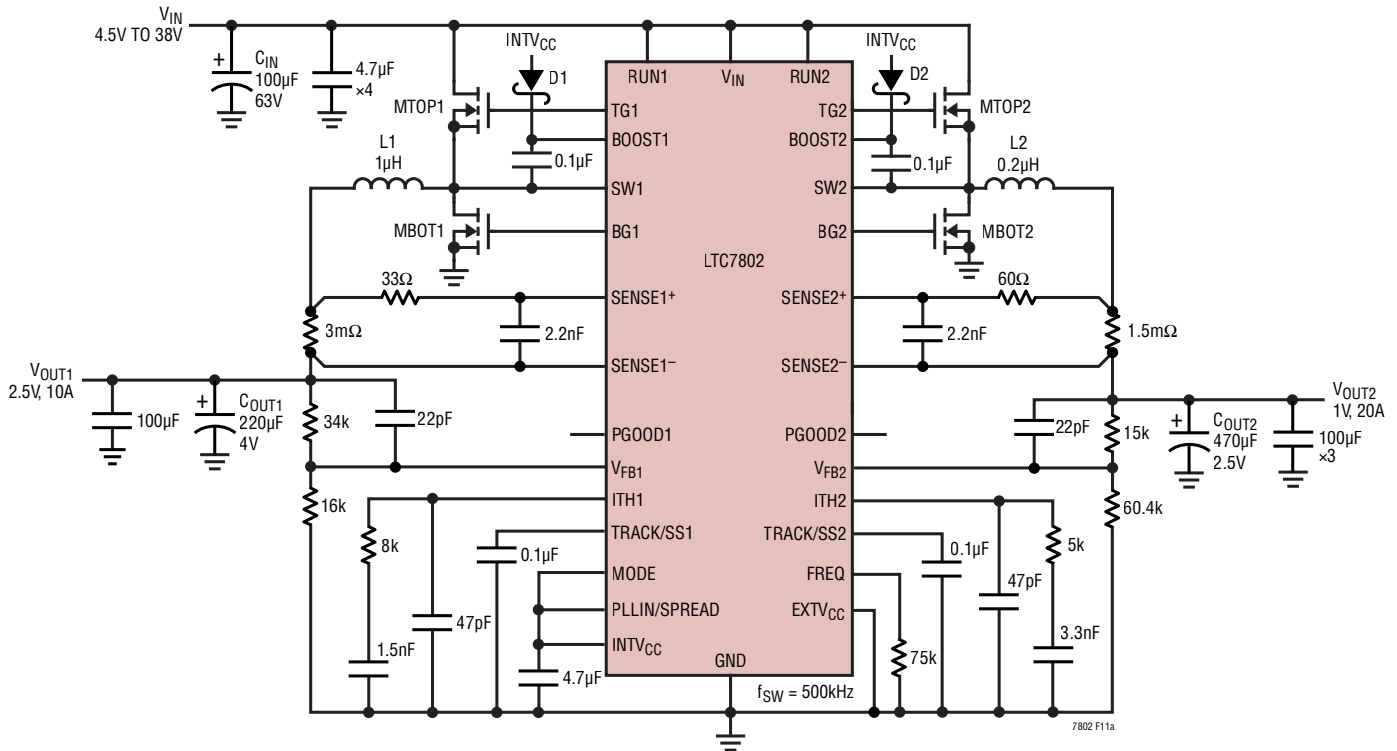


7802 F09d

**Figure 9. High Efficiency Dual 3.3V, 5V Step-Down Regulator with Spread Spectrum**



## TYPICAL APPLICATIONS



- L1: WURTH 744311100
- L2: WURTH 744308020
- COUT1: KEMET T520V227M004ATE007
- COUT2: KEMET T520V477M2R5ATE006
- CIN: SUNCON 63HVPF100M
- MTOP1: VISHAY SIR426DP
- MTOP2: VISHAY SIJA72ADP
- MBOT1,2: VISHAY SIR640ADP
- D1,2: CENTRAL SEMI CMDSH-4E

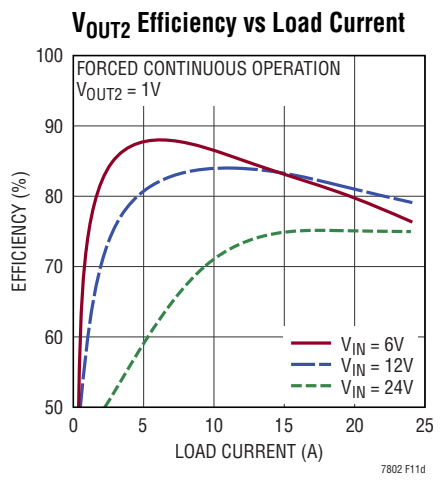
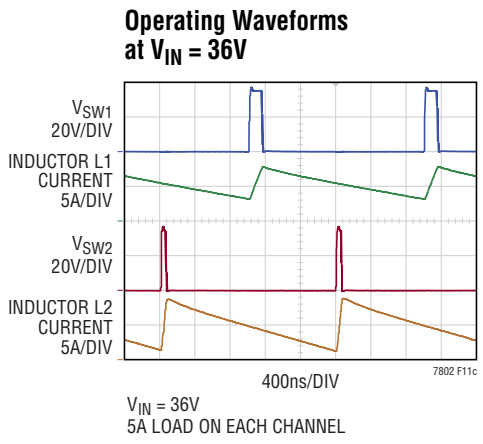
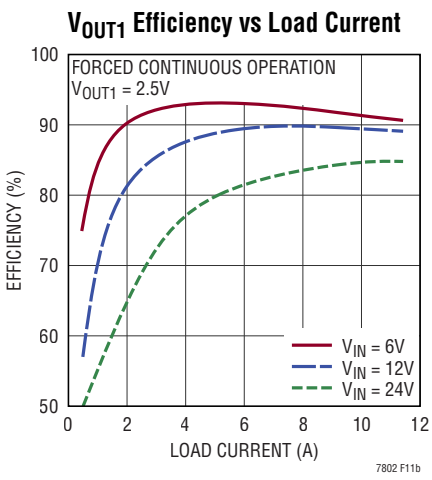
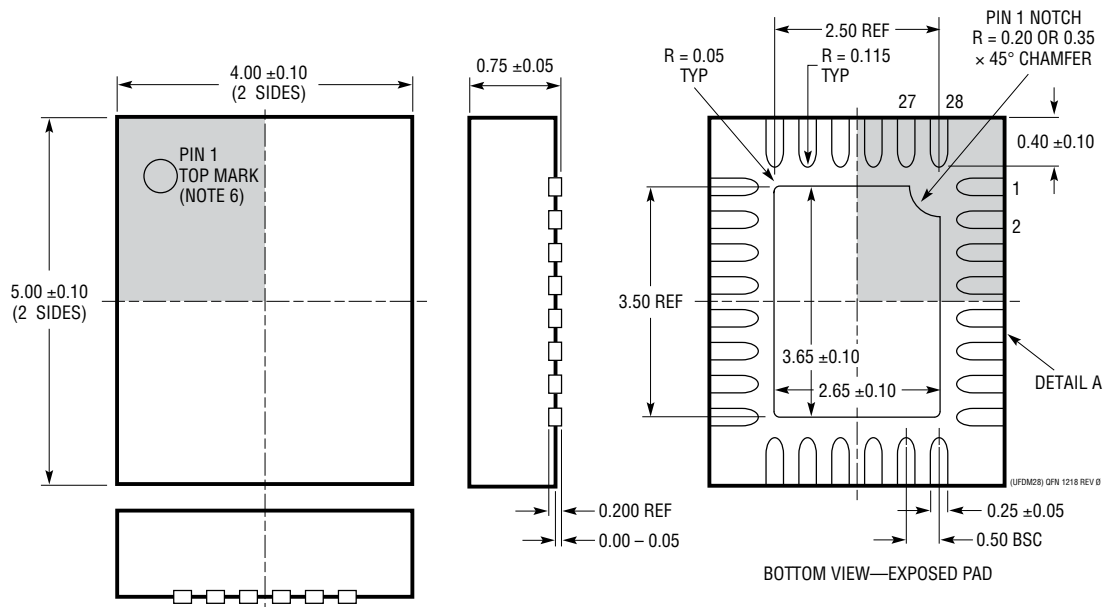


Figure 11. High Efficiency 500kHz 1V, 20A and 2.5V, 10A Regulator with Spread Spectrum

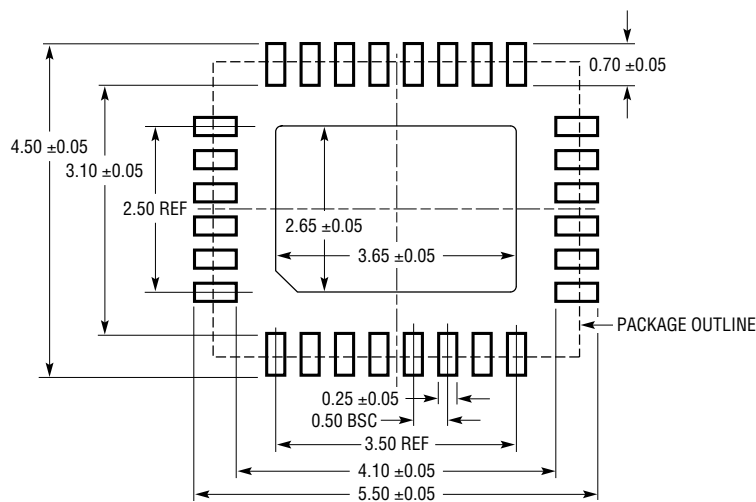
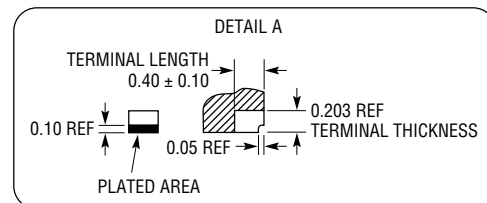


# PACKAGE DESCRIPTION

## UFDM Package 28-Lead Plastic Side Wettable QFN (4mm × 5mm) (Reference LTC DWG # 05-08-1682 Rev 0)



- NOTE:
1. DRAWING NOT TO SCALE
  2. ALL DIMENSIONS ARE IN MILLIMETERS
  3. DIMENSIONS OF EXPOSED PAD ON BOTTOM OF PACKAGE DO NOT INCLUDE MOLD FLASH. MOLD FLASH, IF PRESENT, SHALL NOT EXCEED 0.15mm ON ANY SIDE
  4. SHADED AREA IS ONLY A REFERENCE FOR PIN 1 LOCATION ON THE TOP AND BOTTOM OF PACKAGE



## TYPICAL APPLICATION

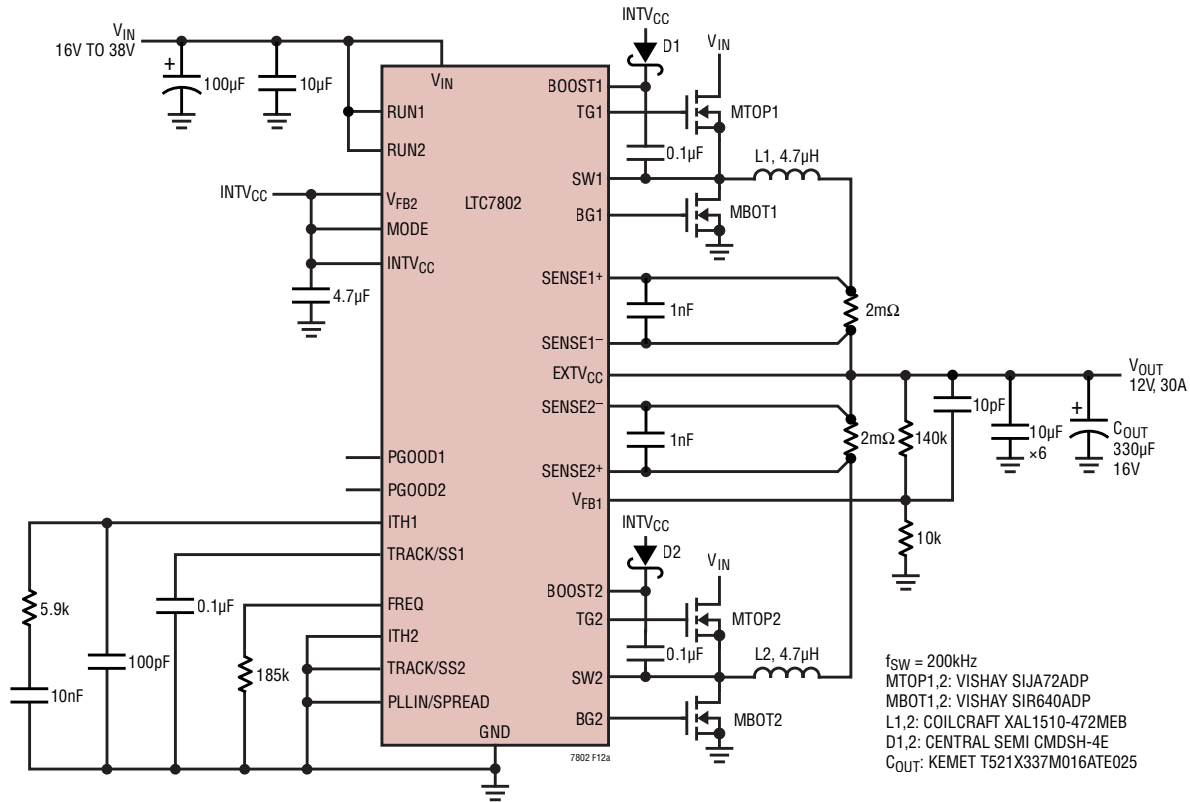


Figure 12. High Efficiency 360W 2-Phase Single Output 12V Step-Down Regulator

## RELATED PARTS

| PART NUMBER   | DESCRIPTION  | COMMENTS  |
|---|--|---|
| <a href="#">LTC7802-3.3</a>                           | 40V Dual Low $I_Q$ , 3MHz, 2-Phase Synchronous Step-Down Controller with Spread Spectrum and Fixed $3.3V_{OUT1}$ | $4.5V \leq V_{IN} \leq 40V$ , $V_{OUT}$ Up to 40V, $I_Q = 12\mu A$ Fixed Frequency 100kHz to 3MHz, 4mm × 5mm QFN-28                       |
| <a href="#">LTC7803</a>                               | 40V Low $I_Q$ , 100% Duty Cycle, Synchronous Step-Down Controller with Spread Spectrum                           | $4.5V \leq V_{IN} \leq 40V$ , $V_{OUT}$ Up to 40V, $I_Q = 12\mu A$ Fixed Frequency 100kHz to 3MHz, 3mm × 3mm QFN-16/MSOP-16               |
| <a href="#">LTC3807</a>                               | 38V Low $I_Q$ , Synchronous Step-Down Controller with 24V Output Voltage Capability                              | $4V \leq V_{IN} \leq 38V$ , $0.8V \leq V_{OUT} \leq 24V$ , $I_Q = 50\mu A$ PLL Fixed Frequency 50kHz to 900kHz, 3mm × 4mm QFN-20/TSSOP-20 |
| <a href="#">LTC3890/LTC3890-1/LTC3890-2/LTC3890-3</a> | 60V, Low $I_Q$ , Dual 2-Phase Synchronous Step-Down DC/DC Controller with 99% Duty Cycle                         | $4V \leq V_{IN} \leq 60V$ , $0.8V \leq V_{OUT} \leq 24V$ , $I_Q = 50\mu A$ PLL Fixed Frequency 50kHz to 900kHz                            |
| <a href="#">LTC3892</a>                               | 60V Low $I_Q$ , Dual, 2-Phase Synchronous Step-Down DC/DC Controller with Adjustable Gate Drive Voltage          | $4V \leq V_{IN} \leq 60V$ , $0.8V \leq V_{OUT} \leq 24V$ , $I_Q = 29\mu A$ PLL Fixed Frequency 50kHz to 900kHz                            |
| <a href="#">LTC3850</a>                               | Dual, 2-Phase Synchronous Step-Down DC/DC Controller   | $4V \leq V_{IN} \leq 24V$ , $V_{OUT}$ Up to 5.5V PLL Fixed Frequency 250kHz to 750kHz   |
| <a href="#">LTC3855</a>                               | Dual, Multiphase, Synchronous Step-Down DC/DC Controller with Diff Amp and DCR Temperature Compensation          | $4.5V \leq V_{IN} \leq 38V$ , $0.8V \leq V_{OUT} \leq 12V$ PLL Fixed Frequency 250kHz to 770kHz, Excellent Current Share                  |
| <a href="#">LTC3869/LTC3869-2</a>                     | Dual Output, 2-Phase Synchronous Step-Down DC/DC Controller, with Accurate Current Share                         | $4V \leq V_{IN} \leq 38V$ , $V_{OUT}$ Up to 12.5V PLL Fixed 250kHz to 750kHz Frequency  |
| <a href="#">LTC3875</a>                               | Dual, 2-Phase, Synchronous Controller with Sub-Milliohm DCR Sensing and Temperature Compensation                 | $4.75V \leq V_{IN} \leq 38V$ , $0.6V \leq V_{OUT} \leq 3.5V/5V$ , Excellent Current Share   |
| <a href="#">LTC3774</a>                               | Dual, Multiphase Current Mode Synchronous Step-Down DC/DC Controller for Sub-Milliohm DCR Sensing                | Operates with DrMOS, Power Blocks or External Drivers/MOSFETs, $4.5V \leq V_{IN} \leq 38V$ , $0.6V \leq V_{OUT} \leq 3.5V$                |

Rev. 0

# Mouser Electronics

Authorized Distributor

Click to View Pricing, Inventory, Delivery & Lifecycle Information:

[Analog Devices Inc.:](#)

[LTC7802EUFDM#PBF](#) [LTC7802EUFDM#TRPBF](#) [LTC7802IUFDM#WPBF](#) [LTC7802IUFDM#WTRPBF](#)  
[LTC7802JUFDMA#WPBF](#) [LTC7802JUFDMA#WTRPBF](#) [DC2922A-A](#) [DC2922A-B](#)