

LT8604C

High Efficiency 42V, 120mA Synchronous Buck Regulator

DESCRIPTION

Demonstration circuit 2867A features the **LT[®]8604C**, a high efficiency 42V, 120mA synchronous step-down regulator in 12-Lead 2mm × 2mm LQFN package. The demo board is designed for 120mA at 5V output from a 5.8V to 42V input, with the switching frequency programmed at 2MHz. The wide input range allows a variety of input sources, such as automotive batteries and industrial supplies.

The LT8604C is a compact high efficiency, and high frequency synchronous monolithic step-down switching regulator, with soft-start capacitor, compensation network, BST and INTV_{CC} capacitors, all packed into a 2mm by 2mm package.

The switching frequency can be programmed via an oscillator resistor over a wide range from 200kHz to 2.2MHz, or sync to external clock through SYNC/MODE pin. Peak current mode control with minimum on-time of as small as 35ns allows high step-down conversion even at high frequency.

The operation mode can be configured via the SYNC/MODE pin for forced continuous mode, Burst Mode[®] operation, or spread spectrum mode. While in Burst Mode

operation, the current limit of the LT8604C top switch is approximately 215mA. The switching frequency will be far lower than the RT programmed frequency, and correspondingly much higher efficiency over wide loads ranges.

The low quiescent current and high efficiency in Burst Mode make it an ideal solution for applications requiring highest efficiency at very light load conditions, such as automotive housekeeping supplies, industrial sensors, flow meters, Internet of Things, and battery powered portable instruments.

The demo board 2867A has an EMI filter installed. The EMI performance of the board running in SSFM mode is shown in Figure 2, where the red lines are CISPR25 Class 5 average limits. The circuit passes the average limit with a wide margin.

The LT8604/LT8604C data sheet gives a complete description of the part, operation, and application information. The data sheet must be read in conjunction with this demo manual. Contact ADI applications engineer for technical support.

[Design files for this circuit board are available.](#)

All registered trademarks and trademarks are the property of their respective owners.

PERFORMANCE SUMMARY Specifications are at T_A = 25°C

SYMBOL	PARAMETER	CONDITIONS	MIN	TYP	MAX	UNITS
V _{IN}	Input Supply Range		5.8		42	V
V _{OUT}	Output Voltage		4.85	5	5.15	V
I _{OUT}	Maximum Output Current		120			mA
f _{SW}	Switching Frequency, FCM	V _{IN} = 12V, I _{OUT} = 120mA	1.85	2	2.15	MHz
EFF	Efficiency, FCM	V _{IN} = 12V, I _{OUT} = 120mA		90		%

QUICK START PROCEDURE

Demonstration circuit 2867A is easy to set up to evaluate the performance of the LT8604C. Refer to Figure 1 for proper measurement equipment setup and follow the procedure below:

1. With power off, connect the DC power supply to VEMI or VIN and GND, and load from VOUT to GND.
2. By default, JP1 should be connected to VOUT. If it is not connected to any other supply, it should be tied to GND.
3. Turn on the power at the input. Make sure that the input voltage does not exceed 42V, and the load current does not exceed 120mA.
4. Check for the proper output voltage (5V). If there is no output, temporarily disconnect the load to make sure that the load is not set too high or the output terminal VOUT is shorted to ground.
5. Once the proper output voltage is established, adjust the load within the operating ranges and observe the output voltage regulation, ripple voltage, load transient, efficiency, and other parameters.

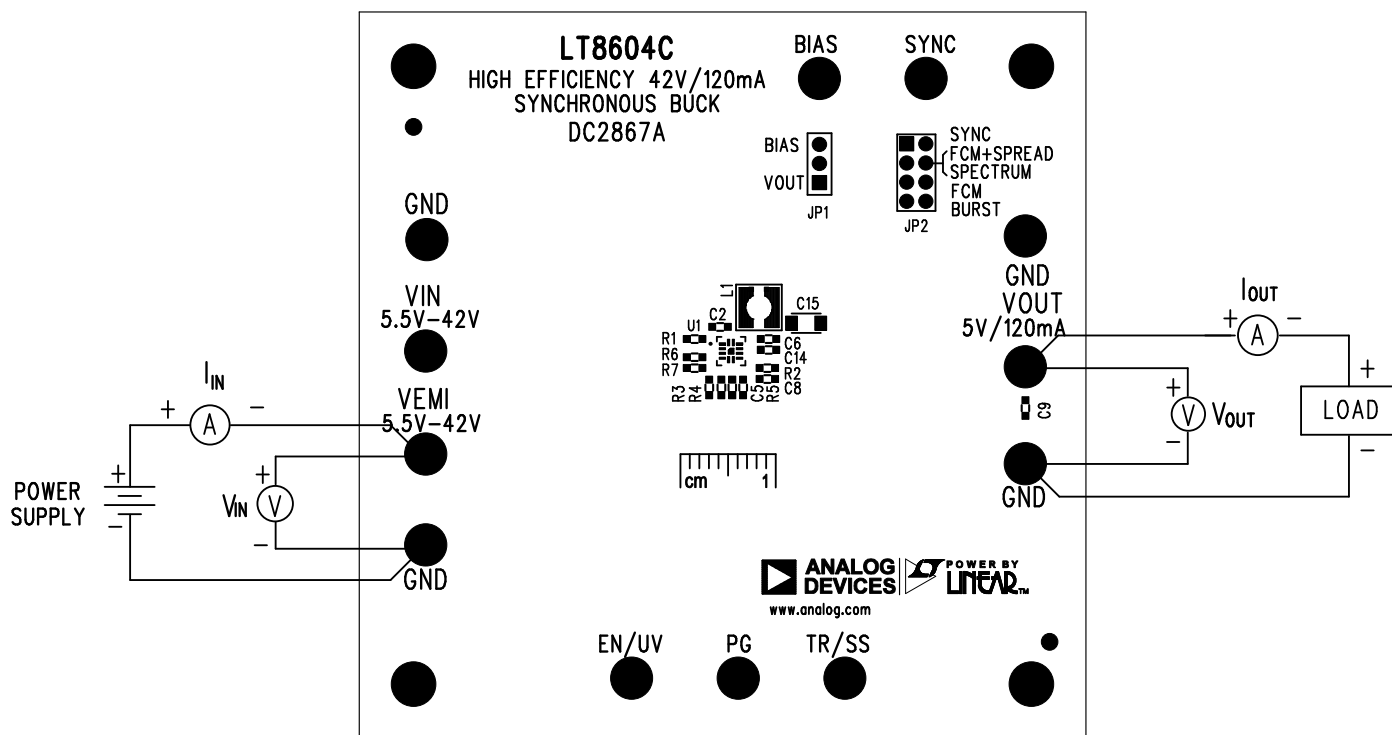


Figure 1. Proper Measurement Equipment Setup

QUICK START PROCEDURE

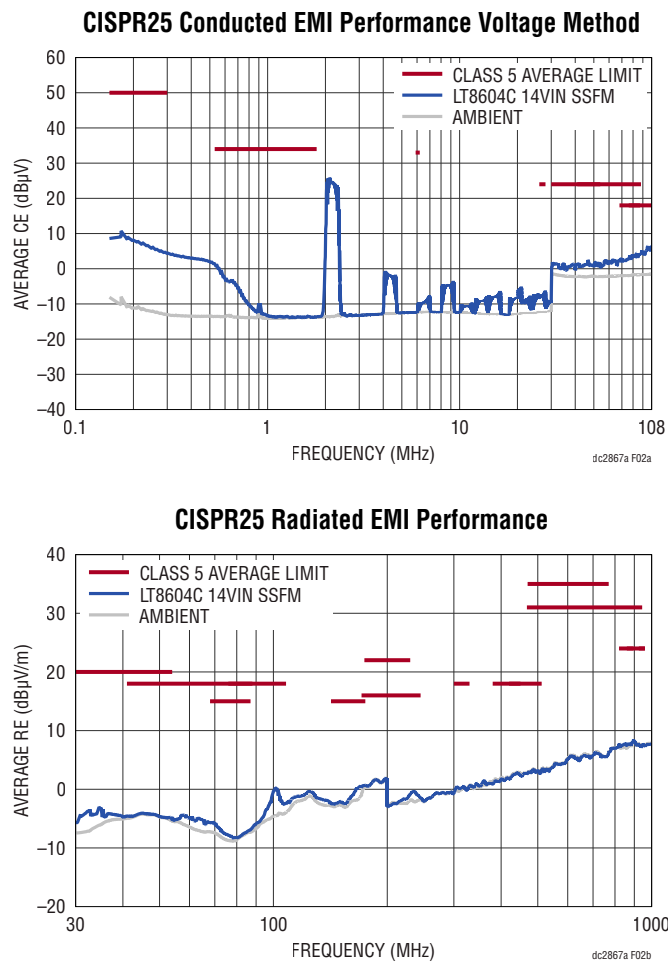


Figure 2. Conducted and Radiated EMI Performance of the DC2867A. $V_{IN} = 14V$, $I_{OUT} = 120mA$

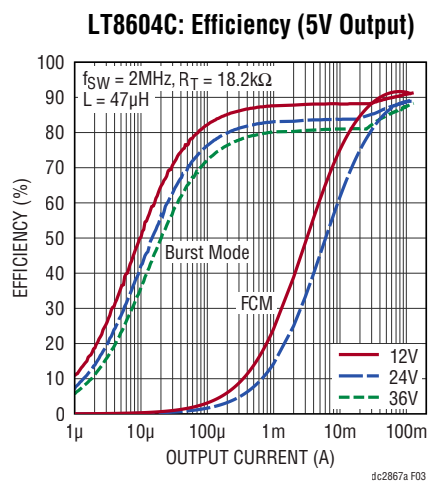


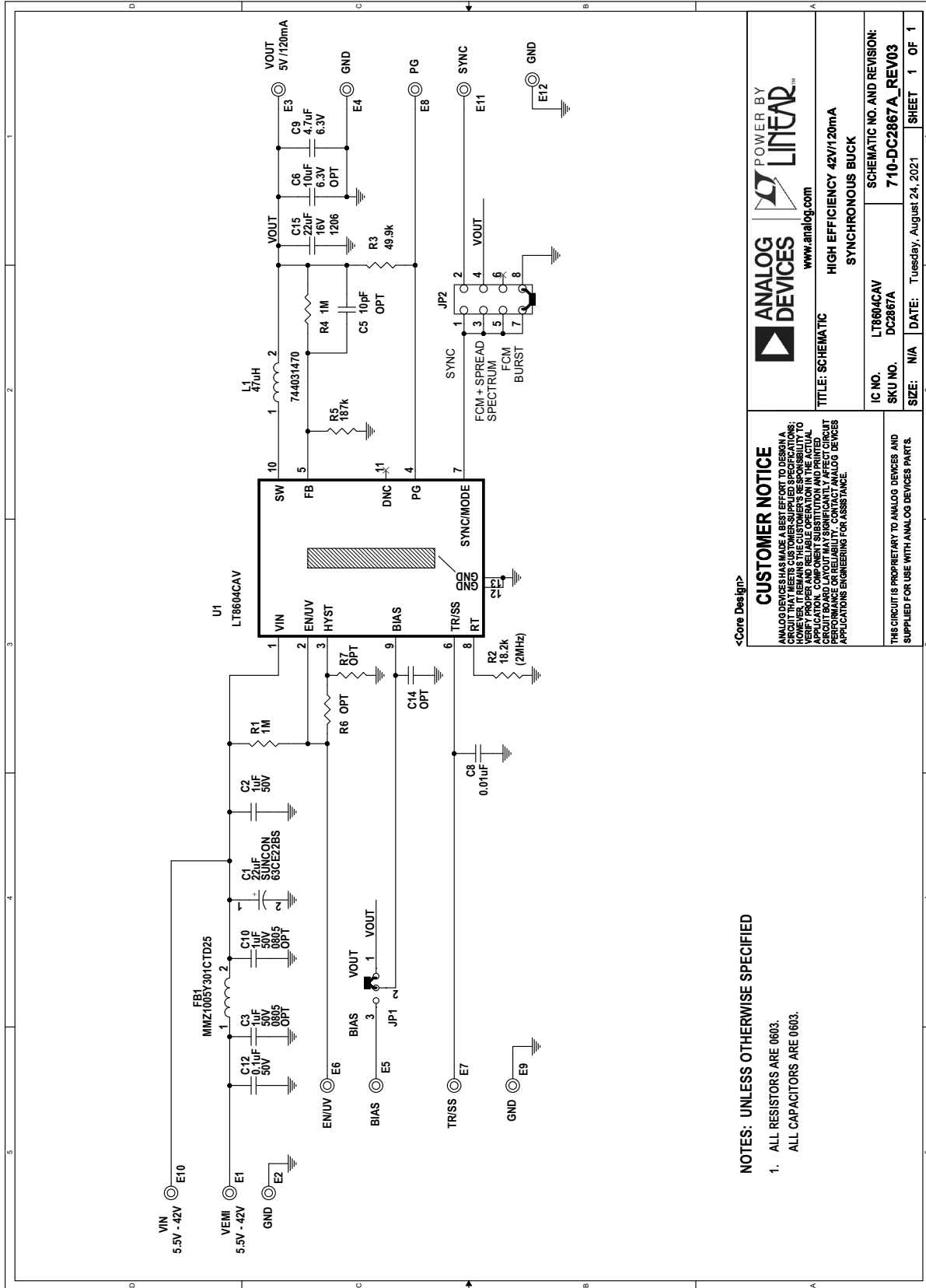
Figure 3. Efficiency in Burst Mode and Forced Continuous Mode. $R_T = 18.2k$

DEMO MANUAL DC2867A

PARTS LIST

ITEM	QTY	REFERENCE	PART DESCRIPTION	MANUFACTURER/PART NUMBER
Required Circuit Components				
1	1	C1	CAP, 22 μ F, ALUM. ELECT, 63V, 20%, 6.3x7.7mm, CE-BS	SUN ELECTRONIC INDUSTRIES CORP, 63CE22BS
2	1	C2	CAP, 1 μ F, X7R, 50V, 10%, 0603	AVX, 06035C105KAT2A
3	1	C8	CAP, 0.01 μ F, X7R, 16V, 10%, 0603	AVX, 0603YC103KAT2A
4	1	C9	CAP, 4.7 μ F, X5R, 6.3V, 10%, 0603	KEMET, C0603C475K9PACTU
5	1	C12	CAP, 0.1 μ F, X7R, 50V, 10%, 0603	AVX, 06035C104KAT2A
6	1	C15	CAP, 22 μ F, X5R, 16V, 10%, 1206	AVX, 1206YD226KAT2A
7	1	FB1	IND., 300 Ω , FERRITE BEAD, 25%, 250mA, 0402, AEC-Q200	MMZ1005Y301CTD25
8	1	L1	IND., 47 μ H, PWR, SHIELDED, 30%, 0.39A, 940m Ω , 3816	WURTH ELEKTRONIK, 744031470
9	2	R1, R4	RES., 1M, 1%, 1/10W, 0603, AEC-Q200	VISHAY, CRCW06031M00FKEA
10	1	R2	RES., 18.2k, 1%, 1/10W, 0603, AEC-Q200	PANASONIC, ERJ3EKF1822
11	1	R3	RES., 49.9k, 1%, 1/10W, 0603	NIC, NRC06F4992TRF
12	1	R5	RES., 187k, 1%, 1/10W, 0603, AEC-Q200	PANASONIC, ERJ3EKF1873V
13	1	U1	IC, 42V 120mA BUCK REGULATOR, LQFN-12	ANALOG DEVICES, LT8604CAV#TRMPBF
Additional Demo Board Circuit Components				
1	0	C5	CAP, 10pF, C0G, 16V, 5%, 0603, OPT	
2	0	C6	CAP, 10 μ F, X5R, 6.3V, 20%, 0603, OPT	
3	0	C3, C10	CAP, 1 μ F, X7R, 50V, 10%, 0805	
4	0	C14	CAP, OPTION, 0603	
5	0	R6, R7	RES., OPTION, 0603	
Hardware: For Demo Board Only				
1	10	E1-E10	TEST POINT, TURRET, 0.094" MTG. HOLE, PCB 0.062" THK	MILL-MAX, 2501-2-00-80-00-00-07-0
2	1	JP1	CONN., HDR, MALE, 1x3, 2mm, VERT, ST, THT, NO SUBS. ALLOWED	WURTH ELEKTRONIK, 62000311121
3	1	JP2	CONN., HDR, MALE, 2x4, 2mm, VERT, ST, THT	WURTH ELEKTRONIK, 62000821121
4	1	XJP1, XJP2	CONN., SHUNT, FEMALE, 2 POS, 2mm	WURTH ELEKTRONIK, 60800213421
5	4	MP1-MP4	STANDOFF, NYLON, SNAP-ON, 0.50"	WURTH ELEKTRONIK, 702935000

SCHEMATIC DIAGRAM



<Core Design>

CUSTOMER NOTICE
 ANALOG DEVICES MAKES NO REPRESENTATION OR WARRANTY, EXPRESS OR IMPLIED, AS TO THE SUITABILITY OF THIS CIRCUIT FOR ANY PARTICULAR APPLICATION. THE CUSTOMER IS RESPONSIBLE FOR THE PROPER DESIGN AND RELIABLE OPERATION OF THE CIRCUIT. ANALOG DEVICES IS NOT RESPONSIBLE FOR ANY DAMAGE TO THE CIRCUIT BOARD LAYOUT OR PERFORMANCE OF THE CIRCUIT BOARD LAYOUT. CONTACT ANALOG DEVICES APPLICATIONS ENGINEERING FOR ASSISTANCE.

ANALOG DEVICES POWER BY **LINEAR™**
 www.analog.com

TITLE: SCHEMATIC HIGH EFFICIENCY 42V/120mA SYNCHRONOUS BUCK

IC NO.	LT8604CAV	SCHEMATIC NO. AND REVISION:
SKU NO.	DC2867A	710-DC2867A_REV03
SIZE:	N/A	DATE: Tuesday, August 24, 2021
		SHEET 1 OF 1

NOTES: UNLESS OTHERWISE SPECIFIED

- ALL RESISTORS ARE 0603.
 ALL CAPACITORS ARE 0603.



ESD Caution

ESD (electrostatic discharge) sensitive device. Charged devices and circuit boards can discharge without detection. Although this product features patented or proprietary protection circuitry, damage may occur on devices subjected to high energy ESD. Therefore, proper ESD precautions should be taken to avoid performance degradation or loss of functionality.

Legal Terms and Conditions

By using the evaluation board discussed herein (together with any tools, components documentation or support materials, the "Evaluation Board"), you are agreeing to be bound by the terms and conditions set forth below ("Agreement") unless you have purchased the Evaluation Board, in which case the Analog Devices Standard Terms and Conditions of Sale shall govern. Do not use the Evaluation Board until you have read and agreed to the Agreement. Your use of the Evaluation Board shall signify your acceptance of the Agreement. This Agreement is made by and between you ("Customer") and Analog Devices, Inc. ("ADI"), with its principal place of business at One Technology Way, Norwood, MA 02062, USA. Subject to the terms and conditions of the Agreement, ADI hereby grants to Customer a free, limited, personal, temporary, non-exclusive, non-sublicensable, non-transferable license to use the Evaluation Board FOR EVALUATION PURPOSES ONLY. Customer understands and agrees that the Evaluation Board is provided for the sole and exclusive purpose referenced above, and agrees not to use the Evaluation Board for any other purpose. Furthermore, the license granted is expressly made subject to the following additional limitations: Customer shall not (i) rent, lease, display, sell, transfer, assign, sublicense, or distribute the Evaluation Board; and (ii) permit any Third Party to access the Evaluation Board. As used herein, the term "Third Party" includes any entity other than ADI, Customer, their employees, affiliates and in-house consultants. The Evaluation Board is NOT sold to Customer; all rights not expressly granted herein, including ownership of the Evaluation Board, are reserved by ADI. CONFIDENTIALITY. This Agreement and the Evaluation Board shall all be considered the confidential and proprietary information of ADI. Customer may not disclose or transfer any portion of the Evaluation Board to any other party for any reason. Upon discontinuation of use of the Evaluation Board or termination of this Agreement, Customer agrees to promptly return the Evaluation Board to ADI. ADDITIONAL RESTRICTIONS. Customer may not disassemble, decompile or reverse engineer chips on the Evaluation Board. Customer shall inform ADI of any occurred damages or any modifications or alterations it makes to the Evaluation Board, including but not limited to soldering or any other activity that affects the material content of the Evaluation Board. Modifications to the Evaluation Board must comply with applicable law, including but not limited to the RoHS Directive. TERMINATION. ADI may terminate this Agreement at any time upon giving written notice to Customer. Customer agrees to return to ADI the Evaluation Board at that time. LIMITATION OF LIABILITY. THE EVALUATION BOARD PROVIDED HEREUNDER IS PROVIDED "AS IS" AND ADI MAKES NO WARRANTIES OR REPRESENTATIONS OF ANY KIND WITH RESPECT TO IT. ADI SPECIFICALLY DISCLAIMS ANY REPRESENTATIONS, ENDORSEMENTS, GUARANTEES, OR WARRANTIES, EXPRESS OR IMPLIED, RELATED TO THE EVALUATION BOARD INCLUDING, BUT NOT LIMITED TO, THE IMPLIED WARRANTY OF MERCHANTABILITY, TITLE, FITNESS FOR A PARTICULAR PURPOSE OR NON-INFRINGEMENT OF INTELLECTUAL PROPERTY RIGHTS. IN NO EVENT WILL ADI AND ITS LICENSORS BE LIABLE FOR ANY INCIDENTAL, SPECIAL, INDIRECT, OR CONSEQUENTIAL DAMAGES RESULTING FROM CUSTOMER'S POSSESSION OR USE OF THE EVALUATION BOARD, INCLUDING BUT NOT LIMITED TO LOST PROFITS, DELAY COSTS, LABOR COSTS OR LOSS OF GOODWILL. ADI'S TOTAL LIABILITY FROM ANY AND ALL CAUSES SHALL BE LIMITED TO THE AMOUNT OF ONE HUNDRED US DOLLARS (\$100.00). EXPORT. Customer agrees that it will not directly or indirectly export the Evaluation Board to another country, and that it will comply with all applicable United States federal laws and regulations relating to exports. GOVERNING LAW. This Agreement shall be governed by and construed in accordance with the substantive laws of the Commonwealth of Massachusetts (excluding conflict of law rules). Any legal action regarding this Agreement will be heard in the state or federal courts having jurisdiction in Suffolk County, Massachusetts, and Customer hereby submits to the personal jurisdiction and venue of such courts. The United Nations Convention on Contracts for the International Sale of Goods shall not apply to this Agreement and is expressly disclaimed.

Mouser Electronics

Authorized Distributor

Click to View Pricing, Inventory, Delivery & Lifecycle Information:

[Analog Devices Inc.:](#)

[DC2867A](#)