

MODEL: CPT-357-105T | **DESCRIPTION:** PIEZO BUZZER TRANSDUCER**FEATURES**

- 14 Vdc
- 105 dB
- feedback terminal

**SPECIFICATIONS**

parameter	conditions/description	min	typ	max	units
rated voltage	driven by RE46C100		14		Vdc
operating voltage	driven by RE46C100	6		16	Vdc
current consumption	measured by KEYSIGHT 34461A		50	60	mA
rated frequency		2,700	3,200	3,700	Hz
sound pressure level	at 30 cm, rated voltage, driven by RE46C100	105			dB
electrostatic capacitance	at 1 Vrms, 1 kHz	38,500	55,000	71,500	pF
tone	continuous				
dimensions	Ø35.6 x 7.15				mm
weight				5.0	g
material	PBT+30% GF (UL94V-0)				
terminal	pins				
operating temperature		-20		70	°C
storage temperature		-30		80	°C
humidity		20		75	RH%
washable	no				
RoHS	yes				

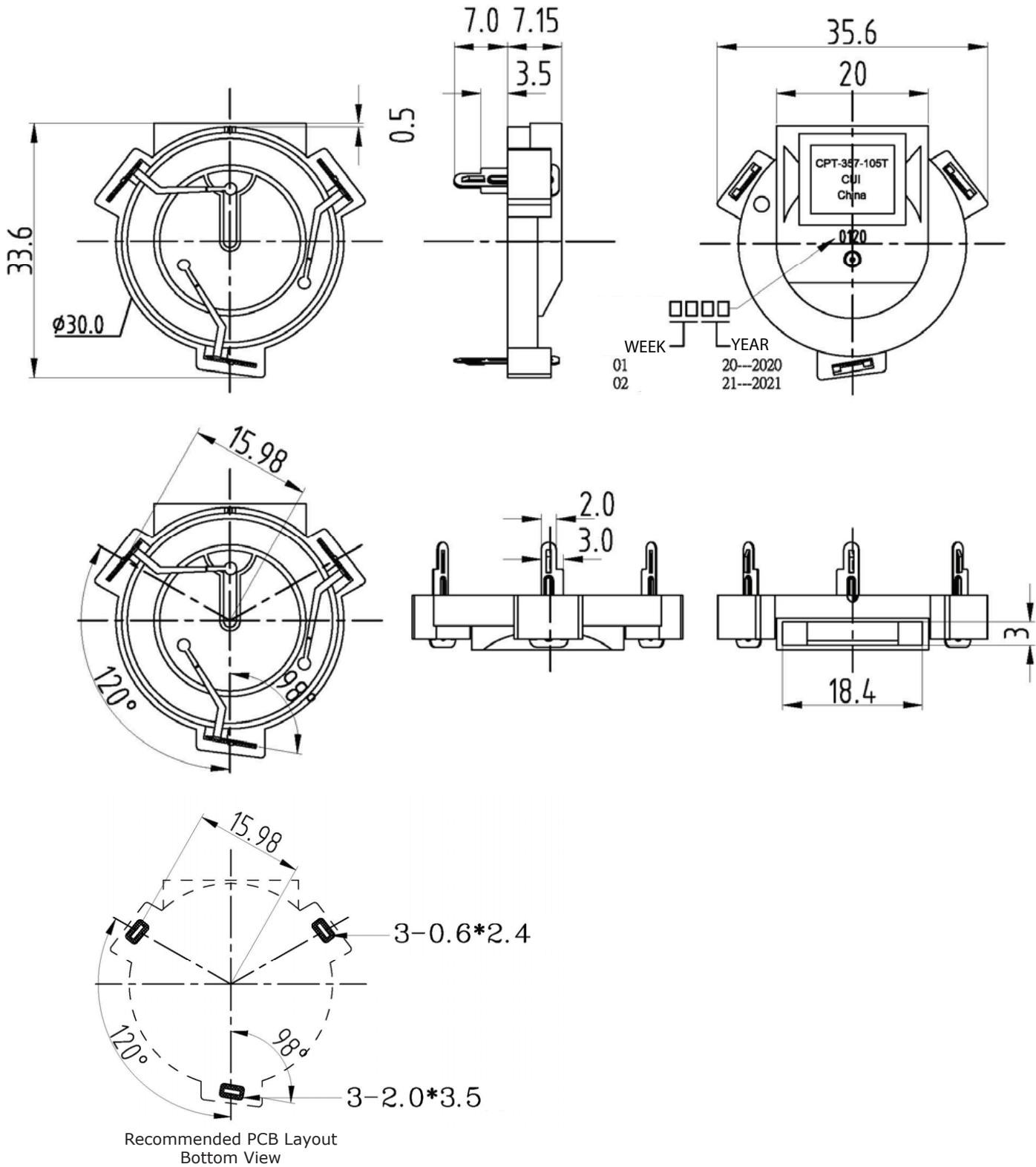
Notes: 1. All specifications measured at 5~35°C, humidity at 45~85%, under 86~106 kPa pressure, unless otherwise noted.

SOLDERABILITY

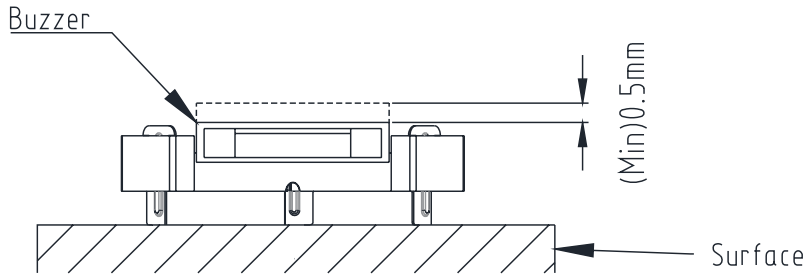
parameter	conditions/description	min	typ	max	units
hand soldering	maximum 3 seconds	340	350	360	°C

MECHANICAL DRAWING

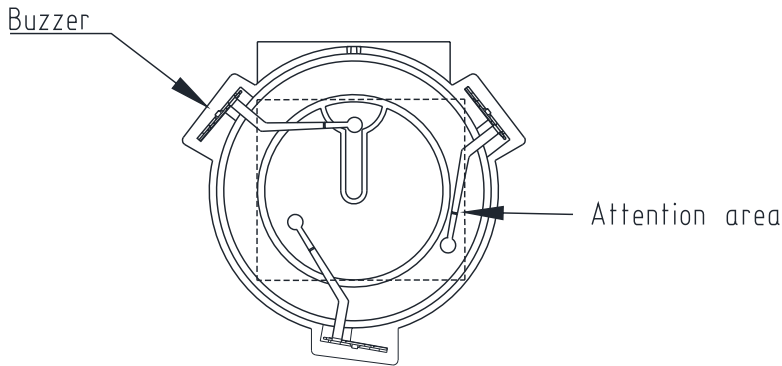
units: mm
tolerance: ± 0.5 mm



INSTALLATION GUIDELINES

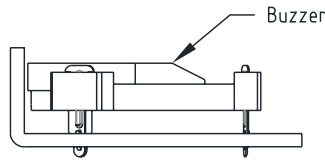
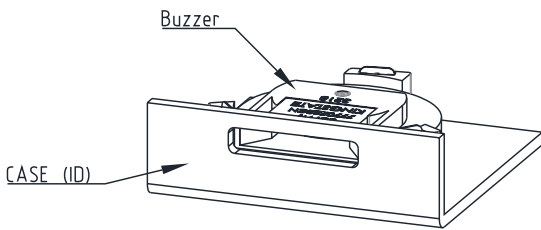


It's recommended reserve at least 0.5mm between the product and the surface. And the surface must not have any protrusions.

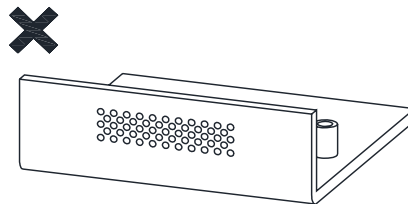
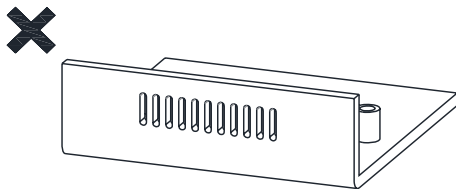


If buzzer's piezo side close to any potentially conductive surface, it is recommended that the product body surface (not piezo side) should add insulating tape to prevent short circuit conditions.

THE NOTICE OF THE CASE ID DESIGN



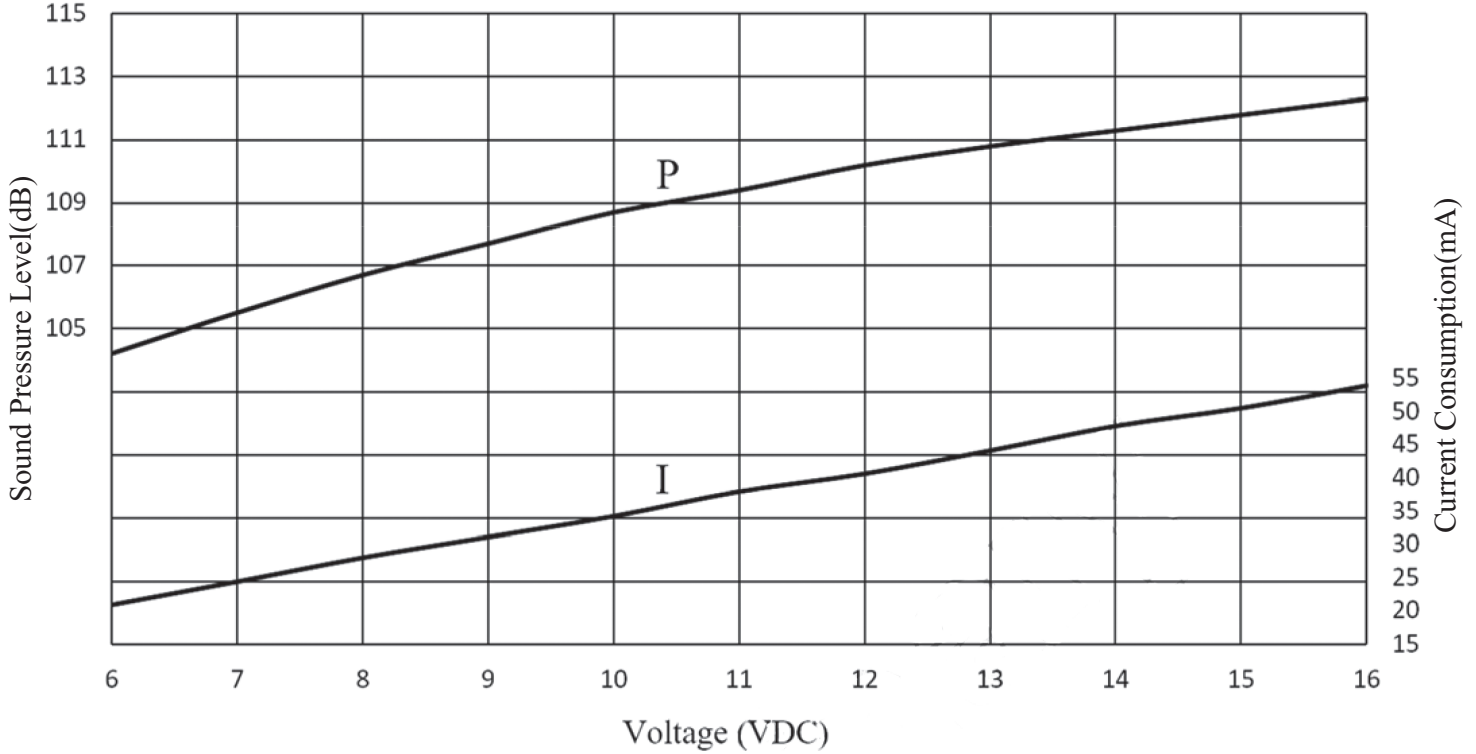
The buzzer should be as close as possible to the front case or the SPL will decrease. And we suggest the design of the sound hole should be simple.



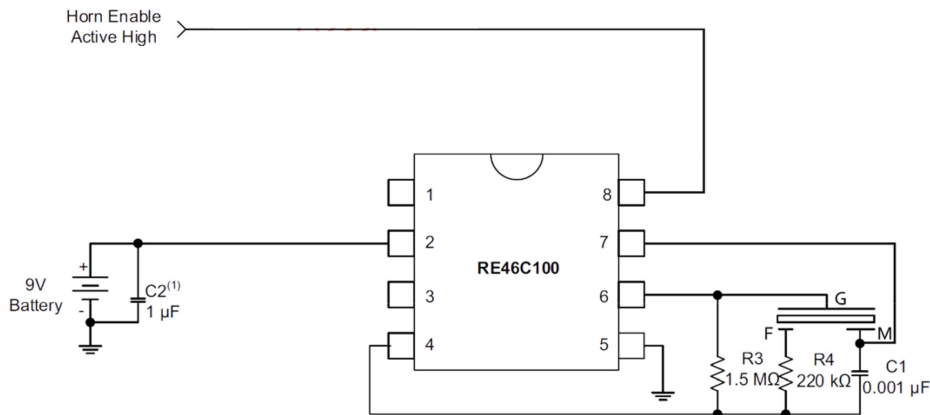
Both types of ID design may decrease the SPL 6 to 12dB, it's highly recommended to avoid these designs.

PERFORMANCE CURVES

P: Voltage vs. Sound Pressure Level
 I: Voltage vs. Current Consumption



DRIVING CIRCUIT

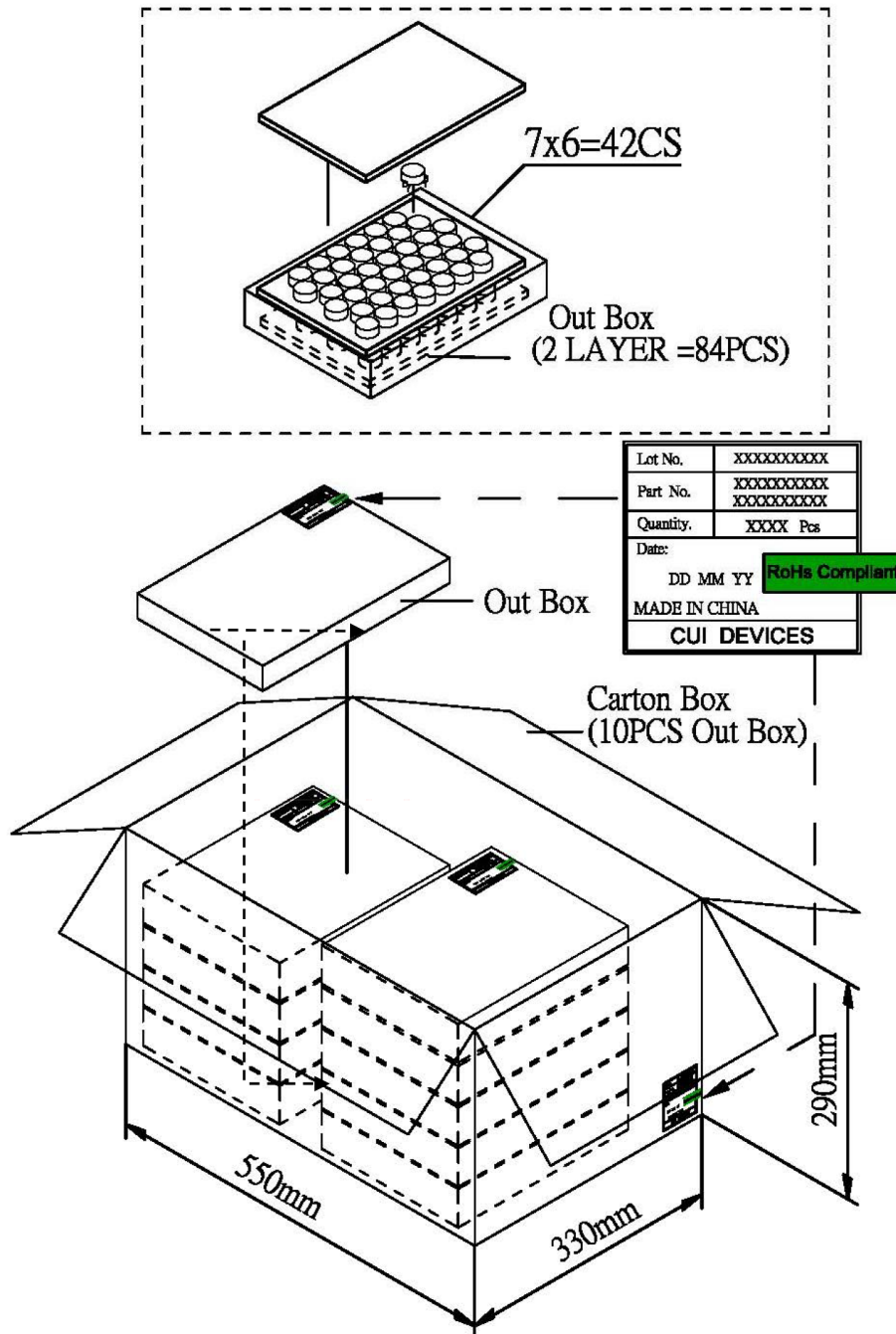


- Notes:
1. Place C2 close to the device power pins to minimize horn switching noise.
 2. The current consumption and the sound pressure level are measured by using the recommended driving circuit shown above.

PACKAGING

units: mm

Carton Size: 550 x 330 x 290 mm
 Carton QTY: 840 pcs per carton



REVISION HISTORY

rev.	description	date
1.0	initial release	09/16/2020

The revision history provided is for informational purposes only and is believed to be accurate.

CUI DEVICES

CUI Devices offers a one (1) year limited warranty. Complete warranty information is listed on our website.

CUI Devices reserves the right to make changes to the product at any time without notice. Information provided by CUI Devices is believed to be accurate and reliable. However, no responsibility is assumed by CUI Devices for its use, nor for any infringements of patents or other rights of third parties which may result from its use.

CUI Devices products are not authorized or warranted for use as critical components in equipment that requires an extremely high level of reliability. A critical component is any component of a life support device or system whose failure to perform can be reasonably expected to cause the failure of the life support device or system, or to affect its safety or effectiveness.

Mouser Electronics

Authorized Distributor

Click to View Pricing, Inventory, Delivery & Lifecycle Information:

[CUI Devices:](#)

[CPT-357-105T](#)