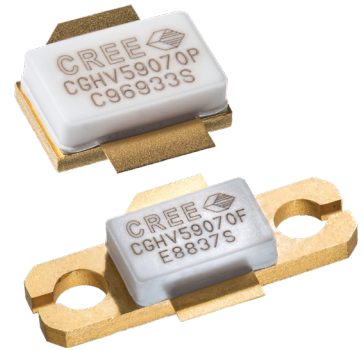


CGHV59070

70 W, 4.4 - 5.9 GHz, 50 V, RF Power GaN HEMT

Description

Cree's CGHV59070 is an internally matched gallium nitride (GaN) high electron mobility transistor (HEMT). The CGHV59070, operating from a 50 volt rail, offers a general purpose, broadband solution to a variety of RF and microwave applications. The good efficiency, high gain and wide bandwidth capabilities make the CGHV59070 ideal for linear applications such as wireless infrastructure and for compressed amplifier circuits. The transistor is available in a flange and pill package.



Package Type: 440224, 440170
PN's: CGHV59070F, CGHV59070P

Typical Performance Over 4.8 - 5.9 GHz ($T_c = 25^\circ\text{C}$)

Parameter	4.8 GHz	5.0 GHz	5.2 GHz	5.4 GHz	5.6 GHz	5.8 GHz	5.9 GHz	Units
Power Gain at 50 V	13.7	14.2	14.5	14.6	14.3	13.7	13.3	dB
Output Power at 50 V	84	93	101	102	95	84	76	W
Drain Efficiency at 50 V	55	56	57	56	54	50	48	%

Note: Measured in CGHV59070F-AMP (838269) under 100 μs pulse width, 10% duty cycle, Pin = 35.5 dBm (3.5 W)

Features

- 4.4 - 5.9 GHz Operation
- 90 W POUT typical at 50 V
- 14 dB Power Gain
- 55% Drain Efficiency
- Internally Matched

Applications

- Wireless Infrastructure
- Marine Radar
- Weather Monitoring
- Air Traffic Control
- Maritime Vessel Traffic Control
- Port Security
- Troposcatter Communications
- Beyond Line of Sight - BLOS

Absolute Maximum Ratings (not simultaneous) at 25° C Case Temperature

Parameter	Symbol	Rating	Units	Conditions
Drain-Source Voltage	V_{DSS}	150	Volts	25° C
Gate-to-Source Voltage	V_{GS}	-10, +2	Volts	25° C
Storage Temperature	T_{STG}	-65, +150	°C	
Operating Junction Temperature	T_J	225	°C	
Maximum Forward Gate Current	I_{GMAX}	10.4	mA	25° C
Maximum Drain Current ¹	I_{DMAX}	6.3	A	25° C
Soldering Temperature ²	T_S	245	°C	
Screw Torque	τ	40	in-oz	
Thermal Resistance, Junction to Case ³	$R_{\theta JC}$	2.99	°C/W	85° C, CW @ $P_{DISS} = 57$ W
Thermal Resistance, Junction to Case ³	$R_{\theta JC}$	0.85	°C/W	85° C, 100 μ sec, 10% Duty Cycle @ $P_{DISS} = 70$ W
Case Operating Temperature ⁴	T_C	-40, +150	°C	

Notes:

¹ Current limit for long term, reliable operation² Refer to the Application Note on soldering at wolfspeed.com/rf/document-library³ Simulated for the CGHV59070F at $P_{DISS} = 57.6$ CW or $P_{DISS} = 70$ W Pulsed⁴ See also, the Power Dissipation De-rating Curve on Page 8**Electrical Characteristics ($T_C = 25^\circ C$)**

Characteristics	Symbol	Min.	Typ.	Max.	Units	Conditions
DC Characteristics¹						
Gate Threshold Voltage	$V_{GS(th)}$	-3.8	-2.8	-2.3	V_{DC}	$V_{DS} = 10$ V, $I_D = 10.4$ mA
Saturated Drain Current ²	I_{DS}	6.8	9.7	-	A	$V_{DS} = 6.0$ V, $V_{GS} = 2.0$ V
Drain-Source Breakdown Voltage	V_{BR}	125	-	-	V_{DC}	$V_{GS} = -8$ V, $I_D = 10.4$ mA
RF Characteristics³ ($T_C = 25^\circ C$, $F_0 = 5.2$-5.9 GHz unless otherwise noted)						
Small Signal Gain	G_{SS}	15.55	17	-	dB	$V_{DD} = 50$ V, $I_{DQ} = 0.15$ A, $P_{IN} = 10$ dBm, Freq = 5.2 GHz
Output Power	P_{OUT1}	75.9	100	-	W	$V_{DD} = 50$ V, $I_{DQ} = 0.15$ A, $P_{IN} = 35.5$ dBm, Freq = 5.2 GHz
Output Power	P_{OUT2}	75.9	100	-	W	$V_{DD} = 50$ V, $I_{DQ} = 0.15$ A, $P_{IN} = 35.5$ dBm, Freq = 5.55 GHz
Output Power	P_{OUT3}	62.4	77	-	W	$V_{DD} = 50$ V, $I_{DQ} = 0.15$ A, $P_{IN} = 35.5$ dBm, Freq = 5.9 GHz
Drain Efficiency	EFF_1	50	55	-	%	$V_{DD} = 50$ V, $I_{DQ} = 0.15$ A, $P_{IN} = 35.5$ dBm, Freq = 5.2 GHz
Drain Efficiency	EFF_2	46	54	-	%	$V_{DD} = 50$ V, $I_{DQ} = 0.15$ A, $P_{IN} = 35.5$ dBm, Freq = 5.55 GHz
Drain Efficiency	EFF_3	40	48	-	%	$V_{DD} = 50$ V, $I_{DQ} = 0.15$ A, $P_{IN} = 35.5$ dBm, Freq = 5.9 GHz
Power Gain	PG	-	14.5	-	dB	$V_{DD} = 50$ V, $I_{DQ} = 0.15$ A, $P_{IN} = 35.5$ dBm, Freq = 5.2 GHz
Output Mismatch Stress	VSWR	-	-	5 : 1	Ψ	No damage at all phase angles, $V_{DD} = 50$ V, $I_{DQ} = 0.15$ A, $P_{IN} = 35.5$ dBm Pulsed
Dynamic Characteristics						
Input Capacitance	C_{GS}	-	36	-	pF	$V_{DS} = 50$ V, $V_{GS} = -8$ V, $f = 1$ MHz
Output Capacitance	C_{DS}	-	109	-	pF	$V_{DS} = 50$ V, $V_{GS} = -8$ V, $f = 1$ MHz
Feedback Capacitance	C_{GD}	-	0.26	-	pF	$V_{DS} = 50$ V, $V_{GS} = -8$ V, $f = 1$ MHz

Notes:

¹ Measured on wafer prior to packaging² Scaled from PCM data³ Measured in CGHV59070F-AMP⁴ Drain Efficiency = P_{OUT} / P_{DC}



Typical Performance

Figure 1. Small Signal Gain and Return Losses of the CGHV59070-AMP vs Frequency
 $V_{DD} = 50\text{ V}, I_{DQ} = 150\text{ mA}$

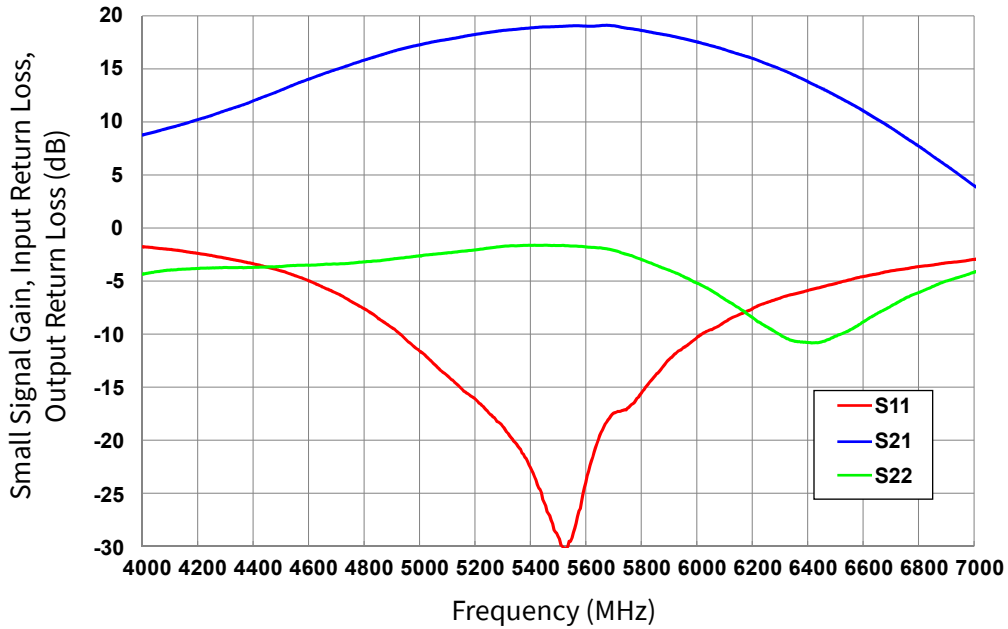
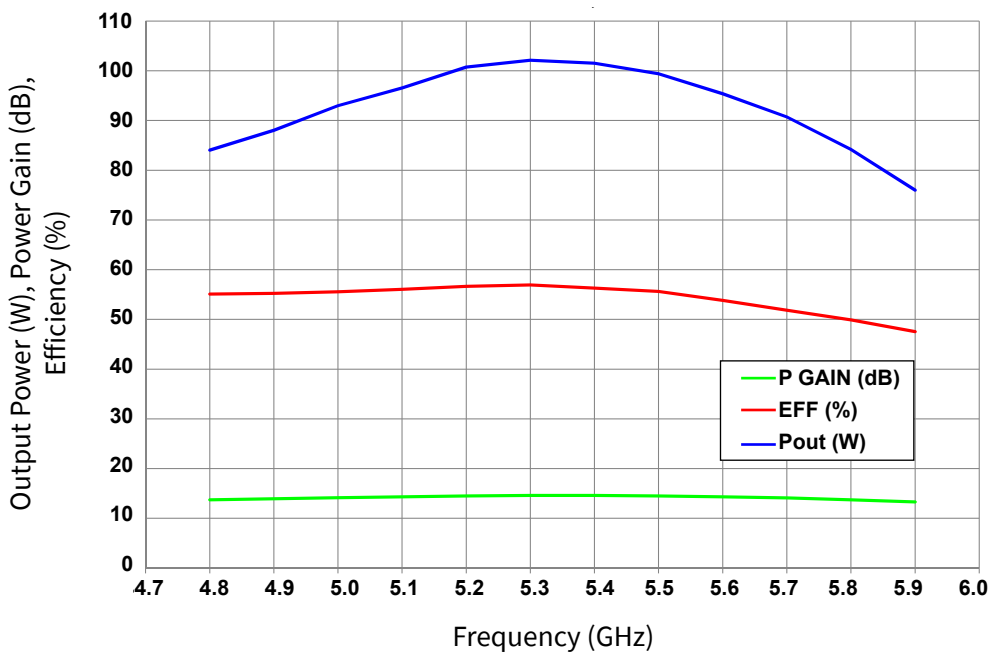


Figure 2. Power Gain, Drain Efficiency, and Output Power vs Frequency measured in Amplifier Circuit CGHV59070P-AMP

$V_{DD} = 50\text{ V}, I_{DQ} = 150\text{ mA}, P_{IN} = 35.5\text{ dBm}, \text{Pulse Width} = 100\ \mu\text{sec}, \text{Duty Cycle} = 10\%$





Typical Performance

Figure 3. Maximum Available Gain and K Factor of the CGHV59070
 $V_{DD} = 50\text{ V}, I_{DQ} = 150\text{ mA}$

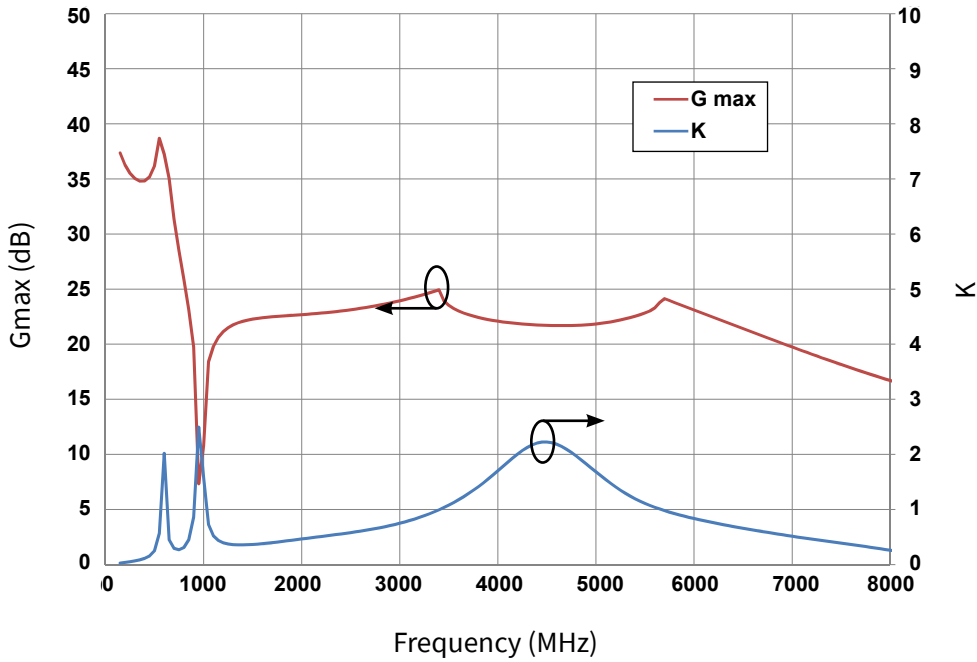
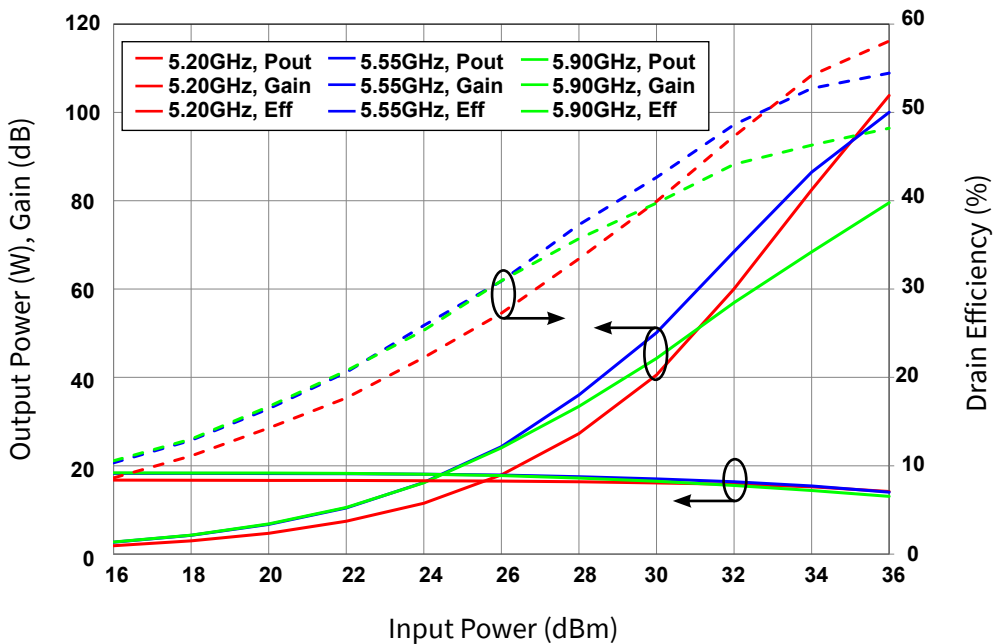


Figure 4. Power Gain, Drain Efficiency and Output Power vs Input Power of the CGHV59070
 $V_{DD} = 50\text{ V}, I_{DQ} = 150\text{ mA}, \text{Pulse Width} = 100\ \mu\text{sec}, \text{Duty Cycle} = 10\%$





Typical Performance

Figure 5. Gain vs Output Power Measured in CGHV59070F-AMP4
 $V_{DD} = 50\text{ V}, I_{DQ} = 75\text{ mA}$

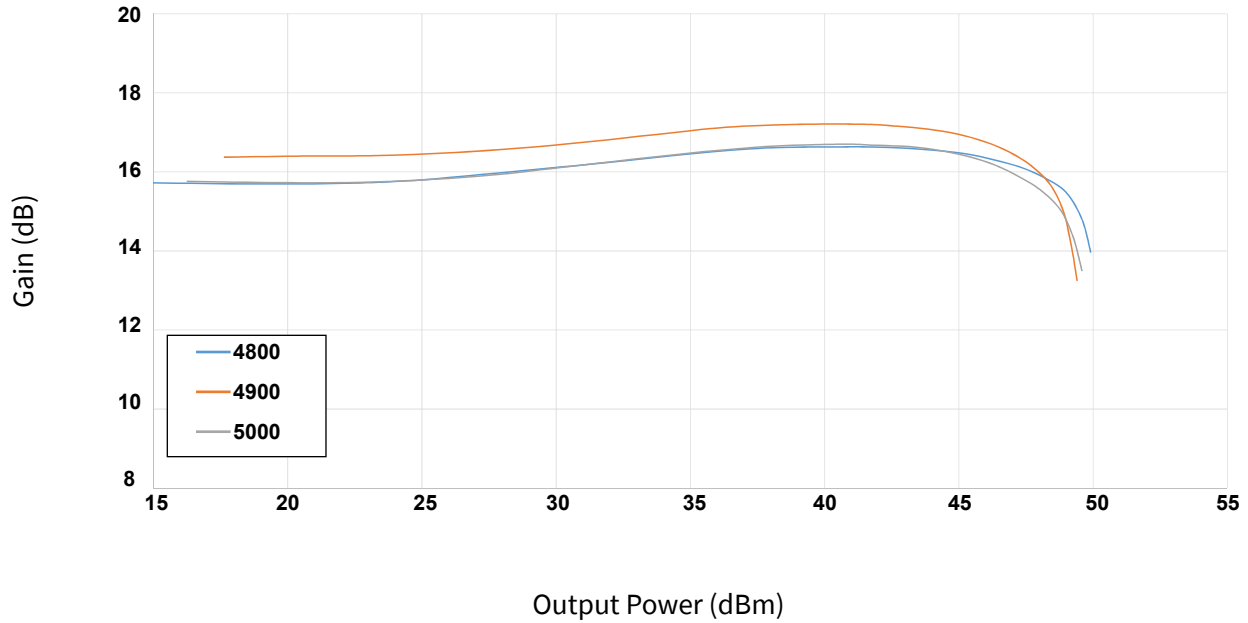
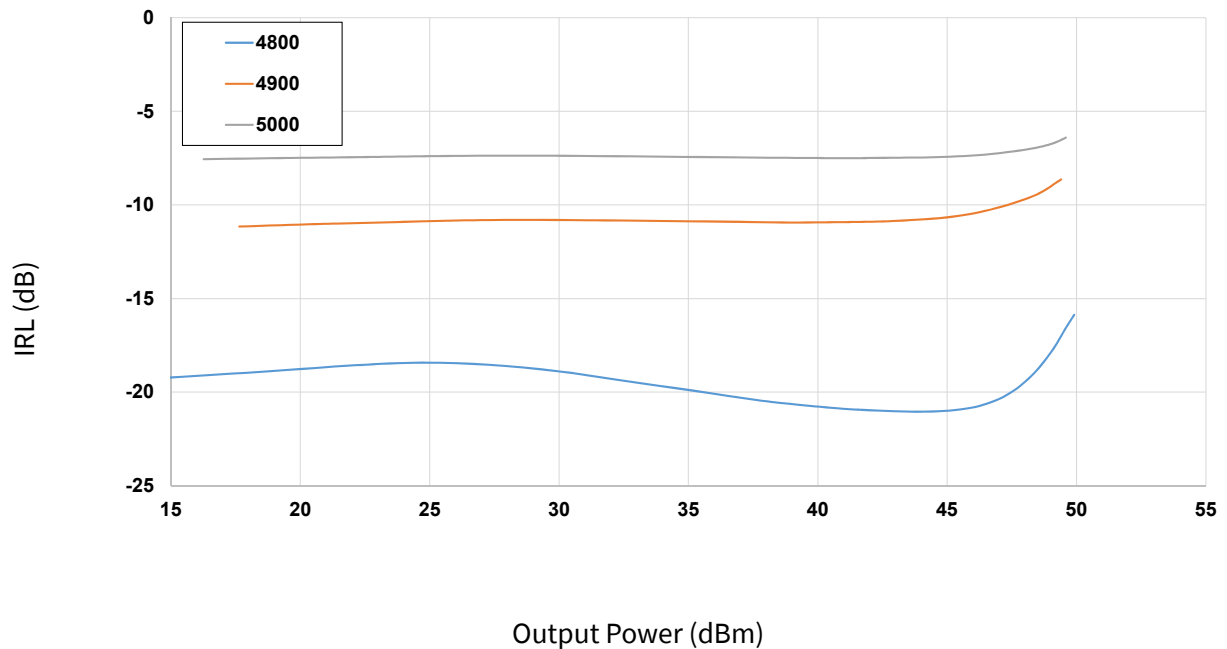


Figure 6. Input Return Loss vs Output Power Measured in CGHV59070F-AMP4
 $V_{DD} = 50\text{ V}, I_{DQ} = 75\text{ mA}$



Typical Performance

Figure 7. Gain vs Frequency Measured in CGHV59070F-AMP4
 $V_{DD} = 50\text{ V}, I_{DQ} = 75\text{ mA}, P_{OUT} = 42\text{ dBm}$

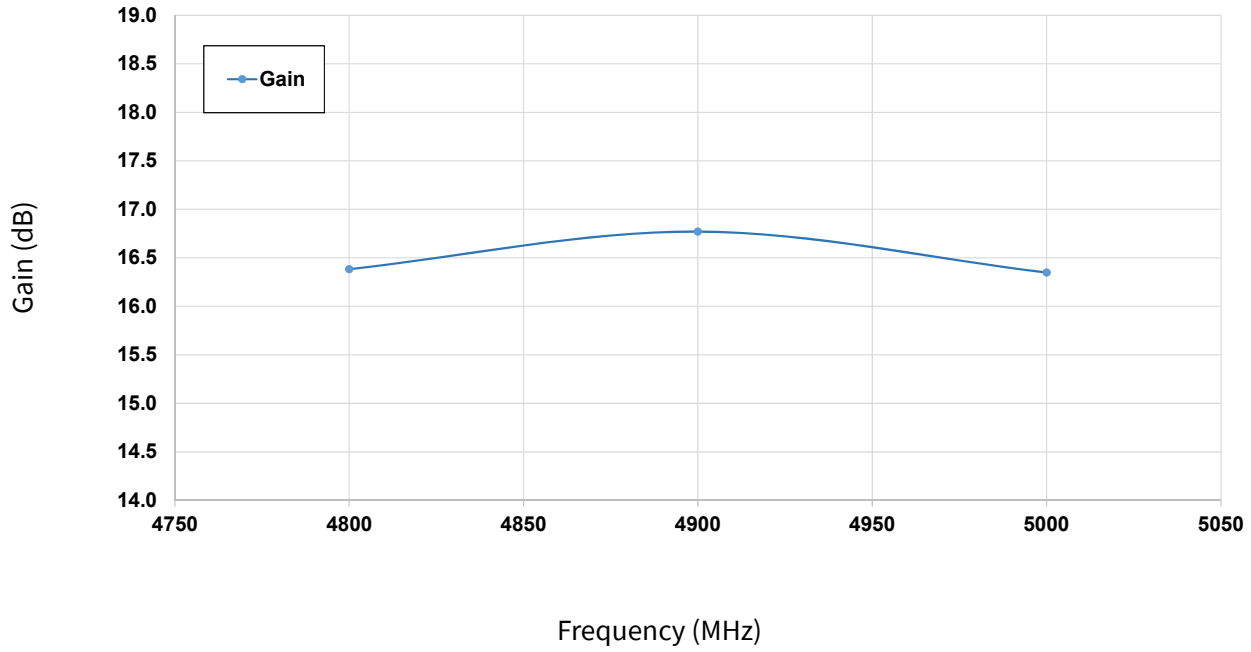
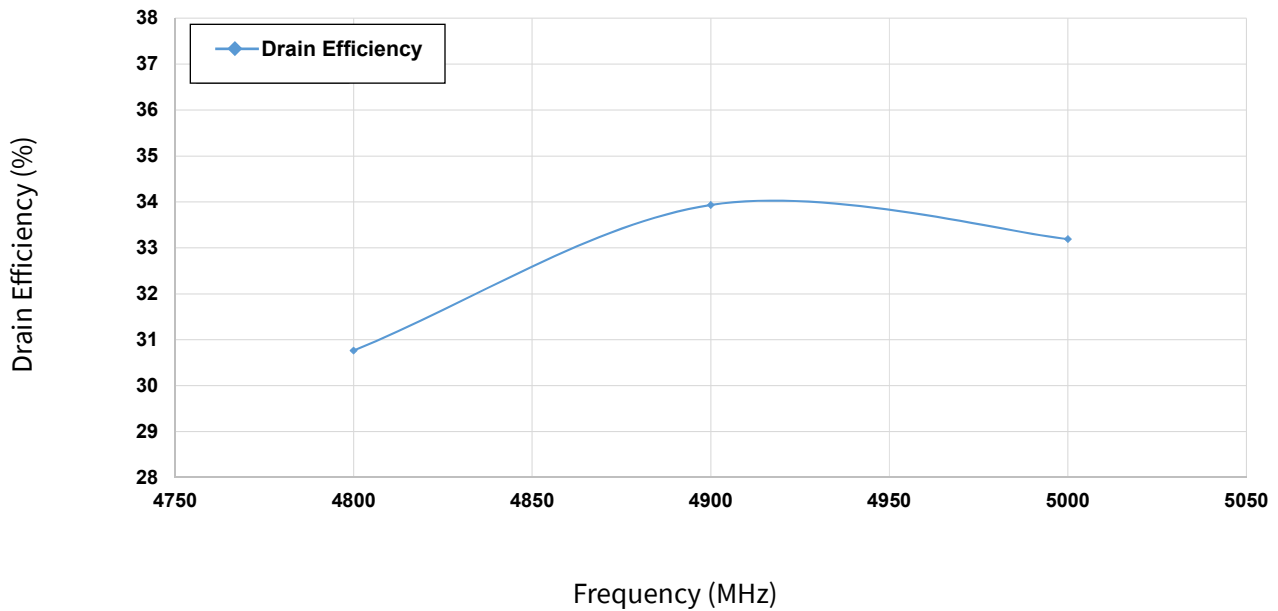


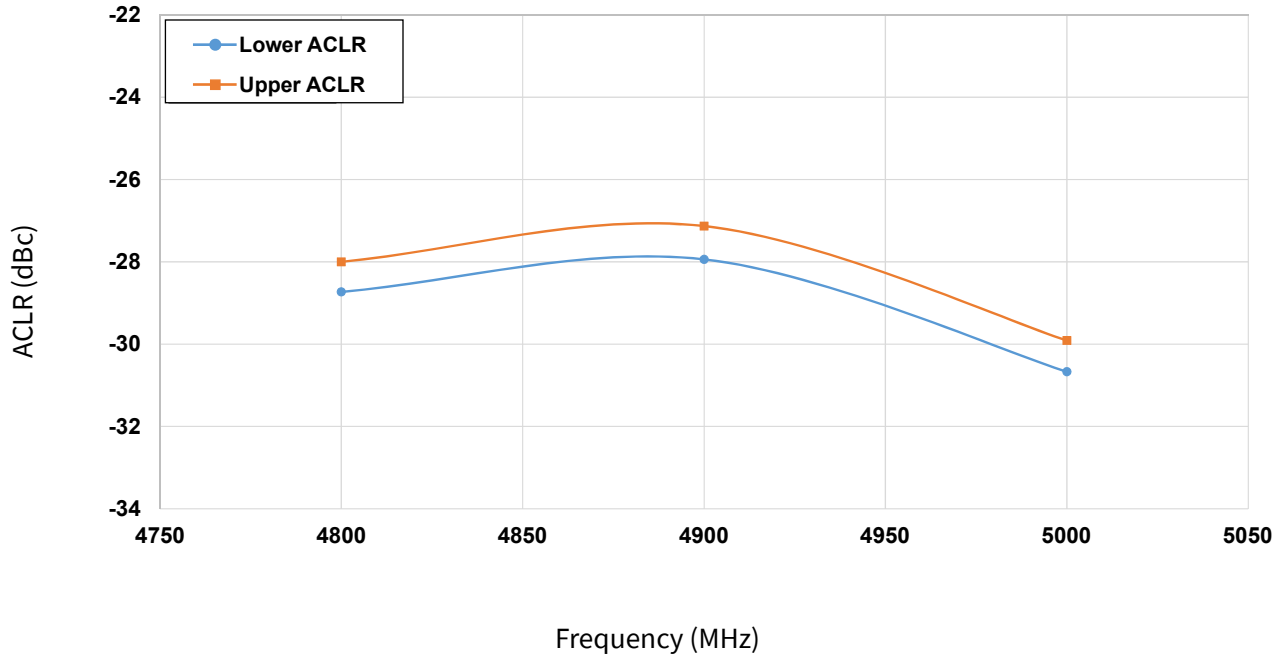
Figure 8. Drain Efficiency vs Frequency Measured in CGHV59070F-AMP4
 $V_{DD} = 50\text{ V}, I_{DQ} = 75\text{ mA}, P_{OUT} = 42\text{ dBm}$





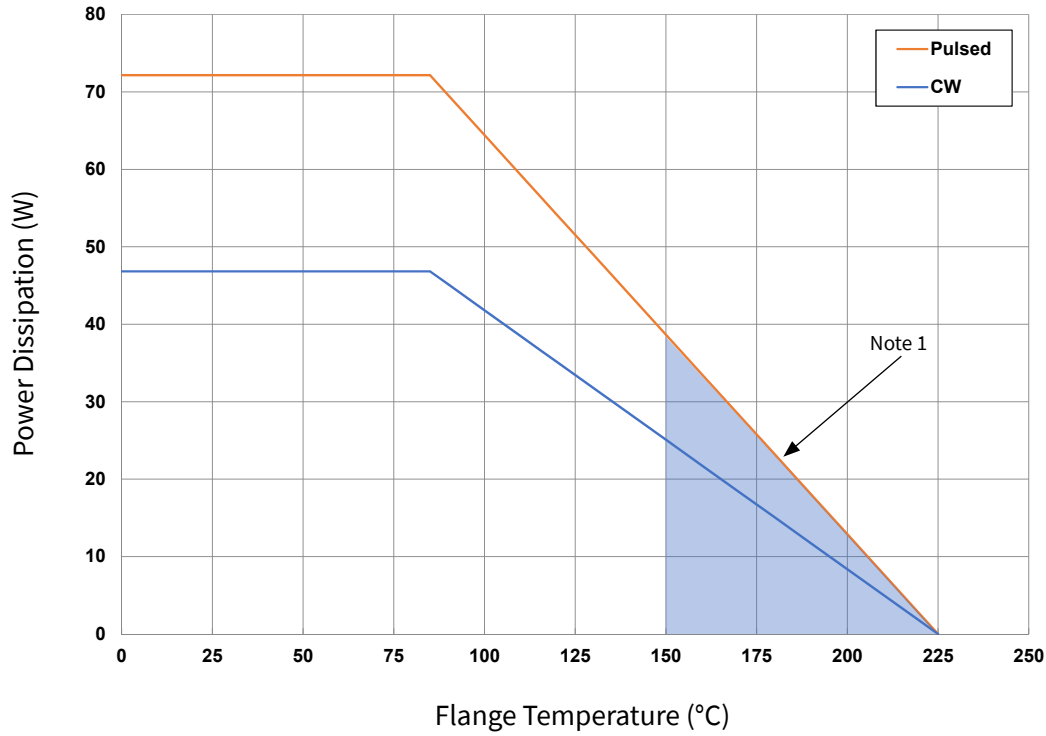
Typical Performance

Figure 9. ACLR vs Frequency Measured in CGHV59070F-AMP4
 $V_{DD} = 50\text{ V}$, $I_{DQ} = 75\text{ mA}$, $P_{OUT} = 42\text{ dBm}$, WCDMA 7.5 dB PAR Signal



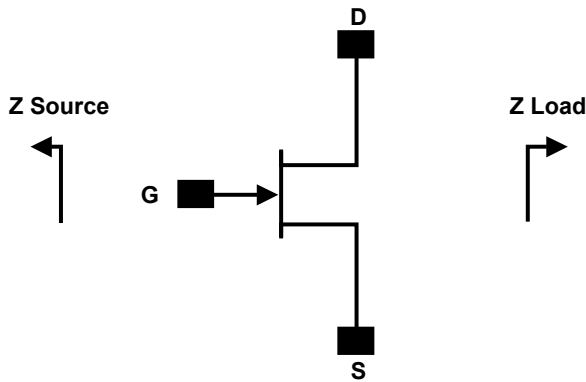


**CGHV59070 Power Dissipation De-Rating Curve, Pulsed & CW
(Pulsed Width = 100 μs, Duty Cycle = 10%)**



Note 1. Area exceeds Maximum Case Operating Temperature (See Page 2)

Simulated Source and Load Impedances



Frequency (MHz)	Z Source	Z Load
4400	2.6 - j12.9	14.0 - j6.9
4600	3.8 - j14.2	15.0 - j6.7
4800	5.8 - j15.3	16.0 - j7.0
5000	8.8 - j15.4	16.7 - j8.0
5200	8.8 - j14.7	17.1 - j9.1
5300	8.5 - j14.5	16.9 - j10.0
5400	8.1 - j14.2	16.5 - j10.7
5500	7.8 - j13.9	15.4 - j11.4
5600	7.5 - j13.6	15.4 - j12.0
5700	7.2 - j13.3	14.6 - j12.5
5800	6.9 - j13.3	13.8 - j12.8
5900	6.6 - j12.7	12.9 - j13.1

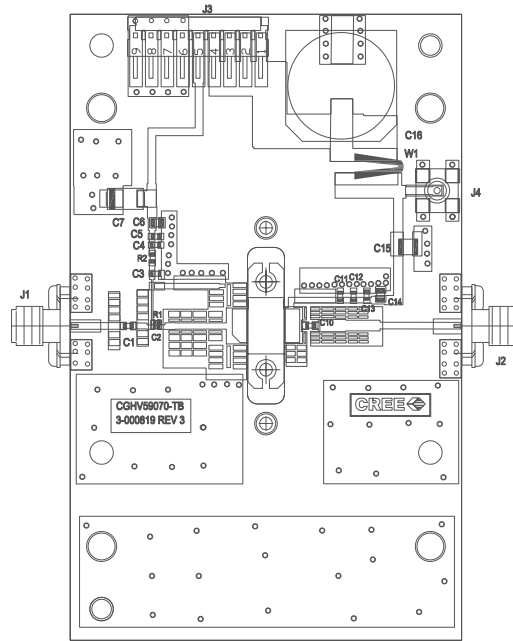
Note 1. $V_{DD} = 50\text{ V}$, $I_{DQ} = 150\text{ mA}$ in the 440224 package

Note 2. Optimized for power gain, P_{SAT} and PAE

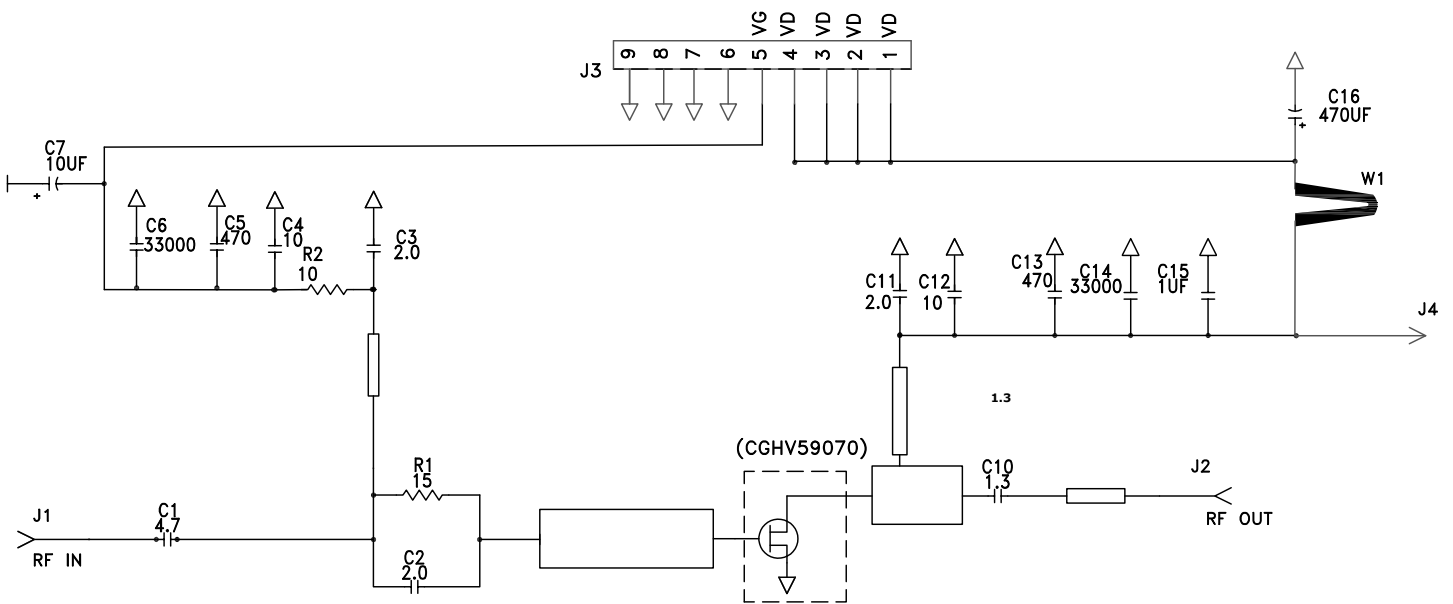
Note 3. When using this device at low frequency, series resistors should be used to maintain amplifier stability



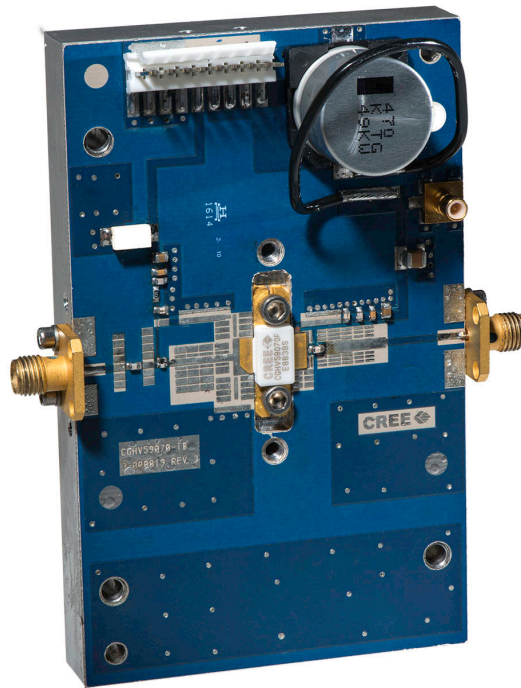
CGHV59070-AMP Demonstration Amplifier Circuit Outline



CGHV59070-AMP Demonstration Amplifier Circuit Schematic



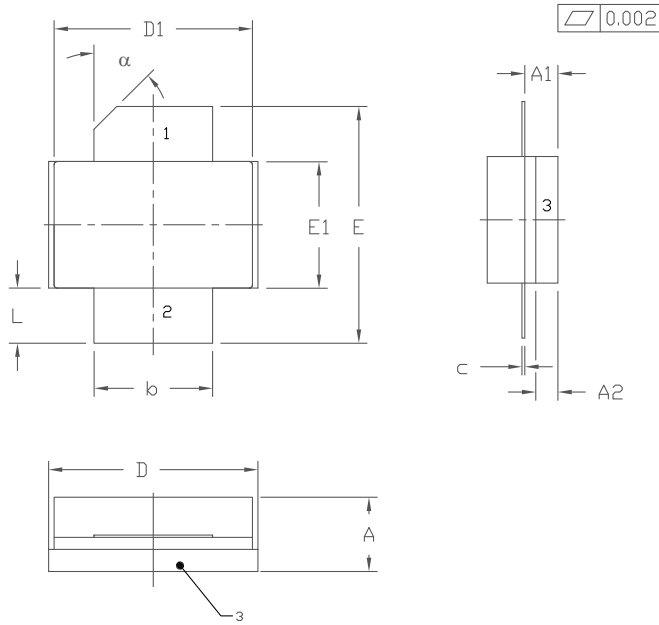
CGHV59070-AMP Demonstration Amplifier Circuit



CGHV59070-AMP Demonstration Amplifier Circuit Bill of Materials

Designator	Description	Qty
R1	RES, 15,OHM, +/- 1%, 1/16W, 0402	1
R2	RES,1/16W,0603,1%,10.0 OHMS	1
C1	CAP, 4.7 pF,+/-0.1pF, 0603, ATC600S	1
C10	CAP, 1.3 pF,+/-0.1pF, 0603, ATC600S	1
C3,C11	CAP, 2.0 pF,+/-0.1pF, 0603, ATC600S	1
C2	CAP, 2.0 pF, +/- 0.05 pF, 0402, ATC600L	1
C4,C12	CAP, 10pF,+/-5%, 0603, ATC600S	2
C5,C13	CAP, 470PF, 5%, 100V, 0603, X	2
C6,C14	CAP, 33000PF, 0805,100V, X7R	2
C15	CAP, 1.0UF, 100V, 10%, X7R, 1210	1
C7	CAP 10UF 16V TANTALUM	1
W1	CABLE ,18 AWG, 4.2 inch	1
C16	CAP, 470uF, 20%, 80V, ELECT, SMD Size K	1
J1,J2	CONN, SMA, PANEL MOUNT JACK, FLANGE, 4-HOLE	2
J3	HEADER RT>PLZ .1CEN LK 9POS	1
J4	CONNECTOR ; SMB, Straight, JACK,SMD	1
-	Taconic RF-35, PCB, 20 mil	1
Q1	CGHV59070	1

Product Dimensions CGHV59070P (Package Type — 440170)



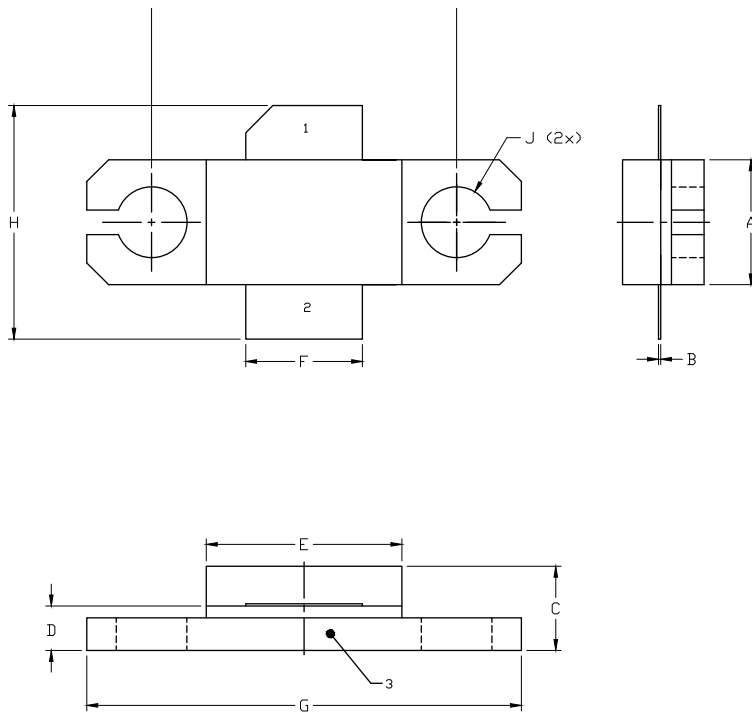
NOTES:

1. DIMENSIONING AND TOLERANCING PER ANSI Y14.5M - 1994.
2. CONTROLLING DIMENSION: INCH.
3. ADHESIVE FROM LID MAY EXTEND A MAXIMUM OF 0.020" BEYOND EDGE OF LID.
4. LID MAY BE MISALIGNED TO THE BODY OF PACKAGE BY A MAXIMUM OF 0.008" IN ANY DIRECTION.

DIM	INCHES		MILLIMETERS		NOTES
	MIN	MAX	MIN	MAX	
A	0.125	0.145	3.18	3.68	
A1	0.057	0.067	1.45	1.70	
A2	0.035	0.045	0.89	1.14	
b	0.210	0.220	5.33	5.59	2x
c	0.004	0.006	0.10	0.15	2x
D	0.375	0.385	9.53	9.78	
D1	0.355	0.365	9.02	9.27	
E	0.400	0.460	10.16	11.68	
E1	0.225	0.235	5.72	5.97	
L	0.085	0.115	2.16	2.92	2x
α	45°	REF	45°	REF	

- PIN 1. GATE
 PIN 2. DRAIN
 PIN 3. SOURCE

Product Dimensions CGHV59070F (Package Type — 440224)



NOTES:

2. CONTROLLING DIMENSION: INCH.
3. ADHESIVE FROM LID MAY EXTEND A MAXIMUM OF 0.020" BEYOND EDGE OF LID.
4. LID MAY BE MISALIGNED TO THE BODY OF THE PACKAGE BY A MAXIMUM OF 0.008" IN ANY DIRECTION.
5. ALL PLATED SURFACES ARE Ni/AU

DIM	INCHES		MILLIMETERS	
	MIN	MAX	MIN	MAX
A	0.225	0.235	5.72	5.97
B	0.004	0.006	0.10	0.15
C	0.145	0.165	3.68	4.19
D	0.077	0.087	1.96	2.21
E	0.355	0.365	9.02	9.27
F	0.210	0.220	5.33	5.59
G	0.795	0.805	20.19	20.45
H	0.400	0.460	10.16	11.68
J	∅ .130		3.30	
k	0.562		14.27	

- PIN 1. GATE
 PIN 2. DRAIN
 PIN 3. SOURCE

Part Number System

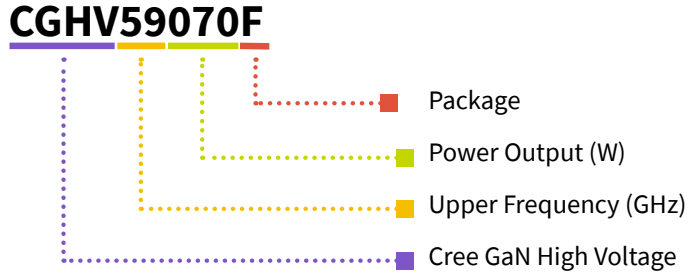


Table 1.

Parameter	Value	Units
Upper Frequency ¹	5.9	GHz
Power Output	70	W
Package	Flange/Pill	-

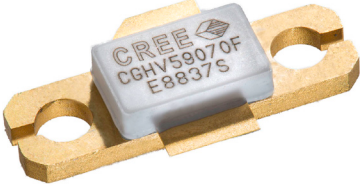

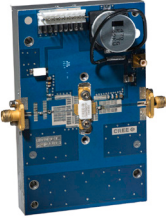
Note¹: Alpha characters used in frequency code indicate a value greater than 9.9 GHz. See Table 2 for value.

Table 2.

Character Code	Code Value
A	0
B	1
C	2
D	3
E	4
F	5
G	6
H	7
J	8
K	9
Examples:	1A = 10.0 GHz 2H = 27.0 GHz



Product Ordering Information

Order Number	Description	Unit of Measure	Image
CGHV59070F	GaN HEMT	Each	
CGHV59070P	GaN HEMT	Each	
CGHV59070F-AMP	Test board with GaN HEMT installed	Each	



For more information, please contact:

4600 Silicon Drive
Durham, North Carolina, USA 27703
www.wolfspeed.com/RF

Sales Contact
RFSales@cree.com

Notes

Disclaimer

Specifications are subject to change without notice. Cree, Inc. believes the information contained within this data sheet to be accurate and reliable. However, no responsibility is assumed by Cree for any infringement of patents or other rights of third parties which may result from its use. No license is granted by implication or otherwise under any patent or patent rights of Cree. Cree makes no warranty, representation or guarantee regarding the suitability of its products for any particular purpose. “Typical” parameters are the average values expected by Cree in large quantities and are provided for information purposes only. These values can and do vary in different applications and actual performance can vary over time. All operating parameters should be validated by customer’s technical experts for each application. Cree products are not designed, intended or authorized for use as components in applications intended for surgical implant into the body or to support or sustain life, in applications in which the failure of the Cree product could result in personal injury or death or in applications for planning, construction, maintenance or direct operation of a nuclear facility.