

Intel® NUC Board/Kit/Mini PC

NUC11TNi3 / NUC11TNi5 /

NUC11TNv5 / NUC11TNi7 /

NUC11TNv7

Technical Product Specification

Regulatory Models: NUC11TNK (Slim Kit, Mini PC)

NUC11TNH (Tall Kit)

NUC11TNB (Board)

*June 2021
Revision 1.2*

Intel® NUC Board NUC11TN may contain design defects or errors known as errata that may cause the product to deviate from published specifications. Current characterized errata, if any, are documented in Intel NUC Board NUC11TN Specification Update.

Revision History

Revision	Revision History	Date
1.0	First release of the Intel NUC Board/Kit NUC11TN Technical Product Specification	January 2021
1.1	Updates and clarifications	March 2021
1.2	Updates and clarifications	June 2021

Disclaimer

This product specification applies to only the standard Intel NUC Board NUC11TN with BIOS identifier TNTGL357.00XX or TNTGLV57.00XX.

INFORMATION IN THIS DOCUMENT IS PROVIDED IN CONNECTION WITH INTEL® PRODUCTS. NO LICENSE, EXPRESS OR IMPLIED, BY ESTOPPEL OR OTHERWISE, TO ANY INTELLECTUAL PROPERTY RIGHTS IS GRANTED BY THIS DOCUMENT. EXCEPT AS PROVIDED IN INTEL'S TERMS AND CONDITIONS OF SALE FOR SUCH PRODUCTS, INTEL ASSUMES NO LIABILITY WHATSOEVER, AND INTEL DISCLAIMS ANY EXPRESS OR IMPLIED WARRANTY, RELATING TO SALE AND/OR USE OF INTEL PRODUCTS INCLUDING LIABILITY OR WARRANTIES RELATING TO FITNESS FOR A PARTICULAR PURPOSE, MERCHANTABILITY, OR INFRINGEMENT OF ANY PATENT, COPYRIGHT OR OTHER INTELLECTUAL PROPERTY RIGHT. UNLESS OTHERWISE AGREED IN WRITING BY INTEL, THE INTEL PRODUCTS ARE NOT DESIGNED NOR INTENDED FOR ANY APPLICATION IN WHICH THE FAILURE OF THE INTEL PRODUCT COULD CREATE A SITUATION WHERE PERSONAL INJURY OR DEATH MAY OCCUR.

All Intel NUC Boards are evaluated as Information Technology Equipment (I.T.E.) for use in personal computers (PC) for installation in homes, offices, schools, computer rooms, and similar locations. The suitability of this product for other PC or embedded non-PC applications or other environments, such as medical, industrial, alarm systems, test equipment, etc. may not be supported without further evaluation by Intel.

Intel Corporation may have patents or pending patent applications, trademarks, copyrights, or other intellectual property rights that relate to the presented subject matter. The furnishing of documents and other materials and information does not provide any license, express or implied, by estoppel or otherwise, to any such patents, trademarks, copyrights, or other intellectual property rights.

Intel may make changes to specifications and product descriptions at any time, without notice.

Designers must not rely on the absence or characteristics of any features or instructions marked "reserved" or "undefined." Intel reserves these for future definition and shall have no responsibility whatsoever for conflicts or incompatibilities arising from future changes to them.

Intel processor numbers are not a measure of performance. Processor numbers differentiate features within each processor family, not across different processor families: Go to:

[Learn About Intel® Processor Numbers](#)

Intel NUC may contain design defects or errors known as errata, which may cause the product to deviate from published specifications. Current characterized errata are available on request.

Contact your local Intel sales office or your distributor to obtain the latest specifications before placing your product order.

Intel, the Intel logo, Intel NUC and Intel Core are trademarks of Intel Corporation in the U.S. and/or other countries.

* Other names and brands may be claimed as the property of others.

Copyright © 2021 Intel Corporation. All rights reserved.

Preface

This Technical Product Specification (TPS) specifies the board layout, components, connectors, power and environmental requirements, and the BIOS for Intel® NUC Board/Kits NUC11TN. Some features are only available on certain SKUs.

Intended Audience

The TPS is intended to provide detailed, technical information about Intel® NUC Board, Kit, and Mini PCs NUC11TN and its components to the vendors, system integrators, and other engineers and technicians who need this level of information. It is specifically *not* intended for general audiences.

What This Document Contains

Chapter	Description
1	An overview of the features and specifications of the Intel® NUC NUC11TN
2	The figures, layouts, and physical description of the Intel® NUC NUC11TN Board
3	Detailed descriptions of the features and specifications
4	Technical references and considerations
5	An overview of BIOS features and specifications

Typographical Conventions

This section contains information about the conventions used in this specification. Not all these symbols and abbreviations appear in all specifications of this type.

Notes, Cautions, and Warnings



NOTE

Notes call attention to important information.



CAUTION

Cautions are included to help you avoid damaging hardware or losing data.

Other Common Notation

#	Used after a signal name to identify an active-low signal (such as USBP0#)
GB	Gigabyte (1,073,741,824 bytes)
GB/s	Gigabytes per second
Gb/s	Gigabits per second
KB	Kilobyte (1024 bytes)
Kb	Kilobit (1024 bits)
kb/s	1000 bits per second
MB	Megabyte (1,048,576 bytes)
MB/s	Megabytes per second
Mb	Megabit (1,048,576 bits)
Mb/s	Megabits per second
TDP	Thermal Design Power
xxh	An address or data value ending with a lowercase h indicates a hexadecimal value.
x.x V	Volts. Voltages are DC unless otherwise specified.
x.x A	Amperes.
*	This symbol is used to indicate third-party brands and names that are the property of their respective owners.

Board Identification Information

Basic Intel® NUC Board NUC11TN Identification Information

AA Revision	BIOS Revision	Notes
M11895-XXX	TNTGL357.00XX	1
M11904-XXX		
M11908-XXX		
K87766-XXX	TNTGLV57.00XX	1
K87765-XXX		
M11900-XXX		
M11901-XXX		

Notes:

1. The AA number is found on a small label on the component side of the board.

Production Identification Information

Intel® NUC Products NUC11TN Identification Information

Product Name	Intel® NUC Board
NUC11TNKi3	NUC11TNBi3
NUC11TNHi3	
NUC11TNKi5	NUC11TNBi5
NUC11TNHi5	
NUC11TNKv5	NUC11TNBv5
NUC11TNHv5	
NUC11TNKi7	NUC11TNBi7
NUC11TNHi7	
NUC11TNKv7	NUC11TNBv7
NUC11TNHv7	

Specification Changes or Clarifications

The table below indicates the Specification Changes or Specification Clarifications that apply to the Intel NUC Board/Kit/Mini PC NUC11TN.

Specification Changes or Clarifications

Date	Type of Change	Description of Changes or Clarifications
6/25/21	Clarification	Pin 1 designator on board silkscreen is incorrect for the following headers: Serial Port Header, CMOS Battery Connector, and the USB 2.0 Headers. The pinout information and pin 1 designators in the TPS are correct for these headers.

Errata

Current characterized errata, if any, are documented in a separate Specification Update. See for the latest documentation.

Online Support

To Find Information About...

Intel NUC Board/Kit/Mini PC NUC11TN
Intel NUC Board/Kit/Mini PC Support
High level details for Intel NUC
Board/Kit/Mini PC NUC11TN
BIOS and driver updates
Tested memory
Integration information
Processor datasheet
Regulatory documentation

Visit this World Wide Web site:

<http://www.intel.com/NUC>
<http://www.intel.com/NUCSupport>
<https://ark.intel.com>

<https://downloadcenter.intel.com>
<http://www.intel.com/NUCSupport>
<http://www.intel.com/NUCSupport>
<https://ark.intel.com>
<http://www.intel.com/NUCSupport>

Table of Contents

1	Product Description	13
1.1	Overview	13
1.1.1	Summary of Mini PC SKUs.....	13
1.1.2	Summary of Kit and Board SKUs.....	13
1.1.3	Feature Summary	14
2	Product Layout	17
2.1	Board Layout.....	17
2.1.1	Board Layout (Bottom)	17
2.1.2	Board Layout (Dual LAN Only) (Bottom)	19
2.1.3	Board Layout (Top)	21
2.1.4	Front Panel.....	22
2.1.5	Back Panel	22
2.1.6	Chassis Expandability Options.....	23
2.1.7	Block Diagram	24
3	Feature Descriptions	25
3.1	System Memory	25
3.1.1	Intel® NUC Mini PC Memory Information.....	25
3.2	Graphics Subsystem	25
3.2.1	General Power and Memory Guidance for Optimal Graphics Performance	25
3.2.2	Intel® Iris Xe Graphics.....	25
3.2.3	Intel® UHD Graphics for 11 th Gen Intel Processors.....	26
3.2.4	Display Emulation.....	26
3.3	Integrated Audio.....	27
3.4	SATA Interface.....	27
3.5	Real-Time Clock Subsystem.....	27
3.6	LAN Subsystem.....	28
3.6.1	RJ-45 LAN Connector with Integrated LEDs.....	28
3.7	Hardware Management Subsystem	28
3.7.1	Fan Monitoring.....	28
3.7.2	System States and Power States	28
4	Technical Reference.....	31
4.1	Connectors and Headers.....	31
4.1.1	Signal Tables for the Connectors and Headers	31
4.2	Mechanical Considerations	41
4.2.1	Chassis Images.....	41
4.2.2	Form Factor.....	43
4.3	Thermal Considerations.....	44
4.4	Reliability	45
4.5	Environmental	45

5 Overview of BIOS Features	47
5.1 Introduction	47
5.2 BIOS Updates	47
5.2.1 BIOS Recovery	47
5.3 Boot Options	47
5.3.1 Boot Device Selection During Post	48
5.3.2 Power Button Menu	48
5.4 Hard Disk Drive Password Security Feature	49
5.5 BIOS Security Features	50
5.6 BIOS Error Messages	50

List of Figures

Figure 1. Major Board Components (Bottom) with Pin 1 Indicators	17
Figure 2. Major Board Components (Dual LAN only) (Bottom) with Pin 1 Indicators	19
Figure 3. Major Board Components (Top)	21
Figure 4. Front Panel Connectors	22
Figure 5. Back Panel Connectors	22
Figure 6. Back Panel Faceplate	23
Figure 7. Dual LAN Expandability Option	23
Figure 8. Block Diagram	24
Figure 9. LAN Connector LED Locations	28
Figure 10. Connection Diagram for Front Panel Header (2.0 mm Pitch)	36
Figure 11. Location of the BIOS Security Jumper	38
Figure 12. Connection Diagram for the Internal Power Supply Connector	41
Figure 13. Tall Chassis Image Angled Front	41
Figure 14. Short Chassis Image Angled Front	42
Figure 15. Tall Chassis Image Back Panel	42
Figure 16. Dual LAN Chassis Image Back Panel	42
Figure 17. Short Chassis Image Back Panel	43
Figure 18. Board Dimensions	43
Figure 19. Board Height Dimensions	44

List of Tables

Table 1. Feature Summary	14
Table 2. Additional Features	16
Table 3. Components Shown in Figure 1	18
Table 4. Components Shown in Figure 3	21
Table 5. LAN Connector LED States	28
Table 6. Systems States	29
Table 7. Wake-up Devices and Events	29
Table 8. SATA Combined Data/Power Header	31
Table 9. Internal USB 2.0 Header (1.25 mm pitch)	31

Table 10. Serial Port Header (1.25 mm pitch).....	32
Table 11. M.2 2280 Module (Mechanical Key M) Connector	32
Table 12. M.2 2230 Module (Mechanical Key E) Connector	33
Table 13. M.2 2242 Module (Mechanical Key B) Connector	34
Table 14. Front Panel Header (2.0 mm Pitch).....	36
Table 15. States for a One-Color Power LED	37
Table 16. States for a Dual-Color Power LED	37
Table 17. BIOS Security Jumper Settings.....	38
Table 18. Fan Header Current Capability.....	40
Table 19. Internal Power Supply Connector Pins.....	41
Table 21. Environmental Specifications.....	45
Table 22. Acceptable Drives/Media Type for BIOS Recovery.....	47
Table 23. Power Button Menu Options	48
Table 24. Master Key and User Hard Disk Drive Password Functions.....	49
Table 25. Supervisor and User Password Functions.....	50
Table 26. BIOS Error Messages	50

1 Product Description

1.1 Overview

1.1.1 Summary of Mini PC SKUs

Product Codes and MM#s for the SKUs below can be found at <https://ark.intel.com>.

Processor	Chassis	AC Cord (C5)	RAM	Storage	OS	TPM
Intel® Core™ i7-1185G7 Processor with Intel® vPro® Technology	Slim	US, EU, or No Cord	2 x 8 GB	500 GB Gen4 NVMe SSD	Win 10 Pro	WW ¹
Intel® Core™ i5-1145G7 Processor with Intel® vPro® Technology	Slim	US, EU, or No Cord	2 x 4 GB	500 GB Gen4 NVMe SSD	Win 10 Pro	WW ¹

¹“WW” refers to worldwide

1.1.2 Summary of Kit and Board SKUs

Product Codes and MM#s for the SKUs below can be found at <https://ark.intel.com>.

Processor	Chassis	AC Cord (C5)	RAM	Storage	TPM
Intel® Core™ i7-1185G7 Processor with Intel® vPro® Technology	Slim	US, EU, or No Cord	-	-	WW ¹
	Tall	US, EU, or No Cord	-	-	WW ¹
		CN ²	-	-	CN ²
	Dual LAN	No Cord	-	-	WW ¹
	Board	N/A	-	-	WW ¹
Intel® Core™ i7-1165G7 Processor	Slim	US, EU, or No Cord	-	-	-
	Tall	US, EU, IN, or No Cord	-	-	-
		CN ²	2 x 8 GB	500 GB Gen4 NVMe SSD	-
	Dual LAN	No Cord	-	-	-
	Board	N/A	-	-	-
Intel® Core™ i5-1145G7 Processor with Intel® vPro® Technology	Slim	US, EU, or No Cord	-	-	WW ¹
	Tall	US, EU, or No Cord	-	-	WW ¹
		CN ²	-	-	CN ²
	Dual LAN	No Cord	-	-	WW ¹
	Board	N/A	-	-	WW ¹
Intel® Core™ i5-1135G7 Processor	Slim	US, EU, or No Cord	-	-	-
	Tall	US, EU, IN, or No Cord	-	-	-
		CN ²	2 x 4 GB	500 GB Gen4 NVMe SSD	-
	Dual LAN	No Cord			-
	Board	N/A			-
Intel® Core™ i3-1115G4 Processor	Slim	US, EU, or No Cord			-
	Tall	US, EU, IN, or No Cord			-
		CN ²	2 x 4 GB	256 GB Gen3 NVMe SSD	-
	Dual LAN	No Cord			-
	Board	N/A			-

¹“WW” refers to worldwide

²“CN” refers to China

1.1.3 Feature Summary

Table 1 summarizes the major features of Intel® NUC Board, Kit, and Mini PC NUC11TN.

Table 1. Feature Summary

Board Dimensions	4.0in by 4.0in (104.1mm by 101.6mm)
Max Chassis Dimensions	Slim Chassis: 117mm by 112mm x 37mm (including feet) Tall and Dual LAN Chassis: 117mm x 112mm x 54 mm (including feet)
Processor	Intel® NUC Boards, Kits, and Mini PCs NUC11TN have a soldered-down 11 th generation Intel® Core™ quad-core or dual-core processor with up to 28 W TDP <ul style="list-style-type: none"> • Intel® Core™ i7-1185G7 Processor with Intel® vPro® Technology, MM# 99A3W0 • Intel® Core™ i7-1165G7 Processor, MM# 99A3D0 • Intel® Core™ i5-1145G7 Processor with Intel® vPro® Technology, MM# 99A3DA • Intel® Core™ i5-1135G7 Processor, MM# 99A3DG • Intel® Core™ i3-1115G4 Processor, MM# 99A3DR More information about Intel® processors can be found at https://ark.intel.com
Memory	Two 260-pin 1.2 V DDR4 SDRAM Small Outline Dual Inline Memory Module (SO-DIMM) sockets <ul style="list-style-type: none"> • Support for DDR4 2133/2400/3200 MHz SO-DIMMs • Support for 8 Gb and 16 Gb technology • Support for up to 64 GB of system memory with two SO-DIMMs using 32 GB memory modules • Support for non-ECC memory • Support for 1.2 V JEDEC memory only Note: 2 Gb and 4 Gb memory technology (SDRAM Density) is not supported More information about tested memory can be found at http://www.intel.com/NUCSupport
Graphics	Integrated graphics support for processors with Intel® Graphics Technology: <ul style="list-style-type: none"> • Supports up to quad 4K @ 60Hz displays (2 x DP/Type C + 2 x HDMI 2.0b) or (2 x DP/Type C Port 1 + 2 x DP/Type C Port 2) • Support for up to HDCP 1.4, 2.2, and 2.3 • Codecs supported are detailed in Section 3.2 i- • Supporting Persistent Display Emulation on HDMI ports only Intel® NUC Boards NUC11TN graphics performance is significantly impacted by power levels and memory selection. More information about memory guidance for optimal graphics performance is detailed in Section 3.2.1 later in this document More information about the graphics specifications are detailed in Section 3.2 later in this document
Audio	Audio via digital display outputs <ul style="list-style-type: none"> • The following audio technologies are supported by the HDMI interfaces 192kHz/16-bit or 176. kHz/24-bit, 32 Channel • When using an encoded format (such as DTS-HD MA or Dolby True HD) the board supports a single 7.1 stream. When using an un-encoded format the board supports 8 discrete, un-encoded channels per HDMI port simultaneously, for a total of 16 discrete/un-encoded channels More information about software and drivers can be found at https://downloadcenter.intel.com
Storage	One M.2 PCIe Gen4 connector supporting M.2 22x80 (key type M) for NVMe only One M.2 connector supporting M.2 22x42 (key type B) for SATA SSD, PCIe x1 or USB 3.2 expandability

	<p>One SATA 6.0 Gb/s combined data and power connector for 2.5 inch HDD</p>
Communication	<p>Intel® Wi-Fi 6 AX201 (Gig+) M.2 2230 add-in card (Mini PC and Kit only) via M.2 2230 (key type E) connector</p> <ul style="list-style-type: none"> • 802.11ax, Dual Band, 2x2 Wi-Fi + Bluetooth v5.1 • Maximum transfer speed up to 2.4 Gbps • Supports PCIe and USB • Intel® AMT/vPro support on Core i5 vPro and Core i7 vPro SKUs only <p>More information about Intel® wireless products can be found at https://ark.intel.com To obtain drivers visit https://downloadcenter.intel.com</p> <p>Gigabit (10/100/1000/2500 Mbps) LAN subsystem using the Intel® i255-LM Gigabit Ethernet Controller</p> <ul style="list-style-type: none"> • PCIe 3.1 5GT/s support for x1 width (Lane) • Single-port integrated multi-gigabit (up to 2.5G) – standard IEEE 802.3 Ethernet interface for 2500BASE-T, 1000BASE-T, 100BASE-TX, 10BASE-TE connections (IEEE 802.3, 802.3u, 802.3bz, and 802.3ab) • Full wake up support • Supports for packets up to 9.5 KB (Jumbo Frames) • Support for two RJ45 ports with the Dual LAN chassis option <p>More information about Intel® Ethernet controllers can be found at https://ark.intel.com</p>
Thunderbolt™	<p>2 x Thunderbolt™ ports (back panel)</p> <ul style="list-style-type: none"> • USB4 compliant • 15W port bus power, 7.5W port bus power • Thunderbolt networking • Protocol support: PD Modes Supported: TBT3, USB4, USB3, DP-alt/MF <p>TBT3 Tx/Rx rates: 40G (2x 20.625), 20G (2x 10.3125) PCI Express Tunnel: 32 Gbps</p> <p>USB4 Tx/Rx rates: 40G (2x 20), 20G (2x 10) USB3 Native: 10Gbps (1x10G) USB3 Tunnel: 10Gbps USB2: 480 Mbps</p> <p>DP1.4a, HBR3 DisplayPort Tunneling: Port 1: 2 streams (~35 Gbps, Thunderbolt 4 certified) Port 2: 1 stream (~17 Gbps, Thunderbolt 3 certified)</p> <p>More information about the location of the Thunderbolt™ ports can be found in Section 2.1.5 later in this document</p>
USB Ports and Headers	<p>2 x USB 4 ports via Type C/Thunderbolt™ (on back panel, shared with Thunderbolt™ as described above)</p> <p>2 x USB 3.2 Gen 2 ports (2 front panel and 1 back panel)</p> <p>1 x USB 2.0 port (1 back panel)</p> <ul style="list-style-type: none"> • 2 x Additional USB 2.0 ports (2 back panel) available on the Dual LAN chassis option <p>2 x USB 2.0 Headers (internal)</p> <p>1 x Serial Port 1x9 1.25mm pitch header (black)</p> <p>More information about the location of the USB ports and headers can be found in Section 2 later in this document More information about the pinout of the USB ports and headers can be found in Section 4.1 later in this document</p>
TPM	<p>Discrete TPM on Core i5 vPro and Core i7 vPro SKUs only</p> <ul style="list-style-type: none"> • Worldwide and China TPM SKUs available <p>Intel® Platform Trust Technology (Intel® PTT) supported on Core i3, Core i5, and Core i7 SKUs</p>

	More information about TPM and Intel® PTT is available on https://intel.com/support
Power	<p>AC Adapter</p> <ul style="list-style-type: none"> • Core i3 ships with a 90W 19V adapter • Core i5, Core i5 vPro, Core i7, and Core i7 vPro ship with a 120W 19V adapter <p>Internal Power Header</p> <ul style="list-style-type: none"> • 4-pos/dual row (2x2) right-angled header <p>Power Input</p> <ul style="list-style-type: none"> • 12V_{DC} to 24V_{DC} +/- 5% with DC voltage protection
Operating Temperatures	0-40C external ambient operating temperature (Mini PC and Kit) More information about environmental specifications can be found in Section 4.5 later in this document
BIOS	Intel® BIOS resident in the Serial Peripheral Interface (SPI) Flash device Support for Advanced Configuration and Power Interface (ACPI), Plug and Play, and System Management BIOS (SMBIOS)
Operating System (Mini PCs only)	Intel® NUC Mini PCs NUC11TN ship with Windows 10 Pro 64-bit preinstalled More information about available Intel® NUC Mini PCs NUC11TN can be found in Section 1.1.1 Summary of Mini PC SKUs. For Product Codes and MM#s visit https://ark.intel.com
Hardware Monitor Subsystem	Hardware monitoring subsystem including: Voltage sense to detect out of range power supply voltages Thermal sense to detect out of range thermal values One processor fan header Fan sense input used to monitor fan activity Fan speed control

Table 2. Additional Features

Chassis Expandability and Replaceable Lids	Intel® NUC Mini PCs and Kits NUC11TN ship with a replaceable lid that allows you to replace the cover of the NUC with a full range of cosmetic and functional lids More information about Intel NUC replaceable lids is available on intel.com at this URL and https://intel.com/nuclidsupport The Tall chassis provides a back-panel expansion bay. More information about chassis expandability options can be found in Section 2.1.6 later in this document
HDMI CEC API	Built-in support for HDMI CEC is available on both HDMI ports, which may be enabled in the BIOS for display power control, as well as via an API supporting other HDMI CEC functions. More information about the HDMI CEC API specification is available on https://www.intel.com/content/www/us/en/support/articles/000056864/intel-nuc.html
Sustained Operation	Qualified for 24x7 sustained operation
Auto CMOS Reset	
Delayed AC Start	Short delay after AC power is applied before unit is ready to power on to protect the system against voltage fluctuations in environments where multiple devices are being powered on simultaneously
Reflectivity	All surfaces meet 20GE (20 Gloss Level/Gloss Units) of shininess by measurement of Glanz
Kensington Security Slot	Available on the left side of the chassis when viewed from the front
Cable Locking Arm	Intel® NUC Mini PCs and Kits NUC11TN ship with a cable locking arm on the back panel of the chassis. The cable locking arm reduces stress on the power adapter cable in certain positions and prevents unintended losses of power
VESA Mount	Intel® NUC Mini PCs and Kits NUC11TN ship with a VESA mount and screws for attaching the system to compatible screens and monitors More information about Intel NUC VESA mounts is available on intel.com at this URL

2 Product Layout

2.1 Board Layout

2.1.1 Board Layout (Bottom)

Figure 1 shows the location of the major components on the bottom of Intel® NUC Board NUC11TN.

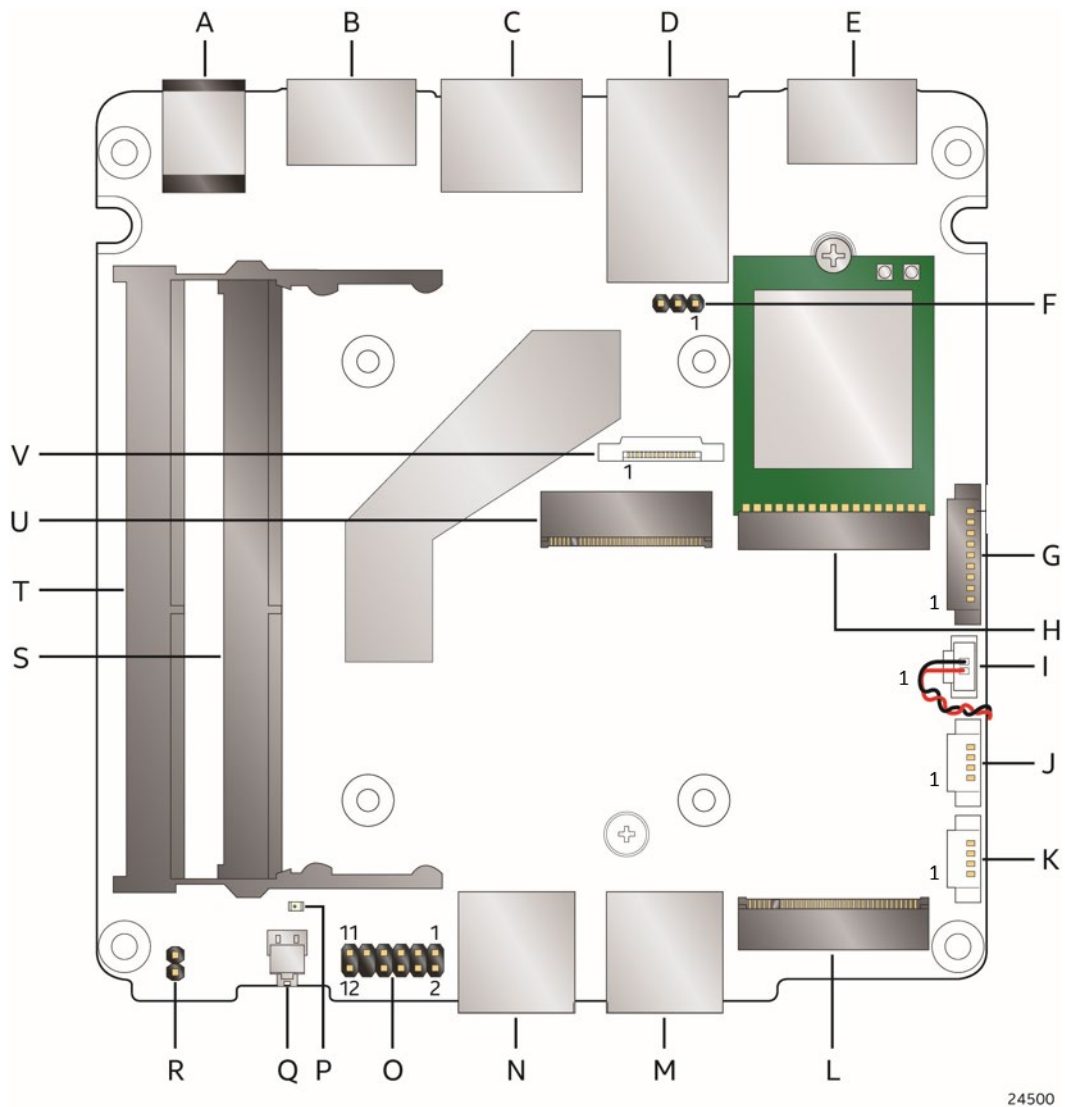


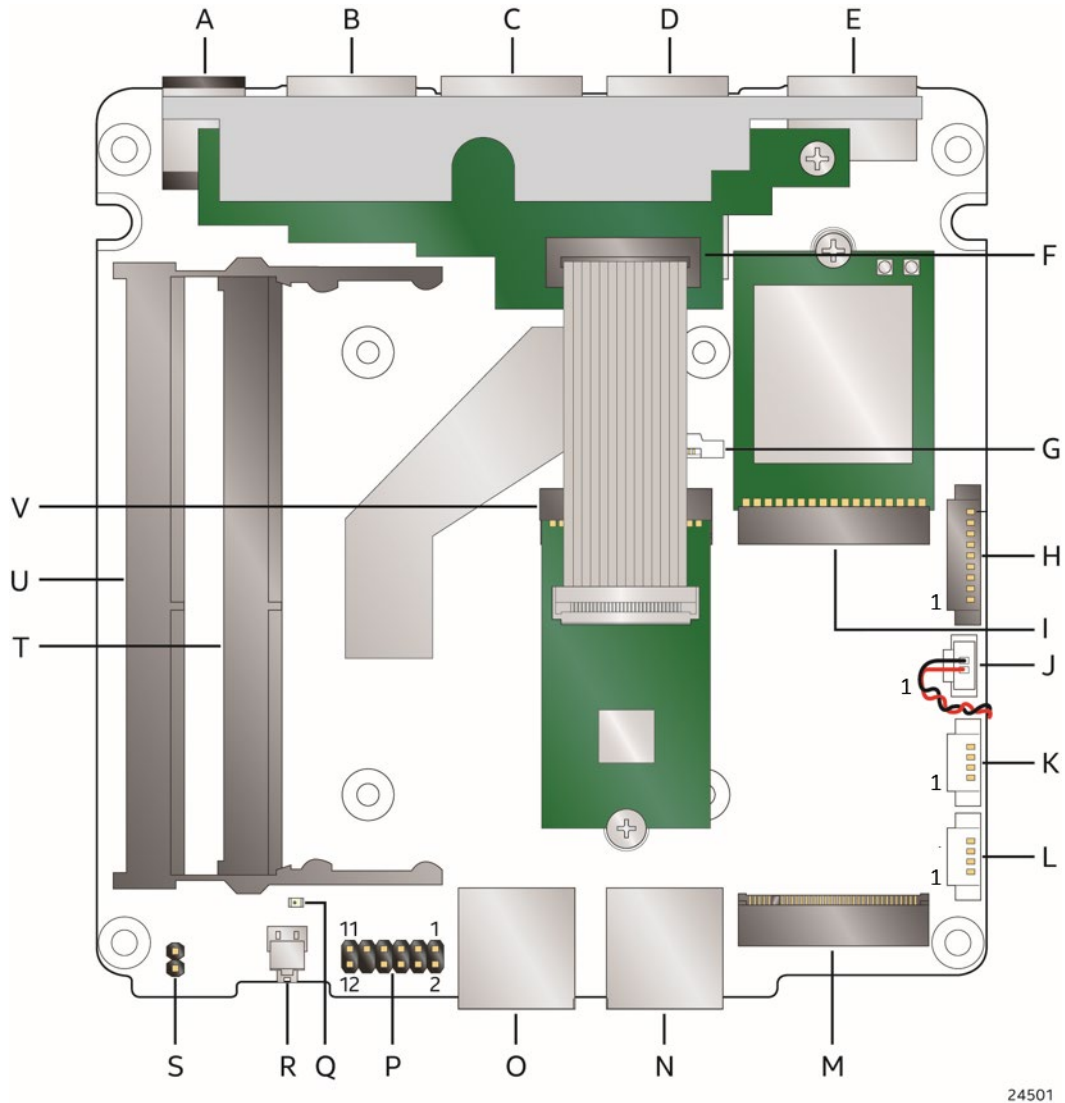
Figure 1. Major Board Components (Bottom) with Pin 1 Indicators

Table 3. Components Shown in Figure 1

Item from Figure 1	Description
A	12-24 V DC Input Jack
B	HDMI 2.0b Port 1 with Built-In CEC Support
C	LAN Connector
D	Back Panel USB 3.2 Gen 2 / USB 2.0
E	HDMI 2.0b Port 2 with Built-In CEC Support
F	BIOS Security Header
G	Serial Port Header
H	M.2 2230 Module Connector (Key Type E) (Wireless card on Mini PCs and Kits only)
I	CMOS Battery Connector
J	USB 2.0 Header
K	USB 2.0 Header
L	M.2 2280 Module Connector (Key Type M) (NVMe Only)
M	Front Panel USB 3.2 Gen 2
N	Front Panel USB 3.2 Gen 2
O	Front Panel Header
P	Standby Power LED
Q	Front Panel Power Button
R	Intel® Management Engine BIOS Extension (Intel® MEBX) Reset Header
S	DDR4 SO-DIMM 0 Socket
T	DDR4 SO-DIMM 1 Socket
U	M.2 2242 Module Connector (Key Type B)
V	Combined Data/Power SATA Connector

2.1.2 Board Layout (Dual LAN Only) (Bottom)

Figure 2 shows the location of the major components on the bottom of Intel® NUC Board NUC11TN Dual LAN. The Dual LAN SKUs include a M.2 2242 card and a Dual LAN I/O board as indicated in Figure 2.



24501

Figure 2. Major Board Components (Dual LAN only) (Bottom) with Pin 1 Indicators

Item from Figure 2	Description
A	12-24 V DC Input Jack
B	HDMI 2.0b Port 1 with Built-In CEC Support
C	LAN Connector

Intel NUC Board/Kit/Mini PC NUC11TN{X} Technical Product Specification

D	Back Panel USB 3.2 Gen 2 / USB 2.0
E	HDMI 2.0b Port 2 with Built-In CEC Support
F	Dual LAN/Dual USB IO Board
G	Combined Data/Power SATA Connector
H	Serial Port Header
I	M.2 2230 Module Connector (Key Type E) (Wireless card on Mini PCs and Kits only)
J	CMOS Battery Connector
K	USB 2.0 Header
L	USB 2.0 Header
M	M.2 2280 Module Connector (Key Type M) (NVMe Only)
N	Front Panel USB 3.2 Gen 2
O	Front Panel USB 3.2 Gen 2
P	Front Panel Header
Q	Standby Power LED
R	Front Panel Power Button
S	Intel® Management Engine BIOS Extension (Intel® MEBX) Reset Header
T	DDR4 SO-DIMM 0 Socket
U	DDR4 SO-DIMM 1 Socket
V	M.2 2242 Dual LAN/Dual USB Card

2.1.3 Board Layout (Top)

Figure 3 shows the location of the major components on the bottom-side of Intel® NUC Board NUC11TN.

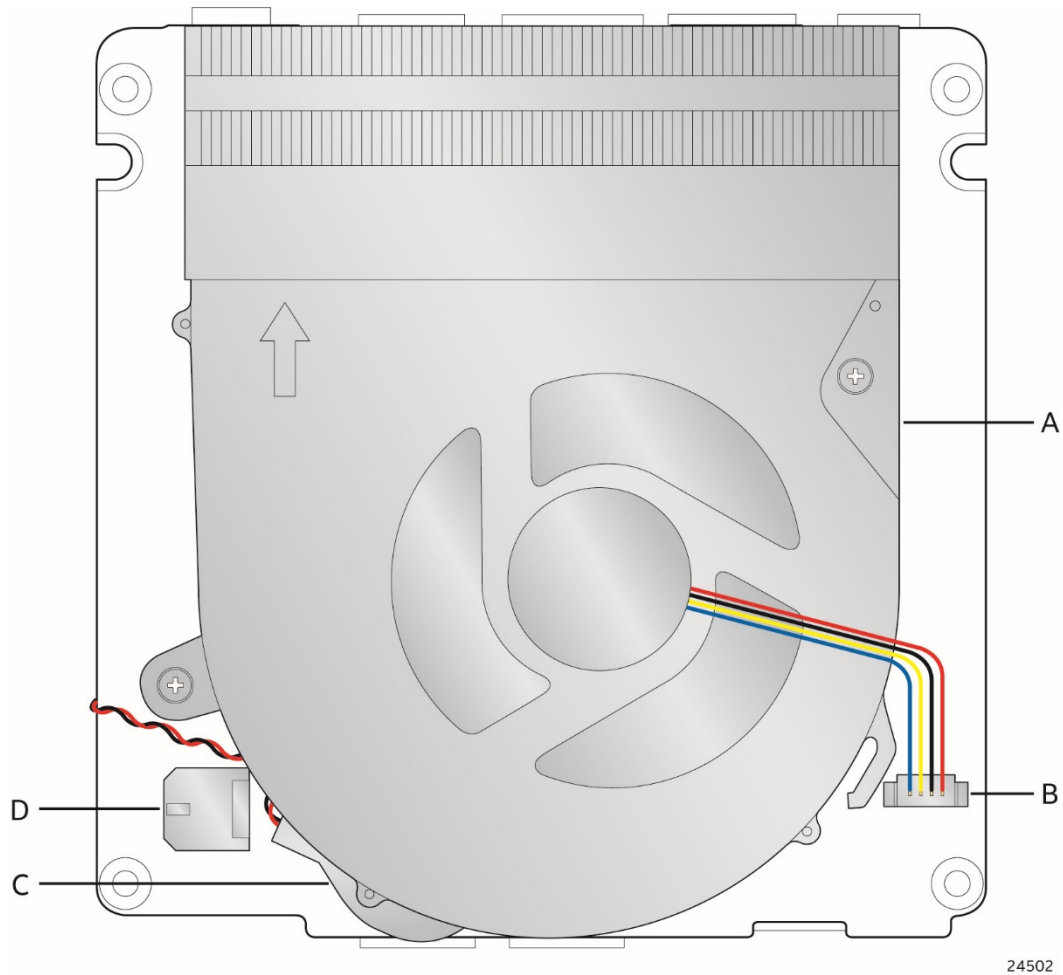


Figure 3. Major Board Components (Top)

Table 4. Components Shown in Figure 3

Item from Figure 3	Description
A	Fan and Thermal Solution
B	Fan Header
C	CMOS Battery
D	12-24 V DC 2x2 Power Connector

2.1.4 Front Panel

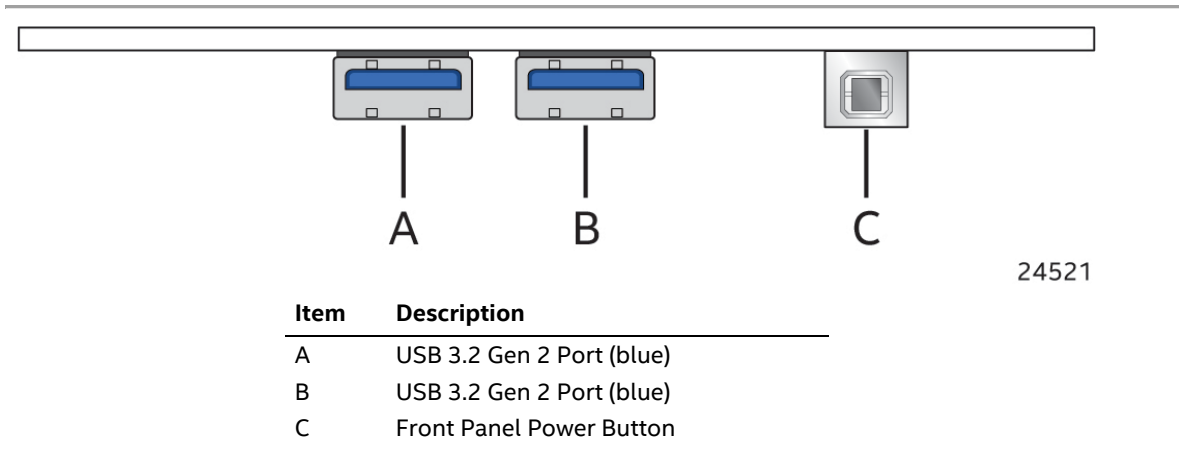


Figure 4. Front Panel Connectors

2.1.5 Back Panel

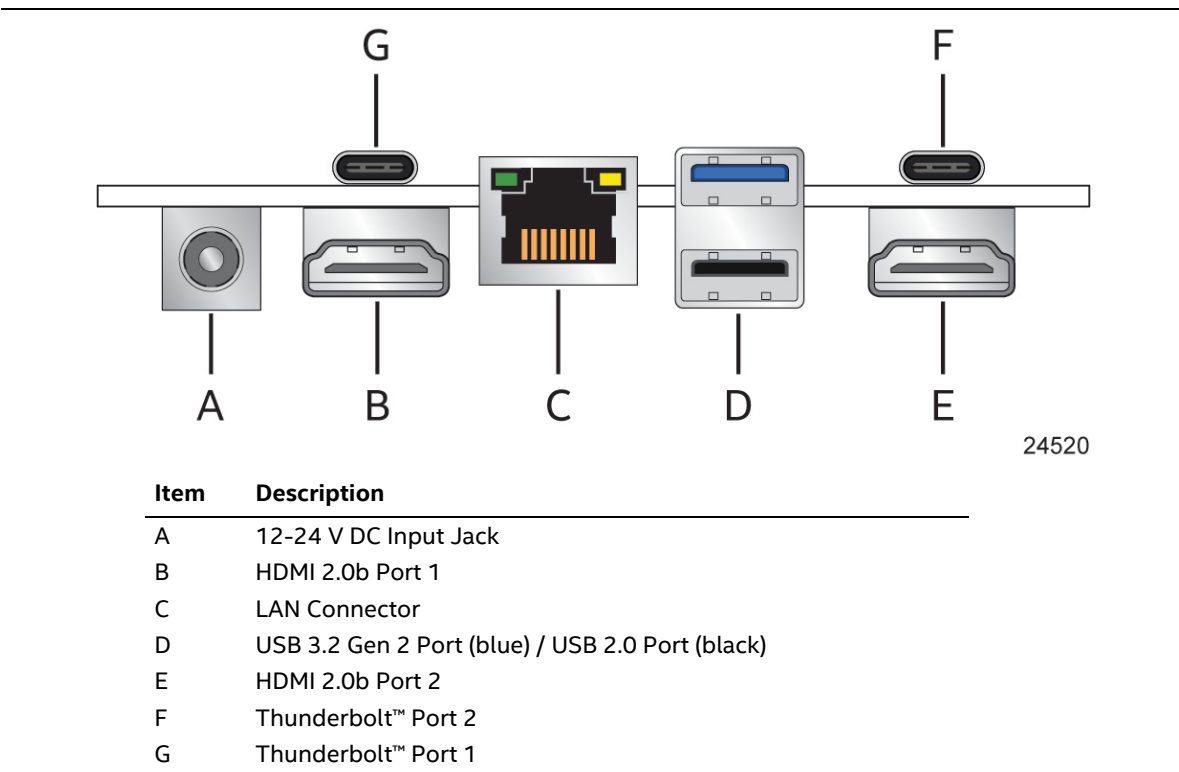


Figure 5. Back Panel Connectors

2.1.6 Chassis Expandability Options

The tall chassis provides a back-panel expansion bay that includes a removeable faceplate for when no ports are installed and an internal removeable bracket that is pre-punched for attaching one DB9 port. Some 3rd party expandability dongles are available from <https://gorite.com> and a specification is available for the design of 3rd party add in cards.



Figure 6. Back Panel Faceplate

The tall chassis is also available with a Dual LAN expandability option that supports another Intel i225-LM LAN port and two USB 2.0 Type A ports that are attached to the M.2 2242 connector through a daughterboard. The daughterboard connects to the expandability I/O board through a FPC connector using a ribbon cable.



Figure 7. Dual LAN Expandability Option

2.1.7 Block Diagram

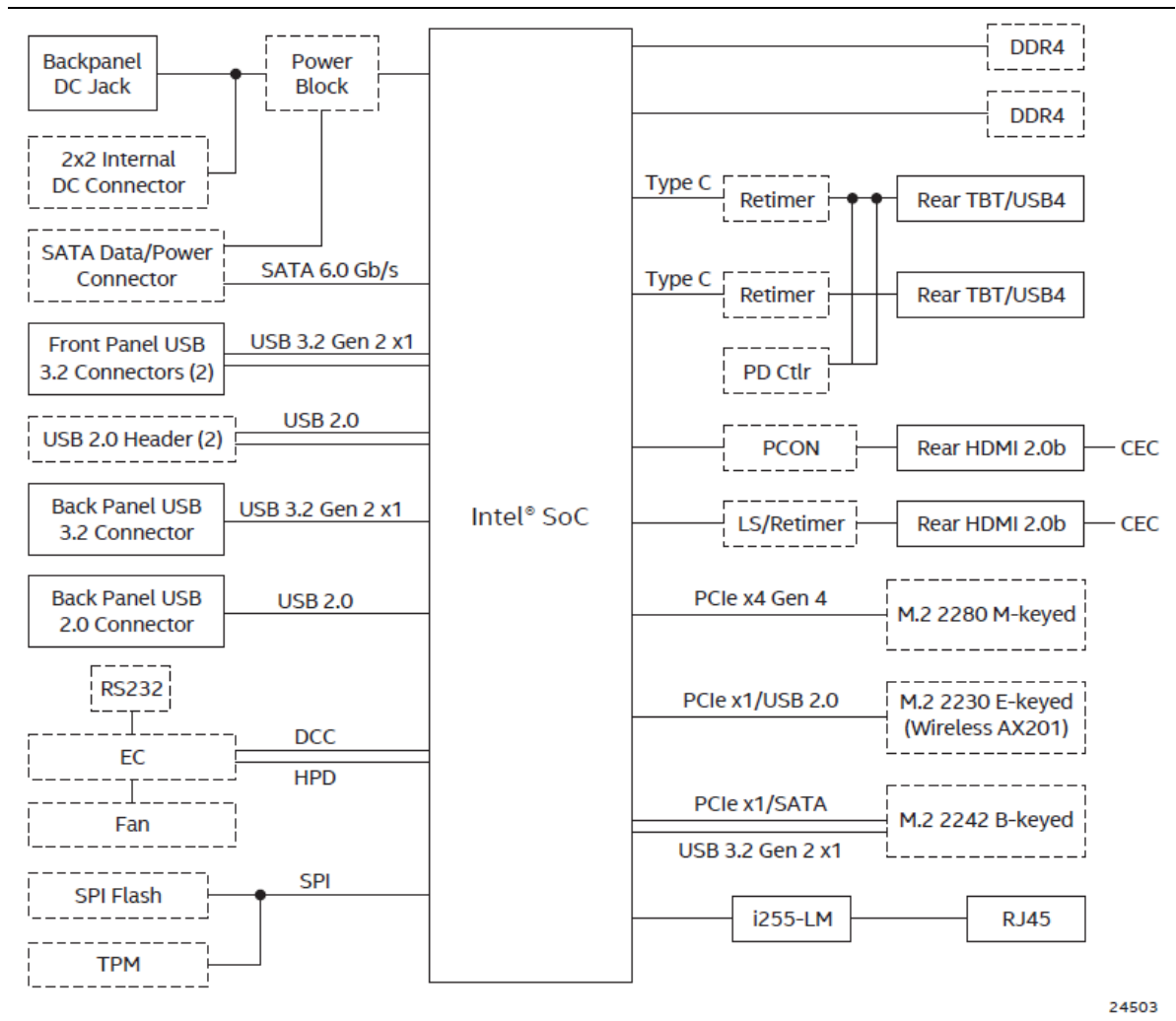


Figure 8. Block Diagram

3 Feature Descriptions

3.1 System Memory

Figure 1 illustrates the memory channel and SO-DIMM configuration.

3.1.1 Intel® NUC Mini PC Memory Information

Intel® NUC Mini PCs NUC11TN ship with 2 x 4 GB DDR4 3200 MHz SODIMMs or 2 x 8 GB DDR4 3200 MHz SODIMMs included. More information about available Intel® NUC Mini PCs NUC11TN can be found in Section 1.1.1 Summary of Mini PC SKUs.

3.2 Graphics Subsystem

Intel® NUC Boards NUC11TN support Intel® Iris® Xe Graphics (Core™ i7 vPro, i7, i5 vPro, and i5 processors) or Intel® UHD Graphics (Core™ i3 processor).

3.2.1 General Power and Memory Guidance for Optimal Graphics Performance

Intel® NUC Boards NUC11TN graphics performance is significantly impacted by power levels and memory selection. For the best performance:

- Allow for higher system power level budgets
- Use DDR4-3200 32 GB and DDR4-3200 16 GB SODIMMs
 - 128bit (Dual Channel) memory is better performing than 64bit (Single Channel) memory
 - A full list of tested memory modules are available on <https://compatibleproducts.intel.com>

3.2.2 Intel® Iris Xe Graphics

Intel® Iris® Xe Graphics supports the following features:

- The HW decode is exposed by the graphics driver using the following APIs: Direct3D* 9 Video API (DXVA2), Direct3D11 Video API, Intel Media SDK, MFT filters, Intel VA API
 - Full HW accelerated video decoding for AVC/VC1/MPEG2/HEVC/VP9/JPEG/AV1
- The HW encode is exposed by the graphics driver using the following APIs: Intel Media SDK, MFT filters
 - Full HW accelerated video encoding for AVC/HEVC/VP9/JPEG
- Max HDMI resolution 4096x2304 at 60Hz¹
- Max DP resolution (with DSC or tiled screen) 7680x4320 at 60Hz^{1,2}
- Up to quad 4K at 60Hz simultaneous displays
- Four display pipes – supporting blending, color adjustments, scaling and dithering
- Direct 3D* 2015, Direct3D* 12
- OpenGL* 4.5
- Open CL* 2.1

- HDR (High Dynamic Range) support
- HDCP (High-bandwidth Digital Content Protection) 2.3, 2.2, and 1.4

Notes:

1. Resolution support is subject to memory bandwidth availability
2. Single 8K at 60 Hz display, supported by monitors that accept dual DP input for tiled screen

3.2.3 Intel® UHD Graphics for 11th Gen Intel Processors

Intel® UHD Graphics for 11th Gen Intel Processors features the following:

- DirectX* 12.1 support
- OpenGL* 4.5 support
- Max HDMI resolution 4096x2304 at 60Hz
- Max DP resolution 7680x4320 at 60Hz
- OpenCL* 2.0 support

3.2.4 Display Emulation

Display emulation is supported using the HDMI ports so that the system may be remotely accessed in a headless configuration or be capable of tolerating display connectivity interruptions without the operating system redetecting and rearranging the overall display layout. The display emulation feature may be enabled in BIOS Setup with the following checkboxes:

- “Virtual display emulation”: provides a 1280x1024 virtual display when no displays are connected to the system and provides an additional 1280x1024 virtual display if one display is attached to the system. If two displays are attached to the HDMI ports these displays will be enabled and no virtual displays will be provided.
- “Persistent display emulation”: emulates that both displays are always connected to the system no matter their actual connection status. The EDID information from each display will remain programmed through S3, S4, and S5 power states until the feature is disabled.
 - When “Persistent display emulation” is enabled another drop-down menu (“Inconsistent Display Device”) will become visible that allows the user to select the behavior of the system when the display device EDID is inconsistent with the EDID stored by the system.
 - “Block boot” (default selection): the BIOS will display a warning message with options and will wait indefinitely for a user selection.
 - “Countdown”: the BIOS will display a warning message with options and will wait 10 seconds before booting.



NOTE

When using “Persistent display emulation” it would be expected behavior for the system not to properly drive displays different than those connected when the feature was enabled, as the EDID parameters of the initially connected displays are still being driven by the system. In order to retrain the system for different displays, the persistent display emulation feature must be disabled in the BIOS, the system rebooted, and then the persistent display emulation feature must be reenabled.

3.3 Integrated Audio

HDMI and DP interfaces can carry audio along with video. The processor supports three HD audio streams over four digital ports simultaneously. The processor supports the following audio formats over HDMI and DP:

- AC-3 Dolby* Digital
- Dolby* Digital Plus
- DTS-HD*
- LPCM, 192 kHz/24 bit, 6 channel
- Dolby* TrueHD, DTS-HD Master Audio*

Audio drivers are built into the Graphics driver and are available from Intel's website.

3.4 SATA Interface

The board provides the following SATA interfaces:

- One SATA 6.0 Gb/s combined Data and Power connector
 - Accepts up to 7mm in height 2.5" drives

The PCH provides independent SATA ports with a theoretical maximum transfer rate of 6 Gb/s. A point-to-point interface is used for host to device connections.

3.5 Real-Time Clock Subsystem

A coin-cell battery (CR2032) powers the real-time clock and CMOS memory. When the computer is not plugged into a wall socket, the battery has an estimated life of three years. When the computer is plugged in, the standby current from the power supply extends the life of the battery. The clock is accurate to ± 13 minutes/year at 25 °C with 3.3 VSB applied via the power supply 5 V STBY rail.



NOTE

If the battery and AC power fail, date and time values will be reset and the user will be notified during the POST.

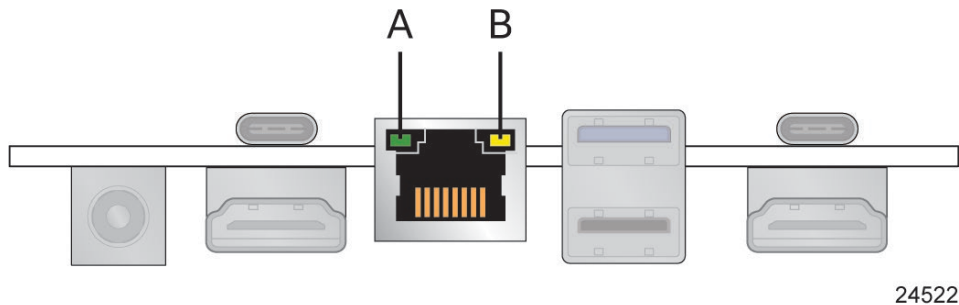
When the voltage drops below a certain level, the BIOS Setup program settings stored in CMOS RAM (for example, the date and time) might not be accurate. Replace the battery with an equivalent one. Figure 3 on page 21 shows the location of the battery.

System can power on from G3/AC power loss state without the Real-Time Clock battery.

3.6 LAN Subsystem

3.6.1 RJ-45 LAN Connector with Integrated LEDs

Two LEDs are built into the RJ-45 LAN connector (shown in Figure 9).



Item	Description
A	Link LED (Green)
B	Data Rate LED (Green/Yellow)

24522

Figure 9. LAN Connector LED Locations

Table 5 describes the LED states when the board is powered up and the LAN subsystem is operating.

Table 5. LAN Connector LED States

LED	LED Color	LED State	Condition
Link	Green	Off	LAN link is not established
		Solid	LAN link is established
		Blinking	LAN activity is occurring
Data Rate	Green/Yellow	Off	10/100 Mb/s data rate is selected
		Yellow	1000 Mb/s data rate is selected
		Green	2500 Mb/s data rate is selected

3.7 Hardware Management Subsystem

3.7.1 Fan Monitoring

Fan monitoring can be implemented using third-party software.

3.7.2 System States and Power States

Table 6 describes the ACPI states supported by the processor.

Table 6. Systems States

State	Description
G0/S0/C0	Full On: CPU operating. Individual devices may be shut to save power. The different CPU operating levels are defined by Cx states.
G0/S0/Cx	Cx State: CPU manages C-states by itself and can be in lower power states.
G1	Suspend-To-RAM (STR): The system context is maintained in system DRAM, but power is shut to non-critical circuits. Memory is retained and refreshes continue. All external clocks are shut off; RTC clock and international oscillator clocks are still toggling.
G1/S4	Suspend-To-Disk (STD): The context of the system is maintained on the disk. All power is then shut to the system except to the logic required to resume. Externally appears the same as S5 but may have different wake events.
G2/S5	Soft Off: System context not maintained. All power is shut except for the logic required to restart. A full boot is required when waking.
G3	Mechanical Off: System context not maintained. All power shut except for the RTC. No "Wake" events are possible because the system does not have any power. This state occurs if the user removes the batteries, turns off a mechanical switch, or if the system power supply is at a level that is insufficient to power the "waking" logic.

3.7.2.1 Wake-up Devices and Events

Table 7 lists the devices or specific events that can wake the computer from specific states.

Table 7. Wake-up Devices and Events

Devices/events that wake up the system...	...from this sleep state	Comments
Power switch	S0iX, S4, S5 ¹	
RTC alarm	S0iX, S4, S5 ¹	Option for monitor to remain in sleep state
LAN	S0iX, S4, S5 ^{1,3}	"S5 WOL after G3" is supported; monitor to remain in sleep state
WIFI	S0iX, S4, S5 ^{1,3}	
Bluetooth	S0iX, S4 ¹	
USB	S0iX, S4, S5 ^{1,2,3}	Wake S4, S5 controlled by BIOS option (not after G3)
PCIe	S0iX, S4 ¹	Via WAKE; monitor to remain in sleep state
HDMI CEC	S0iX, S4, S5 ¹	Wake S4, S5 controlled by BIOS option

Notes:

1. S4 implies operating system support only.
2. Will not wake from Deep S4/S5. USB S4/S5 Power is controlled by BIOS. USB S5 wake is controlled by BIOS. USB S4 wake is controlled by OS driver, not just BIOS option.
3. Windows Fast startup will block wake from LAN and USB from S5.



NOTE

The use of these wake-up events from an ACPI state requires an operating system that provides full ACPI support. In addition, software, drivers, and peripherals must fully support ACPI wake events.

4 Technical Reference

4.1 Connectors and Headers



CAUTION

Only the following connectors and headers have overcurrent protection: back panel USB Type A and Type C, front panel USB, internal USB headers, internal power header, and DC Vin jack.

All other connectors and headers are not overcurrent protected and should connect only to devices inside the computer's chassis, such as fans and internal peripherals. Do not use these connectors or headers to power devices external to the computer's chassis. A fault in the load presented by the external devices could cause damage to the computer, the power cable, and the external devices themselves.

Furthermore, improper connection of USB header single wire connectors may eventually overload the overcurrent protection and cause damage to the board.

4.1.1 Signal Tables for the Connectors and Headers

Table 8. SATA Combined Data/Power Header

Pin	Signal Name	Pin	Signal Name
1	+5V (2A total for pins 1, 2, 3, 4 (0.5A per pin))	2	+5V (2A total for pins 1, 2, 3, 4 (0.5A per pin))
3	+5V (2A total for pins 1, 2, 3, 4 (0.5A per pin))	4	+5V (2A total for pins 1, 2, 3, 4 (0.5A per pin))
5	NC	6	NC
7	NC	8	DEVSLP
9	GND	10	GND
11	SATA_RX_P	12	SATA_RX_N
13	GND	14	SATA_TX_N
15	SATA_TX_P	16	GND

Connector is vertical 0.5mm contact pitch ZIF FPC/FFC with lock

Table 9. Internal USB 2.0 Header (1.25 mm pitch)

Pin	Signal Name
1	5 V ¹
2	D -
3	D +
4	GND

¹ The two USB 2.0 headers on the board can deliver 1A per port.

Connector is Molex part number 53398-0471, 1.25mm Pitch PicoBlade* Header, Surface Mount, Vertical, Lead-Free, 4 Circuits.

Table 10. Serial Port Header (1.25 mm pitch)

Pin	Signal Name	Description
1	DCD	Data Carrier Detect
2	RXD#	Receive Data
3	TXD#	Transmit Data
4	DTR	Data Terminal Ready
5	GND	Ground
6	DSR	Data Set Ready
7	RTS	Request to Send
8	CTS	Clear to Send
9	RI	Ring Indicator

Connector is 1x9 1.25mm Pitch PicoBlade* Header, Surface Mount, Vertical, Lead-Free, 9 Circuits.

Table 11. M.2 2280 Module (Mechanical Key M) Connector

Pin	Signal Name	Pin	Signal Name
74	3.3V (4A total for pins 74, 72, 70, 18, 16, 14, 12, 4, 2 (0.5A per pin))	75	GND
72	3.3V (4A total for pins 74, 72, 70, 18, 16, 14, 12, 4, 2 (0.5A per pin))	73	GND
70	3.3V (4A total for pins 74, 72, 70, 18, 16, 14, 12, 4, 2 (0.5A per pin))	71	GND
68	SUSCLK(32kHz) (O)(0/3.3V)	69	PEDET (NC-PCIe)
66	Connector Key	67	N/C
64	Connector Key	65	Connector Key
62	Connector Key	63	Connector Key
60	Connector Key	61	Connector Key
58	N/C	59	Connector Key
56	N/C	57	GND
54	PEWAKE# (I/O)(0/3.3V) or N/C	55	REFCLKP
52	CLKREQ# (I/O)(0/3.3V) or N/C	53	REFCLKN
50	PERST# (O)(0/3.3V) or N/C	51	GND
48	N/C	49	PETp0
46	N/C	47	PETn0
44	N/C	45	GND
42	N/C	43	PERp0
40	N/C	41	PERn0
38	DEVSLP (O)	39	GND
36	N/C	37	PETp1
34	N/C	35	PETn1
32	N/C	33	GND
30	N/C	31	PERp1
28	N/C	29	PERn1

26	N/C	27	GND
24	N/C	25	PETp2
22	N/C	23	PETn2
20	N/C	21	GND
18	3.3V (4A total for pins 74, 72, 70, 18, 16, 14, 12, 4, 2 (0.5A per pin))	19	PERp2
16	3.3V (4A total for pins 74, 72, 70, 18, 16, 14, 12, 4, 2 (0.5A per pin))	17	PERn2
14	3.3V (4A total for pins 74, 72, 70, 18, 16, 14, 12, 4, 2 (0.5A per pin))	15	GND
12	3.3V (4A total for pins 74, 72, 70, 18, 16, 14, 12, 4, 2 (0.5A per pin))	13	PETp3
10	DAS/DSS# (I/O)/LED1# (I)(0/3.3V)	11	PETn3
8	N/C	9	GND
6	N/C	7	PERp3
4	3.3V (4A total for pins 74, 72, 70, 18, 16, 14, 12, 4, 2 (0.5A per pin))	5	PERn3
2	3.3V (4A total for pins 74, 72, 70, 18, 16, 14, 12, 4, 2 (0.5A per pin))	3	GND
		1	GND

Table 12. M.2 2230 Module (Mechanical Key E) Connector

Pin	Signal Name	Pin	Signal Name
74	3.3V (2A total for pins 74, 72, 4, 2 (0.5A per pin))	75	GND
72	3.3V (2A total for pins 74, 72, 4, 2 (0.5A per pin))	73	WT_CLKP
70	UIM_POWER_SRC/GPIO1/PEWAKE1#	71	WT_CLKN
68	CLKREQ1#	69	GND
66	PERST1#	67	WTD0P
64	REFCLK0	65	WTD0N
62	ALERT#/A4WP_IRQ# (I)(0/3.3)	63	GND
60	I2C CLK/A4WP_I2C_CLK (O)(0/3.3)	61	WT_D1P
58	I2C DATA/A4WP_I2C_DATA (I/O)(0/3.3)	59	WT_D1N
56	W_DISABLE1# (O)(0/3.3V)	57	GND
54	W_DISABLE2# (O)(0/3.3V)	55	PEWAKE0# (I/O)(0/3.3V)
52	PERST0# (O)(0/3.3V)	53	CLKREQ0# (I/O)(0/3.3V)
50	SUSCLK(32kHz) (O)(0/3.3V)	51	GND
48	COEX1 (I/O)(0/1.8V)	49	REFCLKN0
46	COEX2(I/O)(0/1.8V)	47	REFCLKP0
44	COEX3(I/O)(0/1.8V)	45	GND
42	CLink_CLK (I/O)	43	PERn0
40	CLink_DATA (I/O)	41	PERp0
38	C-Link RESET* (I) (0/3.3V)	39	GND
36	UART RTS/BRI_DT (I) (0/1.8V)	37	PETn0
34	UART CTS (O) (0/1.8V)	35	PETp0
32	UART TXD/RGI_DT (I) (0/1.8V)	33	GND
30	Connector Key	31	Connector Key
28	Connector Key	29	Connector Key
26	Connector Key	27	Connector Key

24	Connector Key	25	Connector Key
22	UART_RXD/BRI_RSP (O) (0/1.8V)	23	WGR_CLKP
20	UART_WAKE# (O) (0/3.3V)	21	WGR_CLKN
18	GND/LNA_EN	19	GND
16	BT_LED (LED2#)	17	WGR_D0P
14	PCM_OUT/I2SSD_OUT/CLKREQ0	15	WGR_D0N
12	PCM_IN/I2SSD_IN	13	GND
10	PCM_SYNC/I2SWS/RF_RESET_B	11	WGR_D1P
8	PCM_CLK/I2SSCK	9	WGR_D1N
6	LED1#	7	GND
4	3.3V (2A total for pins 74, 72, 4, 2 (0.5A per pin))	5	USB_D-
2	3.3V (2A total for pins 74, 72, 4, 2 (0.5A per pin))	3	USB_D+
		1	GND

Table 13. M.2 2242 Module (Mechanical Key B) Connector

Pin	Signal Name	Pin	Signal Name
74	3.3V	75	CONFIG_2 or N/C
72	3.3V	73	GND
70	3.3V	71	GND
68	SUSCLK(32kHz) (O)(0/3.3V)	69	PEDET (NC-PCIe / GND= SATA)
66	N/C	67	N/C
64	N/C	65	N/C
62	N/C	63	N/C
60	N/C	61	N/C
58	N/C	59	N/C
56	N/C	57	GND
54	PEWAKE# (I/O)(0/3.3V)	55	REFCLKP
52	CLKREQ# (I/O)(0/3.3V)	53	REFCLKN
50	PERST# (O)(0/3.3V)	51	GND
48	N/C	49	PETp0/SATA-A+
46	N/C	47	PETn0/SATA-A-
44	N/C	45	GND
42	N/C	43	PERp0/SATA-B-
40	N/C	41	PERn0/SATA-B+
38	DEVSLP (O)	39	GND
36	N/C	37	USB3.0-Tx+
34	N/C	35	USB3.0-Tx-
32	N/C	33	GND
30	N/C	31	USB3.0-Rx+
28	N/C	29	USB3.0-RX-
26	N/C	27	GND
24	N/C	25	N/C

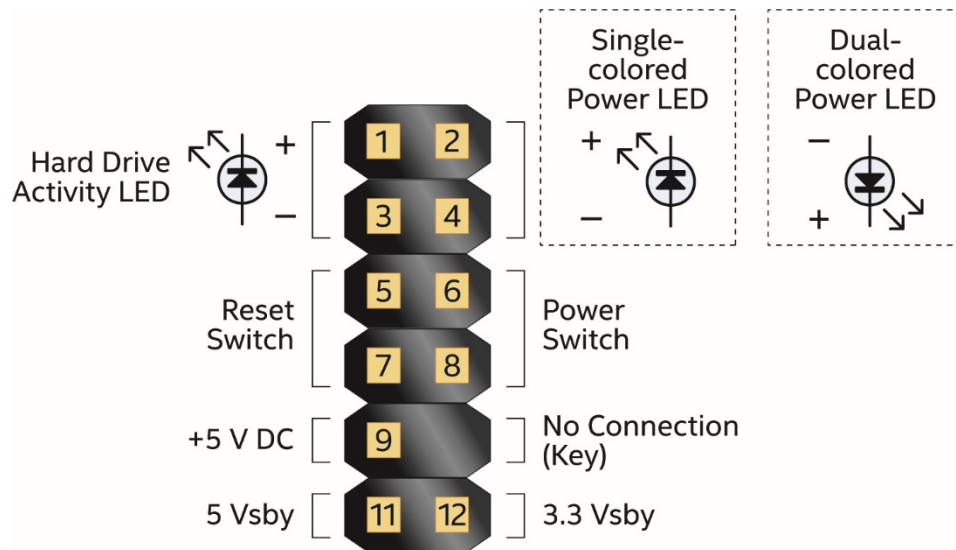
22	N/C	23	N/C
20	Connector Key	21	CONFIG_0 or N/C
18	Connector Key	19	Connector Key
16	Connector Key	17	Connector Key
14	Connector Key	15	Connector Key
12	DAS/DSS# (I/O)/LED1# (I)(O/3.3V)	13	Connector Key
10	N/C	11	GND
8	N/C	9	USB_D-
6	3.3V	7	USB_D+
4	3.3V	5	GND
2	N/C	3	GND
		1	CONFIG_3 or N/C

4.1.1.1 Front Panel Header (2.0 mm Pitch)

This section describes the functions of the front panel header. Table 14 lists the signal names of the front panel header. Figure 10 is a connection diagram for the front panel header.

Table 14. Front Panel Header (2.0 mm Pitch)

Pin	Signal Name	Description	Pin	Signal Name	Description
1	HDD_POWER_LED	Pull-up 750Ω to +5V	2	POWER_LED_MAIN	[Out] Front panel LED (main color) Pull-up 300Ω to +5V
3	HDD_LED#	[Out] HDD activity LED	4	POWER_LED_ALT	[Out] Front panel LED (alt color)
5	GROUND	Ground	6	POWER_SWITCH#	[In] Power switch
7	RESET_SWITCH#	[In] Reset switch	8	GROUND	Ground
9	+5V_DC (1A) (Vcc)	VCC5 (1A current rating)	10	Key	No pin
11	5Vsby (2A)	5VSB (2A current rating)	12	3.3Vsby (1A)	3VSB (1A current rating)



24513

Figure 10. Connection Diagram for Front Panel Header (2.0 mm Pitch)

4.1.1.1.1 Hard Drive Activity LED Header

Pins 1 and 3 can be connected to an LED to provide a visual indicator that data is being read from or written to a hard drive. Proper LED function requires a SATA hard drive or optical drive connected to an onboard SATA connector.

4.1.1.1.2 Reset Switch Header

Pins 5 and 7 can be connected to a momentary single pole, single throw (SPST) type switch that is normally open. When the switch is closed, the board resets and runs the POST.

4.1.1.1.3 Power/Sleep LED Header

Pins 2 and 4 can be connected to a one- or two-color LED. Table 15 and Table 16 show the possible LED states.

Table 15. States for a One-Color Power LED

LED State	Description
Off	Power off
Blinking	Standby
Steady	Normal operation

Table 16. States for a Dual-Color Power LED

LED State	Description
Off	Power off
Blinking (white)	Standby
Steady (white)	Normal operation



NOTE

The LED behavior shown in Table 15 is default – other patterns may be set via BIOS setup.

4.1.1.1.4 Power Switch Header

Pins 6 and 8 can be connected to a front panel momentary-contact power switch. The switch must pull the SW_ON# pin to ground for at least 50 ms to signal the power supply to switch on or off (the time requirement is due to internal debounce circuitry on the board). At least two seconds must pass before the power supply will recognize another on/off signal.

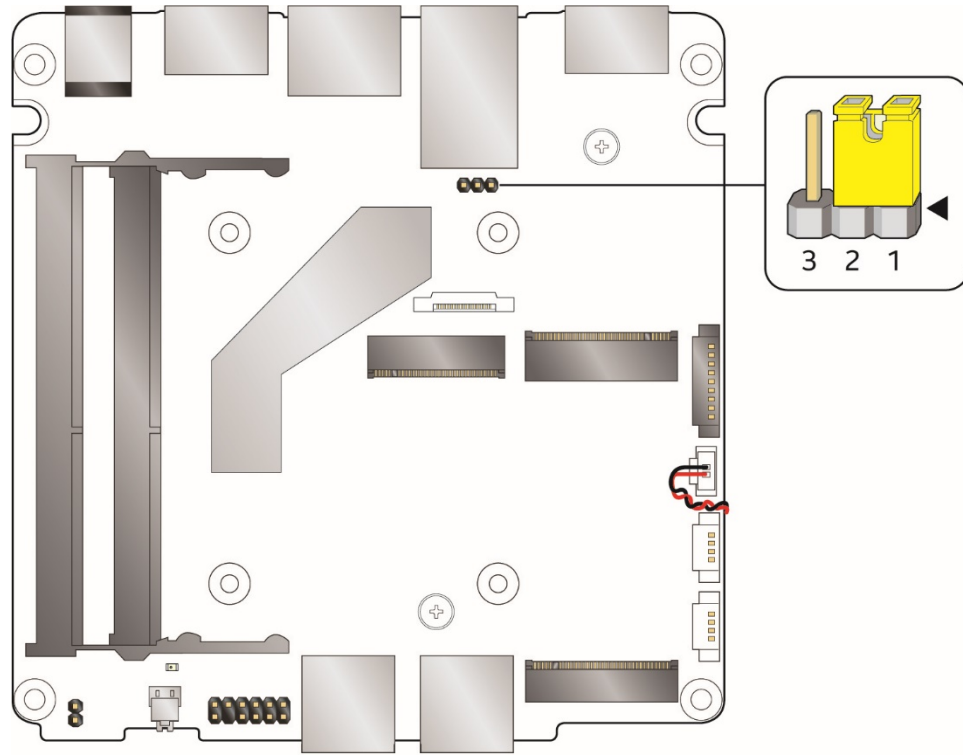
4.1.1.2 BIOS Security Jumper



CAUTION

Do not move a jumper with the power on. Always turn off the power and unplug the power cord from the computer before changing a jumper setting. Otherwise, the board could be damaged.

Figure 11 shows the location of the BIOS Security Jumper. The 3-pin jumper determines the BIOS Security program's mode.



24507

Figure 11. Location of the BIOS Security Jumper

Table 17 describes the jumper settings for the three modes: normal, lockdown, and configuration.

Table 17. BIOS Security Jumper Settings

Function/Mode	Jumper Setting	Configuration
Normal	1-2	The BIOS uses current configuration information and passwords for booting.
Lockdown	2-3	<p>The BIOS uses current configuration information and passwords for booting, except:</p> <ul style="list-style-type: none"> All POST Hotkeys are suppressed (prompts are not displayed and keys are not accepted. For example, F2 for Setup, F10 for the Boot Menu). Power Button Menu is not available (see Section 5.3.2 Power Button Menu). <p>BIOS updates are not available except for automatic Recovery due to flash corruption.</p>

Configuration	None	<p>BIOS Recovery Update process if a matching *.bio file is found. Recovery Update can be cancelled by pressing the Esc key.</p> <p>If the Recovery Update was cancelled or a matching *.bio file was not found, a Config Menu will be displayed. The Config Menu consists of the following (followed by the Power Button Menu selections):</p> <ul style="list-style-type: none"> [1] Suppress this menu until the BIOS Security Jumper is replaced. [2] Clear BIOS User and Supervisor Passwords. [3] Reset Intel® AMT to default factory settings. [4] Clear Trusted Platform Module. <p>Warning: Data encrypted with the TPM will no longer be accessible if the TPM is cleared.</p> <ul style="list-style-type: none"> [F2] Intel® Visual BIOS. [F4] BIOS Recovery. <p>See Section 5.3.2 Power Button Menu</p>
---------------	------	---

4.1.1.3 Intel® Management Engine BIOS Extension (Intel® MEBX) Reset Header

The Intel® MEBX reset header (see Figure 1) allows you to reset the CMOS values to the factory defaults in situations when the system may have become unresponsive, such as after a failed BIOS update. It achieves this by placing a low on the reset pin of the Real Time Clock (RTC).

Momentarily shorting pins 1 and 2 with a jumper will accomplish reset CMOS values to default.



CAUTION Always turn off the power and unplug the power cord from the computer before installing an MEBX reset jumper. The jumper must be removed before reapplying power. The system must be allowed to reach end of POST before reset is complete. Otherwise, the board could be damaged.



NOTE After using the MEBX Reset, a “CMOS battery failure” warning will occur during the next POST. This is expected and does not indicate a component failure.



CAUTION Caution must be taken to avoid inadvertent shorting of the bottom cover screw to the header during bottom cover reassembly. Assemble the bottom cover before reapplying power to the system.

4.1.1.4 Fan Header Current Capability

Table 18 lists the current capability of the fan headers.

Table 18. Fan Header Current Capability

Fan Header	Maximum Available Current
Processor fan	1 A

4.1.1.5 Power Supply Connectors



NOTE External power voltage, 12-24 ($\pm 5\%$) V DC, is dependent on the type of power supply used. System power requirements will depend on actual system configurations chosen by the integrator, as well as end user expansion preferences. It is the system integrator's responsibility to ensure an appropriate power budget for the system configuration is properly assessed based on the system-level components chosen.



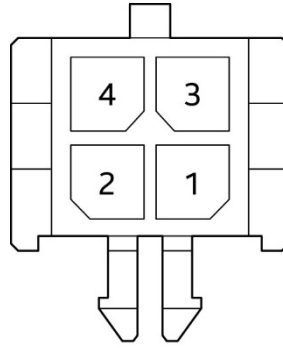
CAUTION

There is no isolation circuitry between the external DC jack and the internal 2 x 2 power connector. It is the system integrator's responsibility to ensure no more than one power supply unit is or can be attached to the board at any time and to ensure the external DC jack is covered if the internal 2 x 2 power connector is to be used. Simultaneous connection of both external and internal power supply units could result in potential damage to the board, power supplies, or other hardware.

The board has the following power supply connectors:

- **External Power Supply** – the board can be powered through a 12-24 V DC connector on the back panel. The back-panel DC connector is compatible with a 5.5 mm/OD (outer diameter) and 2.5 mm/ID (inner diameter) plug, where the inner contact is +12-24 V DC and the shell is GND. The maximum current rating is 10 A.
- **Internal Power Supply** – the board can alternatively be powered via the internal 12-24 V DC 2 x 2 power connector, where pins 1 and 2 are +12-24 V DC and pins 3 and 4 are GND. The maximum current rating is 10 A (5A per pins 1 and 2).

The connector used is Molex Micro-Fit (3mm pitch), right-angled, 4-pos/dual row (2x2).



OM24146

Table 19. Internal Power Supply Connector Pins

Pins	Signal Name
1,2	+12-24V
3,4	GND

Figure 12. Connection Diagram for the Internal Power Supply Connector

4.2 Mechanical Considerations

4.2.1 Chassis Images



Figure 13. Tall Chassis Image Angled Front



Figure 14. Short Chassis Image Angled Front



Figure 15. Tall Chassis Image Back Panel



Figure 16. Dual LAN Chassis Image Back Panel



Figure 17. Short Chassis Image Back Panel

4.2.2 Form Factor

The board is designed to fit into a custom chassis. Figure 18 illustrates the mechanical form factor for the board. Dimensions are given in inches [millimeters]. The outer dimensions are 104.1 millimeters (front to back) by 101.6 millimeters (side to side).

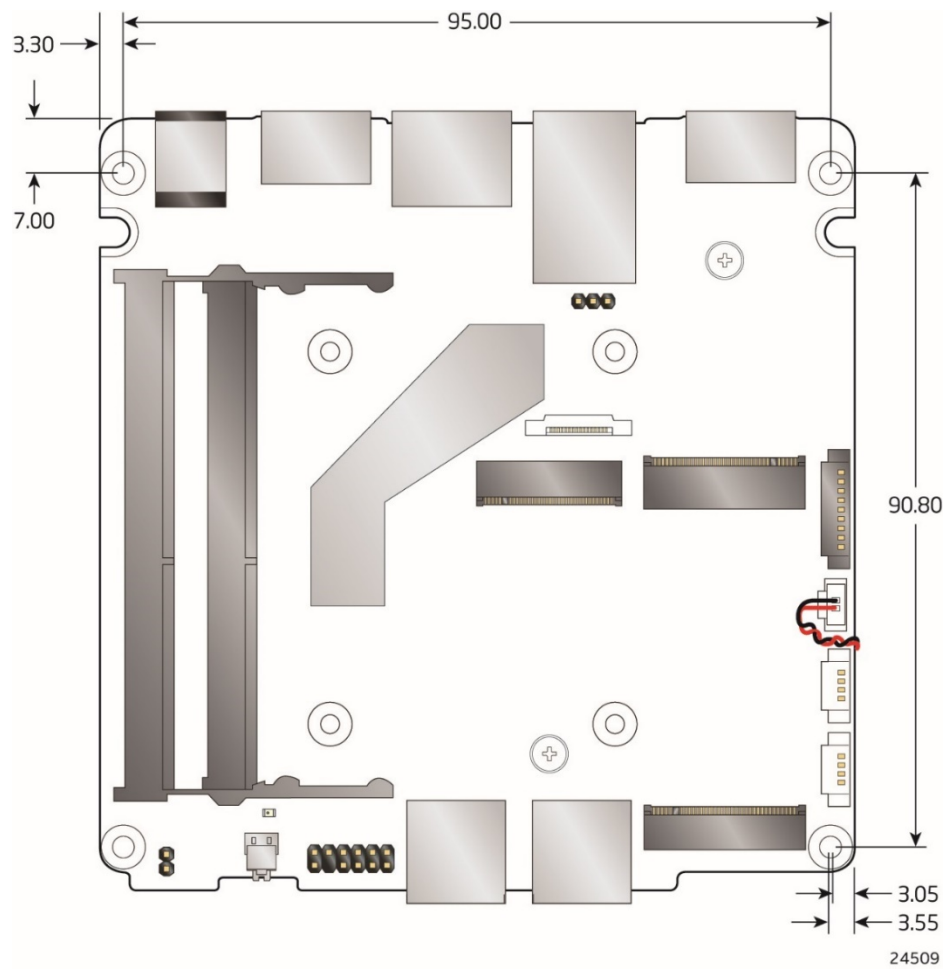


Figure 18. Board Dimensions

Figure 19 shows the height dimensions of the board. Dimensions are in mm.

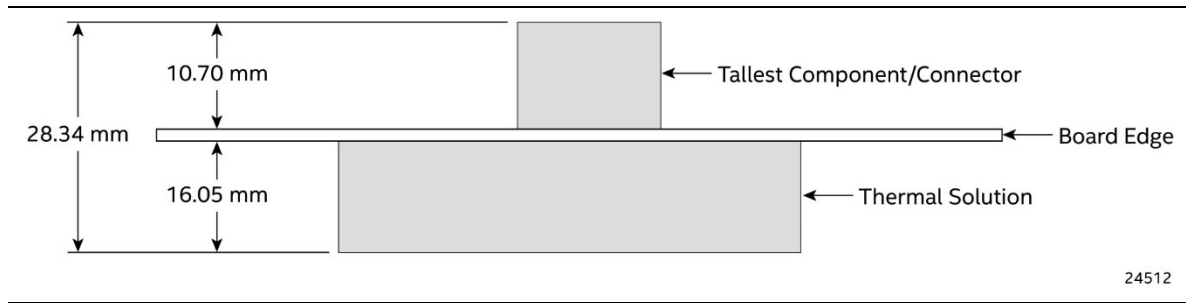


Figure 19. Board Height Dimensions

4.3 Thermal Considerations



CAUTION

Failure to ensure appropriate airflow may result in reduced performance of both the processor and/or voltage regulator or, in some instances, damage to the board.

All responsibility for determining the adequacy of any thermal or system design remains solely with the system integrator. Intel makes no warranties or representations that merely following the instructions presented in this document will result in a system with adequate thermal performance.



CAUTION

Ensure that the ambient temperature does not exceed the board's maximum operating temperature. Failure to do so could cause components to exceed their maximum case temperature and malfunction. For information about the maximum operating temperature, see the environmental specifications in Section 4.5.



CAUTION

Ensure that proper airflow is maintained in the processor voltage regulator circuit. Failure to do so may result in shorter than expected product lifetime.

4.4 Reliability

The demonstrated Mean Time Between Failures (MTBF) is done through 24/7 testing. Full Intel® NUC systems in chassis with memory, SSD or HDD, and a fan are ran at 100% on time for 90 days continuously while running system wide stress inducing software in a 40 °C ambient air temperature chamber. The demonstrated MTBF for Intel NUC Board NUC11TN is >50,000 hours.

4.5 Environmental

Table 21 lists the environmental specifications for the board.



CAUTION

If the external ambient temperature exceeds 40 °C, further thermal testing is required to ensure components do not exceed their maximum operating temperature.

Table 20. Environmental Specifications

Parameter	Specification		
Temperature			
Sustained Storage Limits (i.e. warehouse)	-20 °C to +40 °C		
Short Duration Limits (i.e. shipping)	-40 °C to +60 °C		
Ambient Operating – NUC Kit*	0 °C to +40 °C		
Ambient Operating – NUC Board*	0 °C to +50 °C (Local ambient temperature inside the chassis)		
	* Processor performance may automatically decrease when the system operates in the top 5 °C of the ambient operating temperature ranges above.		
Shock (Board)			
Unpackaged	50 g trapezoidal waveform		
	Velocity change of 170 inches/s ²		
Packaged	Free fall package drop machine set to the height determined by the weight of the package.		
	Product Weight (pounds)	Non-palletized Product drop height (inches)	Palletized drop heights (single product) (inches)
	<20	36	N/A
	21-40	30	N/A
	41-80	24	N/A
	81-100	18	12
	100-120	12	9
Vibration (System)			
Unpackaged	Random profile 5 Hz to 40 Hz @ 0.015 g ² /Hz to 500 Hz @ 0.00015 g ² /Hz(slope down)		
	Input acceleration is 1.09 gRMS		

Intel NUC Board/Kit/Mini PC NUC11TN{X} Technical Product Specification

Packaged	Random profile 5 Hz to 40 Hz @ 0.015 g ² /Hz to 500 Hz @ 0.00015 g ² /Hz(slope down)
	Input acceleration is 1.09 gRMS

Note: The operating temperature of the board may be determined by measuring the air temperature from the junction of the heatsink fins and fan, next to the attachment screw, in a closed chassis, while the system is in operation.

Note: Before attempting to operate this board, the overall temperature of the board must be above the minimum operating temperature specified. It is recommended that the board temperature be at least room temperature before attempting to power on the board. The operating and non-operating environment must avoid condensing humidity.

5 Overview of BIOS Features

5.1 Introduction

The board uses an Intel AMI BIOS core that is stored in the Serial Peripheral Interface Flash Memory (SPI Flash) and can be updated through multiple methods (see Section 5.2). The SPI Flash contains the BIOS Setup program, POST, the PCI auto-configuration utility, LAN EEPROM information, and Plug and Play support. The SPI Flash includes a 32 MB flash memory device.

The BIOS Setup program can be used to view and change the identification information and the BIOS settings for the system. The BIOS Setup program is accessed by pressing <F2> after the POST memory test beings and before the operating system boots.

5.2 BIOS Updates

The BIOS can be updated using one of the following methods:

1. Express BIOS (Windows-based) Update
2. F7 Update
3. Power Button Menu Update
4. UEFI Shell Update

More information and instructions on how to use each of these methods can be found at [BIOS Update and Recovery Instructions](#). All BIOS update files for Intel NUCs are available on [Download Center](#).

5.2.1 BIOS Recovery

It is unlikely that anything will interrupt a BIOS update; however, if an interruption occurs the BIOS could be unstable. Table 22 lists the drives and media types that can be used for BIOS recovery. The BIOS recovery media does not need to be made bootable. More information about BIOS recovery methods and instructions can be found at [BIOS Update and Recovery Instructions](#).

Table 21. Acceptable Drives/Media Type for BIOS Recovery

Media Type ^(Note)	Can be used for BIOS recovery?
Hard disk drive (connected to SATA or USB)	Yes
USB flash drive	Yes
NVME SSD (M.2 interface)	Yes



NOTE Supported file systems for BIOS recovery: NTFS (sparse, compressed, or encrypted files are not supported), FAT32, EXT

5.3 Boot Options

In the BIOS Setup program, the user can choose to boot from a hard drive, removable driver, or the network. The default setting is for the hard drive to be the first boot device, the removable drive second, and the network third.



NOTE The network can be selected as a boot device. This selection allows booting from the onboard LAN or a network add-in card with a remote boot ROM installed. Pressing the <F12> key during POST automatically forces booting from the LAN. To use this key during POST, the User Access Level in the BIOS Setup program's Security menu must be set to Full.

5.3.1 Boot Device Selection During Post

Pressing the <F10> key during POST causes a boot device menu to be displayed. The menu displays the list of available boot devices.

5.3.2 Power Button Menu

As an alternative to Configuration Mode or normal POST hotkeys, the user can use the power button to access a menu with BIOS and boot options. The Power Button Menu is accessible via the following sequence:

1. System is in S4/S5 (not G3)
 2. User pushes the power button and holds it down for 3 seconds
 3. The Front Panel Power Button LED will be on for the first 3 seconds. After 3 seconds, the LED will begin to blink in the following pattern: 0.25 seconds off, 0.25 seconds on, 0.25 seconds off to signal the user to release the power button
 4. User releases the power button before the 4-second shutdown override
- If this boot path is taken, the BIOS will use default settings, ignoring settings in VPD where possible. At the point where Setup Entry/Boot would be in the normal boot path, the BIOS will display the following prompt and wait for a keystroke:

If an unrecognized key is hit, then the BIOS will do nothing and wait for another keystroke. If one of the listed hotkeys is hit, the BIOS will follow the indicated boot path. Password requirements must still be honored.

Table 22. Power Button Menu Options

Keystroke	Option	Description
[ESC]	Normal Boot	
[F2]	BIOS Setup Menu	
[F3]	Disable Fast Boot	Note: Will only be displayed if at least one Fast Boot optimization is enabled. If Disable Fast Boot is selected, the BIOS will disable all Fast Boot optimizations and reset the system.
[F4]	BIOS Recovery	The BIOS will search for a matching .CAP file from the \EFI\Intel folder in the supported media with the supported file system. If a matching recovery capsule is found, the BIOS will display the following: BIOS will Recover to <BIOSID> in 20 seconds. [ESC] Cancel Recovery Recovery will proceed if not cancelled via the ESC key within 20 seconds. The BIOS shall display the recovery progress. If a BIOS .CAP file was not detected (or the BIOS Recovery was cancelled) then the BIOS will reset the system and continue normally to POST.
[F5]	Restore BIOS Settings	The BIOS will restore the current setup settings and the current defaults to the build time defaults in the case of a boot issue caused by setup variable changes.

[F7]	Update BIOS	BIOS Update during the BDS phrase. The BIOS will update independent of any OS loading and provides a menu UI accessible during boot up. This is not a recovery tool and will not overwrite a corrupt BIOS or ME firmware.
[F9]	Remote Assistance	Note: Will only be displayed if Remote Assistance is supported.
[F10]	Enter Boot Menu	
[F12]	Network Boot	

5.4 Hard Disk Drive Password Security Feature

The Hard Disk Drive Password Security feature blocks read and write access to the hard disk drive until the correct password is given. Hard disk drive passwords are set in BIOS Setup and are prompted for BIOS POST. For convenient support for resuming from S3, the system BIOS will automatically unlock drives on resume from S3. Valid password characters are A-Z, a-z, and 0-9. Passwords may be up to 32 characters in length.

The User hard disk drive password, when set, will be required on each power cycle until the Master Key or User hard disk drive password is submitted.

The Master Key hard disk drive password, when set, will not lock the drive. The Master Key hard disk drive password exists as an unlock override if the User hard disk drive password is forgotten. Only the User hard disk drive password, when set, will cause a hard disk to be locked on a system power cycle. Table 24 show the effects of setting the hard disk drive passwords.

Table 23. Master Key and User Hard Disk Drive Password Functions

Password Set	Password During Boot
Neither	None
Master only	None
User only	User only
Master and User Set	User

During every POST, if a User hard disk drive password is set, POST execution will pause with the following prompt to force the User to enter the Master Key or the User hard disk drive password:

“Enter Hard Disk Drive Password:”

Upon successful entry of the Master Key or User hard disk drive password, the system will continue with normal POST.

If the hard disk drive password is not correctly entered, the system will go back to the above prompt. The User will have three attempts to correctly enter the hard disk drive password. After the third unsuccessful attempt, the system will halt with the following message:

“Hard Disk Drive Password Entry Error”

A manual power cycle will be required to resume system operation.



NOTE As implemented on the Intel NUC11TN board, the hard disk drive password security feature is only supported on the SATA Port 0 (M.2) or the SATA port 1 (onboard SATA connector).

5.5 BIOS Security Features

The BIOS includes security features that restrict access to the BIOS Setup program and who can boot the computer. A Supervisor and User password can be set for the BIOS Setup program and for booting the computer, with the following restrictions:

- The Supervisor password gives unrestricted access to view and change all the Setup options in the BIOS Setup program. This is Supervisor Mode.
- The User password gives restricted access to view and change Setup options in the BIOS Setup program. This is User Mode.
- If only the Supervisor password is set, pressing the <Enter> key at the password prompt of the BIOS Setup program allows the user restricted access to Setup.
- If both the Supervisor and User passwords are set, users can enter either the Supervisor or User password to access Setup. Users have access to Setup regardless to which password is used.
- Setting the User password restricts who can boot the computer. The password prompt will be displayed before the computer boots. If only the Supervisor password is set, the computer boots without asking for a password. If both passwords are set, the user can enter either password to boot the computer.
- For enhanced security, use different passwords for the Supervisor and User passwords.
- Valid password characters are A-Z, a-z, 0-9, and special characters. Passwords may be up to 20 characters in length.
- To clear a set password, enter a blank password after entering the existing password.

Table 25 shows the effects of setting the Supervisor password and User password. This table is for reference only and is not displayed on the screen.

Table 24. Supervisor and User Password Functions

Password Set	Supervisor Mode	User Mode	Setup Options	Password to Enter Setup	Password During Boot
Neither	Any user can change all options	Any user can change all options	None	None	None
Supervisor only	Can change all options	Can change a limited number of options	Supervisor Password	Supervisor	None
User only	N/A	Can change all options	Enter Password Clear User Password	User	User
Supervisor and User set	Can change all options	Can change a limited number of options	Supervisor Password Enter Password	Supervisor or User	Supervisor or User

5.6 BIOS Error Messages

Table 26 lists the error messages and provides a brief description of each.

Table 25. BIOS Error Messages

Error Message	Explanation
CMOS Battery Failure	The battery may be losing power. Replace the battery soon.
CMOS Checksum Error	The CMOS checksum is incorrect. CMOS memory may have been corrupted. Run Setup to reset values.
Memory Size Decreased	Memory size has decreased since the last boot. If no memory was removed, then the memory may be bad.

CMOS Timer Not Set	The battery may be losing power. Replace the battery soon.
Processor Thermal Trip	Processor overheated.
Auto RTC Reset	The system triggers RTC clear to recover the system back to the normal condition from consecutive boot failure.

Mouser Electronics

Authorized Distributor

Click to View Pricing, Inventory, Delivery & Lifecycle Information:

Intel:

[BNUC11TNBI30000](#) [BNUC11TNBV70000](#) [BNUC11TNHI30000](#) [BNUC11TNHI30001](#) [BNUC11TNHI30L00](#)
[BNUC11TNHI50000](#) [BNUC11TNKV50WC1](#) [BNUC11TNKV70QC1](#) [BNUC11TNKV50001](#) [BNUC11TNKV50WC0](#)
[BNUC11TNKV70000](#) [BNUC11TNKV70001](#) [BNUC11TNKV70QC0](#) [BNUC11TNBI50000](#) [BNUC11TNBI70000](#)
[BNUC11TNBV50000](#) [BNUC11TNKI30001](#) [BNUC11TNKI50000](#) [BNUC11TNKI50001](#) [BNUC11TNKI70000](#)
[BNUC11TNKI70001](#) [BNUC11TNKV50000](#) [BNUC11TNHV50001](#) [BNUC11TNHV50L00](#) [BNUC11TNHV70000](#)
[BNUC11TNHV70001](#) [BNUC11TNHV70L00](#) [BNUC11TNKI30000](#) [BNUC11TNHI50001](#) [BNUC11TNHI50L00](#)
[BNUC11TNHI70000](#) [BNUC11TNHI70001](#) [BNUC11TNHI70L00](#) [BNUC11TNHV50000](#)