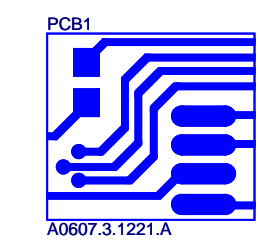
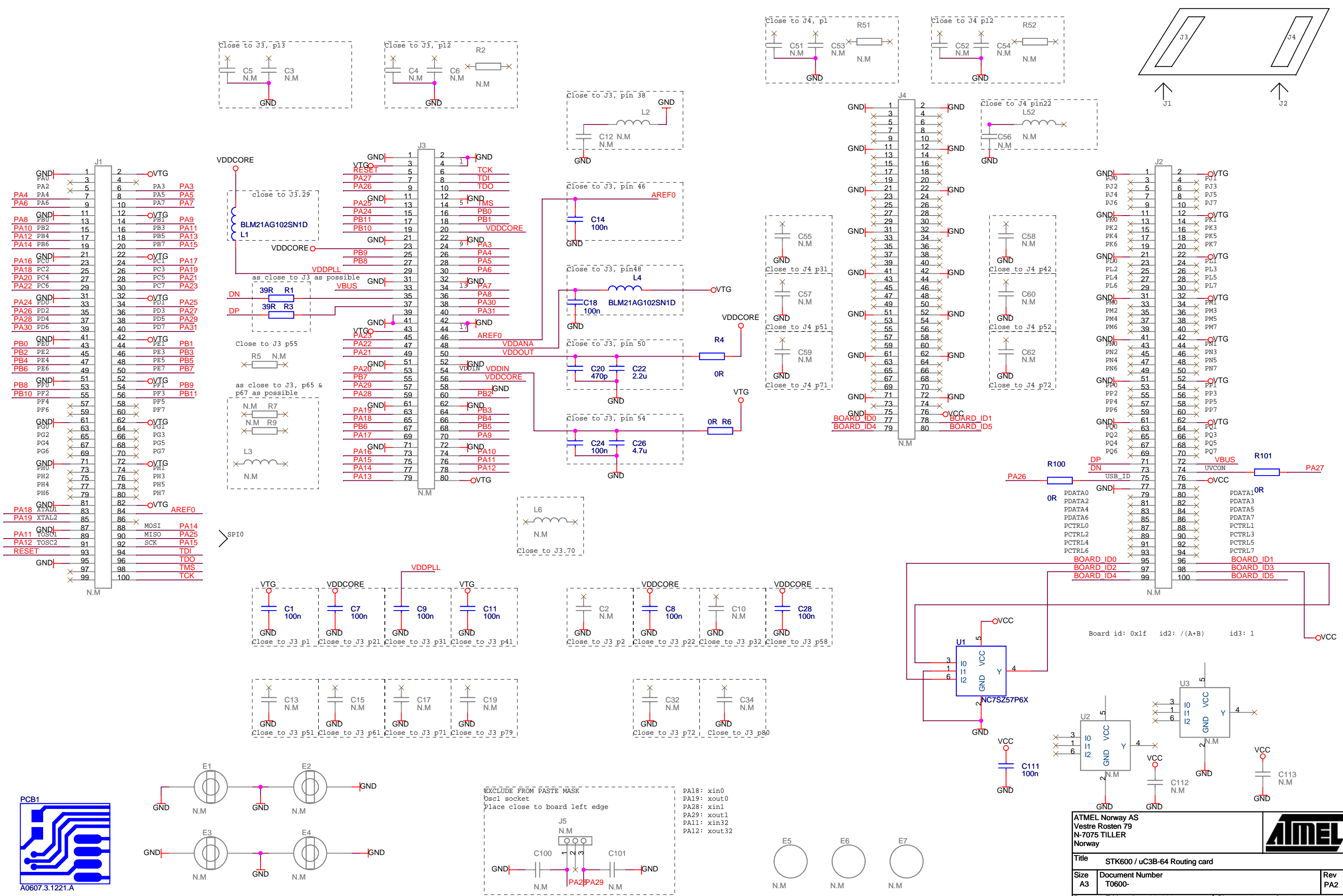


uc3B0-64pin Routing card

component placement prepared for uc3B1 and uc3A1

USB VCON and ID selected to PA26/27 (usart3 and TC ch 0)
alt was: PA03/04 (adc and gclk)

J3 and J4 mates up to the socket card, while J1 and J2 goes down to the mother board. J1 is physical placed below J3, and J2 below J4.



EXCLUDE FROM PASTE MASK
0sc1 socket
place close to board left edge

J5
N.M.

C100 N.M. PA29 PA29 C101 N.M.

PA18: xin0
PA19: xout0
PA28: xin1
PA29: xout1
PA11: xin32
PA12: xout32

ATMEL Norway AS Vestre Rosten 79 N-7075 TILLER Norway			
Title	STK600 / uc3B-64 Routing card		
Size	A3	Rev	PA2
Date:	Friday, June 01, 2007	Sheet	0 of 1

Mouser Electronics

Authorized Distributor

Click to View Pricing, Inventory, Delivery & Lifecycle Information:

[Microchip:](#)

[ATSTK600-RC21](#)