

REV. A		SHEET 1 OF 1		DOCUMENT NO. PANEL-DRAIN-SLS	
REVISIONS					
LTR	DESCRIPTION			DATE	
A	INITIAL RELEASE			08/26/2020	

PANEL-DRAIN-SLS

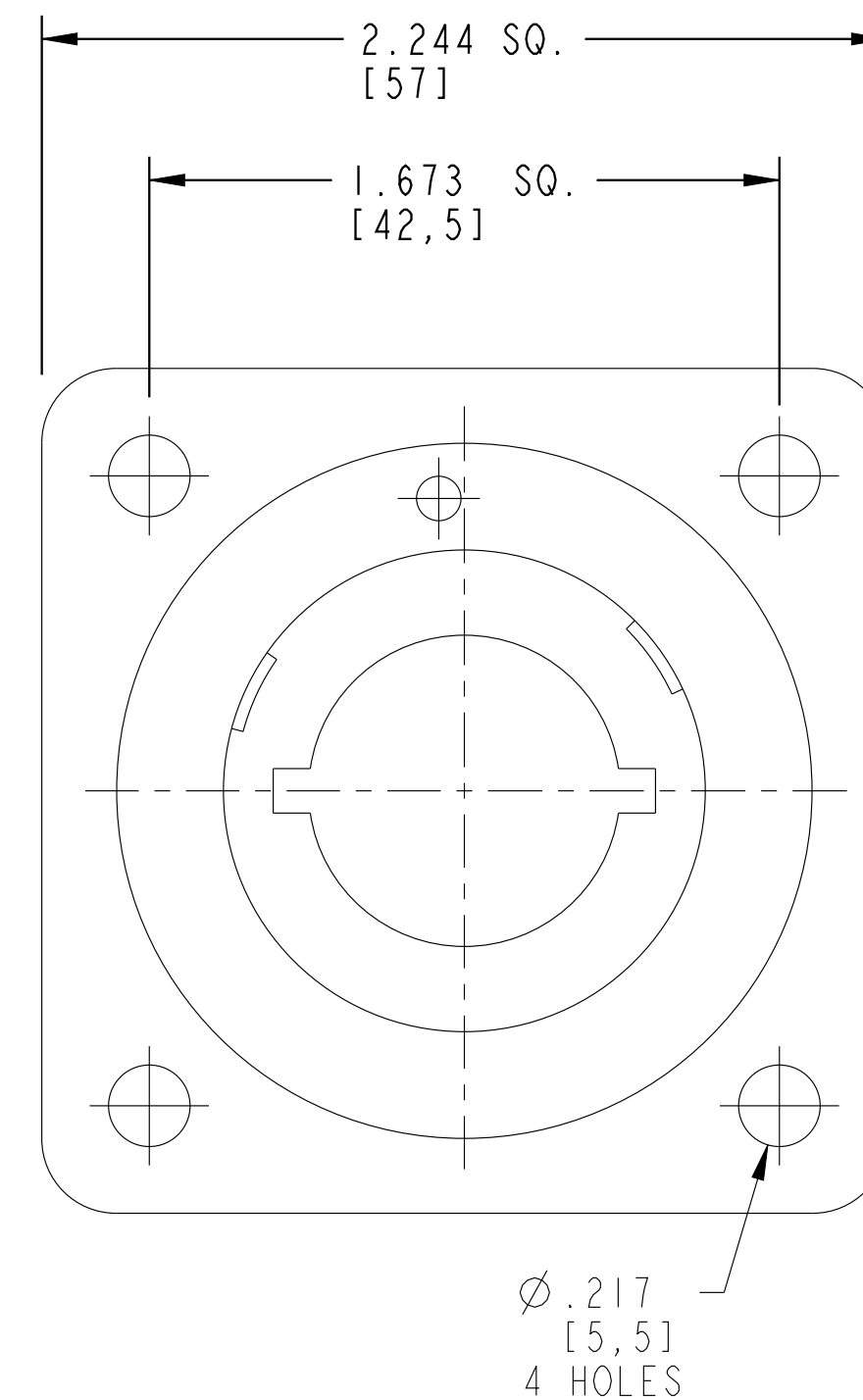
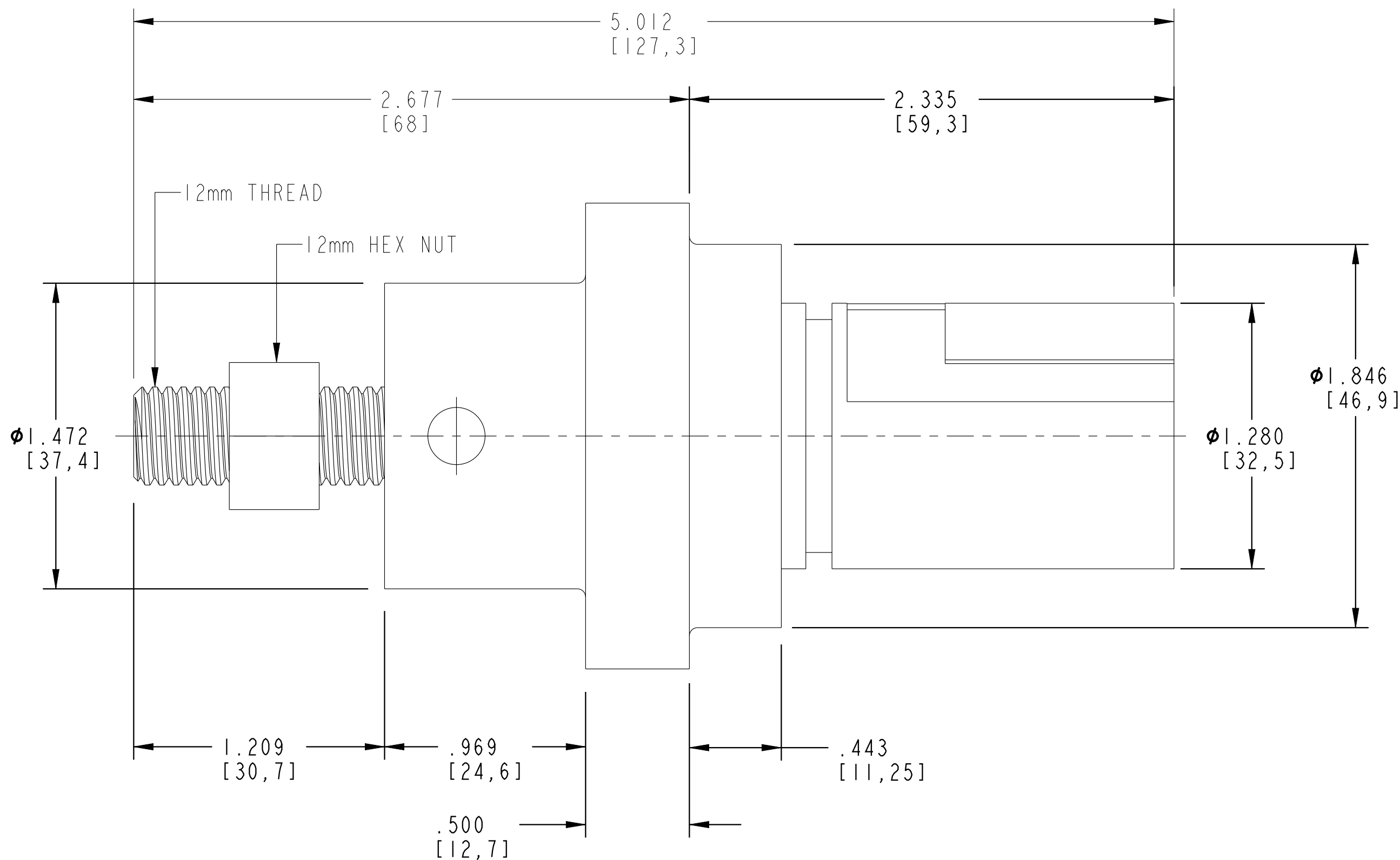
SHEET 1 OF 1

REV. A

C

B

A



D

C

REV. A

SHEET 1 OF 1

PANEL-DRAIN-SLS

NOTES:

THIS DOCUMENT CONTAINS PROPRIETARY INFORMATION AND SUCH INFORMATION MAY NOT BE DISCLOSED TO OTHERS FOR ANY PURPOSE OR USED FOR MANUFACTURING PURPOSES WITHOUT WRITTEN PERMISSION FROM THE AMPHENOL CORP.

N/A  
NEXT ASSEMBLY

PRO/ENGINEER INFORMATION  
Pro/e Model Used:  
PANEL-SOURCE.PART  
Drawing Name:  
PANEL-DRAIN-SLS

UNLESS OTHERWISE SPECIFIED		SPECIFICATIONS		POS	QTY	PART NUMBER	DESCRIPTION	NOTE
LINEAR DIMENSIONS ARE IN INCHES TOLERANCES: .XXXX = ±.0005 ANGLES= ±2° .XXX = ±.010 .XX = ±.03 .X = ±.1		MATERIAL SPEC.		APPROVALS		DATE	PARTS LIST	
DIM. & TOL. PER ASME Y14.5M; DRM PER MIL-STD-31000; OTHER Amphenol Stds. PER 9-3800		PROCESS SPEC.		THIRD ANGLE PROJECTION		26-Aug-20	AMPHENOL CORPORATION 40-60 DELAWARE AVENUE SIDNEY, N.Y. 13858	
LEGENDS: =FLAG NOTE CALL OUT REFERENCE ONLY		---		---		C3	PANEL-DRAIN AMPHE-PHASE SALES DRAWING	
---		---		---		C	CAGE CODE 77820	DOCUMENT NO. PANEL-DRAIN-SLS
---		---		---		SCALE: 2.0		REV. A
---		---		---		REF.		SHEET 1 OF 1

FORMAT: C-L-E-Rev-B

PANEL-DRAIN-SLS

SHEET 1 OF 1

REV. A

# Mouser Electronics

Authorized Distributor

Click to View Pricing, Inventory, Delivery & Lifecycle Information:

## Amphenol:

[APSPD-1-BK-T5-UL](#) [APSPD-1-BN-T5](#) [APSPD-2-BK-T5](#) [APSPD-2-R-T5-UL](#) [APSPD-3-BL-T5-UL](#) [APSPD-3-GY-T5](#)  
[APSPD-E-GN-T5](#) [APSPD-E-GN-T5-UL](#) [APSPD-N-BL-T5](#) [APSPD-N-W-T5-UL](#)