

REV. A	SHEET 1 OF 1	DOCUMENT NO. LINE-DRAIN-SLS
REVISIONS		
LTR	DESCRIPTION	DATE
A	INITIAL RELEASE	08/26/2020

LINE-DRAIN-SLS

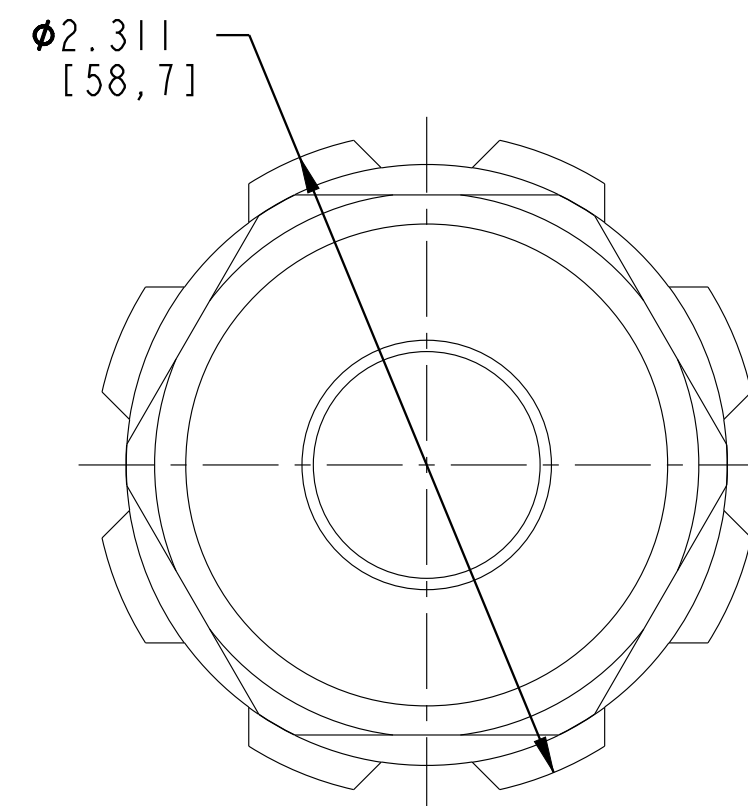
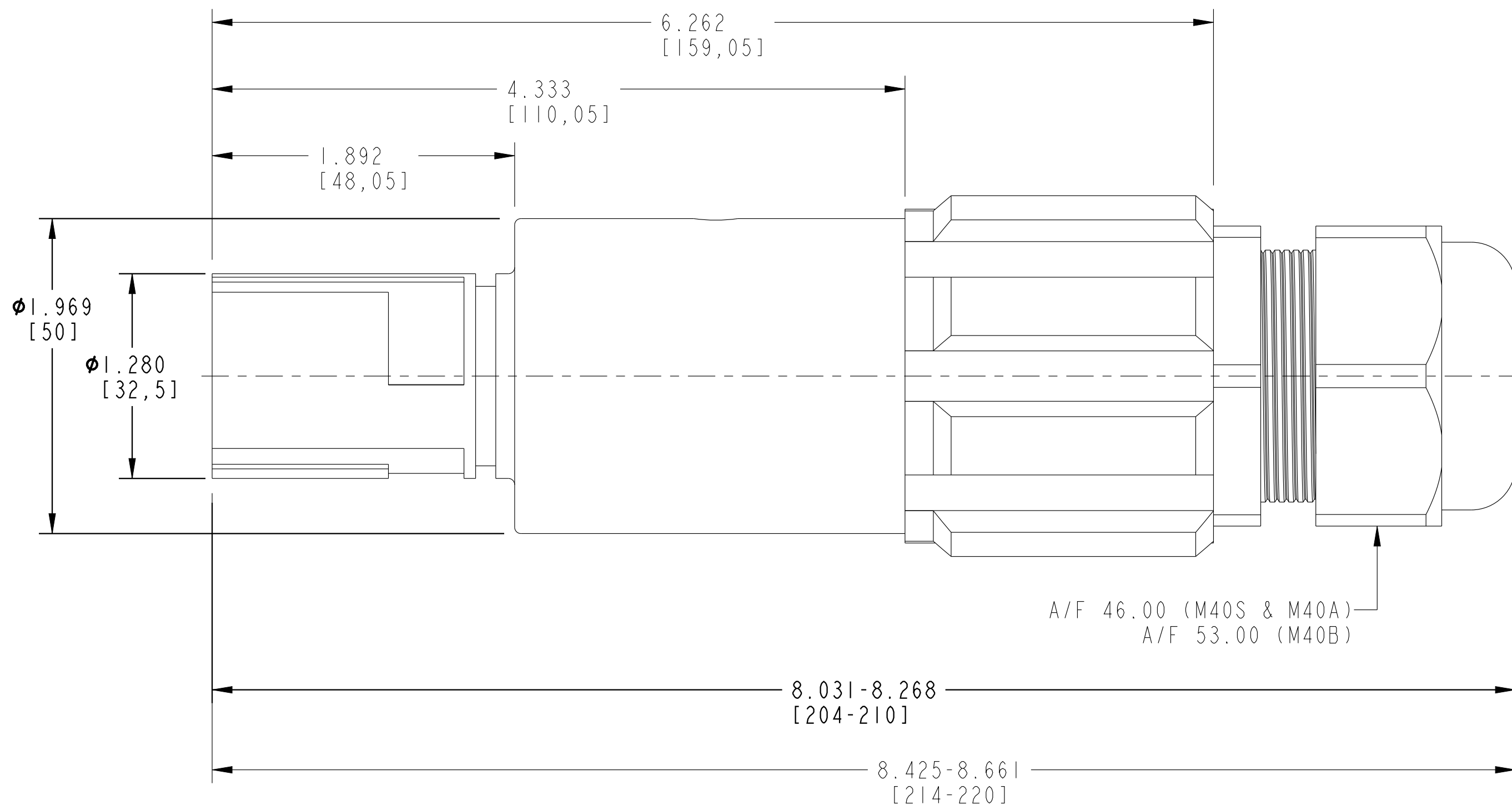
SHEET 1 OF 1

REV. A

C

B

A



NOTES:

THIS DOCUMENT CONTAINS PROPRIETARY INFORMATION AND SUCH INFORMATION MAY NOT BE DISCLOSED TO OTHERS FOR ANY PURPOSE OR USED FOR MANUFACTURING PURPOSES WITHOUT WRITTEN PERMISSION FROM THE AMPHENOL CORP.

N/A  
NEXT ASSEMBLY

PRO/ENGINEER INFORMATION  
Pro/e Model Used:  
PANEL-SOURCE.PART  
Drawing Name:  
LINE-DRAIN-SLS

UNLESS OTHERWISE SPECIFIED	SPECIFICATIONS	POS	QTY	PART NUMBER	DESCRIPTION	NOTE
LINEAR DIMENSIONS ARE IN INCHES TOLERANCES: .XXXX = ±.0005 ANGLES= ±2° .XXX = ±.010 .XX = ±.03 .X = ±.1 ----- DIM. & TOL. PER ASME Y14.5M; DRM PER MIL-STD-31000; OTHER Amphenol Stds. PER 9-3800 LEGENDS: =FLAG NOTE CALL OUT REFERENCE ONLY	MATERIAL SPEC.	APPROVALS		DATE	PARTS LIST	
	PROCESS SPEC.	PREPARED BY A. PEREZ ENGINEER IN CHARGE R. ARCZYKIEWICZ DESIGN MANAGER R. ARCZYKIEWICZ DESIGN ACTIVITY GROUP C3		26-Aug-20	<b>AMPHENOL CORPORATION</b> 40-60 DELAWARE AVENUE SIDNEY, N.Y. 13858 <b>LINE-DRAIN AMPHE-PHASE SALES DRAWING</b>	
		THIRD ANGLE PROJECTION			SIZE	CAGE CODE
					C	77820
					DOCUMENT NO.	REV.
					LINE-DRAIN-SLS	A
					SCALE: 2.0	SHEET 1 OF 1

FORMAT: C-L-E-Rev-B

DOCUMENT NO. LINE-DRAIN-SLS

SHEET 1 OF 1

REV. A

REV. A

SHEET 1 OF 1

LINE-DRAIN-SLS

A

# Mouser Electronics

Authorized Distributor

Click to View Pricing, Inventory, Delivery & Lifecycle Information:

## Amphenol:

[APSLD-1-BK-S120-M40A-UL](#) [APSLD-1-BN-S120-M40A](#) [APSLD-2-BK-S120-M40A](#) [APSLD-2-R-S120-M40A-UL](#)  
[APSLD-3-BL-S120-M40A-UL](#) [APSLD-3-GY-S120-M40A](#) [APSLD-E-GN-S120-M40A](#) [APSLD-E-GN-S120-M40A-UL](#)  
[APSLD-N-BL-S120-M40A](#) [APSLD-N-W-S120-M40A-UL](#)