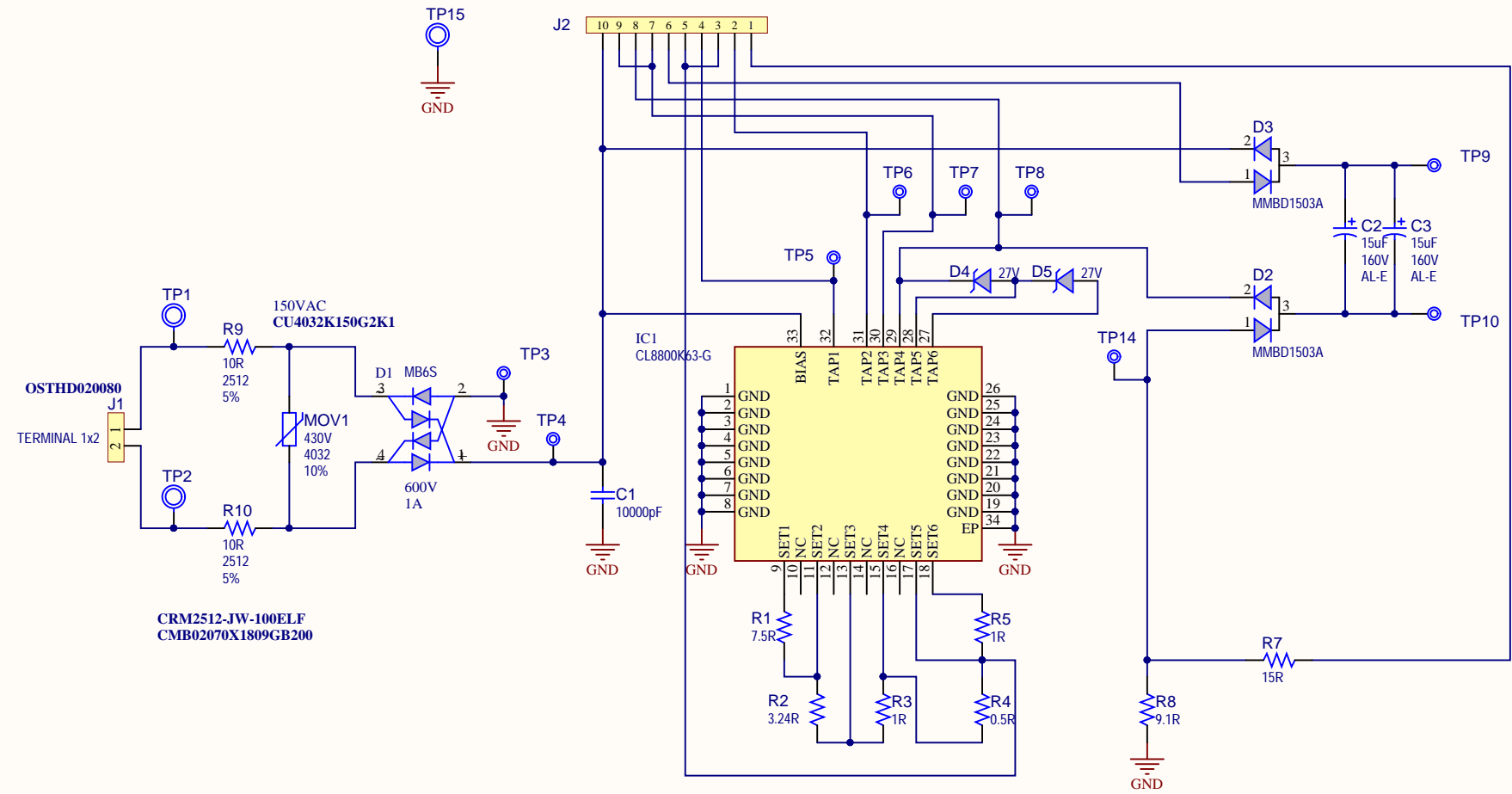


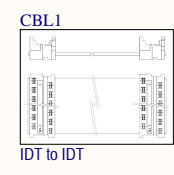
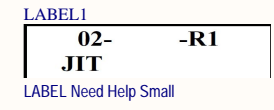
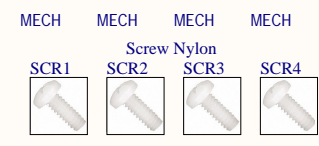
REV	ECO#	DESCRIPTION	DATE



Drawn By: Sergiu Gheorghe		
Engineer: Sergiu Gheorghe		
PartNumber: ADM00866	Project Title CL8800 230VAC LED Driver	
Sheet Title CL8800 230VAC LED Driver Electrical Diagram		
Size B	Sch #03-10716	Date: 5/3/2018 5:02:32 PM
	Revision:1	Sheet 1 of 2
File: D01-CL8800 230VAC Schematic_R1.SchDoc		

Designed with
Altium
Altium.com

REV	ECO#	DESCRIPTION	DATE



Drawn By: Sergiu Gheorghe	
Engineer: Sergiu Gheorghe	
PartNumber: ADM00866	Project Title CL8800 230VAC LED Driver
Sheet Title Mechanical	<i>Designed with</i>
Size B	Sch #03-10716 Revision:1
	Date: 5/3/2018 5:02:33 PM Sheet 2 of 2
File: Mechanical.SchDoc	

Mouser Electronics

Authorized Distributor

Click to View Pricing, Inventory, Delivery & Lifecycle Information:

[Microchip:](#)

[ADM00866](#)