

## FEATURES

- 64× decimation of a stereo pulse density modulation (PDM) bit stream to pulse code modulation (PCM) audio data**
- Slave I<sup>2</sup>S or time division multiplexed (TDM) output interface**
- Configurable TDM slots**
- I/O supply operation: 1.62 V to 3.6 V**
- 64× output sample rate PDM clock**
- 64×/128×/192×/256×/384×/512× output sample rate BCLK**
- Automatic BCLK ratio detection**
- Output sample rate: 4 kHz to 96 kHz**
- Automatic PDM CLK drive at 64× the sample rate**
- Automatic power down with BCLK removal**
- 0.67 mA operating current at 48 kHz and 1.8 V IOVDD supply**
- Shutdown current: <1 μA**
- 8-ball, 1.56 mm × 0.76 mm, 0.4 mm pitch WLCSP**
- Power-on reset**

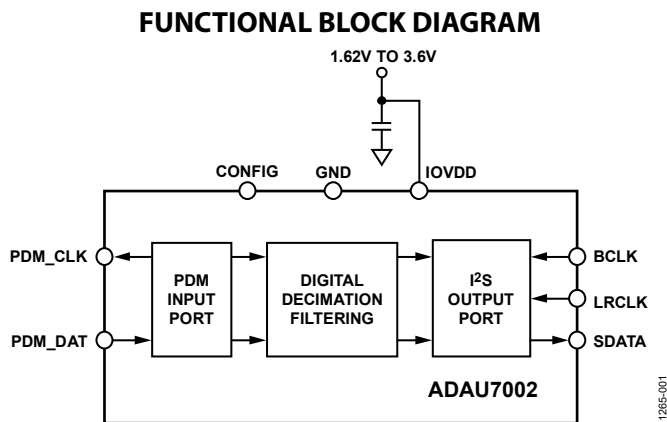
## APPLICATIONS

- Mobile computing
- Portable electronics
- Consumer electronics

## GENERAL DESCRIPTION

The [ADAU7002](#) converts a stereo PDM bit stream into a PCM output. The source for the PDM data can be two microphones or other PDM sources. The PCM audio data is output on a serial audio interface port in either I<sup>2</sup>S or TDM format.

The [ADAU7002](#) is specified over the commercial temperature range (−40°C to +85°C). It is available in a halide-free, 8-ball, 1.56 mm × 0.76 mm, wafer level chip scale package (WLCSP).



Rev. C

### Document Feedback

Information furnished by Analog Devices is believed to be accurate and reliable. However, no responsibility is assumed by Analog Devices for its use, nor for any infringements of patents or other rights of third parties that may result from its use. Specifications subject to change without notice. No license is granted by implication or otherwise under any patent or patent rights of Analog Devices. Trademarks and registered trademarks are the property of their respective owners.

**TABLE OF CONTENTS**

Features .....	1	Pin Configuration and Function Descriptions.....	5
Applications.....	1	Typical Performance Characteristics .....	6
General Description .....	1	Typical Application Circuit .....	8
Functional Block Diagram .....	1	Applications Information .....	9
Revision History .....	2	Overview .....	9
Specifications.....	3	Clocking.....	9
Absolute Maximum Ratings.....	4	Serial Audio Output Interface .....	9
Thermal Resistance .....	4	Outline Dimensions .....	13
ESD Caution.....	4	Ordering Guide .....	13

**REVISION HISTORY**

**11/2019—Rev. B to Rev. C**

Changes to Figure 12.....	9
---------------------------	---

**11/2016—Rev. A to Rev. B**

Change to Serial Port Timing Section and Time From BCLK Falling Parameter; Table 7 .....	10
Changes to Figure 19 Caption and Figure 21 Caption .....	12

**7/2013—Rev. 0 to Rev. A**

Changes to Supply Current Test Conditions/Comments .....	3
Changes to Figure 5.....	6
Added Figure 6; Renumbered Sequentially .....	6
Changes to Figure 14 and Figure 15 .....	10
Changes to Figure 16, Figure 17, and Figure 18.....	11
Changes to Figure 19, Figure 20, and Figure 21 .....	12

**1/2013—Revision 0: Initial Version**

## SPECIFICATIONS

IOVDD = 1.8 V, T<sub>A</sub> = 25°C, BCLK = 3.072 MHz, output = 48 kHz, I<sup>2</sup>S format, unless otherwise noted.

Table 1.

Parameter	Test Conditions/Comments	Min	Typ	Max	Unit
<b>DIGITAL INPUT/OUTPUT</b>					
High Level Input Voltage (V <sub>IH</sub> )			0.7 × IOVDD		V
Low Level Input Voltage (V <sub>IL</sub> )			0.3 × IOVDD		V
Input Leakage, High (I <sub>IH</sub> )	BCLK and LRCLK pins			1	μA
Input Leakage, Low (I <sub>IL</sub> )	BCLK and LRCLK pins			1	μA
Input Capacitance				5	pF
SDATA			4.5		mA
PDM_CLK			9		mA
<b>PERFORMANCE</b>					
Dynamic Range	20 Hz to 20 kHz, –60 dB input				
With A-Weighted Filter (RMS)			110		dB
Signal-to-Noise-Ratio	A-weighted, fourth-order input		110		dB
Decimation Ratio			64×		
Frequency Response	DC to 0.45 output f <sub>s</sub>	–0.1		+0.01	dB
Stop Band			0.566		f <sub>s</sub>
Stop-Band Attenuation		60			dB
Group Delay	0.02 f <sub>s</sub> input signal		3.31		LRCLK cycles
Gain	PDM to PCM		0		dB
Start-Up Time			48		LRCLK cycles
Bit Width	Internal and output		20		Bits
Interchannel Phase			0		Degrees
<b>CLOCKING</b>					
Output Sampling Rate	f <sub>s</sub> LRCLK pulse rate	4	48	96	kHz
BCLK Frequency	f <sub>BCLK</sub>	0.256	3.072	24.576	MHz
<b>POWER SUPPLIES</b>					
Supply Voltage Range	IOVDD	1.62		3.6	V
Supply Current	IOVDD = 1.8 V		0.67		mA
	IOVDD = 3.3 V		1.33		mA
	IOVDD = 1.8 V, 16 kHz output		0.21		mA
	IOVDD = 3.3 V, 16 kHz output		0.41		mA
Shutdown Current	IOVDD <sub>SD</sub> , no input clocks		1		μA

## ABSOLUTE MAXIMUM RATINGS

Absolute maximum ratings apply at 25°C, unless otherwise noted.

Table 2.

Parameter	Rating
IOVDD Supply Voltage	3.6 V
Input Voltage	3.6 V
ESD Susceptibility	4 kV
Storage Temperature Range	−65°C to +150°C
Operating Temperature Range	−40°C to +85°C
Junction Temperature Range	−65°C to +165°C
Lead Temperature (Soldering, 60 sec)	300°C

Stresses at or above those listed under Absolute Maximum Ratings may cause permanent damage to the product. This is a stress rating only; functional operation of the product at these or any other conditions above those indicated in the operational section of this specification is not implied. Operation beyond the maximum operating conditions for extended periods may affect product reliability.

## THERMAL RESISTANCE

$\theta_{JA}$  (junction to air) is specified for the worst-case conditions, that is, a device soldered in a circuit board for surface-mount packages.  $\theta_{JA}$  is determined according to JESD51-9 on a 4-layer printed circuit board (PCB) with natural convection cooling.

Table 3. Thermal Resistance

Package Type	$\theta_{JA}$	Unit
8-ball, 1.56 mm × 0.76 mm WLCSP	90	°C/W

## ESD CAUTION



**ESD (electrostatic discharge) sensitive device.** Charged devices and circuit boards can discharge without detection. Although this product features patented or proprietary protection circuitry, damage may occur on devices subjected to high energy ESD. Therefore, proper ESD precautions should be taken to avoid performance degradation or loss of functionality.

## PIN CONFIGURATION AND FUNCTION DESCRIPTIONS

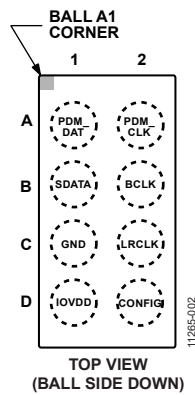


Figure 2. Pin Configuration (Top Side View)

Table 4. Pin Function Descriptions

Pin No.	Mnemonic	Type	Description
A1	PDM_DAT	Input	PDM Data Input
A2	PDM_CLK	Output	PDM Clock Output
B1	SDATA	Output	Serial Data Output for I <sup>2</sup> S/TDM
B2	BCLK	Input	Bit Clock for I <sup>2</sup> S/TDM
C1	GND	Ground	Ground
C2	LRCLK	Input	Left/Right Clock for I <sup>2</sup> S/Frame Sync for TDM
D1	IOVDD	Supply	Input/Output and Digital Supply
D2	CONFIG	Input	Configuration Pin

TYPICAL PERFORMANCE CHARACTERISTICS

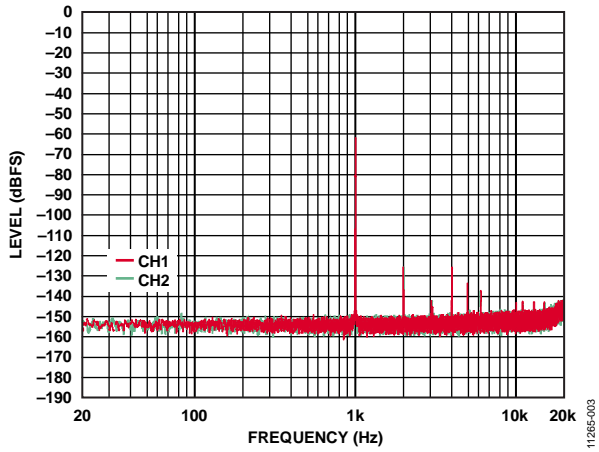


Figure 3. FFT,  $f_s = 48$  kHz,  $-60$  dBFS Input

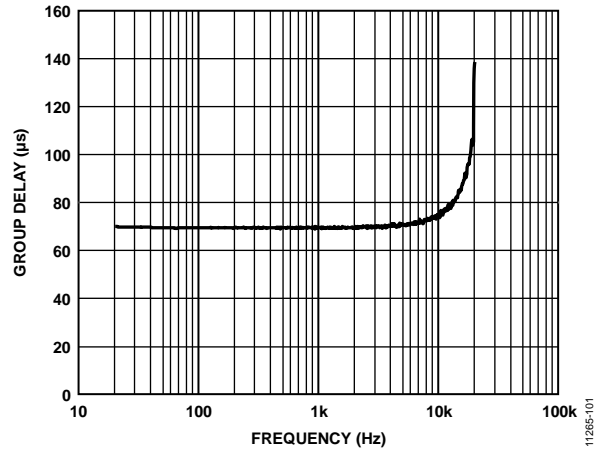


Figure 6. Group Delay vs. Frequency,  $f_s = 48$  kHz

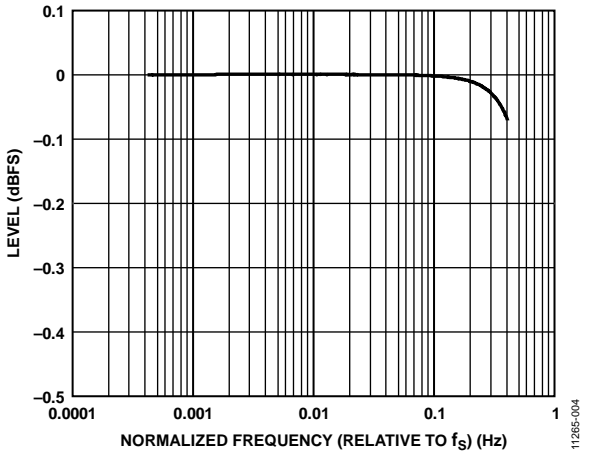


Figure 4. Frequency Response

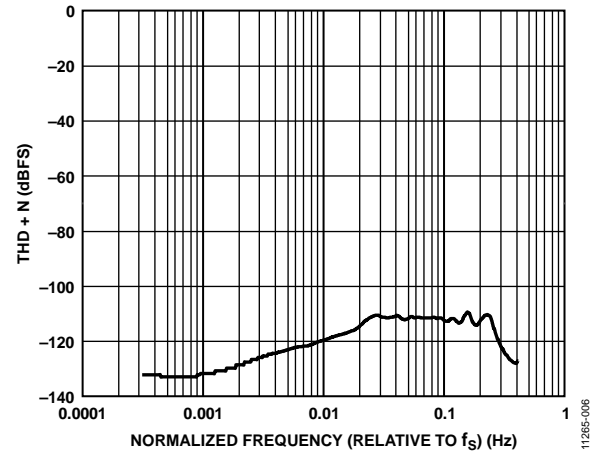


Figure 7. Total Harmonic Distortion + Noise (THD + N) vs. Normalized Frequency (Relative to  $f_s$ )

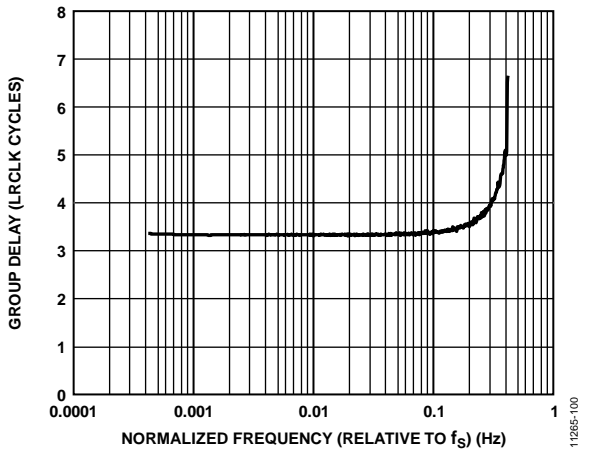


Figure 5. Group Delay vs. Normalized Frequency (Relative to  $f_s$ )

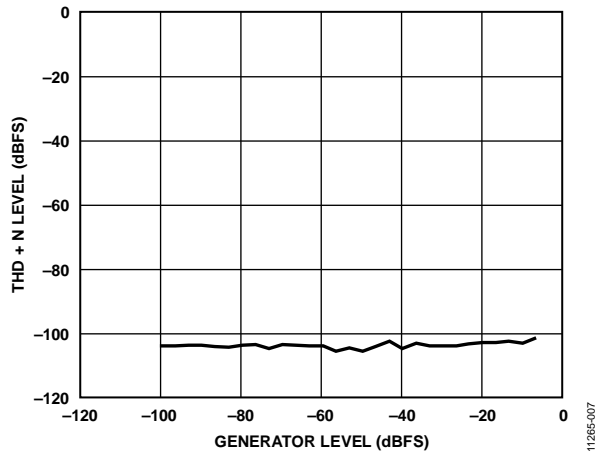


Figure 8. THD + N Level vs. Generator Level

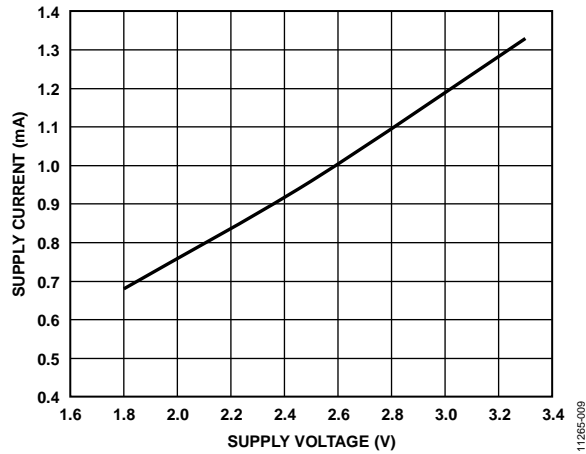


Figure 9. Supply Current vs. Supply Voltage

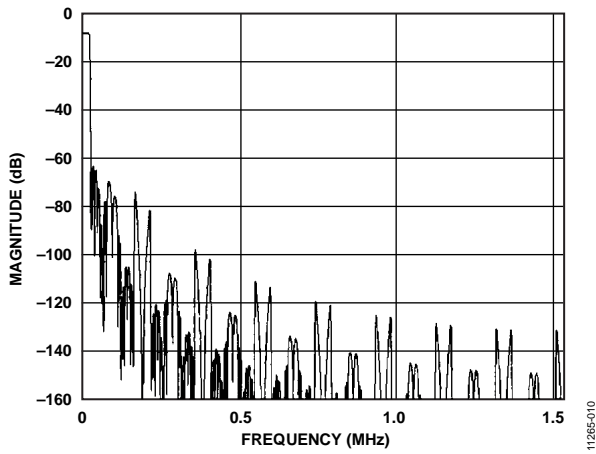


Figure 10. Out-of-Band Frequency Response (48 kHz Output)

### TYPICAL APPLICATION CIRCUIT

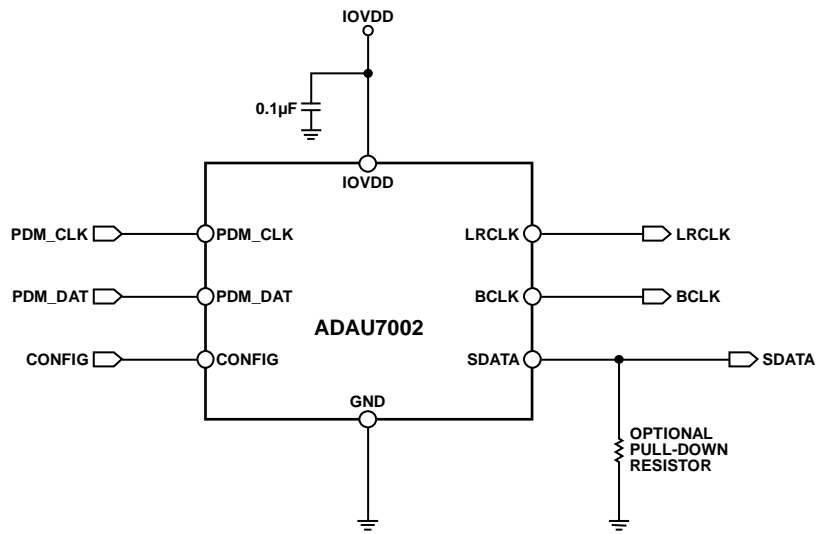


Figure 11. Typical Application Circuit

11285-011



## APPLICATIONS INFORMATION

### OVERVIEW

The [ADAU7002](#) provides stereo decimation from a 1-bit PDM source to a 20-bit PCM audio. The downsampling ratio is fixed at 64×. The 20-bit downsampled PCM audio is output via standard I<sup>2</sup>S or TDM formats.

The input source for the [ADAU7002](#) can be any device that has a PDM output, such as a digital microphone. The output pins of these microphones can connect directly to the input pins of the [ADAU7002](#).

### CLOCKING

The [ADAU7002](#) requires a BCLK rate that is a minimum of 64× the LRCLK sample rate. BCLK rates of 128×, 192×, 256×, 384×, and 512× the LRCLK rate are also supported. The [ADAU7002](#) automatically detects the ratio between BCLK and LRCLK and generates a PDM clock output at 64× the LRCLK rate. The minimum sample rate is 4 kHz, and the maximum is 96 kHz, which correspond to a PDM clock range of 256 kHz to 6.144 MHz. Internally, all processing is done at the PDM\_CLK rate.

When BCLK is removed, the [ADAU7002](#) powers down automatically. When BCLK is not present, the PDM\_CLK output stops.

**Table 5. PDM Timing Parameters**

Parameter	t <sub>MIN</sub>	t <sub>MAX</sub>	Unit
Data Setup Time, t <sub>SETUP</sub>	10		ns
Data Hold Time, t <sub>HOLD</sub>	7		ns

PDM data is latched on both edges of the clock.

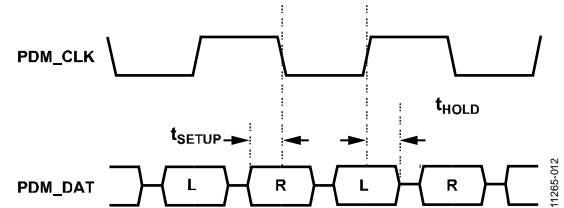


Figure 12. PDM Timing Diagram

### SERIAL AUDIO OUTPUT INTERFACE

The [ADAU7002](#) supports I<sup>2</sup>S and TDM serial output formats. Format selection and TDM slot placement is set with the CONFIG pin. The SDATA pin is in tristate mode, except when the port is driving serial data based on the CONFIG pin configuration.

**Table 6. TDM Slot Selection**

Device Setting	CONFIG Pin Configuration
I <sup>2</sup> S Format	Tie to IOVDD
TDM Slot 1 to Slot 2 Used/Driven, 32-Bit Slots	Tie to GND
TDM Slot 3 to Slot 4 Used/Driven, 32-Bit Slots	Open
TDM Slot 5 to Slot 6 Used/Driven, 32-Bit Slots	Tie to IOVDD through a 47 kΩ resistor
TDM Slot 7 to Slot 8 Used/Driven, 32-Bit Slots	Tie to GND through a 47 kΩ resistor

Serial Port Timing

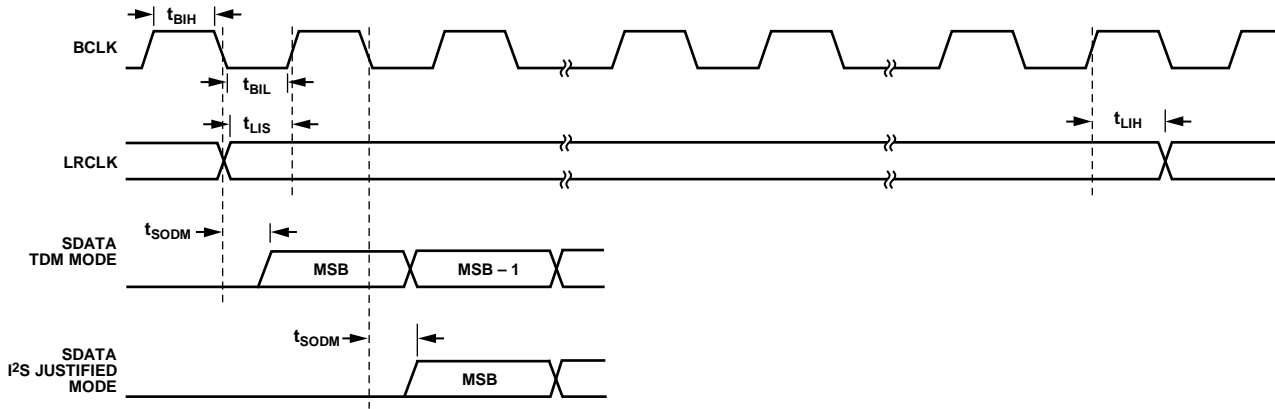


Figure 13. Serial Port Timing Diagram

11285-013

IOVDD = 1.62 V to 3.63 V, load capacitance = 25 pF, unless otherwise noted.

Table 7. I²S/TDM Timing Parameters

Parameter	Symbol	t <sub>MIN</sub>	t <sub>MAX</sub>	Unit
BCLK Pulse Width High	t <sub>BIH</sub>	10		ns
BCLK Pulse Width Low	t <sub>BIL</sub>	10		ns
LRCLK Setup Time	t <sub>LIS</sub>	10		ns
LRCLK Hold Time	t <sub>LIH</sub>	10		ns
Time from BCLK Falling	t <sub>SODM</sub>		18	ns

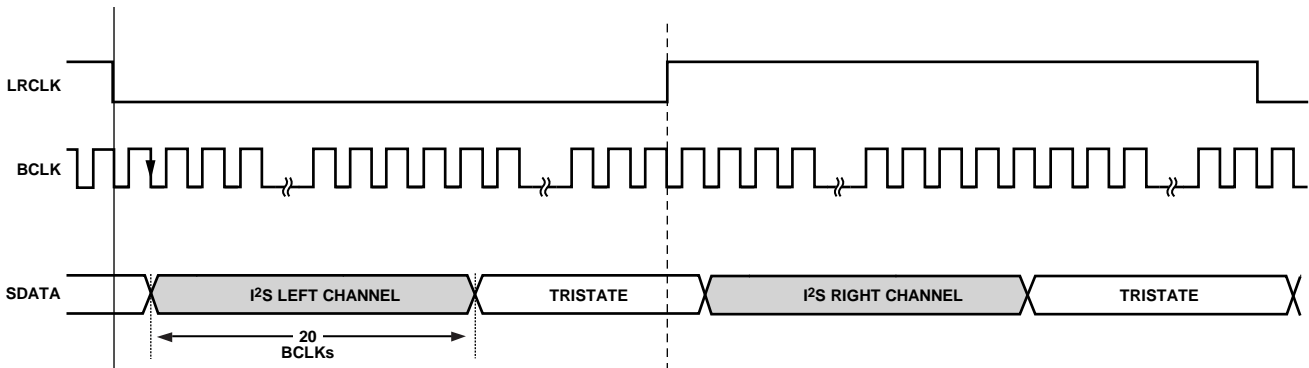


Figure 14. I²S, CONFIG Pin Tied to IOVDD

11285-014

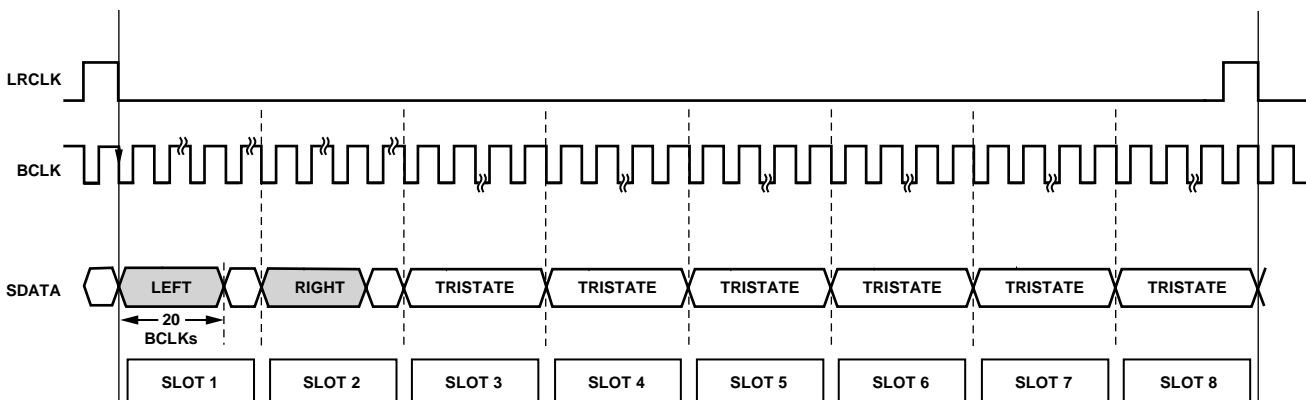
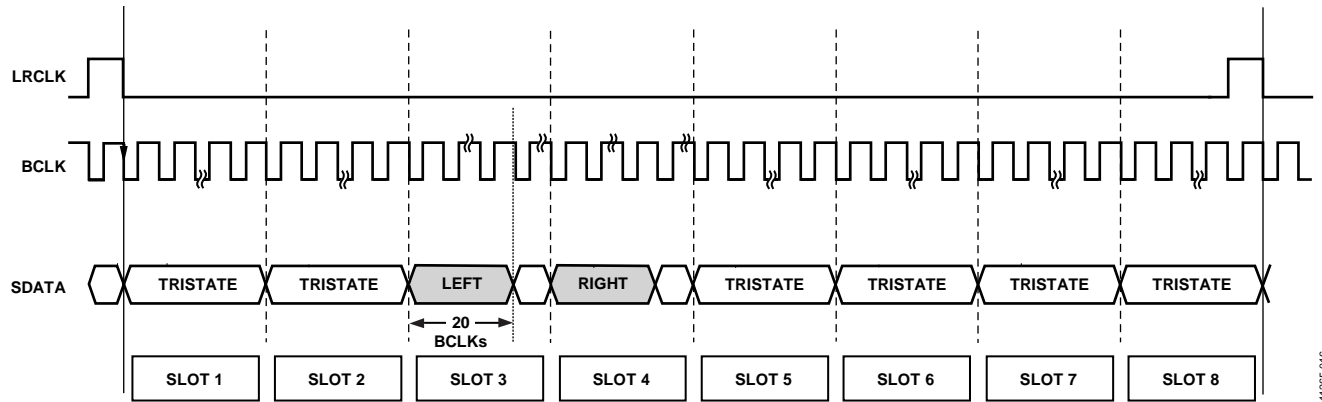


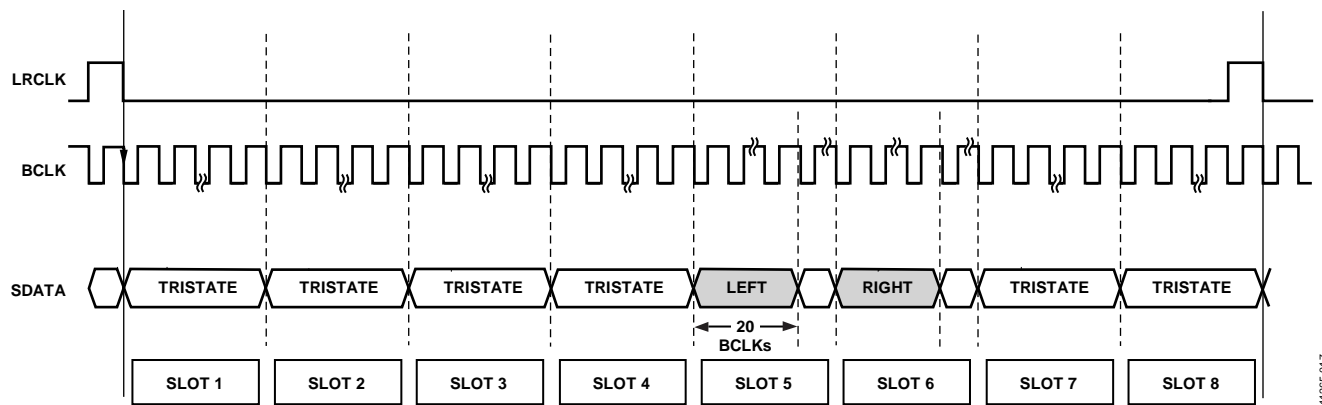
Figure 15. TDM8 Channel 1 and Channel 2, CONFIG Pin Tied to GND

11285-015



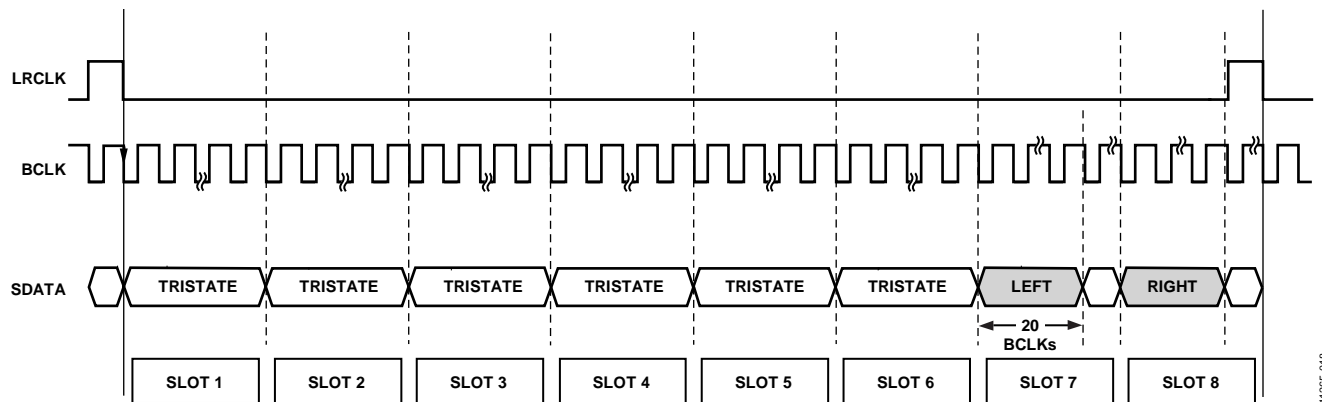
11265-016

Figure 16. TDM8 Channel 3 and Channel 4, CONFIG Pin Open



11265-017

Figure 17. TDM8 Channel 5 to Channel 6, CONFIG Pin Tied to IOVDD Through a 47 kΩ Resistor



11265-018

Figure 18. TDM8 Channel 7 and Channel 8, CONFIG Pin Tied to GND Through a 47 kΩ Resistor

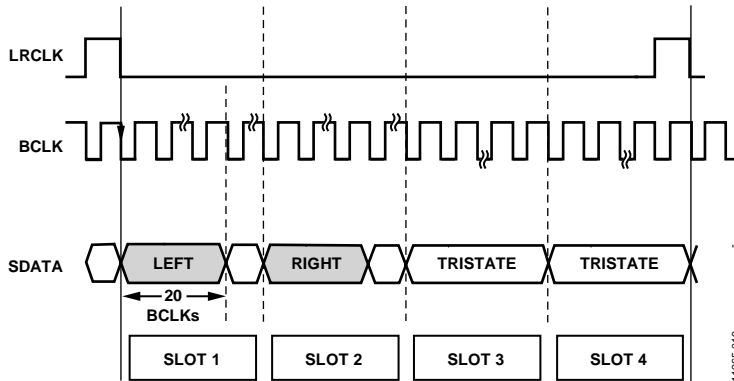


Figure 19. TDM4 Channel 1 and Channel 2, CONFIG Pin Tied to GND

11265-019

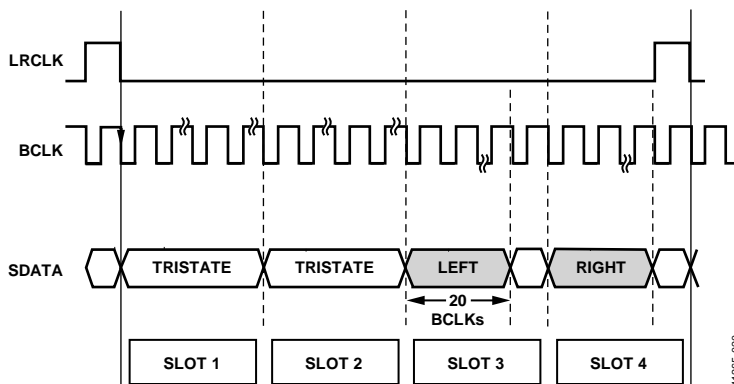


Figure 20. TDM4 Channel 3 and Channel 4, CONFIG Pin Open

11265-020

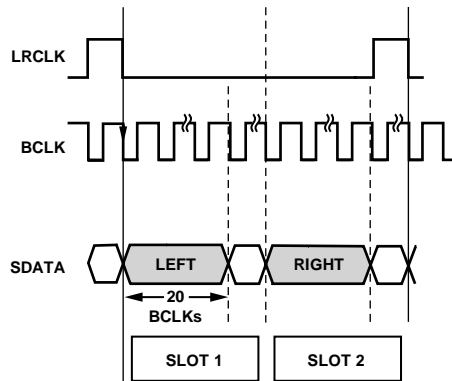


Figure 21. TDM2 Channel 1 and Channel 2, CONFIG Pin Tied to GND

11265-021

### OUTLINE DIMENSIONS

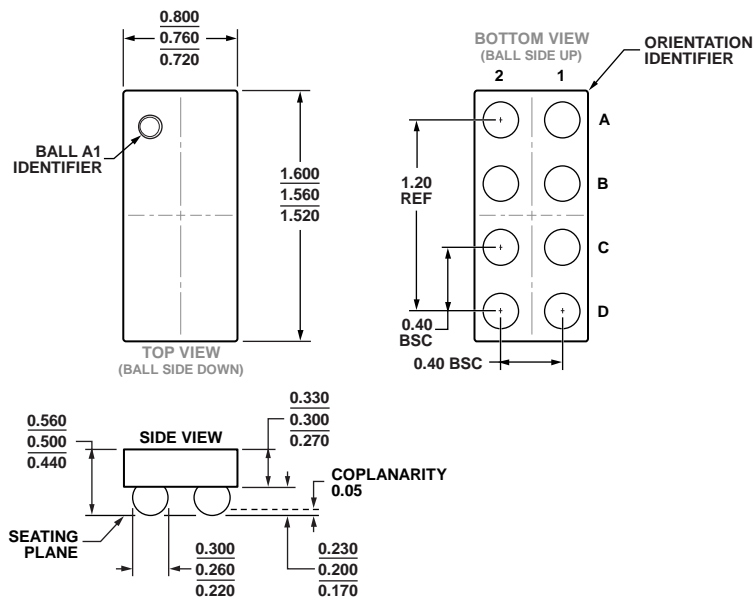


Figure 22. 8-Ball Wafer Level Chip Scale Package [WLCSP] (CB-8-6)  
Dimensions shown in millimeters

10-18-2016-A

### ORDERING GUIDE

Model <sup>1</sup>	Temperature Range	Package Description	Package Option	Marking Code
ADAU7002ACBZ-R7	-40°C to +85°C	8-Ball Wafer Level Chip Scale Package [WLCSP], 7" Tape and Reel	CB-8-6	BE
ADAU7002ACBZ-RL	-40°C to +85°C	8-Ball Wafer Level Chip Scale Package [WLCSP], 13" Tape and Reel	CB-8-6	BE
EVAL-ADAU7002Z		Evaluation Board		

<sup>1</sup> Z = RoHS Compliant Part.

**NOTES**

**NOTES**

**NOTES**



# Mouser Electronics

Authorized Distributor

Click to View Pricing, Inventory, Delivery & Lifecycle Information:

[Analog Devices Inc.:](#)

[EVAL-ADAU7002Z](#) [ADAU7002ACBZ-R7](#) [ADAU7002ACBZ-RL](#)