

I²C EERAM PICtail™ Plus Daughter Board with mikroBUS™ Connector Information Sheet

Americas

Atlanta, GA - 678-957-9614
Austin, TX - 512-257-3370
Boston, MA - 774-760-0087
Chicago, IL - 630-285-0071
Cleveland, OH - 216-447-0464
Dallas, TX - 972-818-7423
Detroit, MI - 248-848-4000
Houston, TX - 281-894-5983
Indianapolis, IN - 317-773-8323
Los Angeles, CA - 949-462-9523
New York, NY - 631-435-6000
Phoenix - 480-792-7200
San Jose, CA - 408-735-9110
Canada - Toronto - 905-695-1980

Europe

Austria - Wels - 43-7242-2244-39
Denmark - Copenhagen - 45-4450-2828
France - Paris - 33-1-69-53-63-20
Germany - Dusseldorf - 49-2129-3766400
Germany - Karlsruhe - 49-721-625370
Germany - Munich - 49-89-627-144-0
Italy - Milan - 39-0331-742611
Italy - Venice - 39-049-7625286
Netherlands - Drunen - 31-416-690399
Poland - Warsaw - 48-22-3325737
Spain - Madrid - 34-91-708-08-90
Sweden - Stockholm - 46-8-5090-4654
UK - Wokingham - 44-118-921-5800

Asia/Pacific

Hong Kong - 852-2943-5100
Australia - Sydney - 61-2-9868-6733
China - Beijing - 86-10-8569-7000
China - Chengdu - 86-28-8665-5511
China - Chongqing - 86-23-8980-9588
China - Dongguan - 86-769-8702-9880
China - Guangzhou - 86-20-8755-8029
China - Hangzhou - 86-571-8792-8115
China - Hong Kong SAR - 852-2943-5100
China - Nanjing - 86-25-8473-2460
China - Qingdao - 86-532-8502-7355
China - Shanghai - 86-21-5407-5533
China - Shenyang - 86-24-2334-2829
China - Shenzhen - 86-755-8864-2200
China - Wuhan - 86-27-5980-5300
China - Xiamen - 86-592-2388138
China - Xian - 86-29-8833-7252
China - Zhuhai - 86-756-3210040
India - Bangalore - 91-80-3090-4444
India - New Delhi - 91-11-4160-8631
India - Pune - 91-20-3019-1500
Korea - Daegu - 82-53-744-4301
Korea - Seoul - 82-2-554-7200
Malaysia - Kuala Lumpur - 60-3-6201-9857
Malaysia - Penang - 60-4-227-8870
Philippines - Manila - 63-2-634-9065
Singapore - 65-6334-8870
Taiwan - Hsin Chu - 886-3-5778-366
Taiwan - Kaohsiung - 886-7-213-7828
Taiwan - Taipei - 886-2-2508-8600
Thailand - Bangkok - 66-2-694-1351

06/23/16

Overview

The Microchip Technology Inc. 47XXX series of EERAM devices are Serial SRAM with a matching EEPROM backup array. The 47XXX provides infinite read and write cycles to the SRAM while the EEPROM cells provide high-endurance, nonvolatile storage of data. The I²C PICtail Plus daughter board is an evaluation board based around the 47C04 and 47L16 I²C EERAM devices. The board is designed to interface with the Explorer series of development boards, and also with any mikroBUS™ compatible boards.

Key Features of the Board

- 4 Kbit and 16 Kbit I²C Serial EERAM
- Follows the published recommended capacitor selection for the EERAM device
- Test points with probe loops for SCL, SDA, Vcc and GND
- On-board pull-ups for I²C bus operation
- SMD jumper options for 3.3V and 5V operation
- On-board RC filter ensures Vcc ramp rate adheres to data sheet requirements
- 0.1" two-way jumper for VCAP/VCC operation
- PICtail™ Plus and mikroBUS™ connectors

Getting Started

The EERAM PICtail Plus daughter board allows you to get started right out of the box. By using the daughter board and one of the microcontroller development boards that support the PICtail Plus series of connectors, system firmware can be developed quickly using known good hardware.

All of the application notes written for the EERAM family are designed around the EERAM PICtail Plus daughter board. The installed capacitor provides the rated necessary charge for correct AutoStore operation.

Additional Information

For additional information please visit www.microchip.com/EERAM.



Microchip Technology Inc. • 2355 West Chandler Blvd. • Chandler, AZ 85224-6199

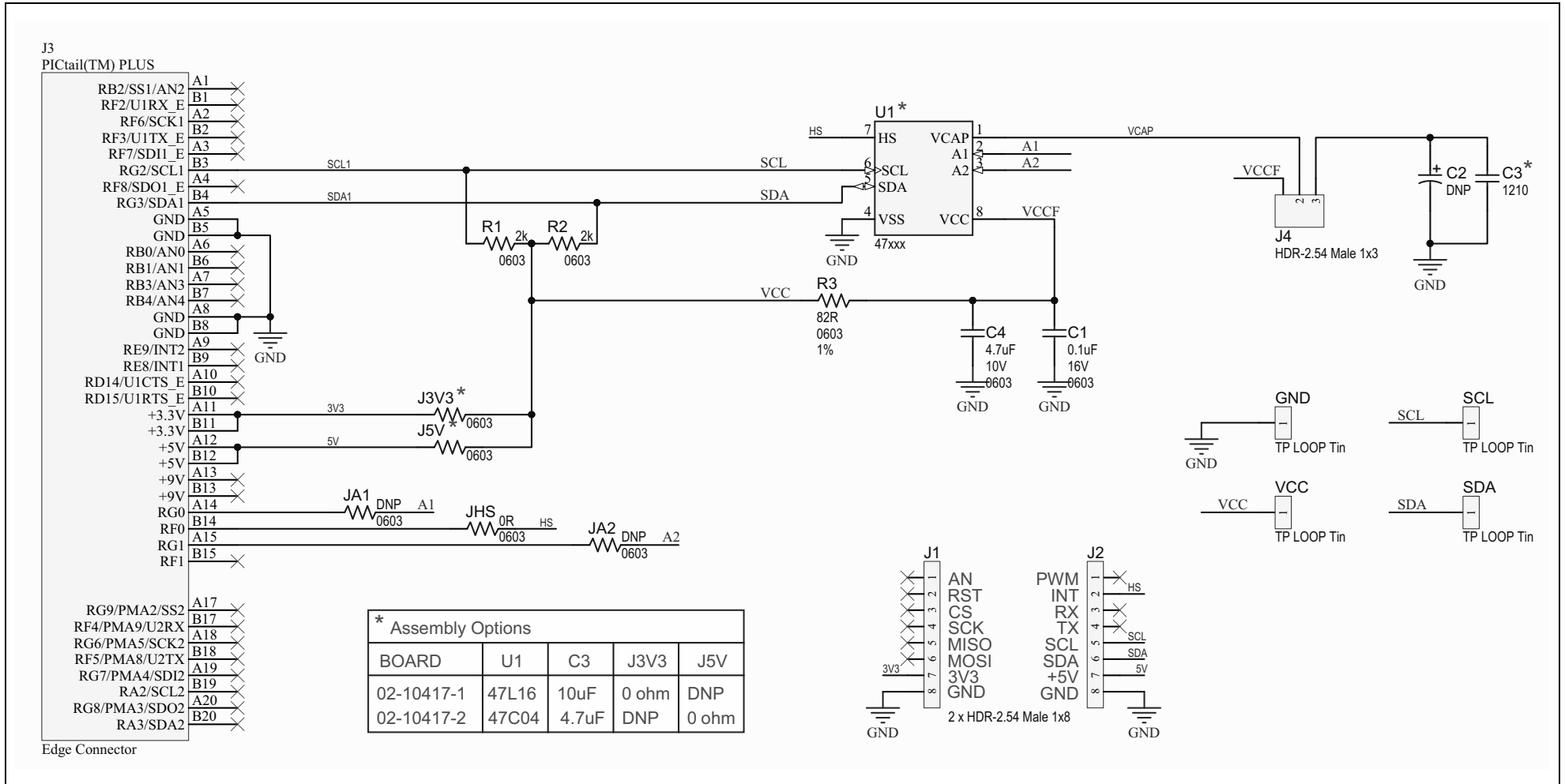
www.microchip.com

The Microchip name and logo, the Microchip logo, PIC and MPLAB are registered trademarks of Microchip Technology Incorporated in the U.S.A. and other countries. All other trademarks mentioned herein are property of their respective companies. © 2016, Microchip Technology Incorporated. All Rights Reserved.

DS20005471C

I²C EERAM PICtail™ Plus Daughter Board with mikroBUS™ Connector Information Sheet

I²C EERAM PICtail™ Plus Schematic



Mouser Electronics

Authorized Distributor

Click to View Pricing, Inventory, Delivery & Lifecycle Information:

[Microchip:](#)

[AC500100](#)