



RF Power GaN Transistor

This 79 W asymmetrical Doherty RF power GaN transistor is designed for cellular base station applications requiring wide instantaneous bandwidth capability covering the frequency range of 1800 to 2200 MHz.

This part is characterized and performance is guaranteed for applications operating in the 1800 to 2200 MHz band. There is no guarantee of performance when this part is used in applications designed outside of these frequencies.

2100 MHz

- Typical Doherty Single-Carrier W-CDMA Characterization Performance: $V_{DD} = 48$ Vdc, $I_{DQA} = 200$ mA, $V_{GSB} = -5.4$ Vdc, $P_{out} = 79$ W Avg., Input Signal PAR = 9.9 dB @ 0.01% Probability on CCDF.⁽¹⁾

Frequency	G_{ps} (dB)	η_D (%)	Output PAR (dB)	ACPR (dBc)
2110 MHz	15.4	56.6	7.1	-33.1
2140 MHz	15.4	56.6	7.1	-34.9
2170 MHz	15.4	56.6	7.1	-34.9
2200 MHz	15.3	56.5	7.0	-34.5

1800 MHz

- Typical Doherty Single-Carrier W-CDMA Performance: $V_{DD} = 48$ Vdc, $I_{DQA} = 200$ mA, $V_{GSB} = -5.5$ Vdc, $P_{out} = 89$ W Avg., Input Signal PAR = 9.9 dB @ 0.01% Probability on CCDF. ⁽¹⁾

Frequency	G_{ps} (dB)	η_D (%)	Output PAR (dB)	ACPR (dBc)
1805 MHz	15.1	56.0	7.0	-31.1
1840 MHz	15.6	56.5	7.1	-31.8
1880 MHz	15.1	58.7	7.0	-30.8

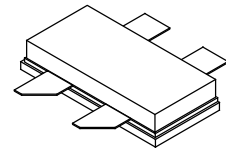
1. All data measured in fixture with device soldered to heatsink.

Features

- High terminal impedances for optimal broadband performance
- Advanced high performance in-package Doherty
- Able to withstand extremely high output VSWR and broadband operating conditions

A3G22H400-04SR3

**1800–2200 MHz, 79 W AVG., 48 V
 AIRFAST RF POWER GaN
 TRANSISTOR**



NI-780S-4L

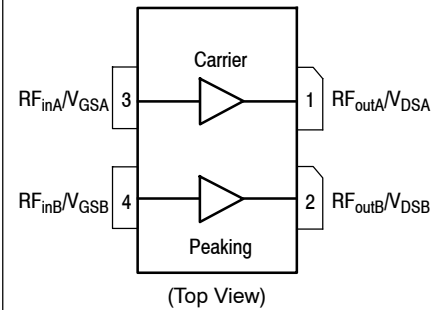


Figure 1. Pin Connections

Table 1. Maximum Ratings

Rating	Symbol	Value	Unit
Drain-Source Voltage	V_{DSS}	125	Vdc
Gate-Source Voltage	V_{GS}	-8, 0	Vdc
Operating Voltage	V_{DD}	0 to +55	Vdc
Maximum Forward Gate Current @ $T_C = 25^\circ\text{C}$	I_{GMAX}	49	mA
Storage Temperature Range	T_{stg}	-65 to +150	$^\circ\text{C}$
Case Operating Temperature Range	T_C	-55 to +150	$^\circ\text{C}$
Operating Junction Temperature Range	T_J	-55 to +225	$^\circ\text{C}$
Absolute Maximum Junction Temperature (1)	T_{MAX}	275	$^\circ\text{C}$

Table 2. Thermal Characteristics

Characteristic	Symbol	Value	Unit
Thermal Resistance by Infrared Measurement, Active Die Surface-to-Case Case Temperature 77°C , $P_D = 64.8\text{ W}$	$R_{\theta JC}$ (IR)	0.87 (2)	$^\circ\text{C/W}$
Thermal Resistance by Finite Element Analysis, Junction-to-Case Case Temperature 77°C , $P_D = 64.8\text{ W}$	$R_{\theta JC}$ (FEA)	1.51 (3)	$^\circ\text{C/W}$

Table 3. ESD Protection Characteristics

Test Methodology	Class
Human Body Model (per JS-001-2017)	2
Charge Device Model (per JS-002-2014)	C3

Table 4. Electrical Characteristics ($T_A = 25^\circ\text{C}$ unless otherwise noted)

Characteristic	Symbol	Min	Typ	Max	Unit
----------------	--------	-----	-----	-----	------

Off Characteristics (4)

Drain-Source Breakdown Voltage ($V_{GS} = -8\text{ Vdc}$, $I_D = 18.9\text{ mAdc}$) ($V_{GS} = -8\text{ Vdc}$, $I_D = 29.7\text{ mAdc}$)	$V_{(BR)DSS}$	150 150	—	—	Vdc
--	---------------	------------	---	---	-----

On Characteristics - Side A, Carrier

Gate Threshold Voltage ($V_{DS} = 10\text{ Vdc}$, $I_D = 18.9\text{ mAdc}$)	$V_{GS(th)}$	-3.8	-3.0	-2.3	Vdc
Gate Quiescent Voltage ($V_{DD} = 48\text{ Vdc}$, $I_{DA} = 200\text{ mAdc}$, Measured in Functional Test)	$V_{GSA(Q)}$	—	-3.0	—	Vdc
Gate-Source Leakage Current ($V_{DS} = 0\text{ Vdc}$, $V_{GS} = -5\text{ Vdc}$)	I_{GSS}	-5.85	—	—	mAdc

On Characteristics - Side B, Peaking

Gate Threshold Voltage ($V_{DS} = 10\text{ Vdc}$, $I_D = 17\text{ mAdc}$)	$V_{GS(th)}$	-3.8	-3.1	-2.3	Vdc
Gate-Source Leakage Current ($V_{DS} = 0\text{ Vdc}$, $V_{GS} = -5\text{ Vdc}$)	I_{GSS}	-9.2	—	—	mAdc

1. Functional operation above 225°C has not been characterized and is not implied. Operation at T_{MAX} (275°C) reduces median time to failure by an order of magnitude; operation beyond T_{MAX} could cause permanent damage.
2. Refer to AN1955, *Thermal Measurement Methodology of RF Power Amplifiers*. Go to <http://www.nxp.com/RF> and search for AN1955.
3. $R_{\theta JC}$ (FEA) must be used for purposes related to reliability and limitations on maximum junction temperature. MTTF may be estimated by the expression $MTTF$ (hours) = $10^{[A + B/(T + 273)]}$, where T is the junction temperature in degrees Celsius, $A = -10.3$ and $B = 8260$.
4. Each side of device measured separately.

(continued)

Table 4. Electrical Characteristics ($T_A = 25^\circ\text{C}$ unless otherwise noted) (continued)

Characteristic	Symbol	Min	Typ	Max	Unit
Functional Tests ^(1,2) (In NXP Doherty Production Test Fixture, 50 ohm system) $V_{DD} = 48\text{ Vdc}$, $I_{DQA} = 200\text{ mA}$, $V_{GSB} = -5.4\text{ Vdc}$, $P_{out} = 79\text{ W Avg.}$, $f = 2110\text{ MHz}$, Single-Carrier W-CDMA, IQ Magnitude Clipping, Input Signal PAR = 9.9 dB @ 0.01% Probability on CCDF. ACPR measured in 3.84 MHz Channel Bandwidth @ $\pm 5\text{ MHz}$ Offset. [See note on correct biasing sequence.]					
Power Gain	G_{ps}	14.3	15.0	17.3	dB
Drain Efficiency	η_D	52.0	55.8	—	%
Output Peak-to-Average Ratio @ 0.01% Probability on CCDF	PAR	6.5	7.2	—	dB
Adjacent Channel Power Ratio	ACPR	—	-30.9	-27.7	dBc

Load Mismatch (In NXP Production Test Fixture, 50 ohm system) $I_{DQA} = 200\text{ mA}$, $V_{GSB} = -5.4\text{ Vdc}$, $f = 2140\text{ MHz}$, 12 sec(on), 10% Duty Cycle

VSWR 10:1 at 55 Vdc, 417 W Pulsed CW Output Power (3 dB Input Overdrive from 340 W Pulsed CW Rated Power)	No Device Degradation
---	-----------------------

Typical Performance ^(2,3) (In NXP Doherty Characterization Test Fixture, 50 ohm system) $V_{DD} = 48\text{ Vdc}$, $I_{DQA} = 200\text{ mA}$, $V_{GSB} = -5.4\text{ Vdc}$, 2110–2200 MHz Bandwidth

P_{out} @ 3 dB Compression Point ⁽⁴⁾	P3dB	—	400	—	W
AM/PM (Maximum value measured at the P3dB compression point across the 2110–2200 MHz bandwidth)	Φ	—	-15	—	°
VBW Resonance Point (IMD Third Order Intermodulation Inflection Point)	VBW_{res}	—	200	—	MHz
Gain Flatness in 90 MHz Bandwidth @ $P_{out} = 79\text{ W Avg.}$	G_F	—	0.05	—	dB
Gain Variation over Temperature (-30°C to +85°C)	ΔG	—	0.015	—	dB/°C
Output Power Variation over Temperature (-30°C to +85°C)	ΔP_{1dB}	—	0.004	—	dB/°C

Table 5. Ordering Information

Device	Tape and Reel Information	Package
A3G22H400-04SR3	R3 Suffix = 250 Units, 32 mm Tape Width, 13-inch Reel	NI-780S-4L

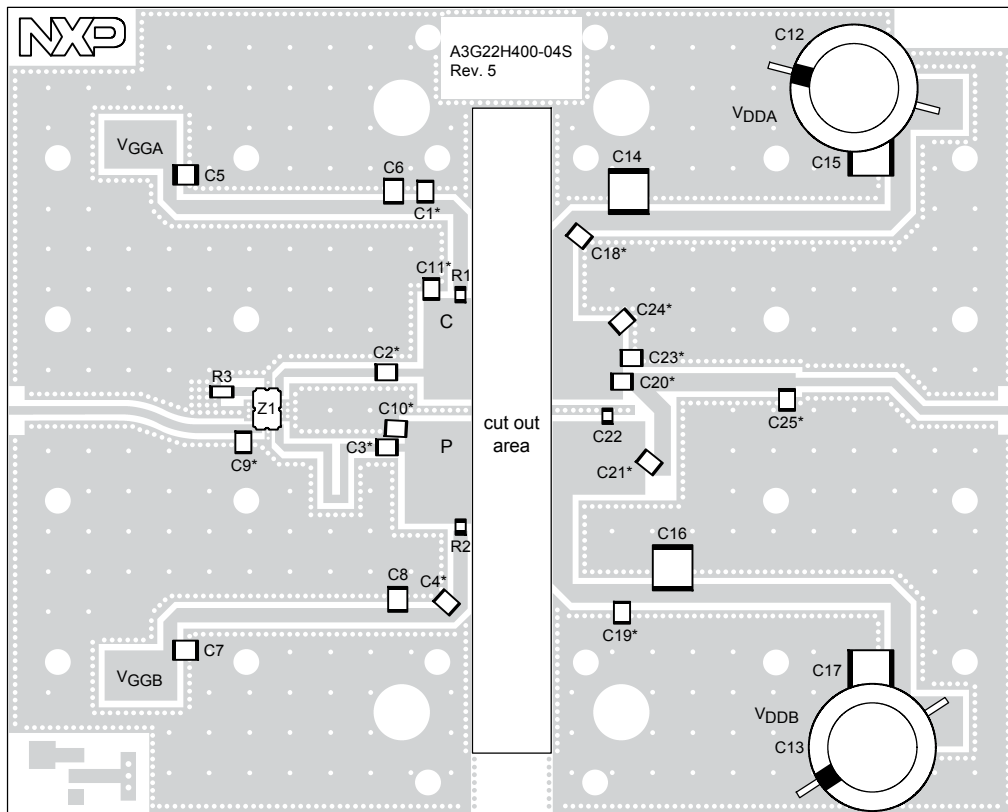
- Part internally matched both on input and output.
- Measurements made with device in an asymmetrical Doherty configuration.
- All data measured in fixture with device soldered to heatsink.
- $P_{3dB} = P_{avg} + 7.0\text{ dB}$ where P_{avg} is the average output power measured using an unclipped W-CDMA single-carrier input signal where output PAR is compressed to 7.0 dB @ 0.01% probability on CCDF.

NOTE: Correct Biasing Sequence for GaN Depletion Mode Transistors**Turning the device ON**

- Set V_{GS} to -5 V
- Turn on V_{DS} to nominal supply voltage (48 V)
- Increase V_{GS} until I_{DS} current is attained
- Apply RF input power to desired level

Turning the device OFF

- Turn RF power off
- Reduce V_{GS} down to -5 V
- Reduce V_{DS} down to 0 V (Adequate time must be allowed for V_{DS} to reduce to 0 V to prevent severe damage to device.)
- Turn off V_{GS}

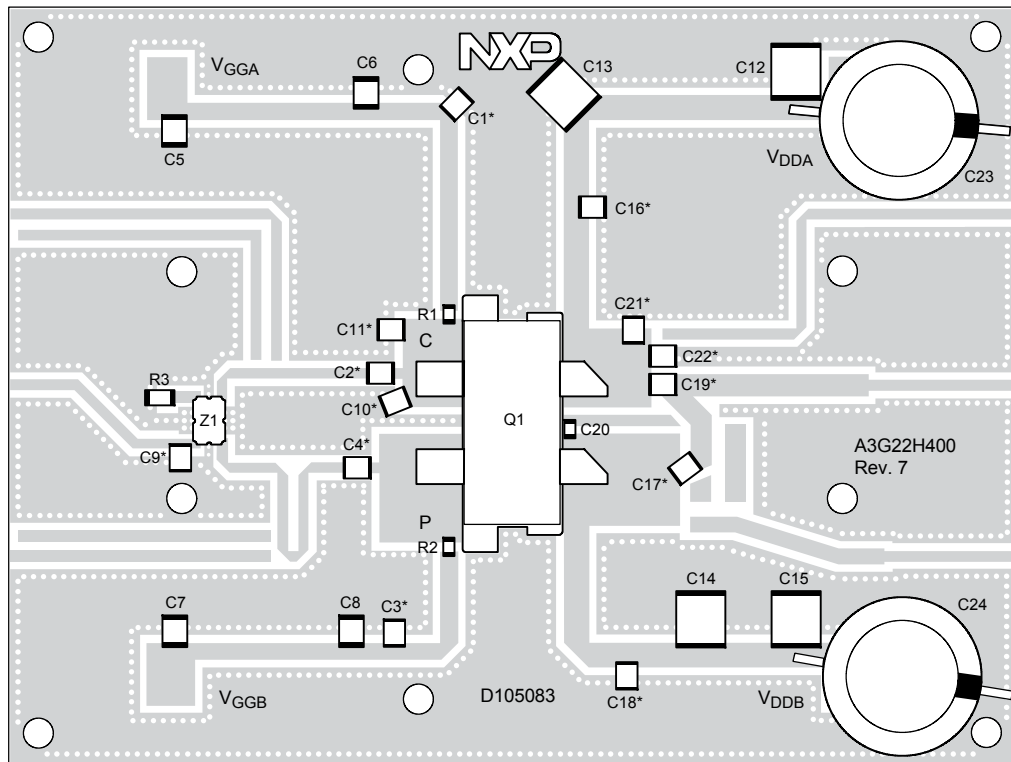


*C1, C2, C3, C4, C9, C10, C11, C18, C19, C20, C21, C23, C24, and C25 are mounted vertically. aaa-030284

Figure 2. A3G22H400-04SR3 Production Test Circuit Component Layout

Table 6. A3G22H400-04SR3 Production Test Circuit Component Designations and Values

Part	Description	Part Number	Manufacturer
C1, C2, C3, C4, C18, C19	8.2 pF Chip Capacitor	ATC100B8R2CT500XT	ATC
C5, C6, C7, C8	10 μ F Chip Capacitor	C3225X7S1H106M250AB	TDK
C9, C10	0.2 pF Chip Capacitor	ATC100B0R2BT500XT	ATC
C11	0.7 pF Chip Capacitor	ATC100B0R7BT500XT	ATC
C12, C13	470 μ F, 100 V Electrolytic Capacitor	MCGPR100V477M16X32	Multicomp
C14, C15, C16, C17	10 μ F Chip Capacitor	C5750X7S2A106M230KB	TDK
C20	3 pF Chip Capacitor	ATC100B3R0CT500XT	ATC
C21	15 pF Chip Capacitor	ATC100B150JT500XT	ATC
C22	1.0 pF Chip Capacitor	GQM2195C2E1R0BB12D	Murata
C23, C24, C25	0.5 pF Chip Capacitor	ATC100B0R5BT500XT	ATC
R1, R2	3.3 Ω , 1/8 W Chip Resistor	CRCW08053R30FKEA	Vishay
R3	50 Ω , 10 W Termination Chip Resistor	060120A25X50-2	Anaren
Z1	1800–2200 MHz Band, 90°, 2 dB Directional Coupler	X3C20F1-02S	Anaren
PCB	Rogers RO4350B, 0.020", $\epsilon_r = 3.66$	—	MTL



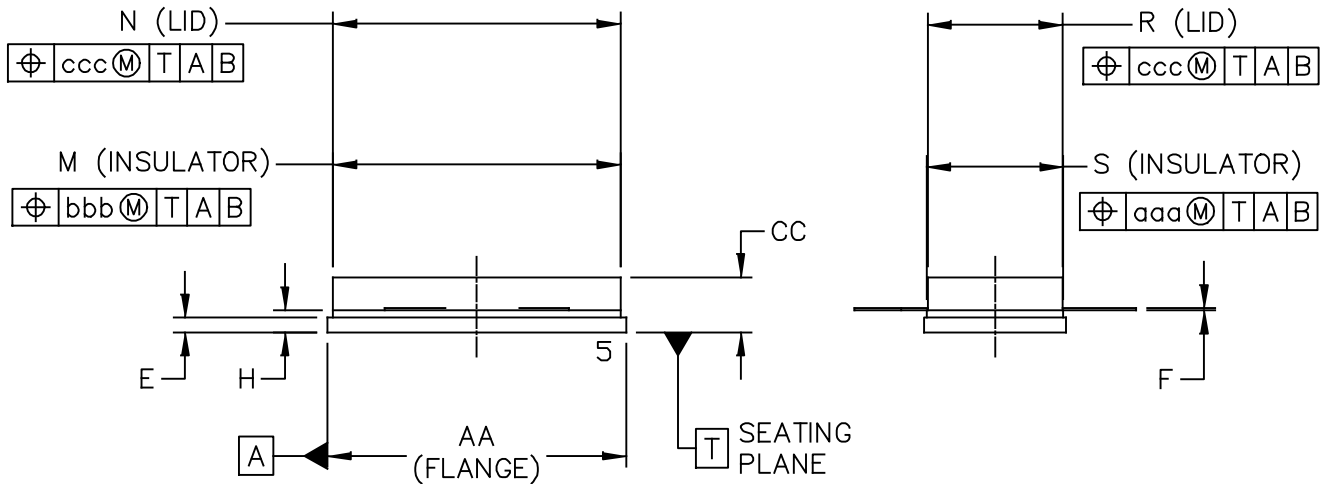
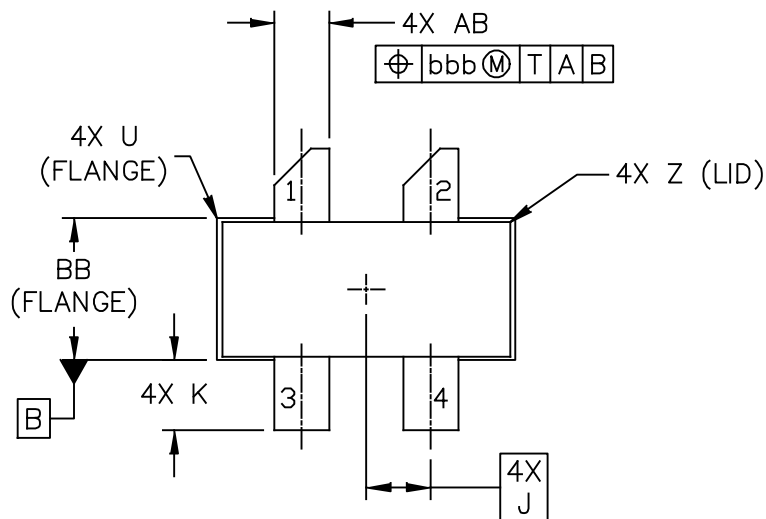
*C1, C2, C3, C4, C9, C10, C11, C16, C17, C18, C19, C21, and C22 are mounted vertically. aaa-030312
 Note: All data measured in fixture with device soldered to heatsink.

Figure 3. A3G22H400-04SR3 Characterization Test Circuit Component Layout — 2110–2200 MHz

Table 7. A3G22H400-04SR3 Characterization Test Circuit Component Designations and Values — 2110–2200 MHz

Part	Description	Part Number	Manufacturer
C1, C2, C3, C16, C17, C18	8.2 pF Chip Capacitor	ATC100B8R2CT500XT	ATC
C4	12 pF Chip Capacitor	ATC100B120JT500XT	ATC
C5, C6, C7, C8	10 μ F Chip Capacitor	C3225X7S1H106M250AB	TDK
C9	0.3 pF Chip Capacitor	ATC100B0R3BT500XT	ATC
C10, C11	0.8 pF Chip Capacitor	ATC100B0R8BT500XT	ATC
C12, C13, C14, C15	10 μ F Chip Capacitor	C5750X7S2A106M230KB	TDK
C19	3.6 pF Chip Capacitor	ATC100B3R6CT500XT	ATC
C20	0.9 pF Chip Capacitor	GQM2195C2ER90BB12D	Murata
C21, C22	0.6 pF Chip Capacitor	ATC100B0R6CT500XT	ATC
C23, C24	470 μ F, 100 V Electrolytic Capacitor	MCGPR100V477M16X32	Multicomp
Q1	RF Power LDMOS Transistor	A3G22H400-04S	NXP
R1, R2	3.3 Ω , 1/8 W Chip Resistor	CRCW08053R30FKEA	Vishay
R3	50 Ω , 10 W Termination Chip Resistor	060120A25X50-2	Anaren
Z1	1800–2200 MHz Band, 90°, 2 dB Directional Coupler	X3C20F1-02S	Anaren
PCB	Rogers RO4350B, 0.020", $\epsilon_r = 3.66$	D105083	MTL

PACKAGE DIMENSIONS



© NXP SEMICONDUCTORS N.V. ALL RIGHTS RESERVED	MECHANICAL OUTLINE	PRINT VERSION NOT TO SCALE
TITLE: NI-780S-4L	DOCUMENT NO: 98ASA10718D STANDARD: NON-JEDEC SOT1826-1	REV: C 01 AUG 2016

NOTES:

1. DIMENSIONING AND TOLERANCING PER ANSI Y14.5M-1994.
2. CONTROLLING DIMENSION: INCH.
3. DELETED
4. DIMENSION H IS MEASURED .030 (0.762) AWAY FROM FLANGE TO CLEAR EPOXY FLOW OUT PARALLEL TO DATUM B.

DIM	INCH		MILLIMETER		DIM	INCH		MILLIMETER		
	MIN	MAX	MIN	MAX		MIN	MAX	MIN	MAX	
AA	.805	.815	20.45	20.70	U		.040		1.02	
BB	.382	.388	9.70	9.86	Z		.030		0.76	
CC	.125	.170	3.18	4.32	AB	.145	.155	3.68	- 3.94	
E	.035	.045	0.89	1.14						
F	.003	.006	0.08	0.15	aaa		.005		0.127	
H	.057	.067	1.45	1.70	bbb		.010		0.254	
J	.175 BSC		4.44 BSC		ccc		.015		0.381	
K	.170	.210	4.32	5.33						
M	.774	.786	19.61	20.02						
N	.772	.788	19.61	20.02						
R	.365	.375	9.27	9.53						
S	.365	.375	9.27	9.52						
© NXP SEMICONDUCTORS N. V. ALL RIGHTS RESERVED			MECHANICAL OUTLINE			PRINT VERSION NOT TO SCALE				
TITLE:					DOCUMENT NO: 98ASA10718D REV: C					
NI-780S-4L					STANDARD: NON-JEDEC					
					SOT1826-1		01 AUG 2016			

PRODUCT DOCUMENTATION, SOFTWARE AND TOOLS

Refer to the following resources to aid your design process.

Application Notes

- AN1908: Solder Reflow Attach Method for High Power RF Devices in Air Cavity Packages
- AN1955: Thermal Measurement Methodology of RF Power Amplifiers

Engineering Bulletins

- EB212: Using Data Sheet Impedances for RF LDMOS Devices

Software

- .s2p File

Development Tools

- Printed Circuit Boards

To Download Resources Specific to a Given Part Number:

1. Go to <http://www.nxp.com/RF>
2. Search by part number
3. Click part number link
4. Choose the desired resource from the drop down menu

REVISION HISTORY

The following table summarizes revisions to this document.

Revision	Date	Description
0	May 2018	• Initial release of data sheet

How to Reach Us:

Home Page:
nxp.com

Web Support:
nxp.com/support

Information in this document is provided solely to enable system and software implementers to use NXP products. There are no express or implied copyright licenses granted hereunder to design or fabricate any integrated circuits based on the information in this document. NXP reserves the right to make changes without further notice to any products herein.

NXP makes no warranty, representation, or guarantee regarding the suitability of its products for any particular purpose, nor does NXP assume any liability arising out of the application or use of any product or circuit, and specifically disclaims any and all liability, including without limitation consequential or incidental damages. "Typical" parameters that may be provided in NXP data sheets and/or specifications can and do vary in different applications, and actual performance may vary over time. All operating parameters, including "typicals," must be validated for each customer application by customer's technical experts. NXP does not convey any license under its patent rights nor the rights of others. NXP sells products pursuant to standard terms and conditions of sale, which can be found at the following address: nxp.com/SalesTermsandConditions.

NXP, the NXP logo and Airfast are trademarks of NXP B.V. All other product or service names are the property of their respective owners.

© 2018 NXP B.V.



Mouser Electronics

Authorized Distributor

Click to View Pricing, Inventory, Delivery & Lifecycle Information:

[NXP:](#)

[A3G22H400-04SR3](#)