

88W8801_SDS

2.4 GHz Single-band 1x1 Wi-Fi 4 Solution

Rev. 2 — 14 December 2020

Product short data sheet

1 Product overview

The 88W8801 is a highly integrated, single-band (2.4 GHz) IEEE 802.11n 1x1 System-on-Chip (SoC), specifically designed to support High Throughput (HT) data rates for Wi-Fi products.

The device provides the combined functions of Direct Sequence Spread Spectrum (DSSS) and Orthogonal Frequency Division Multiplexing (OFDM) baseband modulation, Medium Access Controller (MAC), CPU, memory, host interfaces, and direct conversion Wi-Fi RF radio on a single integrated chip.

For security, the 802.11i security standard is supported through several protocols. And for video, voice, and multimedia applications, 802.11e Quality of Service (QoS) is supported.

Host interfaces include USB 2.0 and SDIO 2.0 to connect the Wi-Fi radio to the host processor.

The device is available in a 48-pin QFN package.

[Figure 1](#) shows the application block diagram of the device.

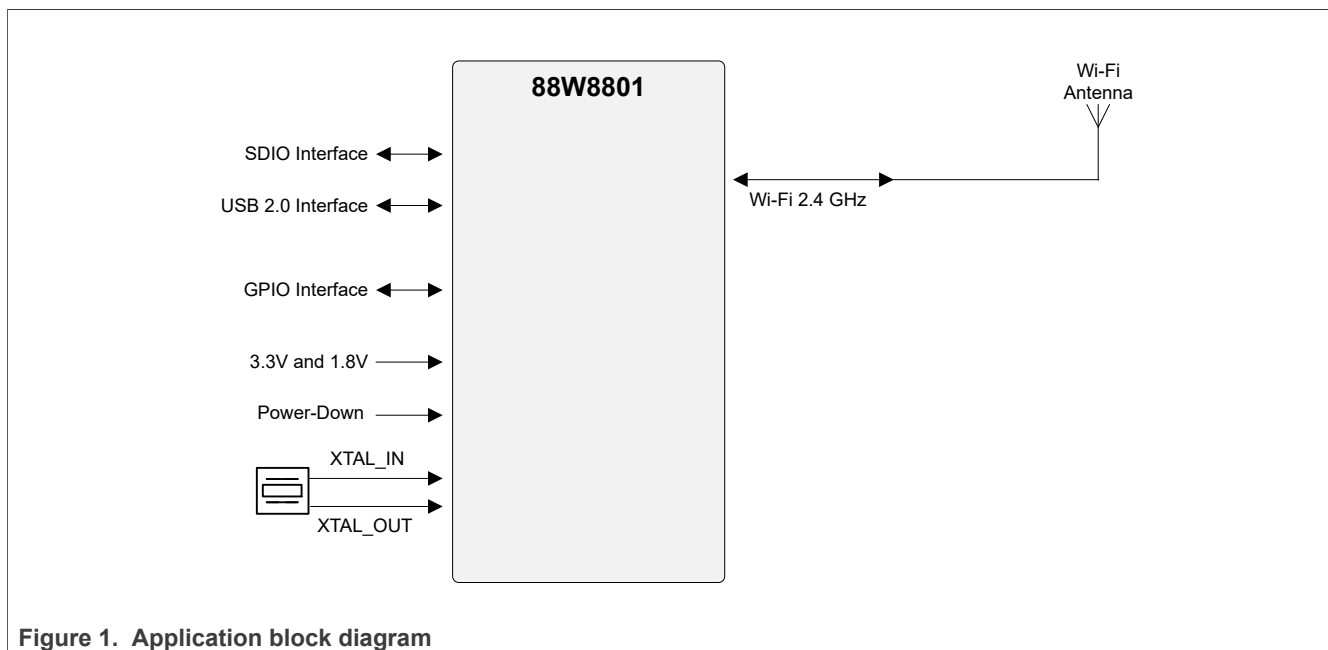


Figure 1. Application block diagram

1.1 Applications

- Internet of Things
- Imaging platforms (printers, digital still cameras, digital picture frames)
- Consumer electronic devices
- Smart Energy systems
- Connected appliances

1.2 Wi-Fi key features

- 1x1 SISO and HT20 operation
- 802.11e Quality of Service (QoS)
- Thick MAC architecture
- Simultaneous operation
 - Mobile AP and STA
 - Wi-Fi direct and STA
- Supports WPA2/WPA2 mixed mode and WPA3 security standards

1.3 Host interfaces

- USB 2.0 with Link Power Management (LPM)
- SDIO 2.0

1.4 Operating characteristics

- Supply voltage: 1.8V and 3.3V
- Operating temperature
 - Commercial: 0 to 70°C
 - Extended: -30 to 85°C
 - Industrial: -40 to 85°C

1.5 General features

- Package: 48-pin QFN (6 mm x 6 mm)
- 26 MHz and 38.4 MHz crystal clock support
 - Supports CMOS and low-swing sine wave input clock
- Low-power operation supporting deep-sleep and standby modes
- ARM-based CPU
- 128 MHz maximum CPU clock speed
- Peripheral interfaces:
 - Clocked serial unit: 2-Wire serial interface
 - UART (debug) interface
 - General Purpose Input Output (GPIO)
- Memory
 - Internal SRAM
 - Boot ROM
 - One Time Programmable (OTP) memory for storing the MAC address and calibration data

1.6 Internal block diagram

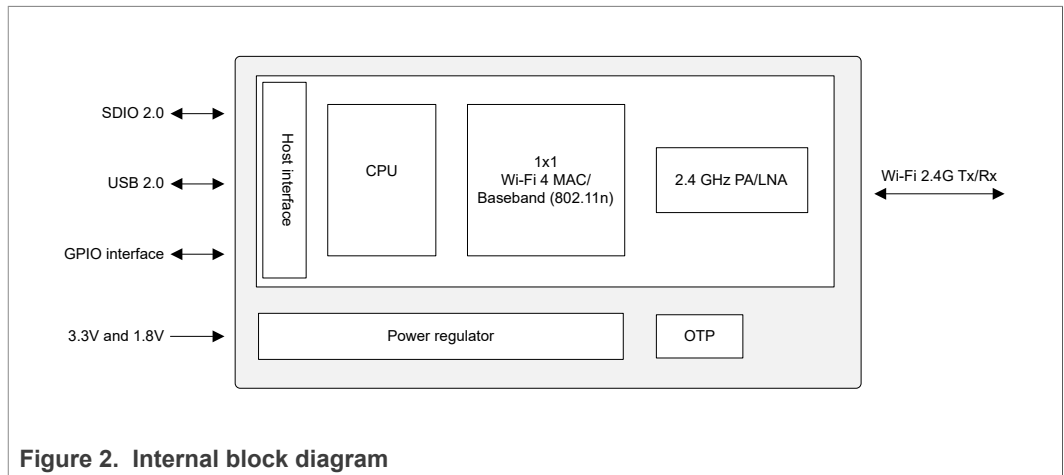


Figure 2. Internal block diagram

2 Ordering information

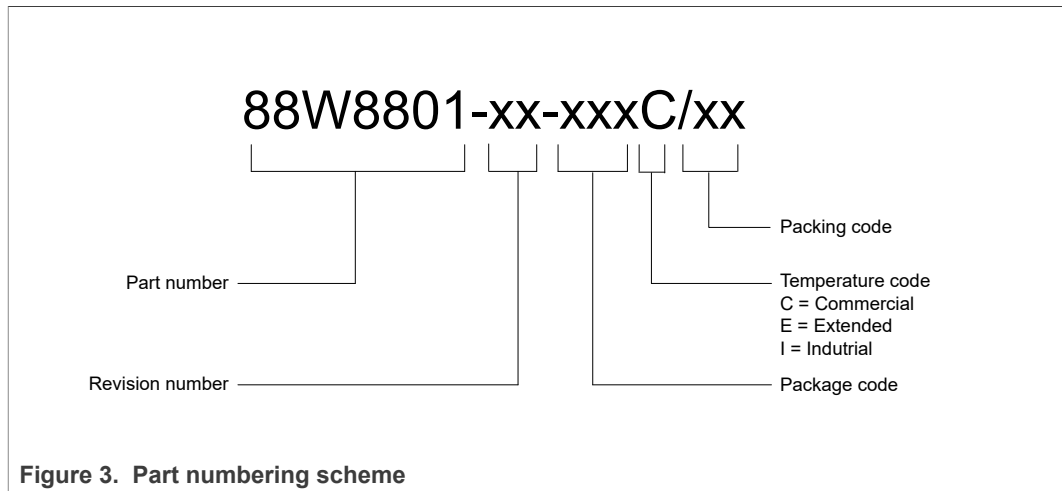


Table 1. Part order codes

Part Order Code	Package Type	Packing
88W8801-B0-NMDC/AK	48-pin QFN - 6 x 6 x 0.85 mm, with 0.4 mm pitch	Tray
88W8801-B0-NMDC/AZ	48-pin QFN - 6 x 6 x 0.85 mm, with 0.4 mm pitch	Tape and Reel
88W8801-B0-NMDE/AK	48-pin QFN - 6 x 6 x 0.85 mm, with 0.4 mm pitch	Tray
88W8801-B0-NMDE/AZ	48-pin QFN - 6 x 6 x 0.85 mm, with 0.4 mm pitch	Tape and Reel
88W8801-B0-NMDI/AK	48-pin QFN - 6 x 6 x 0.85 mm, with 0.4 mm pitch	Tray
88W8801-B0-NMDI/AZ	48-pin QFN - 6 x 6 x 0.85 mm, with 0.4 mm pitch	Tape and Reel

3 Wi-Fi subsystem

3.1 IEEE 802.11 standards

- 802.11 data rates of 1 and 2 Mbps
- 802.11b data rates of 5.5 and 11 Mbps
- 802.11g data rates 6, 9, 12, 18, 24, 36, 48, and 54 Mbps for multimedia content transmission
- 802.11g/b performance enhancements
- 802.11n compliant with maximum data rates up to 72.2 Mbps (20 MHz channel)
- 802.11d international roaming
- 802.11e quality of service
- 802.11h transmit power control
- 802.11i enhanced security
- 802.11k radio resource measurement
- 802.11n block acknowledgement extension
- 802.11r fast hand-off for AP roaming
- 802.11w protected management frames
- Fully supports clients (stations) implementing IEEE Power Save mode
- Wi-Fi direct connectivity

3.2 Wi-Fi MAC

- Simultaneous peer-to-peer and infrastructure modes
- RTS/CTS for operation under DCF
- Hardware filtering of 32 multicast addresses
- On-chip Tx and Rx FIFO for maximum throughput
- Open system and shared key authentication services
- A-MPDU Rx (de-aggregation) and Tx (aggregation)
- Reduced Inter-Frame Spacing (RIFS) receive
- Management information base counters
- Radio resource measurement counters
- Quality of service queues
- Block acknowledgement extension
- Multiple-BSSID and Multiple-Station operation
- Transmit rate adaptation
- Transmit power control
- Long and short preamble generation on a frame-by-frame basis for 802.11b frames
- Mobile hotspot

3.3 Wi-Fi baseband

- 802.11n 1x1 SISO
- Backward compatibility with legacy 802.11g/b technology
- PHY data rates up to 72.2 Mbit/s
- 20 MHz channel bandwidth
- Modulation and Coding Scheme (MCS)—MCS 0~7
- Radio resource measurement
- Optional 802.11n SISO features:
 - 1 spatial stream STBC reception and transmission
 - Short guard interval
 - RIFS on receive path for 802.11n packets
 - 802.11n greenfield Tx/Rx
- Power save features

3.4 Wi-Fi radio

- Integrated direct-conversion radio
- 20 MHz channel bandwidth
- Integrated Tx/Rx RF switch, PA, and LNA

Wi-Fi Rx path

- Direct conversion architecture eliminates need for external SAW filter
- On-chip gain selectable LNA with optimized noise figure and power consumption
- High dynamic range AGC function in receive mode

Wi-Fi Tx path

- Integrated power amplifier with power control
- Optimized Tx gain distribution for linearity and noise performance

Wi-Fi local oscillator

- Fractional-N oscillator for multiple reference clock support
- Fine channel step

3.5 Wi-Fi encryption

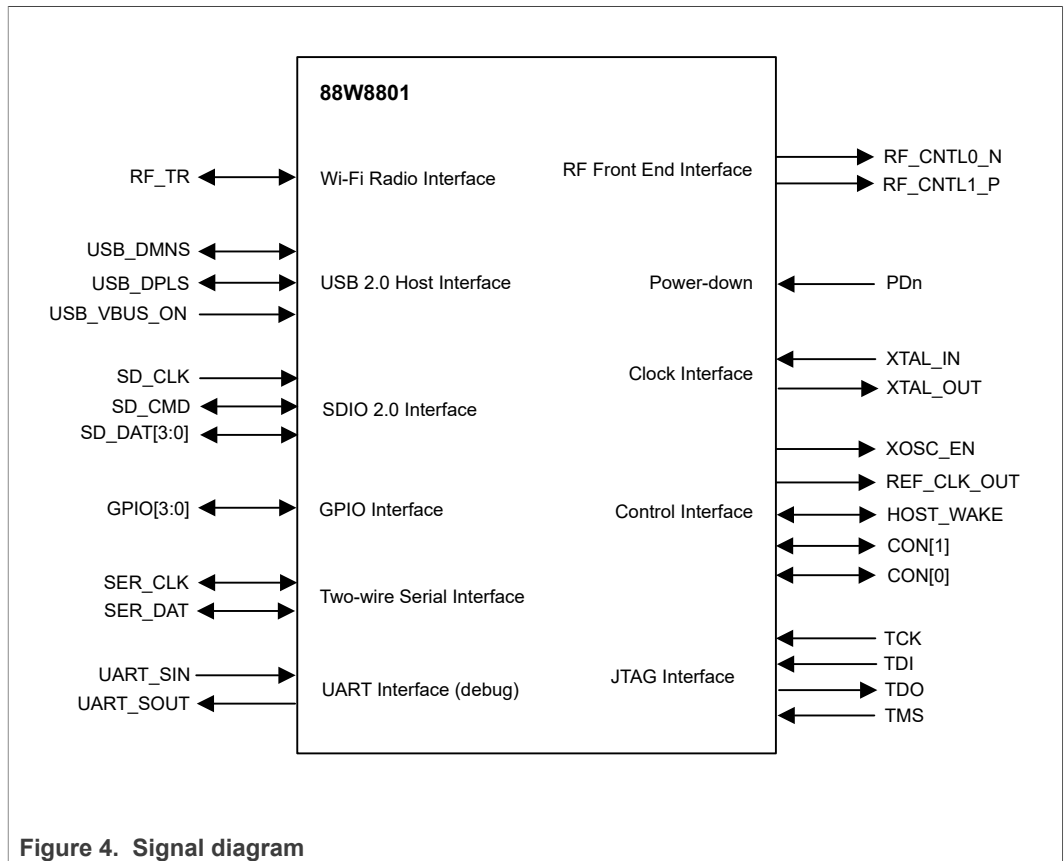
- WEP 64- and 128-bit encryption
- AES-CCMP hardware implementation as part of 802.11i security standard (WPA2)
- Enhanced AES engine performance
- AES-Cipher-Based Message Authentication Code (CMAC) as part of the 802.11w security standard
- Simultaneous Authentication of Equals (SAE) WPA3
- WLAN Authentication and Privacy Infrastructure (WAPI)

3.6 Wi-Fi host interfaces

- USB 2.0 with Link Power Management (LPM)
- SDIO 2.0

4 Pin information

4.1 Signal diagram



4.2 Pin assignment

Figure 5 shows the pin assignment on the 48-pin QFN package top view.

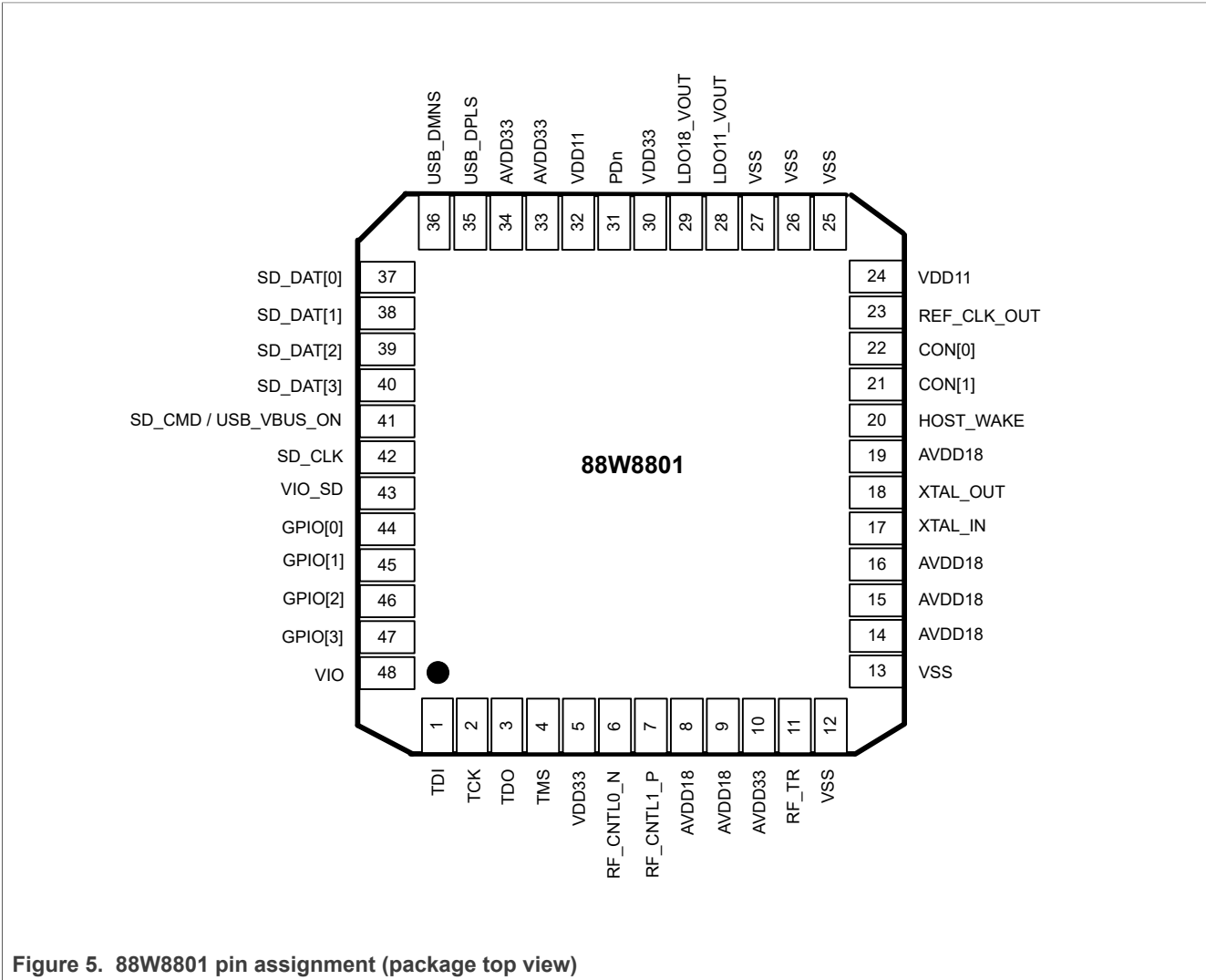


Figure 5. 88W8801 pin assignment (package top view)

4.3 Signal types

Table 2. Pin types

Pin type	Description
I/O	Digital input/output
I	Digital input
O	Digital output
A, I	Analog input
A, O	Analog output

4.4 Pin list

[Table 3](#) shows the pin list sorted by pin number.

Table 3. Pin list by number

Pin number	Pin name	Supply	Type
1	TDI	VIO	I
2	TCK	VIO	I
3	TDO	VIO	O
4	TMS	VIO	I
5	VDD33	--	Power
6	RF_CNTL0_N	VDD33	O
7	RF_CNTL1_P	VDD33	O
8	AVDD18	--	Power
9	AVDD18	--	Power
10	AVDD33	--	Power
11	RF_TR	AVDD33	A, I/O
12	VSS	--	Ground
13	VSS	--	Ground
14	AVDD18	--	Power
15	AVDD18	--	Power
16	AVDD18	--	Power
17	XTAL_IN	AVDD18	A, I
18	XTAL_OUT	AVDD18	A, O
19	AVDD18	--	Power
20	HOST_WAKE	AVDD18	I
21	CON[1]	AVDD18	I
22	CON[0]	AVDD18	I
23	REF_CLK_OUT	AVDD18	O
24	VDD11	--	Power
25	VSS	--	Power
26	VSS	--	Power
27	VSS	--	Power
28	LDO11_VOUT	--	Power
29	LDO18_VOUT	--	Power
30	VDD33	--	Power
31	PDn	AVDD18	I
32	VDD11	--	Power
33	AVDD33	--	Power
34	AVDD33	--	Power

Table 3. Pin list by number...continued

Pin number	Pin name	Supply	Type
35	USB_DPLS	AVDD33	I/O
36	USB_DMNS	AVDD33	I/O
37	SD_DAT[0]	VIO_SD	I/O
38	SD_DAT[1]	VIO_SD	I/O
39	SD_DAT[2]	VIO_SD	I/O
40	SD_DAT[3]	VIO_SD	I/O
41	SD_CMD / USB_VBUS_ON	VIO_SD	I/O
42	SD_CLK	VIO_SD	I
43	VIO_SD	--	Power
44	GPIO[0]	VIO	I/O
45	GPIO[1]	VIO	I/O
46	GPIO[2]	VIO	I/O
47	GPIO[3]	VIO	I/O
48	VIO	--	Power

4.5 Pin description

4.5.1 Pin states

The terminology used for the pin state information in some pin description tables is as follows:

- HW State: Hardware default state after reset
- PD State: Power-down state
- PU/PD: Programmable pull-up/pull-down

Note:

After firmware is downloaded, the pads (GPIO, serial interface, JTAG, and RF control) are programmed in functional mode per the functionality of the pins.

For SDIO, once the command is received from the host, the pads are configured accordingly. Pull-up (PU) and pull-down (PD) are only effective when the pad is in input mode.

4.5.2 Wi-Fi radio interface

Table 4. Wi-Fi radio interface

QFN Pin No.	Pin name	Type	Supply	Description
11	RF_TR	A, I/O	AVDD33	Transmit/Receive RF Input/Output—2.4 GHz Baseband input/output data

4.5.3 RF front-end control interface

Table 5. RF font-end control interface

QFN Pin No.	Pin Name	Supply	No Pad Power State	Reset State	HW State	PD State	Internal PU	PU	PD
6	RF_CNTL0_N	VDD33	tristate	input	output drive low	drive low	weak PU enable	no	no
RF Control 0 - RF control output low									
7	RF_CNTL1_P	VDD33	tristate	input	output drive high	drive high	weak PU enable	no	no
RF Control 1 - RF control output high									

4.5.4 General purpose I/O (GPIO) interface

Table 6. General purpose I/O (GPIO) interface

QFN Pin No.	Pin name	Pad supply	No pad power state	Reset state	HW state	PD state	Internal PU	PU	PD
47	GPIO[3]	VIO	tristate	output drive high	output drive high	tristate	nominal PU enable	yes	yes
GPIO Mode: GPIO[3] TWSI EEPROM Mode: SER_DAT Serial interface data (input/output)									
46	GPIO[2]	VIO	tristate	input	output drive high	tristate	weak PU enable	no	no
GPIO Mode: GPIO[2] TWSI EEPROM Mode: SER_CLK Serial interface clock (input/output)									
45	GPIO[1]	VIO	tristate	input	output drive high	tristate	weak PU enable	yes	yes
GPIO Mode: GPIO[1] UART Mode: UART_SOUT (output), debug only Host Wakeup: SoC-to-Host wakeup (output)									
44	GPIO[0]	VIO	tristate	output	output drive high	tristate	nominal PU enable	yes	yes
GPIO Mode: GPIO[0] UART Mode: UART_SIN (input), debug only Oscillator Mode: XOSC_EN (output, active high) 0 = disable external oscillator 1 = enable external oscillator									

4.5.5 SDIO 2.0 host interface

Table 7. SDIO host interface

QFN Pin No.	Pin name	Supply	No pad power state	Reset state	HW state	PD state	Internal PU	PU	PD
42	SD_CLK	VIO_SD	tristate	input	input	tristate	nomi-nal PU enable	yes	yes
SDIO 4-bit Mode: Clock input SDIO 1-bit Mode: Clock input SDIO SPI Mode: Clock input									
41	SD_CMD/ USB_VBUS_ON	VIO_SD	tristate	input	input	tristate	nomi-nal PU enable	yes	yes
SDIO 4-bit Mode: Command/response (input/output) SDIO 1-bit Mode: Command line SDIO SPI Mode: Data input USB Mode: USB_VBUS_ON (input)									
37	SD_DAT[0]	VIO_SD	tristate	input	input	tristate	nomi-nal PU enable	yes	yes
SDIO 4-bit Mode: Data line Bit[0] SDIO 1-bit Mode: Data line SDIO SPI Mode: Data output									
38	SD_DAT[1]	VIO_SD	tristate	input	input	tristate	nomi-nal PU enable	yes	yes
SDIO 4-bit Mode: Data line Bit[1] SDIO 1-bit Mode: Interrupt SDIO SPI Mode: Interrupt									
39	SD_DAT[2]	VIO_SD	tristate	input	input	tristate	nomi-nal PU enable	yes	yes
SDIO 4-bit Mode: Data line Bit[2] or read wait (optional) SDIO 1-bit Mode: Read wait (optional) SDIO SPI Mode: Reserved									
40	SD_DAT[3]	VIO_SD	tristate	input	input	tristate	nomi-nal PU enable	yes	yes
SDIO 4-bit Mode: Data line Bit[3] SDIO 1-bit Mode: Reserved SDIO SPI Mode: Card select (active low)									

4.5.6 USB 2.0 host interface

Table 8. USB host interface^[1]

QFN Pin No.	Pin name	Type	Supply	Description
36	USB_DMNS	I/O	AVDD33	USB Serial Differential Data Negative
35	USB_DPLS	I/O	AVDD33	USB Serial Differential Data Positive

[1] For USB_VBUS_ON, see [Section 4.5.5 "SDIO 2.0 host interface"](#).

4.5.7 Control interface

Table 9. Control interface

QFN Pin No.	Pin name	Supply	No pad power state	Reset state	HW state	PD state	Internal PU	PU	PD
20	HOST_WAKE	AVDD18	tristate	input	input	tristate	weak PD enable	yes	yes
Host Wakeup Host-to-SoC Wakeup (input)									
21	CON[1]	AVDD18	tristate	input	input	tristate	weak PU enable	yes	yes
Configuration Pin (CON[1]) See Section 4.6 "Configuration pins" .									
22	CON[0]	AVDD18	tristate	input	input	tristate	weak PU enable	no	no
Configuration Pin (CON[0]) See Section 4.6 "Configuration pins" .									
23	REF_CLK_OUT	AVDD18	tristate	analog	analog	tristate	analog	yes	yes
Reference Clock Output									

4.5.8 Clock interface

Table 10. Clock interface

QFN Pin No.	Pin name	Type	Supply	Description
17	XTAL_IN	A, I	AVDD18	Crystal/Crystal Oscillator / System Clock Input Accepts 26/38.4 MHz clock signals from a crystal oscillator (frequency stability ±20 ppm).
18	XTAL_OUT	A, O	AVDD18	Crystal / Crystal Oscillator Output Connect this pin to ground when an external oscillator is used.

4.5.9 Power-down

Table 11. Power-down

QFN Pin No.	Pin name	Type	Supply	Description
31	PDn	I	Input	Full Power-Down (active low) 0 = full power-down mode 1 = normal mode <ul style="list-style-type: none"> Connect to power-down pin of host or 3.3V/1.8V External host required to drive this pin high for normal operation No internal pull-up on this pin.

4.5.10 Power supply and ground pins

Table 12. Power supply and ground pins

QFN Pin No.	Pin name	Type	Description
24 32	VDD11	Power	1.1V Core Power Supply
48	VIO	Power	1.8V/3.3V Digital I/O Power Supply
43	VIO_SD	Power	1.8V/3.3V Digital I/O SDIO Power Supply
5 30	VDD33	Power	3.3V Digital Power Supply
8 9 14 15 16 19	AVDD18	Power	1.8V Analog Power Supply
10 33 34	AVDD33	Power	3.3V Analog Power Supply
28	LDO11_VOUT	Power	1.1V LV LDO Voltage Output
29	LDO18_VOUT	Power	1.8V LV LDO Voltage Output
12 13 25 26 27	VSS	Ground	Ground Connect these pins to ground

4.5.11 UART interface (debug)

Table 13. UART interface (debug)

QFN Pin No.	Pin name	Type	Supply	Description
44	UART_SIN	I	VIO	UART serial input signal. GPIO[0] input/output
45	UART_SOUT	O	VIO	UART serial output signal. GPIO[1] input/output

4.5.12 Two-wire serial interface

Table 14. Two-wire serial interface

QFN Pin No.	Pin name	Type	Supply	Description
46	SER_CLK	I/O	VIO	Serial interface clock signal. GPIO[2] input/output
47	SER_DAT	I/O	VIO	Serial interface data signal. GPIO[3] input/output

4.5.13 JTAG interface

Table 15. JTAG interface

QFN Pin No.	Pin name	Supply	No pad power state	Reset state	HW state	PD state	Internal PU enable	PU	PD
2	TCK	VIO	tristate	input	input	tristate	nominal PU enable	yes	yes
JTAG test clock (input)									
1	TDI	VIO	tristate	input	input	tristate	nominal PU enable	yes	yes
JTAG test data (input)									
3	TDO	VIO	tristate	input	output drive low	tristate	weak PU enable	no	no
JTAG test data (output)									
4	TMS	VIO	tristate	input	input	tristate	nominal PU enable	yes	yes
JTAG controller select (input)									

4.6 Configuration pins

Table 16 shows the pins used as configuration inputs to set parameters following a reset. The definition of these pins changes immediately after reset to their usual function. To set a configuration bit to 0, attach a 100 kΩ resistor from the pin to ground. No external circuitry is required to set a configuration bit to 1.

Table 16. Configuration pins

Configuration bits	Pin name	Configuration function
CON[2]	SER_CLK	Oscillator frequency select 0 = 26 MHz 1 = 38.4 MHz (default)
CON[1]	CON[1]	Firmware boot options 00 = UART (debug) 01 = reserved 10 = SDIO 11 = USB (default)
CON[0]	CON[0]	

5 Power information

5.1 Leakage optimization

For applications not using Wi-Fi, the device can be put into a low-leakage mode of operation. Methods used to achieve this include:

- Using PDn pin
The power-down state provides the lowest leakage mode of operation. Assert PDn low to enter power-down. This must be met to enter a power-down state.
- All rails powered off

Alternatively, all power rails can be powered off. In this case, the state of the PDn pin is irrelevant.

5.2 Power options

5.2.1 Case 1 - Internal 1.1V and internal 1.8V

[Figure 6](#) shows the power option with the internal 1.1V and internal 1.8V supply.

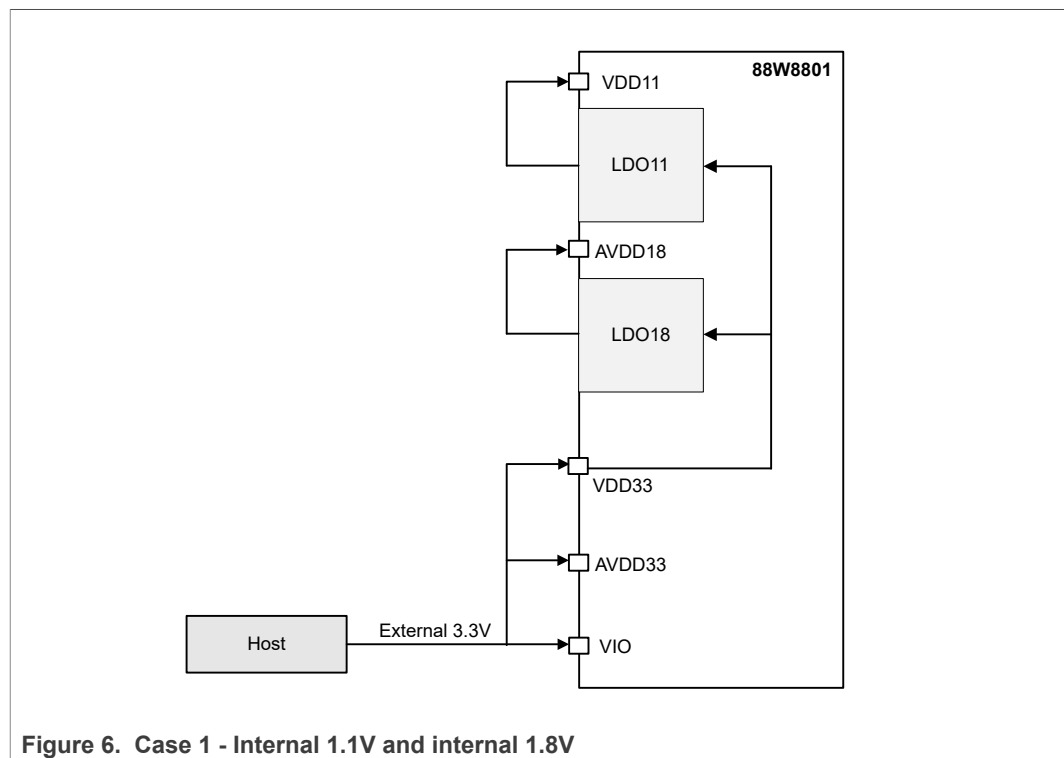


Figure 6. Case 1 - Internal 1.1V and internal 1.8V

5.2.1.1 Power-up sequence for case 1 and PDn driven by host

- External VDD33/VIO/VIO_SD from host
- Internal AVDD18/VDD11 from on-chip LDOs
- PDn driven by host

The following requirements must be met for correct power-up:

- Assert PDn low (active) during VDD33/VIO/VIO_SD ramp-up. Continue to assert low for a minimum of 1 ms after VDD33/VIO/VIO_SD are stable.
- External 3.3V or 1.8V can be used for VIO/VIO_SD as needed by the platform.
- VIO_SD is provided by host if SDIO interface is used.
- VDD33 is used as input to LDO18, which outputs AVDD18.
- VDD33 is used as input to LDO11, which outputs VDD11.
- If an external crystal oscillator is used, then GPIO[0] is used as XOSC_EN.

Figure 7 shows the power-up sequence for case 1 and PDn driven by host.

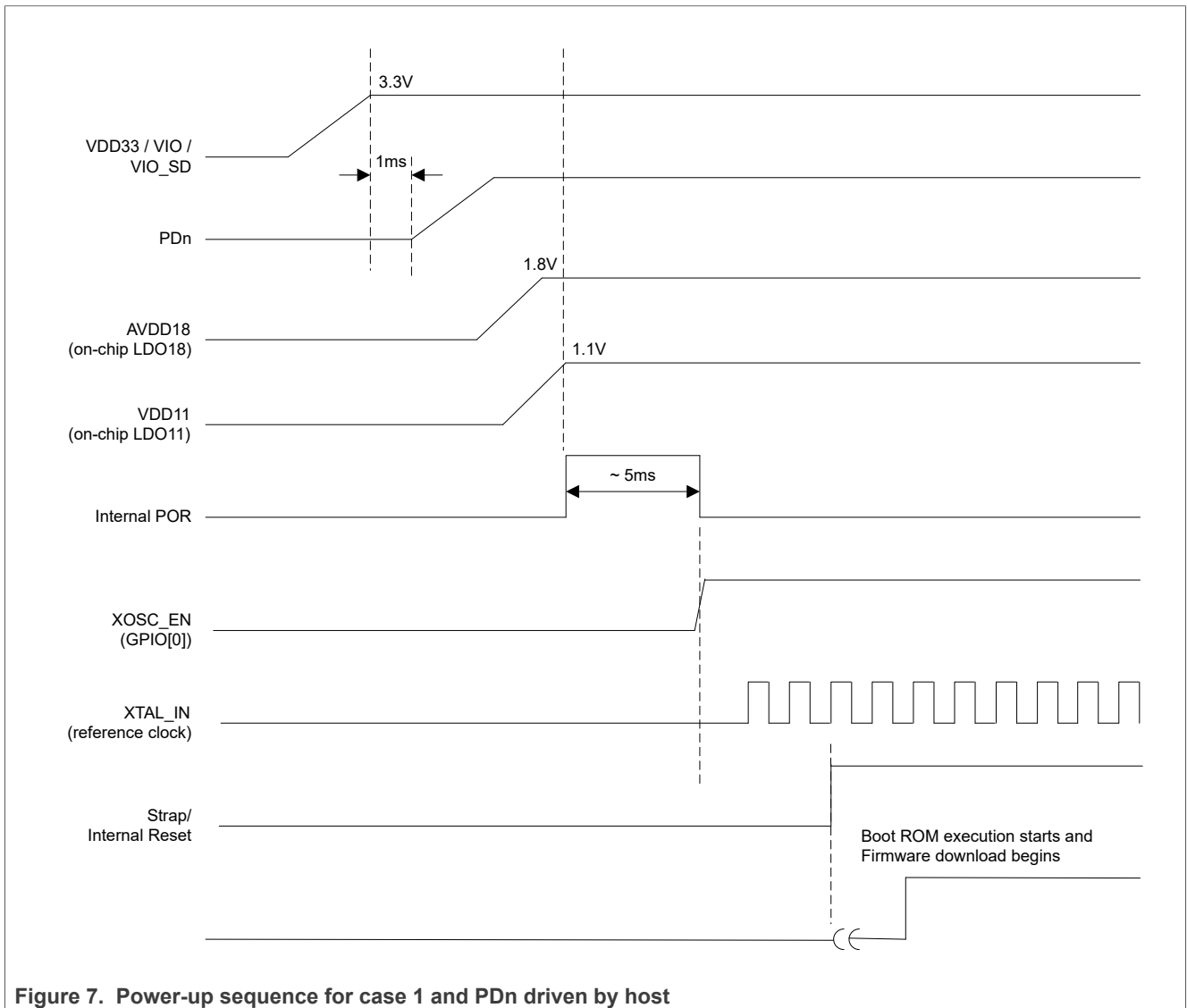


Figure 7. Power-up sequence for case 1 and PDn driven by host

5.2.1.2 Power-up sequence for case 1 and PDn tied to VDD33

- External VDD33/VIO/VIO_SD from host
- Internal AVDD18/VDD11 from on-chip LDOs
- PDn is tied to VDD33

The following requirements must be met for correct power-up:

- Ramp-up time of VDD33 should be < 5 ms.
- VDD33 is used as VIO/VIO_SD.
- VDD33 is used as input to LDO18, which outputs AVDD18.
- VDD33 is used as input to LDO11, which outputs VDD11.
- If an external crystal oscillator is used, then GPIO[0] is used as XOSC_EN.

Figure 8 shows the power-up sequence for case 1 and PDn tied to VDD33.

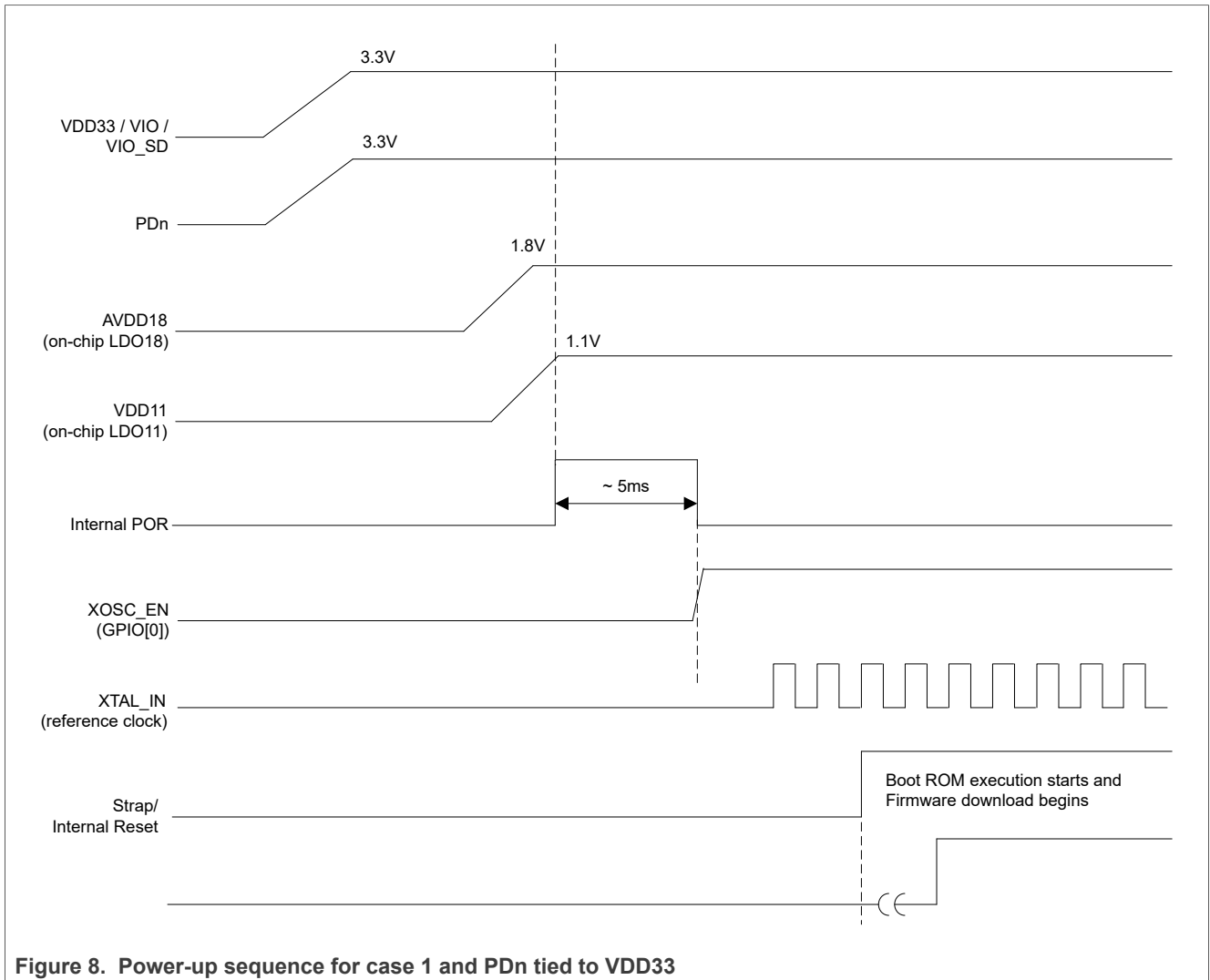


Figure 8. Power-up sequence for case 1 and PDn tied to VDD33

5.2.2 Case 2 - Internal 1.1V and external 1.8V

Figure 9 shows the second power option with 1.1V internal voltage supply and 1.8V external supply.

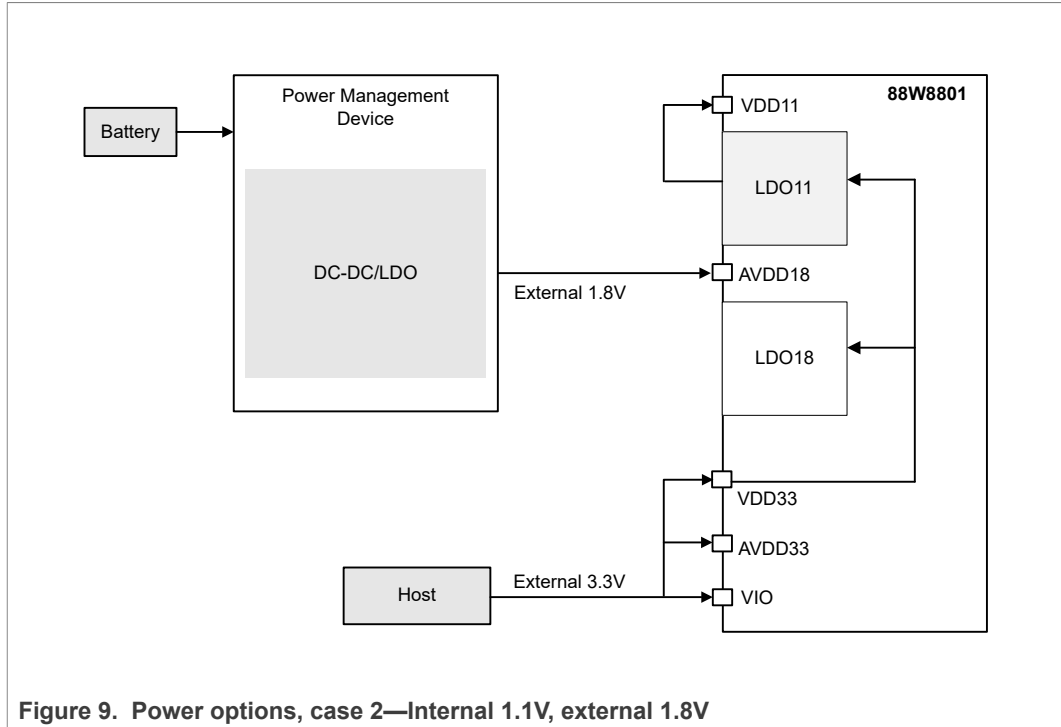


Figure 9. Power options, case 2—Internal 1.1V, external 1.8V

5.2.2.1 Power-up sequence for case 2

- External VDD33/VIO/VIO_SD from host
- External AVDD18
- Internal VDD11 from on-chip LDO
- PDn is driven by host

The following requirements must be met for correct power-up:

- Assert PDn low (active) during VDD33/VIO/VIO_SD and AVDD18 ramp-up. Continue to assert low for a minimum of 1 ms after VDD33/VIO/VIO_SD and AVDD18 are stable.
- External 3.3V or 1.8V can be used for VIO/VIO_SD as needed by the platform.
- VIO_SD is provided by host if SDIO interface is used.
- VDD33 is used as input to LDO11, which outputs VDD11.
- If an external crystal oscillator is used, then GPIO[0] is used as XOSC_EN.

[Figure 10](#) shows the power-up sequence for the power option with internal 1.1V and external 1.8V.

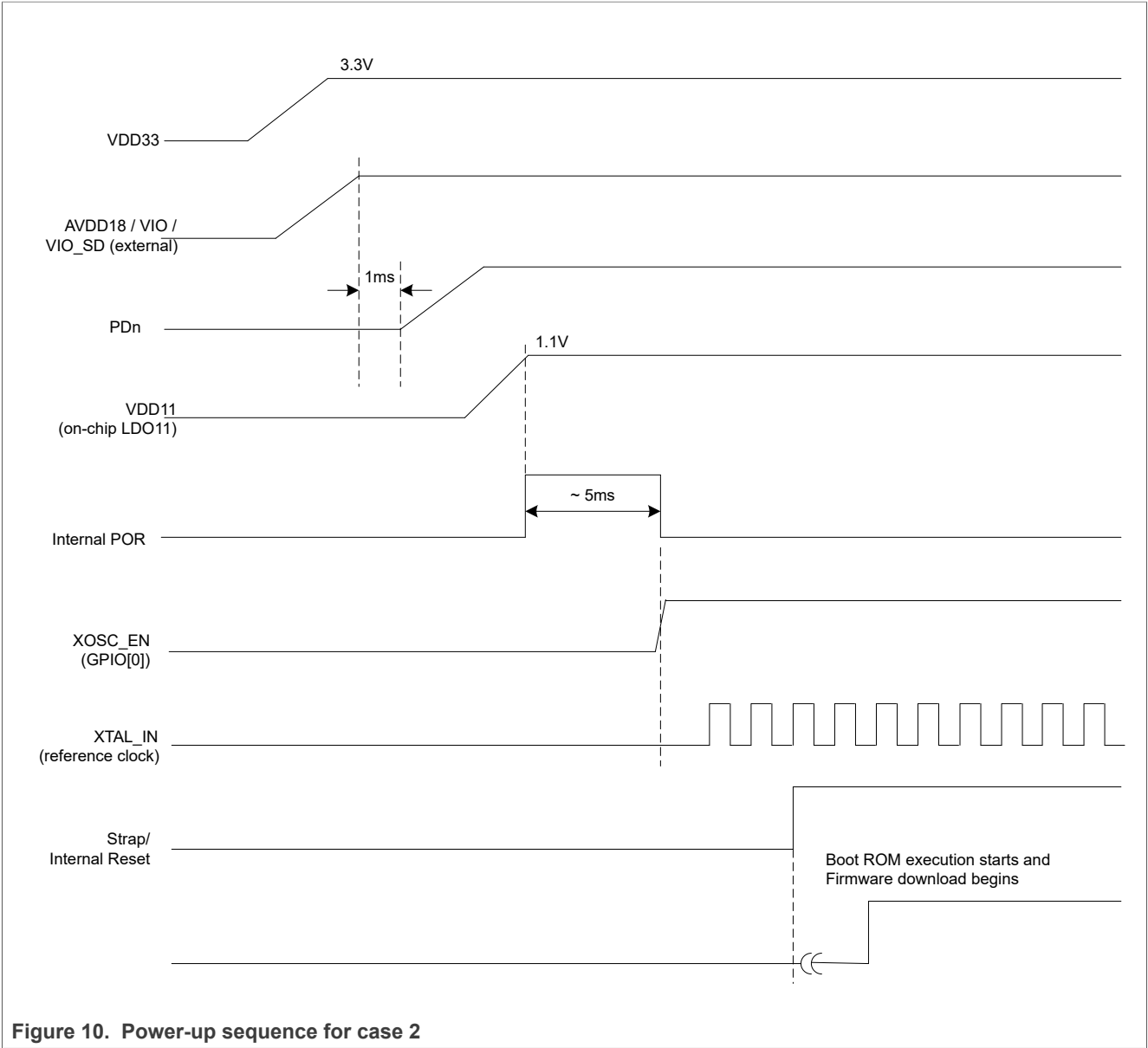


Figure 10. Power-up sequence for case 2

6 Absolute maximum ratings

Table 17. Absolute maximum ratings

Symbol	Parameter	Conditions	Min	Typ	Max	Unit
VDD11	Power supply voltage with respect to VSS	--	--	1.1	1.26	V
VIO	Power supply voltage with respect to VSS	--	--	1.8	2.2	V
			--	3.3	4.0	V
VIO_SD	Power supply voltage with respect to VSS	--	--	1.8	2.2	V
			--	3.3	4.0	V
VDD33	Power supply voltage with respect to VSS	--	--	3.3	4.0	V
AVDD18	Power supply voltage with respect to VSS	--	--	1.8	1.98	V
AVDD33	Power supply voltage with respect to VSS	--	--	3.3	4.0	V
T _{STORAGE}	Storage temperature	--	-55	--	+125	°C
V _{ESD}	electrostatic discharge voltage	human body model (HBM) ^[1]	-2	--	+2	kV
		charged device model (CDM) ^[2]	-500	--	+500	V

[1] According to JESD22-A114F

[2] According to JESD22-C101E

7 Recommended operating conditions

Table 18. Recommended operating conditions

Symbol	Parameter	Condition	Min	Typ	Max	Unit
VDD11	1.1V core power supply	--	--	1.1	1.21	V
VIO	1.8V/3.3V digital I/O power supply	--	1.62	1.8	1.98	V
		--	2.97	3.3	3.63	V
VIO_SD	1.8V/3.3V digital I/O SDIO power supply	--	1.62	1.8	1.98	V
		--	2.97	3.3	3.63	V
VDD33	3.3V I/O power supply	--	2.97	3.3	3.63	V
AVDD18	1.8V analog power supply	--	1.71	1.8	1.89	V
AVDD33	3.3V analog power supply	--	2.97	3.3	3.63	V
T _A	Ambient operating temperature	Commercial	0	--	70	°C
		Extended	-30	--	85	°C
		Industrial	-40	--	85	°C
T _J	Maximum junction temperature	--	--	--	125	°C

8 Electrical specifications

8.1 GPIO interface specifications

8.1.1 VIO DC characteristics

8.1.1.1 VIO DC characteristics - 1.8V operation

Table 19. DC electricals—1.8V operation (VIO)

Symbol	Parameter	Condition	Min	Typ	Max	Unit
V _{IH}	Input high voltage	--	0.7*VIO	--	VIO+0.4	V
V _{IL}	Input low voltage	--	-0.4	--	0.3*VIO	V
V _{HYS}	Input hysteresis	--	100	--	--	mV
V _{OH}	Output high voltage	--	VIO-0.4	--	--	V
V _{OL}	Output low voltage	--	--	--	0.4	V

8.1.1.2 VIO DC characteristics - 3.3V operation

Table 20. DC electricals—3.3V operation (VIO)

Symbol	Parameter	Condition	Min	Typ	Max	Unit
V _{IH}	Input high voltage	--	0.7*VIO	--	VIO+0.4	V
V _{IL}	Input low voltage	--	-0.4	--	0.3*VIO	V
V _{HYS}	Input hysteresis	--	100	--	--	mV
V _{OH}	Output high voltage	--	VIO-0.4	--	--	V
V _{OL}	Output low voltage	--	--	--	0.4	V

8.2 RF front-end control interface specifications

Table 21. DC electricals—3.3V operation (VDD33)

Symbol	Parameter	Condition	Min	Typ	Max	Unit
V _{IH}	Input high voltage	--	0.7*VDD33	--	VDD33+0.4	V
V _{IL}	Input low voltage	--	-0.4	--	0.3*VDD33	V
V _{HYS}	Input hysteresis	--	100	--	--	mV
V _{OH}	Output high voltage	--	VDD33-0.4	--	--	V
V _{OL}	Output low voltage	--	--	--	0.4	V

8.3 Wi-Fi radio specifications

8.3.1 Wi-Fi radio performance measurement

The Wi-Fi transmit/receive performance is measured either at the antenna port or at the chip output port.

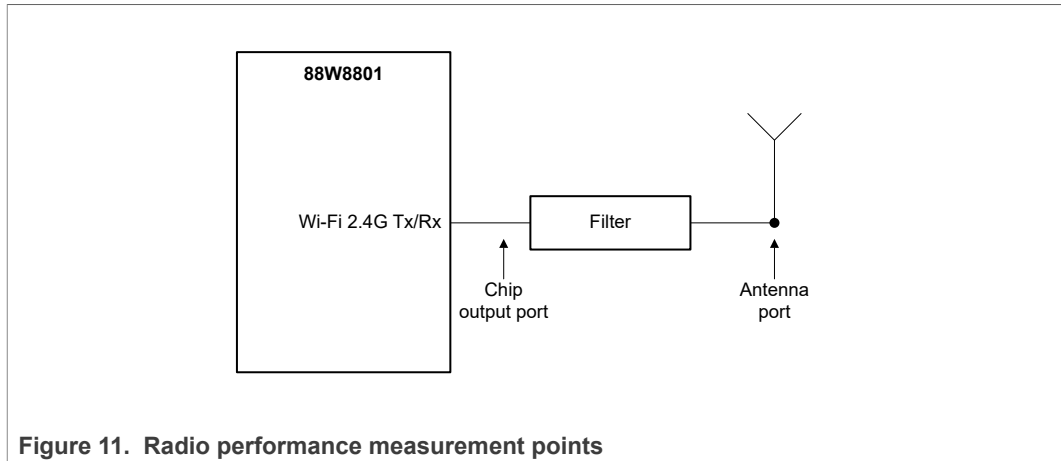


Figure 11. Radio performance measurement points

8.3.2 Wi-Fi receiver performance

Note: Unless otherwise stated, all specifications are at 25°C, typical voltage, across frequency range, and at the chip output port. See [Section 7 "Recommended operating conditions"](#) for typical voltage levels.

Table 22. Wi-Fi receiver performance

Parameter	Condition	Min	Typ	Max	Unit
RF frequency range	2.4 GHz—IEEE 802.11n/g/b	2400	--	2500	MHz
Receiver input IP3 at RF high gain (In-band)	Rx input IP3 when LNA in high gain mode (24 dB) at chip input	--	-15	--	dBm
Receiver sensitivity 802.11b	1 Mbit/s	--	-98	--	dBm
	2 Mbit/s	--	-95	--	dBm
	5.5 Mbit/s	--	-92	--	dBm
	11 Mbit/s	--	-89	--	dBm
Receiver sensitivity 802.11g	6 Mbit/s	--	-91	--	dBm
	9 Mbit/s	--	-90	--	dBm
	12 Mbit/s	--	-88	--	dBm
	18 Mbit/s	--	-86	--	dBm
	24 Mbit/s	--	-83	--	dBm
	36 Mbit/s	--	-80	--	dBm
	48 Mbit/s	--	-75	--	dBm
	54 Mbit/s	--	-74	--	dBm
Receiver sensitivity 802.11n - HT20	MCS0	--	-91	--	dBm
	MCS1	--	-88	--	dBm
	MCS2	--	-86	--	dBm
	MCS3	--	-84	--	dBm
	MCS4	--	-80	--	dBm
	MCS5	--	-76	--	dBm
	MCS6	--	-74	--	dBm
	MCS7	--	-72	--	dBm

8.3.3 Wi-Fi transmitter performance

Note: Unless otherwise stated, all specifications are at 25°C, typical voltage, across frequency range, and at chip output port. See [Section 7 "Recommended operating conditions"](#) for typical voltage levels.

Table 23. Wi-Fi transmitter performance

Parameter	Condition	Min	Typ	Max	Unit
RF frequency range	2.4 GHz—IEEE 802.11n/g/b	2400	--	2500	MHz
Transmit output saturation power at chip output port	2.4 GHz—IEEE 802.11n/g/b	--	26	--	dBm
Transmit carrier suppression (CW)	--	--	-36	--	dB
Transmit I/Q suppression with IQ calibration	--	--	-45	--	dBc
Transmit power (EVM and mask compliant) 20MHz	802.11b	--	19	--	dBm
	OFDM 64-QAM (MCS7)	--	17	--	dBm
Transmit carrier suppression (modulated signal)	802.11g OFDM 54 Mbit/s, at 16dBm	--	29	--	dB

8.3.4 Local oscillator

Table 24. Local oscillator

Parameter	Condition	Min	Typ	Max	Unit
Phase noise	Measured at 2.438 GHz, at 100kHz offset	--	-103	--	dBc/Hz
Integrated RMS phase noise at RF output (from 1 kHz–10 MHz)	Reference clock frequency= 26MHz or 38.4MHz (2.4GHz)	--	0.6	--	degree
Frequency resolution	--	0.02	--	--	kHz

8.4 Current consumption

Note: Unless otherwise stated, all specifications are at 25°C, nominal voltage, across frequency and typical value. The power consumption data was collected with SDIO interface configuration.

Table 25. Current consumption

Mode	Conditions	3.3V	Unit
Sleep mode	Wi-Fi in deep sleep mode	0.14	mA
IEEE power save (average) ^[1] (Beacon interval: 100 msec)	DTIM-1	1.28	mA
	DTIM-3	0.53	mA
	DTIM-5	0.37	mA
Wi-Fi receive	802.11b, 11 Mbit/s	68	mA
	802.11g, 54 Mbit/s	74	mA
	802.11n, HT20 MCS7	82	mA
Wi-Fi transmit	802.11b, 11 Mbit/s at 18 dBm	359	mA
	802.11g, 54 Mbit/s at 15 dBm	290	mA
	802.11n, HT20 MCS7 at 13 dBm	285	mA

[1] Measured using the internal LDO

8.5 SDIO host interface specifications

8.5.1 VIO_SD DC characteristics

8.5.1.1 VIO_SD DC characteristics - 1.8V operation

Table 26. DC electricals—1.8V operation (VIO_SD)

Symbol	Parameter	Condition	Min	Typ	Max	Unit
V _{IH}	Input high voltage	--	0.7*VIO_SD	--	VIO_SD+0.4	V
V _{IL}	Input low voltage	--	-0.4	--	0.3*VIO_SD	V
V _{HYS}	Input hysteresis	--	100	--	--	mV
V _{OH}	Output high voltage	--	VIO_SD-0.4	--	--	V
V _{OL}	Output low voltage	--	--	--	0.4	V

8.5.1.2 VIO_SD DC characteristics - 3.3V operation

Table 27. DC electricals—3.3V operation (VIO_SD)

Symbol	Parameter	Condition	Min	Typ	Max	Unit
V _{IH}	Input high voltage	--	0.7*VIO_SD	--	VIO_SD+0.4	V
V _{IL}	Input low voltage	--	-0.4	--	0.3*VIO_SD	V
V _{HYS}	Input hysteresis	--	100	--	--	mV
V _{OH}	Output high voltage	--	VIO_SD-0.4	--	--	V
V _{OL}	Output low voltage	--	--	--	0.4	V

8.5.2 SDIO host interface specifications

The 88W8801 SDIO host interface pins are powered from the VIO_SD voltage supply.

See the specifications in [Section 8.5.1 "VIO_SD DC characteristics"](#).

The SDIO electrical specifications are identical for the 1-bit SDIO and 4-bit SDIO modes.

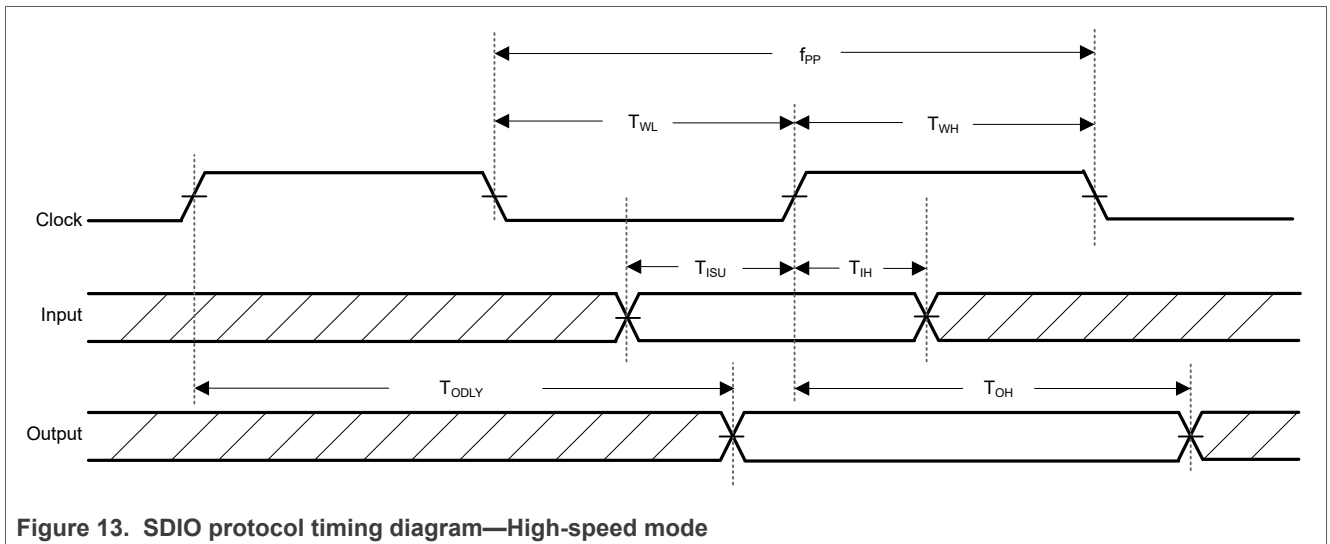
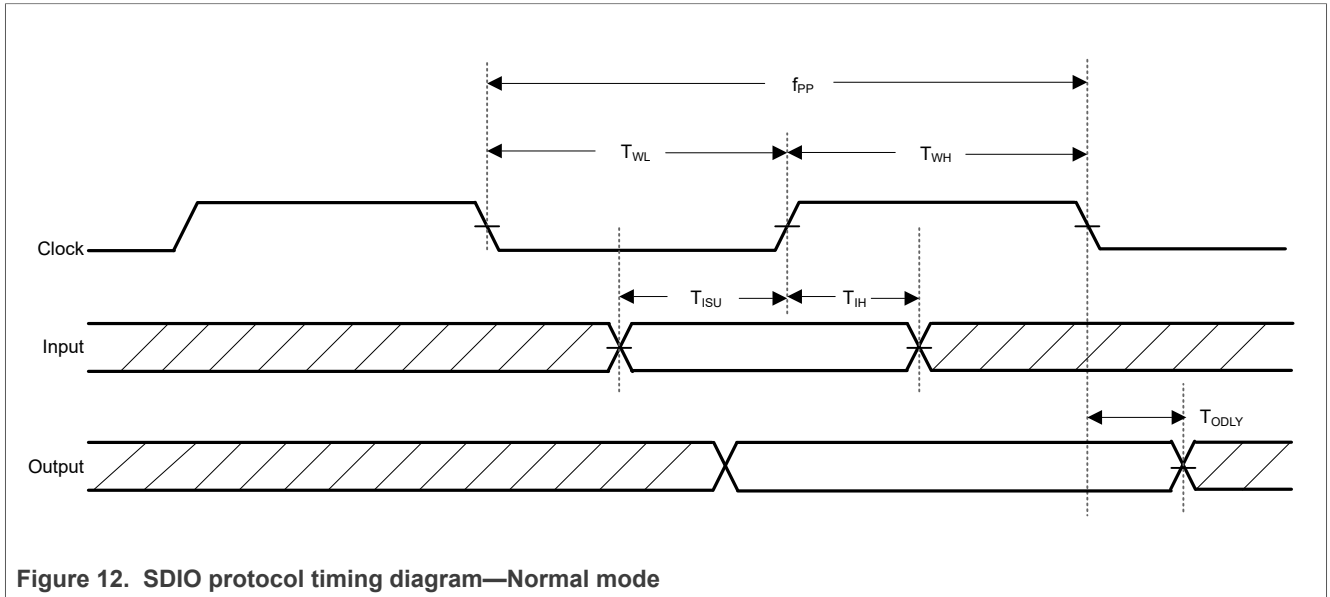


Table 28. SDIO timing data^[1]

Over full range of values specified in the Recommended Operating Conditions unless otherwise specified.

Symbol	Parameter	Condition	Min	Typ	Max	Unit
f _{PP}	Clock frequency	Normal	0	--	25	MHz
		High-speed	0	--	50	MHz
T _{WL}	Clock low time	Normal	10	--	--	ns
		High-speed	7	--	--	ns
T _{WH}	Clock high time	Normal	10	--	--	ns
		High-speed	7	--	--	ns
T _{ISU}	Input setup time	Normal	5	--	--	ns
		High-speed	6	--	--	ns
T _{IH}	Input hold time	Normal	5	--	--	ns
		High-speed	2	--	--	ns
T _{ODLY}	Output delay time	Normal	--	--	14	ns
		High-speed	--	--	14	ns
T _{OH}	Output hold time	High-speed	2.5	--	--	ns

[1] The SDIO-SPI CS signal timing is identical to all other SDIO inputs.

8.6 USB 2.0 host interface specifications

The USB 2.0 host interface pins are powered by AVDD33 voltage supply.

Table 29. Electrical characteristics

Over full range of values specified in the Recommended Operating Conditions unless otherwise specified.

Symbol	Parameter	Conditions	Min	Typ	Max	Unit
Supply current						
I _{CCHPF}	High-power function	--	--	--	500	mA
I _{CCLPF}	Low-power function	--	--	--	100	mA
I _{CCINIT}	Unconfigured function	--	--	--	100	mA
I _{CCSH}	Suspended high-power device	--	--	--	2.5	mA
I _{CCSL}	Suspended low-power device	--	--	--	500	µA
Input levels for low/full-speed						
V _{IH}	Input high voltage (driven)	--	2.0	--	--	V
V _{IHZ}	Input high voltage (floating)	--	2.7	--	3.6	V
V _{IL}	Input low voltage	--	--	--	0.8	V
V _{DI}	Differential input sensitivity	--	0.2	--	--	V
V _{CM}	Differential common mode range	--	0.8	--	2.5	V
Input levels for high-speed						
V _{HSSQ}	High-speed squelch detection threshold (differential signal amplitude)	--	100	--	150	mV
V _{HSDSC}	High-speed disconnect detection threshold (differential signal amplitude)	--	525	--	625	mV
--	High-speed differential input signaling levels	Specified by eye pattern templates; see Section 7.1.7.2 in the USB 2.0 specification.	--	--	--	--
V _{HSCM}	High-speed data signaling common mode voltage range	--	-50	--	500	mV
Output levels for low/full-speed						
V _{OL}	Output low voltage	--	0.0	--	0.3	V
V _{OH}	Output high voltage (driven)	--	2.8	--	3.6	V
V _{OSE1}	Output SE1 voltage	--	0.8	--	--	V
V _{CRS}	Output signal crossover voltage	--	1.3	--	2.0	V

Table 29. Electrical characteristics...continued

Over full range of values specified in the Recommended Operating Conditions unless otherwise specified.

Symbol	Parameter	Conditions	Min	Typ	Max	Unit
Output levels for high-speed						
V _{HSOI}	High-speed idle level	--	-10.0	--	10.0	mV
V _{HSOH}	High-speed data signaling high	--	360	--	440	mV
V _{HSOL}	High-speed data signaling low	--	-10.0	--	10.0	mV
V _{CHIRPJ}	Chirp J level (differential voltage)	--	700	--	1100	mV
V _{CHIRPK}	Chirp K level (differential voltage)	--	-900	--	-500	mV
Decoupling capacitance						
C _{RPB}	Upstream facing port bypass capacitance	--	1.0	--	10.0	μF
Input capacitance for low/full-speed						
C _{INUB}	Upstream facing port capacitance (without cable)	--	--	--	100	pF
C _{EDGE}	Transceiver edge rate control capacitance	--	--	--	75	pF
Input impedance for high-speed						
--	TDR spec for high-speed termination	Differential impedance	80	--	100	W
Terminations						
R _{PUI}	Bus pull-up resistor on upstream port (idles bus)	--	0.900	--	1.575	kΩ
R _{PUA}	Bus pull-up resistor on upstream port (receiving)	--	1.425	--	3.090	kΩ
Z _{INP}	Input impedance exclusive of pull-up/pull-down (for low/full-speed)	--	300	--	--	kΩ
V _{TERM}	Termination voltage for upstream facing port pull-up resistor (R _{PUI})	--	3.0	--	3.6	V
Terminations in high-speed						
V _{HSTERM}	Termination voltage in high-speed	--	-10	--	10	mV

Table 30. High-speed source electrical characteristics

Over full range of values specified in the Recommended Operating Conditions unless otherwise specified.

Symbol	Parameter	Conditions	Min	Typ	Max	Unit
Driver characteristics						
T _{H_{SR}}	Rise Time (10% - 90%)	--	500	--	--	ps
T _{H_{SF}}	Fall Time (10% - 90%)	--	500	--	--	ps
--	Driver waveform requirements	Specified by eye pattern templates in Section 7.1.2 in the USB 2.0 specification.	--	--	--	--
Z _{H_S-DRV}	Driver output resistance (also serves as high-speed termination)	--	40.5	--	49.5	W
Clock timings						
T _{H_SDRAT}	High-speed data rate	--	479.760	--	480.240	Mb/s
T _{H_SFRAM}	Microframe interval	--	124.9375	--	125.0625	μs
T _{H_SRFI}	Consecutive microframe interval difference	--	--	--	4 high-speed bit times	--
High-speed data timings						
--	Data source jitter	Specified by eye pattern templates in Section 7.1.2.2 in the USB 2.0 specification.	--	--	--	--
--	Receiver jitter tolerance	Specified by eye pattern templates in Section 7.1.2.2 in the USB 2.0 specification.	--	--	--	--

Table 31. Full-speed source electrical characteristics

Over full range of values specified in the Recommended Operating Conditions unless otherwise specified.

Symbol	Parameter	Conditions	Min	Typ	Max	Unit
Driver characteristics						
T _{FR}	Rise time	--	4	--	20	ns
T _{FF}	Fall time	--	4	--	20	ns
T _{FRFM}	Differential rise and fall time matching	T _{FR} /T _{FF}	90	--	111.11	%
Clock timing						
T _{FDRATHS}	Full-speed data rate	Average bit rate	11.9940	--	12.0060	Mb/s
T _{FDRATE}	Frame interval	--	0.9995	--	1.00005	ms
T _{RFI}	Consecutive frame interval difference	No clock adjustment	--	--	42	ms
Full-speed data timing						
T _{DJ1}	Source jitter total to next transition (including frequency tolerance)	--	-3.5	--	3.5	ns
T _{DJ2}	Source jitter total for paired transitions (including frequency tolerance)	--	-4	--	4	ns
T _{FDEOP}	Source jitter for differential transition to SE0 transition	--	-2	--	5	ns
T _{JR1}	Receiver jitter to next transition	--	-18.5	--	18.5	ns
T _{JR2}	Receiver jitter to next transition	--	-9	--	9	ns
T _{FEOPT}	Source SE0 interval of EOP	--	160	--	175	ns
T _{FEOPR}	Receiver SE0 interval of EOP	--	82	--	--	ns
T _{FST}	Width of SE0 interval during differential transition	--	--	--	14	ns

Table 32. Device event timing characteristics

Over full range of values specified in the Recommended Operating Conditions unless otherwise specified.

Symbol	Parameter	Conditions	Min	Typ	Max	Unit
T _{SIGATT}	Time from internal power good to device pulling D +/D- beyond V _{IHZ} (min) (signaling attach)	--	--	--	100	ms
T _{ATTDB}	Debounce interval provided by USB system software after attach	--	--	--	100	ms
T _{2SUSP}	Maximum time a device can draw power > suspend power when bus is continuously in idle state	--	--	--	10	ms
T _{SUSAVGI}	Maximum duration of suspend averaging interval	--	--	--	1	s
T _{WTRSM}	Period of idle bus before device can initiate resume	Device must be remote-wake-up enabled	5	--	--	ms
T _{DRSMUP}	Duration of driving resume upstream	--	1	--	15	ms
T _{RSMCY}	Resume recovery time	Provided by USB system software	10	--	--	ms
T _{RSTRCY}	Reset recovery time	--	--	--	10	ms
T _{IPD}	Inter-packet delay (for low/full-speed)	--	2	--	--	bit times
T _{RSPDP1}	Inter-packet delay for device response with detachable cable for low/full-speed	--	--	--	6.5	bit times
T _{RSPDP2}	Inter-packet delay for device response with captive cable for low/full-speed	--	--	--	7.5	bit times
T _{DSETADDR}	SetAddress() completion time	--	--	--	50	ms
T _{DRQCMLTND}	Time to complete standard request with no data	--	--	--	50	ms
T _{DRETDATA1}	Time to deliver first and subsequent (except last) data for standard request	--	--	--	500	ms
T _{DRETDATAN}	Time to deliver last data for standard request	--	--	--	50	ms
T _{HSRSPDP2}	Inter-packet delay for device response with captive cable (high-speed)	--	--	--	192 bit times + 52 ns	--
Reset Handshake Protocol						

Table 32. Device event timing characteristics...continued

Over full range of values specified in the Recommended Operating Conditions unless otherwise specified.

Symbol	Parameter	Conditions	Min	Typ	Max	Unit
F _{FILTSE0}	Time for which a suspended high-speed capable device must see a continuous SE0 before beginning the high-speed detection handshake	--	2.5	--	--	μs
T _{WTRSTFS}	Time for which a high-speed capable device operating in non-suspended full-speed must wait after start of SE0 before beginning the high-speed detection handshake	--	2.5	--	3000	μs
T _{WTREV}	Time for which a high-speed capable device operating in high-speed must wait after start of SE0 before reverting to full-speed	--	3.0	--	3.125	ms
T _{WTRSTHS}	Time for which a device must wait after reverting to full-speed before sampling the bus state for SE0 and beginning the high-speed detection handshake	--	100	--	875	μs
T _{UCH}	Minimum duration of a Chirp K from a high-speed capable device within the reset protocol	--	1.0	--	--	ms
T _{UCHEND}	Time after start of SE0 by which a high-speed capable device is required to have completed its Chirp K within the reset protocol	--	--	--	7.01	ms
T _{WTHS}	Time after end of upstream chirp at which device enters the high-speed default state if downstream chirp is detected	--	--	--	500	μs
T _{WTFS}	Time after end of upstream chirp at which device reverts to full-speed default stat if no down-stream chirp is detected	--	1.0	--	2.5	ms

Table 33. LPM timing characteristics

Symbol	Parameter	Conditions	Min	Typ	Max	Unit
TL1 _{Residency}	L1 residency	--	50	--	>50	μs
TL1 _{TokenRetry}	Device delay before transitioning to L1 after transmitting ACK	--	8	--	10	μs
TL1 _{HubDrvResume1}	Host initiated L1 exit host drives resume time	--	50 ±1	--	1200 ±1	μs
TL1 _{DevDrvResume}	Device initiated L1 exit Device drives resume time	--	50 ±1	--	--	μs
TL1 _{ExitDevRecovery}	L1 exit device recovery time	--	10	--	--	μs
TL1 _{ExitLatency1}	L1 exit latency (host initiated)	--	60	--	1210	μs
TL1 _{ExitLatency2}	L1 exit latency (device initiated)	--	70	--	1000	μs

8.7 Clock interface specifications

8.7.1 Single-ended clock input mode

Table 34. CMOS mode^[1]

Symbol	Parameter	Condition	Min	Typ	Max	Unit
V _{IH}	Input high voltage	--	AVDD18 - 0.5	AVDD18	1.98	V
V _{IL}	Input low voltage	--	0	0	0.4	V

[1] Typical input capacitance is approximately 2 pF and input resistance is >20 kΩ.

Table 35. Phase noise—2.4 GHz operation

Parameter	Test Conditions	Min	Typ	Max	Unit
F _{ref} = 26 MHz	Offset = 1 kHz	--	--	-126	dBc/Hz
	Offset = 10 kHz	--	--	-137	dBc/Hz
	Offset = 100 kHz	--	--	-143	dBc/Hz
	Offset > 1 MHz	--	--	-143	dBc/Hz
F _{ref} = 38.4 MHz	Offset = 1 kHz	--	--	-123	dBc/Hz
	Offset = 10 kHz	--	--	-134	dBc/Hz
	Offset = 100 kHz	--	--	-140	dBc/Hz
	Offset > 1 MHz	--	--	-140	dBc/Hz

8.7.2 Crystal specifications

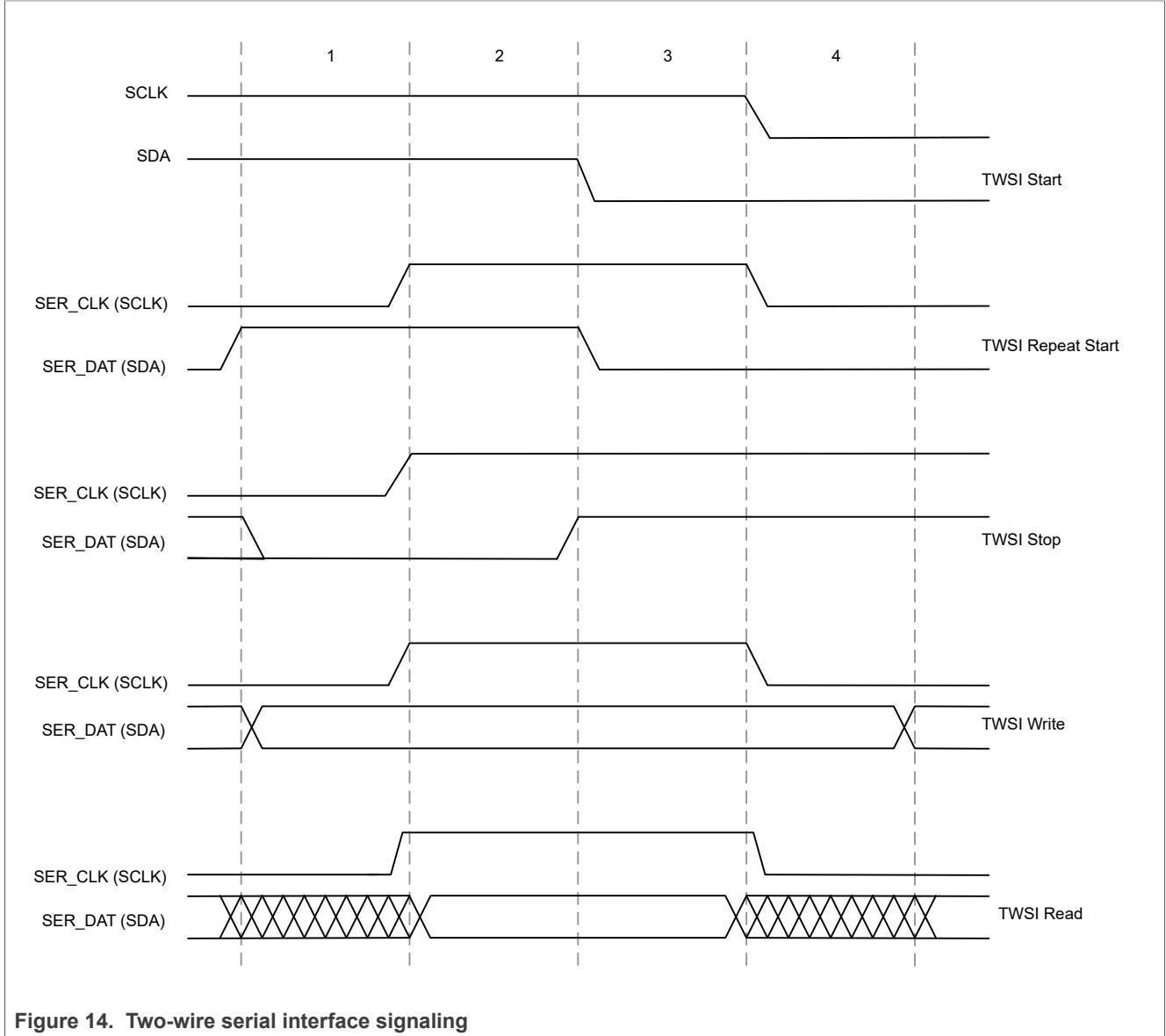
Table 36. Crystal specifications

Parameter	Conditions	Min	Typical	Min	Unit
Fundamental frequencies	--	--	26, 38.4	--	MHz
Frequency tolerance	Over operating temperature	--	< ±10	--	ppm
	Over process at 25°C	--	< ±10	--	ppm
SMD and AT cut height	--	--	<1.2	--	mm
Load capacitor	--	--	10	--	pF
Maximum series resistance	--	--	60	--	Ω
Resonance mode	--	--	A1, Fundamental	--	--

8.8 Two-wire serial interface specifications

The 2-wire serial interface pins are powered by the VIO voltage supply.

See the specifications in [Section 8.1.1 "VIO DC characteristics"](#).



8.9 UART (debug) interface specifications

The UART pins are powered by the VIO voltage supply.

See the specifications in [Section 8.1.1 "VIO DC characteristics"](#).

8.10 JTAG interface specifications

The JTAG test interface pins are powered by VIO voltage supply.

See the specifications in [Section 8.1.1 "VIO DC characteristics"](#).

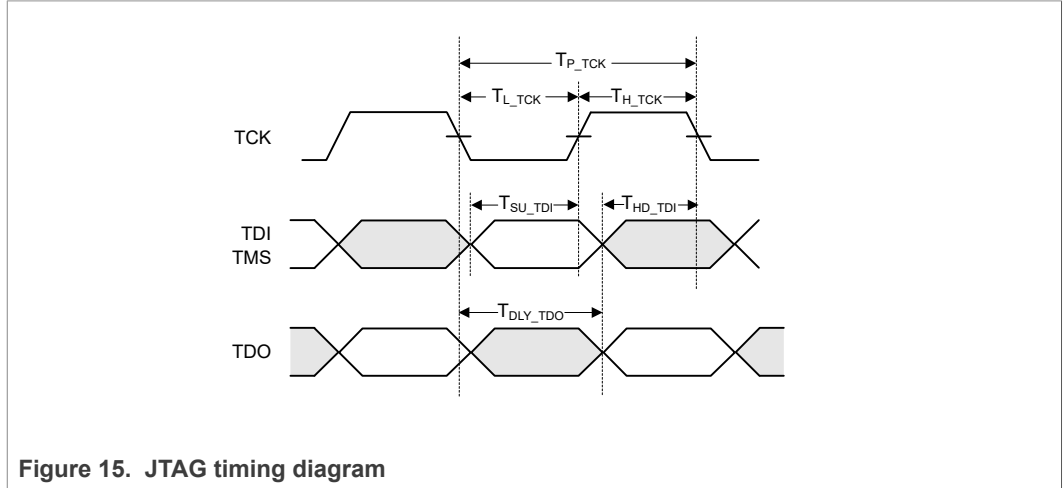


Figure 15. JTAG timing diagram

Table 37. JTAG timing data^[1]

Over full range of values specified in the Recommended Operating Conditions unless otherwise specified.

Symbol	Parameter	Conditions	Min	Typ	Max	Unit
TP_TCK	TCK period	--	40	--	--	ns
TH_TCK	TCK high	--	12	--	--	ns
TL_TCK	TCK low	--	12	--	--	ns
TSU_TDI	TDI, TMS to TCK setup time	--	10	--	--	ns
THD_TDI	TDI, TMS to TCK hold time	--	10	--	--	ns
TDLY_TDO	TCK to TDO delay	--	0	--	15	ns

[1] Does not apply to CPU JTAG enabled by the TMS_CPU pin.

9 Package information

9.1 Package thermal conditions

Table 38. Thermal conditions—QFN

Symbol	Parameter	Conditions	Typ	Unit
θ_{JA}	Thermal resistance Junction to ambient of package. $\theta_{JA} = (T_J - T_A) / P$ P = total power dissipation	JEDEC 3 x 4.5 inch, 4-layer PCB no air flow	34.6	°C/W
		JEDEC 3 x 4.5 inch, 4-layer PCB 1 meter/sec air flow	33.9	°C/W
		JEDEC 3 x 4.5 inch, 4-layer PCB 2 meter/sec air flow	32.8	°C/W
		JEDEC 3 x 4.5 inch, 4-layer PCB 3 meter/sec air flow	32.3	°C/W
Ψ_{JT}	Thermal characteristic parameter ¹ Junction to top center of package. $\Psi_{JT} = (T_J - T_{TOP}) / P$ T _{TOP} = temperature on top center of package	JEDEC 3 x 4.5 inch, 4-layer PCB no air flow	9.4	°C/W
Ψ_{JB}	Thermal characteristic parameter ¹ Junction to top center of package. $\Psi_{JT} = (T_J - T_B) / P$ T _B = power dissipation from top center of package	JEDEC 3 x 4.5 inch, 4-layer PCB no air flow	21.4	°C/W
θ_{JC}	Thermal resistance ¹ Junction to case of the package $\theta_{JC} = (T_J - T_C) / P_{TOP}$ P _{TOP} = power dissipation from top of package	JEDEC 3 x 4.5 inch, 4-layer PCB no air flow	23.4	°C/W
θ_{JB}	Thermal resistance ¹ Junction to board of package $\theta_{JB} = (T_J - T_B) / P_{bottom}$ P _{bottom} = power dissipation from bottom of package to PCB surface	JEDEC 3 x 4.5 inch, 4-layer PCB no air flow	21.5	°C/W

9.2 Package mechanical drawing

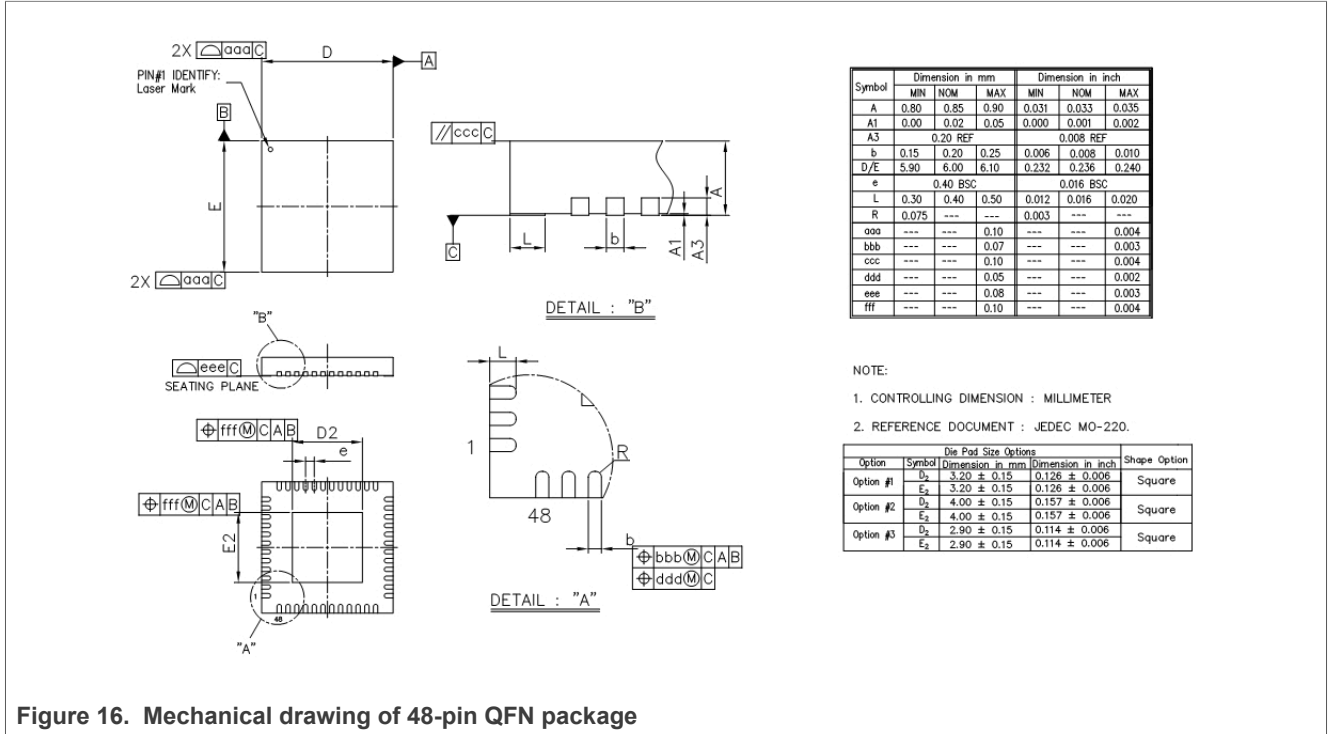
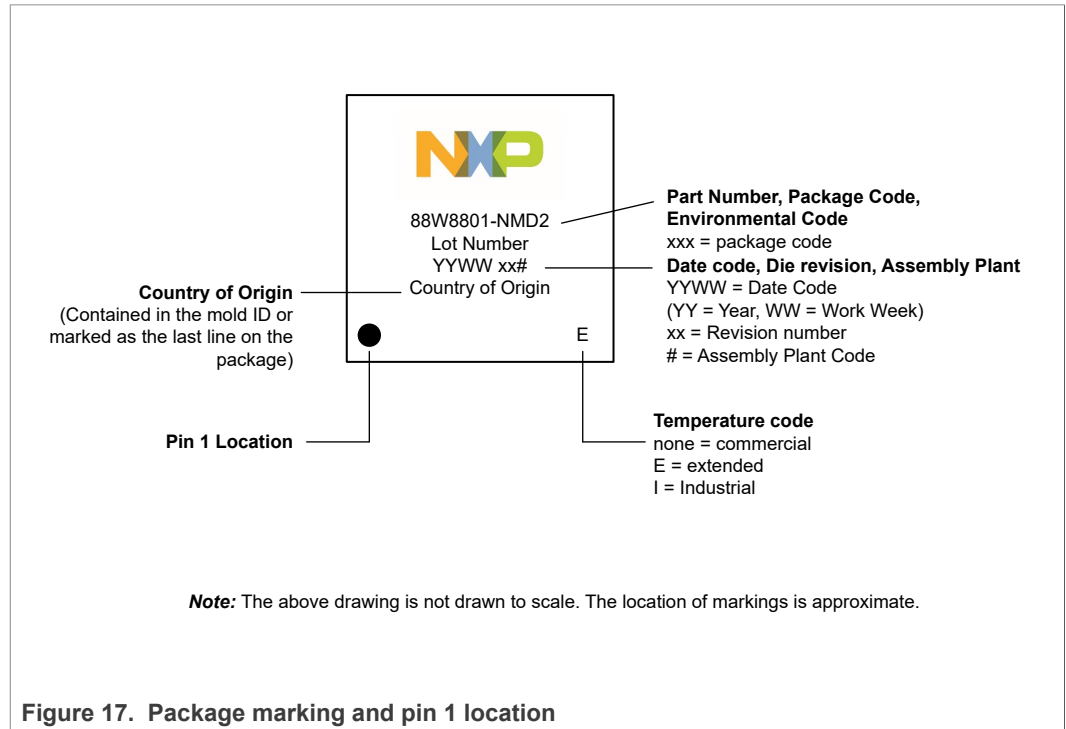


Figure 16. Mechanical drawing of 48-pin QFN package

- The QFN package uses Epad size Option #2 only. See [Section 9.1 "Package thermal conditions"](#) and [Section 9.3 "Package marking"](#).

9.3 Package marking

Figure 17 shows the marking and pin 1 location for 88W8801 parts.



10 Acronyms and abbreviations

Table 39. Acronyms and abbreviations

Acronym	Definition
A2DP	Advanced Audio Distribution Profiles
ABR	Automatic Baud Rate
ACK	Acknowledgment
ADAS	Advanced Driver Assistance Systems
ADC	Analog-to-Digital Converter
AES	Advanced Encryption Standard
AFC	Automatic Frequency Correction
AFH	Adaptive Frequency Hopping
AGC	Automatic Gain Control
AIFS	Arbitration Interframe Space
AoA	Angle of Arrival
AoD	Angle of Departure
AP	Access Point
APB	Advanced Peripheral Bus
API	Application Program Interface
aQFN	Advanced Quad Flat Non-leaded Package
ARM	Advanced RISC Machine
ATIM	Announcement Traffic Indication Message
BAMR	Base Address Mask Register
BAR	Base Address Register
BBU	Baseband Processor Unit
BCB	Benzocyclobutene (flip chip bump process)
BDR	Basic Data Rate
BER	Bit Error Rate
BOM	Bill of Materials
BR	Baud Rate
BSS	Basic Service Set
BSSID	Basic Service Set Identifier
BTU	Bluetooth Baseband Unit
BRF	Bluetooth RF Unit
BWQ	Bandwidth Queue
CBC	Cipher Block Chaining
CBP	Contention-Based Period
CCA	Clear Channel Assessment

Table 39. Acronyms and abbreviations...continued

Acronym	Definition
CCK	Complementary Code Keying
CCMP	Counter Mode CBC-MAC Protocol
CDE	Close Descriptor Enable
CFP	Contention-Free Period
CFQ	Contention-Free Queue
CID	Connection Identifier
CIS	Card Information Structure
CIU	CPU Interface Unit
CMD	Command
CMQ	Control Management Queue
CRC	Cyclic Redundancy Check
CS	Card Select
CSMA/CA	Carrier Sense Multiple Access / Collision Avoidance
CSMA/CD	Carrier Sense Multiple Access / Collision Detection
CSU	Clocked Serial Unit
CTS	Clear to Send
DAC	Digital-to-Analog Converter
DBPSK	Differential Binary Phase Shift Keying
DCD	Device Controller Driver
DCE	Data Communication Equipment
DCF	Distributed Coordination Function
DCLA	Direct Current Level Adjustment
DCLB	Digital Contactless Bridge
DCU	DMA Controller Unit
DFS	Dynamic Frequency Selection
DIFS	Distributed Interframe Space
DMA	Direct Memory Access
dQH	Device Queue Head
DQPSK	Differential Quadrature Phase Shift Keying
DSM	Distribution System Medium
DSP	Digital Signal Processor
DSRC	Dedicated Short Range Communications
dTD	Linked List Transfer Descriptors
DTIM	Delivery Traffic Indication Message
DVSC	Digital Voltage Scaling Control
EAP	Extensible Authentication Protocol

Table 39. Acronyms and abbreviations...continued

Acronym	Definition
EBRAM	Extended Block Random Access Memory
ED	Energy Detect
EDCA	Enhanced Distributed Channel Access
EEPROM	Electrically Erasable Programmable Read Only Memory
EIFS	Extended Interframe Space
EMC	Electromagnetic Compatibility
ERP-OFDM	Extended Rate PHY-Orthogonal Frequency Division Multiplexing
ETSI	European Telecommunications Standards Institute
eWLP	Embedded Wafer Level Package
FAE	Field Application Engineer
FCC	Federal Communications Commission
FIFO	First In First Out
FIPS	Federal Information Processing Standards
FIQ	Fast Interrupt Request
FW	Firmware
GATT	Generic Attribute Profile
GCMP	Galois/Counter Mode Protocol
GI	Guard Interval
GPIO	General Purpose Input/Output
GPL	General Public License
GPU	General Purpose Input/Output Unit
HID	Human Interface Device
HIU	Host Interface Unit
HOGP	HID Over GATT Profile
HSP	Hands-Free Profile
HT	High Throughput
HW	Hardware
I/Q	Inphase/Quadrature
IB	InBand
IBSS	Independent Basic Service Set
ICE	In-Circuit Emulator (or Emulation)
ICR	Interrupt Cause Register
ICU	Interrupt Controller Unit
ICV	Integrity Check Value
IE	Information Element
IEEE	Institute of Electrical and Electronics Engineers

Table 39. Acronyms and abbreviations...continued

Acronym	Definition
IEMR	Interrupt Event Mask Register
I/F	Interface
IFS	Interframe Space
IMR	Interrupt Mask Register
IPG	Inter-Packet Gap
IPsec	Internet Protocol Security
IR	Infrared
IRQ	Interrupt Request
ISA	Instruction Set Architecture
ISDN	Integrated Services Digital Network
ISM	Industrial, Scientific, and Medical
ISMR	Interrupt Status Mask Register
ISR	Interrupt Status Register
JEDEC	Joint Electronic Device Engineering Council
JTAG	Joint Test Action Group
LDPC	Low Density Parity Check
LE	Low Energy
LED	Light Emitting Diode
LME	Layer Management Entity
LNA	Low Noise Amplifier
LPM	Low Power Management
LQFN	Low Quad Flat Non-leaded
LSb	Least Significant bit
LSB	Least Significant Byte
LSP	Low-Speed Peripheral
LTE	Long Term Evolution
MAC	Media/Medium Access Controller
MC	Memory Controller
MCS	Modulation and Coding Scheme
MCU	MAC Control Unit
MDI	Modem Data Interface
MIB	Management Information Base
MIC	Message Integrity Code
MII	Media Independent Interface
MIMO	Multiple Input Multiple Output
MIPS	Million Instructions Per Second

Table 39. Acronyms and abbreviations...continued

Acronym	Definition
MLME	MAC Sublayer Management Entity
MMI	Modem Management Interface
MMPDU	MAC Management Protocol Data Unit
MMU	Memory Management Unit
MPDU	MAC Protocol Data Unit
MSb	Most Significant bit
MSB	Most Significant Byte
MSDU	MAC Service Data Unit
MU-MIMO	Multi-User MIMO
MU-PPDU	Multi-User PPDU
MWS	Mobile Wireless System Multimedia Wireless System
NAV	Network Allocation Vector
NDP	Null Data Packet
NL	No Load
NPTR	Next Descriptor Pointer
OCB	Outside the Context of a BSS
OFDM	Orthogonal Frequency Division Multiplexing
OID	Object Identifier
OOB	Out of Band
OTP	One Time Programmable
P2P	Peer-to-Peer
PA	Power Amplifier
PAD	Packet Assembler/Disassembler
PBU	Peripheral Bus Unit
PC	Point Coordinator
PCB	Printed Circuit Board
PCF	Point Coordination Function
PCI	Peripheral Component Interconnect
PCIe	PCI Express
PCM	Pulse Code Modulation
PDn	Power Down
PDU	Protocol Data Unit
PEAP	Protected EAP
PHY	Physical Layer
PIFS	Priority Interframe Space

Table 39. Acronyms and abbreviations...continued

Acronym	Definition
PLL	Phase-Locked Loop
PLME	Physical Layer Management Entity
PMU	Power Management Unit
POST	Power-On Self Test
PPDU	PHY Protocol Data Unit
PPK	Per-Packet Key
PPM	Pulse Position Modulation
PSK	Pre-Shared Keys
PTA	Packet Traffic Arbitration
PWK	Pairwise Key
QAM	Quadrature Amplitude Modulation
QFN	Quad Flat Non-leaded Package
QoS	Quality of Service
RA	Receiver Address
RBDS	Radio Broadcast Data System
RDS	Radio Data System
RF	Radio Frequency
RFID	Radio Frequency Identification
RIFS	Reduced Interframe Space
RISC	Reduced Instruction Set Computer
ROM	Read Only Memory
RSSI	Receiver Signal Strength Indication
RTS	Request to Send
RTU	General Purpose Timer Unit
RU	Resource Unit
SA	Source Address
SAP	Service Access Point
SCLK	Serial Interface Clock
SDA	Serial Interface Data
SE	Secure Element
SFD	Start of Frame Delimiter
SIFS	Short Interframe Space
SISO	Single Input Single Output
SIU	Serial Interface Unit (UART)
SJU	System/Software JTAG Controller Unit
SM	Switch Module

Table 39. Acronyms and abbreviations...continued

Acronym	Definition
SMI	Serial Management Interface
SNR	Signal-to-Noise Ratio
SO	Serial Out
SoC	System-on-Chip
SPDT	Single Pole Double Throw
SPI	Serial Peripheral Interface
SQU	Internal SRAM Unit
SRWB	Serial Interface Read Write
SS	Service Set
SSID	Service Set Identifier
STA	Station
STBC	Space-Time Block Code
SWD	Serial Wire Debug
SWP	Single Wire Protocol
TA	Transmitter Address
TBG	Time Base Generator
TBTT	Target Beacon Transmission Time
TCM	Tightly Coupled Memory
TCP/IP	Transmission Control Protocol/Internet Protocol
TCQ	Traffic Category Queue
TIM	Traffic Indication Map
TKIP	Temporal Key Integrity Protocol
TPC	Transmit Power Control
TQFP	Thin Quad Flat Pack
TRPC	Transmit Rate-based Power Control
TSC	TKIP Sequence Counter
TSF	Timing Synchronization Function
TWT	Target Wait Time
UART	Universal Asynchronous Receiver/Transmitter
UBM	Under Bump Metal
UDP	User Datagram Protocol
UNII	Unlicensed National Information Infrastructure
VCO	Voltage Controlled Oscillator
VIF	Voice Interface
VHT	Very High Throughput
WAP	Wireless Application Protocol

Table 39. Acronyms and abbreviations...continued

Acronym	Definition
WAVE	Wireless Access in Vehicular Environments
WCI-2	Wireless Coexistence Interface 2
WEP	Wired Equivalent Privacy
WI	Wired Interface
Wi-Fi	Hardware implementation of IEEE 802.11 for wireless connectivity
WLAN	Wireless Local Area Network
WMM	Wi-Fi Multimedia
WPA	Wi-Fi Protected Access
WPA2	Wi-Fi Protected Access 2
WPA2-PSK	Wi-Fi Protected Access 2-Pre-Shared Key
WPA-PSK	Wi-Fi Protect Access-Pre-Shared Key
XFQFN	Extra-Fine Quad Flat Non-leaded
XOSC	Crystal Oscillator

11 Revision history

Table 40. Revision history

Document ID	Release date	Data sheet status	Change notice	Supersedes
88W8801_SDS v.2.0	20201214	Product short data sheet	202007006F01	88W8801 v.1.0
Modifications	<ul style="list-style-type: none"> Changed 88W8801 document ID to 88W8801_SDS. Figure 17 "Package marking and pin 1 location": updated. Section 2 "Ordering information": moved to the beginning of the document (no other changes). 			
88W8801 v.1.0	20200713	Product short data sheet	-	-

12 Legal information

12.1 Data sheet status

Document status ^{[1][2]}	Product status ^[3]	Definition
Objective [short] data sheet	Development	This document contains data from the objective specification for product development.
Preliminary [short] data sheet	Qualification	This document contains data from the preliminary specification.
Product [short] data sheet	Production	This document contains the product specification.

[1] Please consult the most recently issued document before initiating or completing a design.

[2] The term 'short data sheet' is explained in section "Definitions".

[3] The product status of device(s) described in this document may have changed since this document was published and may differ in case of multiple devices. The latest product status information is available on the Internet at URL <http://www.nxp.com>.

12.2 Definitions

Draft — A draft status on a document indicates that the content is still under internal review and subject to formal approval, which may result in modifications or additions. NXP Semiconductors does not give any representations or warranties as to the accuracy or completeness of information included in a draft version of a document and shall have no liability for the consequences of use of such information.

Short data sheet — A short data sheet is an extract from a full data sheet with the same product type number(s) and title. A short data sheet is intended for quick reference only and should not be relied upon to contain detailed and full information. For detailed and full information see the relevant full data sheet, which is available on request via the local NXP Semiconductors sales office. In case of any inconsistency or conflict with the short data sheet, the full data sheet shall prevail.

Product specification — The information and data provided in a Product data sheet shall define the specification of the product as agreed between NXP Semiconductors and its customer, unless NXP Semiconductors and customer have explicitly agreed otherwise in writing. In no event however, shall an agreement be valid in which the NXP Semiconductors product is deemed to offer functions and qualities beyond those described in the Product data sheet.

12.3 Disclaimers

Limited warranty and liability — Information in this document is believed to be accurate and reliable. However, NXP Semiconductors does not give any representations or warranties, expressed or implied, as to the accuracy or completeness of such information and shall have no liability for the consequences of use of such information. NXP Semiconductors takes no responsibility for the content in this document if provided by an information source outside of NXP Semiconductors. In no event shall NXP Semiconductors be liable for any indirect, incidental, punitive, special or consequential damages (including - without limitation - lost profits, lost savings, business interruption, costs related to the removal or replacement of any products or rework charges) whether or not such damages are based on tort (including negligence), warranty, breach of contract or any other legal theory. Notwithstanding any damages that customer might incur for any reason whatsoever, NXP Semiconductors' aggregate and cumulative liability towards customer for the products described herein shall be limited in accordance with the Terms and conditions of commercial sale of NXP Semiconductors.

Right to make changes — NXP Semiconductors reserves the right to make changes to information published in this document, including without limitation specifications and product descriptions, at any time and without

notice. This document supersedes and replaces all information supplied prior to the publication hereof.

Suitability for use — NXP Semiconductors products are not designed, authorized or warranted to be suitable for use in life support, life-critical or safety-critical systems or equipment, nor in applications where failure or malfunction of an NXP Semiconductors product can reasonably be expected to result in personal injury, death or severe property or environmental damage. NXP Semiconductors and its suppliers accept no liability for inclusion and/or use of NXP Semiconductors products in such equipment or applications and therefore such inclusion and/or use is at the customer's own risk.

Applications — Applications that are described herein for any of these products are for illustrative purposes only. NXP Semiconductors makes no representation or warranty that such applications will be suitable for the specified use without further testing or modification. Customers are responsible for the design and operation of their applications and products using NXP Semiconductors products, and NXP Semiconductors accepts no liability for any assistance with applications or customer product design. It is customer's sole responsibility to determine whether the NXP Semiconductors product is suitable and fit for the customer's applications and products planned, as well as for the planned application and use of customer's third party customer(s). Customers should provide appropriate design and operating safeguards to minimize the risks associated with their applications and products. NXP Semiconductors does not accept any liability related to any default, damage, costs or problem which is based on any weakness or default in the customer's applications or products, or the application or use by customer's third party customer(s). Customer is responsible for doing all necessary testing for the customer's applications and products using NXP Semiconductors products in order to avoid a default of the applications and the products or of the application or use by customer's third party customer(s). NXP does not accept any liability in this respect.

Limiting values — Stress above one or more limiting values (as defined in the Absolute Maximum Ratings System of IEC 60134) will cause permanent damage to the device. Limiting values are stress ratings only and (proper) operation of the device at these or any other conditions above those given in the Recommended operating conditions section (if present) or the Characteristics sections of this document is not warranted. Constant or repeated exposure to limiting values will permanently and irreversibly affect the quality and reliability of the device.

Terms and conditions of commercial sale — NXP Semiconductors products are sold subject to the general terms and conditions of commercial sale, as published at <http://www.nxp.com/profile/terms>, unless otherwise agreed in a valid written individual agreement. In case an individual agreement is concluded only the terms and conditions of the respective agreement shall apply. NXP Semiconductors hereby expressly objects to applying the customer's general terms and conditions with regard to the purchase of NXP Semiconductors products by customer.

No offer to sell or license — Nothing in this document may be interpreted or construed as an offer to sell products that is open for acceptance or the grant, conveyance or implication of any license under any copyrights, patents or other industrial or intellectual property rights.

Quick reference data — The Quick reference data is an extract of the product data given in the Limiting values and Characteristics sections of this document, and as such is not complete, exhaustive or legally binding.

Export control — This document as well as the item(s) described herein may be subject to export control regulations. Export might require a prior authorization from competent authorities.

Non-automotive qualified products — Unless this data sheet expressly states that this specific NXP Semiconductors product is automotive qualified, the product is not suitable for automotive use. It is neither qualified nor tested in accordance with automotive testing or application requirements. NXP Semiconductors accepts no liability for inclusion and/or use of non-automotive qualified products in automotive equipment or applications. In the event that customer uses the product for design-in and use in automotive applications to automotive specifications and standards, customer (a) shall use the product without NXP Semiconductors' warranty of the product for such automotive applications, use and specifications, and (b) whenever customer uses the product for automotive applications beyond NXP Semiconductors' specifications such use shall be solely at customer's own risk, and (c) customer fully indemnifies NXP Semiconductors for any liability, damages or failed product claims resulting from customer design and use of the product for automotive applications beyond NXP Semiconductors' standard warranty and NXP Semiconductors' product specifications.

Translations — A non-English (translated) version of a document is for reference only. The English version shall prevail in case of any discrepancy between the translated and English versions.

Security — Customer understands that all NXP products may be subject to unidentified or documented vulnerabilities. Customer is responsible for the design and operation of its applications and products throughout their lifecycles to reduce the effect of these vulnerabilities on customer's applications and products. Customer's responsibility also extends to other open and/or proprietary technologies supported by NXP products for use in customer's applications. NXP accepts no liability for any vulnerability. Customer should regularly check security updates from NXP and follow up appropriately. Customer shall select products with security features that best meet rules, regulations, and standards of the intended application and make the ultimate design decisions regarding its products and is solely responsible for compliance with all legal, regulatory, and security related requirements concerning its products, regardless of any information or support that may be provided by NXP. NXP has a Product Security Incident Response Team (PSIRT) (reachable at PSIRT@nxp.com) that manages the investigation, reporting, and solution release to security vulnerabilities of NXP products.

12.4 Trademarks

Notice: All referenced brands, product names, service names and trademarks are the property of their respective owners.

NXP — wordmark and logo are trademarks of NXP B.V.

Tables

Tab. 1.	Part order codes	4	Tab. 21.	DC electricals—3.3V operation (VDD33)	25
Tab. 2.	Pin types	9	Tab. 22.	Wi-Fi receiver performance	27
Tab. 3.	Pin list by number	10	Tab. 23.	Wi-Fi transmitter performance	28
Tab. 4.	Wi-Fi radio interface	11	Tab. 24.	Local oscillator	28
Tab. 5.	RF front-end control interface	12	Tab. 25.	Current consumption	29
Tab. 6.	General purpose I/O (GPIO) interface	12	Tab. 26.	DC electricals—1.8V operation (VIO_SD)	30
Tab. 7.	SDIO host interface	13	Tab. 27.	DC electricals—3.3V operation (VIO_SD)	30
Tab. 8.	USB host interface	13	Tab. 28.	SDIO timing data	32
Tab. 9.	Control interface	14	Tab. 29.	Electrical characteristics	33
Tab. 10.	Clock interface	14	Tab. 30.	High-speed source electrical characteristics	35
Tab. 11.	Power-down	14	Tab. 31.	Full-speed source electrical characteristics	36
Tab. 12.	Power supply and ground pins	15	Tab. 32.	Device event timing characteristics	37
Tab. 13.	UART interface (debug)	15	Tab. 33.	LPM timing characteristics	39
Tab. 14.	Two-wire serial interface	15	Tab. 34.	CMOS mode	40
Tab. 15.	JTAG interface	16	Tab. 35.	Phase noise—2.4 GHz operation	40
Tab. 16.	Configuration pins	16	Tab. 36.	Crystal specifications	40
Tab. 17.	Absolute maximum ratings	23	Tab. 37.	JTAG timing data	42
Tab. 18.	Recommended operating conditions	24	Tab. 38.	Thermal conditions—QFN	43
Tab. 19.	DC electricals—1.8V operation (VIO)	25	Tab. 39.	Acronyms and abbreviations	46
Tab. 20.	DC electricals—3.3V operation (VIO)	25	Tab. 40.	Revision history	53

Figures

Fig. 1.	Application block diagram	1	Fig. 10.	Power-up sequence for case 2	22
Fig. 2.	Internal block diagram	3	Fig. 11.	Radio performance measurement points	26
Fig. 3.	Part numbering scheme	4	Fig. 12.	SDIO protocol timing diagram—Normal mode	31
Fig. 4.	Signal diagram	8	Fig. 13.	SDIO protocol timing diagram—High-speed mode	31
Fig. 5.	88W8801 pin assignment (package top view)	9	Fig. 14.	Two-wire serial interface signaling	41
Fig. 6.	Case 1 - Internal 1.1V and internal 1.8V	17	Fig. 15.	JTAG timing diagram	42
Fig. 7.	Power-up sequence for case 1 and PDn driven by host	18	Fig. 16.	Mechanical drawing of 48-pin QFN package	44
Fig. 8.	Power-up sequence for case 1 and PDn tied to VDD33	19	Fig. 17.	Package marking and pin 1 location	45
Fig. 9.	Power options, case 2—Internal 1.1V, external 1.8V	20			

Contents

1	Product overview	1	8.3	Wi-Fi radio specifications	26
1.1	Applications	2	8.3.1	Wi-Fi radio performance measurement	26
1.2	Wi-Fi key features	2	8.3.2	Wi-Fi receiver performance	27
1.3	Host interfaces	2	8.3.3	Wi-Fi transmitter performance	28
1.4	Operating characteristics	2	8.3.4	Local oscillator	28
1.5	General features	2	8.4	Current consumption	29
1.6	Internal block diagram	3	8.5	SDIO host interface specifications	30
2	Ordering information	4	8.5.1	VIO_SD DC characteristics	30
3	Wi-Fi subsystem	5	8.5.1.1	VIO_SD DC characteristics - 1.8V operation	30
3.1	IEEE 802.11 standards	5	8.5.1.2	VIO_SD DC characteristics - 3.3V operation	30
3.2	Wi-Fi MAC	5	8.5.2	SDIO host interface specifications	31
3.3	Wi-Fi baseband	6	8.6	USB 2.0 host interface specifications	33
3.4	Wi-Fi radio	6	8.7	Clock interface specifications	40
3.5	Wi-Fi encryption	6	8.7.1	Single-ended clock input mode	40
3.6	Wi-Fi host interfaces	7	8.7.2	Crystal specifications	40
4	Pin information	8	8.8	Two-wire serial interface specifications	41
4.1	Signal diagram	8	8.9	UART (debug) interface specifications	41
4.2	Pin assignment	9	8.10	JTAG interface specifications	42
4.3	Signal types	9	9	Package information	43
4.4	Pin list	10	9.1	Package thermal conditions	43
4.5	Pin description	11	9.2	Package mechanical drawing	44
4.5.1	Pin states	11	9.3	Package marking	45
4.5.2	Wi-Fi radio interface	11	10	Acronyms and abbreviations	46
4.5.3	RF front-end control interface	12	11	Revision history	53
4.5.4	General purpose I/O (GPIO) interface	12	12	Legal information	54
4.5.5	SDIO 2.0 host interface	13			
4.5.6	USB 2.0 host interface	13			
4.5.7	Control interface	14			
4.5.8	Clock interface	14			
4.5.9	Power-down	14			
4.5.10	Power supply and ground pins	15			
4.5.11	UART interface (debug)	15			
4.5.12	Two-wire serial interface	15			
4.5.13	JTAG interface	16			
4.6	Configuration pins	16			
5	Power information	17			
5.1	Leakage optimization	17			
5.2	Power options	17			
5.2.1	Case 1 - Internal 1.1V and internal 1.8V	17			
5.2.1.1	Power-up sequence for case 1 and PDn driven by host	18			
5.2.1.2	Power-up sequence for case 1 and PDn tied to VDD33	19			
5.2.2	Case 2 - Internal 1.1V and external 1.8V	20			
5.2.2.1	Power-up sequence for case 2	21			
6	Absolute maximum ratings	23			
7	Recommended operating conditions	24			
8	Electrical specifications	25			
8.1	GPIO interface specifications	25			
8.1.1	VIO DC characteristics	25			
8.1.1.1	VIO DC characteristics - 1.8V operation	25			
8.1.1.2	VIO DC characteristics - 3.3V operation	25			
8.2	RF front-end control interface specifications	25			

Please be aware that important notices concerning this document and the product(s) described herein, have been included in section 'Legal information'.

Mouser Electronics

Authorized Distributor

Click to View Pricing, Inventory, Delivery & Lifecycle Information:

[NXP:](#)

[88W8801-B0-NMD2E000-P123](#) [88W8801-B0-NMD2I000](#) [88W8801-B0-NMD2I000-P123](#) [88W8801-B0-NMD2C000](#)
[88W8801-B0-NMD2C000-P123](#) [88W8801-B0-NMD2E000](#)