



# PGA ZIF Test & Burn-in Socket for Any Footprint on Std 8x8 to 21x21 Grid

## FEATURES

- Strong Metal Cam Activates Normally-closed Contacts, Preventing Dependency on Plastic for Contact Force
- Handle mounted on Right- or Left-hand Side
- Any Footprint Accepted on Standard 13x13 to 21x21 Grid



## GENERAL SPECIFICATIONS

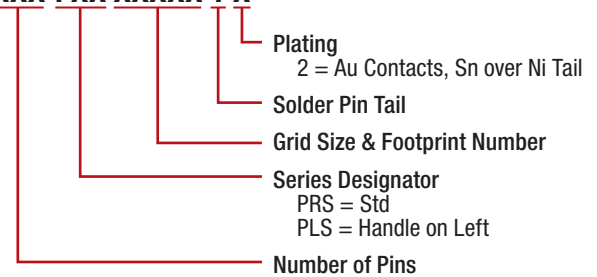
- **SOCKET BODY:** black UL 94V-0 Polyphenylene Sulfide (PPS)
- **CONTACTS:** BeCu 174, 1/2-hard –OR– Spinodal
- **BeCu CONTACT PLATING OPTIONS:** 30μ [0.762μ] min. Au per MIL-G-45204 on contact area, 200μ [5.08μ] min. matte Sn per ASTM B545-97 on solder tail, both over 30μ [0.762μ] min. Ni per QQ-N-290 all over
- **HANDLE:** Stainless Steel
- **CONTACT CURRENT RATING:** 1 amp
- **OPERATING TEMPERATURES:** -85°F to 257°F [-65°C to 125°C] Au plating
- **ACCEPTS LEADS:** 0.014-0.026 [0.36-0.66] dia., 0.120-0.290 [3.05-7.37] long

## MOUNTING CONSIDERATIONS

- **SUGGESTED PCB HOLE SIZE:** 0.032 ±0.002 [0.81 ±0.05] dia.
- See *PCB FOOTPRINT* below
- Plugs into standard PGA sockets

## ORDERING INFORMATION

**XXX-PXX XXXXX-1 X**



Grid Size	No. of Pins	Dim. "C"	Dim. "A"	Dim. "B"	Dim. "D"
<b>8 x 8 *</b>	<b>64</b>	<b>0.700 [17.78]</b>	<b>1.695 [43.05]</b>	<b>1.110 [28.19]</b>	<b>1.275 [32.39]</b>
<b>9 x 9</b>	<b>81</b>	<b>0.800 [20.32]</b>			
12 x 12 *	144	1.100 [27.94]	1.894 [48.10]	1.510 [38.35]	1.675 [42.55]
13 x 13	169	1.200 [30.48]			
14 x 14 *	196	1.300 [33.02]	2.094 [53.20]	1.710 [43.43]	1.875 [47.63]
15 x 15	225	1.400 [35.56]			
16 x 16 *	256	1.500 [38.10]	2.294 [58.27]	1.910 [48.51]	2.075 [52.71]
17 x 17	289	1.600 [40.64]			
18 x 18 *	324	1.700 [43.18]	2.494 [63.35]	2.110 [53.59]	2.275 [57.79]
19 x 19	361	1.800 [45.72]			
20 x 20 *	400	1.900 [48.26]	2.694 [68.43]	2.310 [58.67]	2.475 [62.87]
21 x 21	441	2.000 [50.80]			

<< **SPECIAL ORDER ONLY, Consult Factory**

**PLUGS (X) IN THESE COVER HOLE LOCATIONS, OR ANY OTHER LOCATIONS REQUIRED WILL ONLY BE SUPPLIED AS INDICATED ON THE PGA FOOTPRINT OR CUSTOMER-SUPPLIED PGA WORKSHEET ON PAGE 2.**

\* Top- and Right-hand Side Rows left out

ALL DIMENSIONS: INCHES [MILLIMETERS]  
 ALL TOLERANCES: ±0.005 [0.13] UNLESS OTHERWISE SPECIFIED  
 SPECIAL HANDLE REQUIREMENTS: CONSULT FACTORY  
 CONSULT FACTORY FOR OTHER SIZES AND CONFIGURATIONS

CUSTOMIZATION: ARIES SPECIALIZES IN CUSTOM DESIGN AND PRODUCTION. SPECIAL MATERIALS, PLATINGS, SIZES, AND CONFIGURATIONS CAN BE FURNISHED, DEPENDING ON QUANTITY.  
 ARIES RESERVES THE RIGHT TO CHANGE PRODUCT GENERAL SPECIFICATIONS WITHOUT NOTICE  
 PRINTOUTS OF THIS DOCUMENT MAY BE OUT-OF-DATE AND SHOULD BE CONSIDERED UNCONTROLLED



**ARIES**  
 ELECTRONICS, INC.

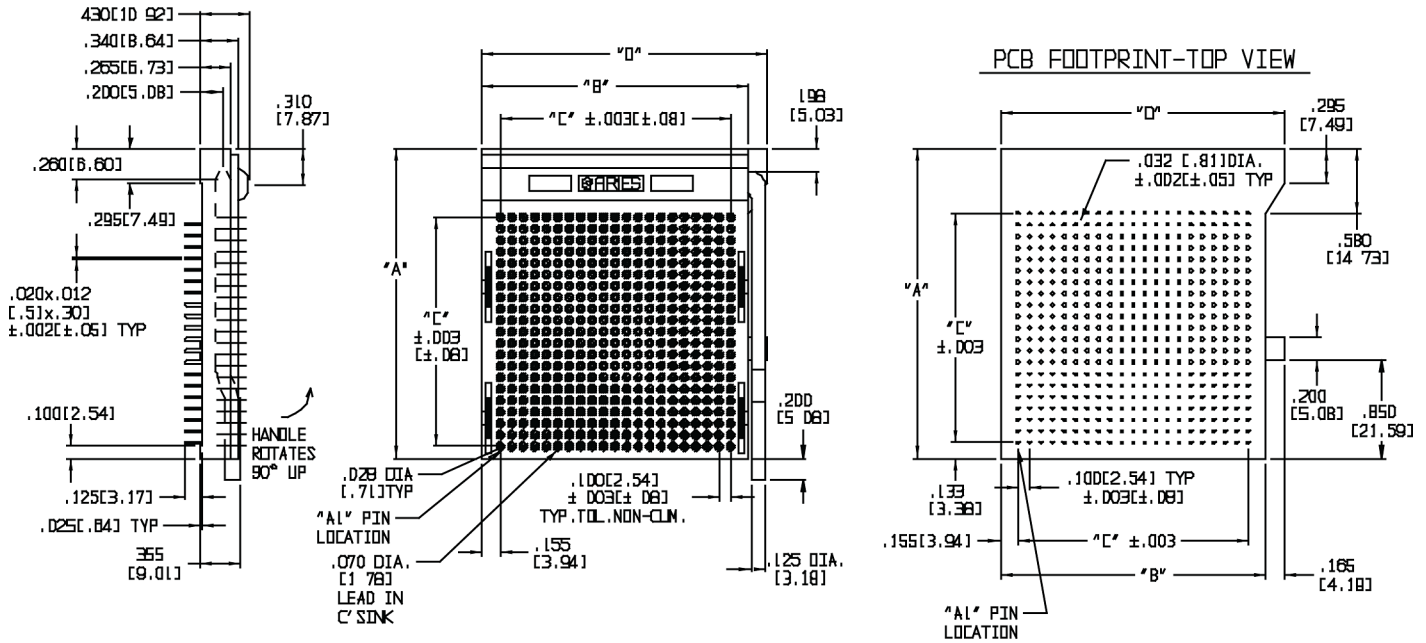
2609 Bartram Road • Bristol, PA 19007-6810 USA  
 TEL 215-781-9956 • FAX 215-781-9845  
 WWW.ARIESELEC.COM • INFO@ARIESELEC.COM



10004  
 Rev. 1.10  
 1 of 2



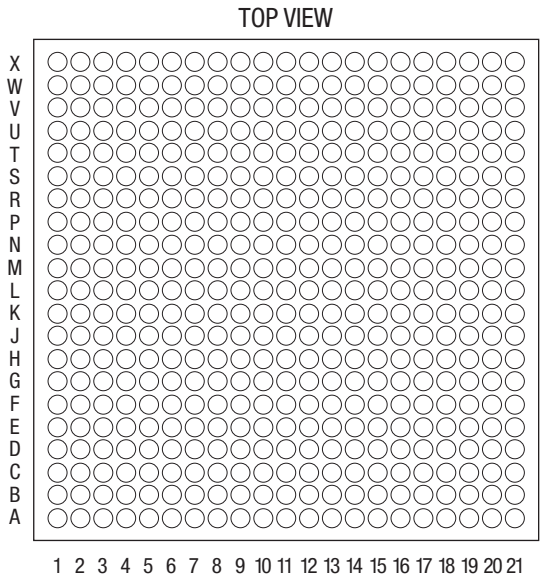
# PGA ZIF Test & Burn-in Socket for Any Footprint on Std 8x8 to 21x21 Grid



**PLUGS (X) IN COVER HOLE LOCATIONS WILL ONLY BE SUPPLIED AS INDICATED ON THE PGA FOOTPRINT OR CUSTOMER-SUPPLIED PGA WORKSHEET BELOW.**

### SPECIAL FOOTPRINT INSTRUCTIONS

1. Make a copy of this worksheet
2. Fill-in circles for footprint desired using the key below
3. Fill-in the information below, including Series and Plating options. See Ordering Information above
4. Send worksheet to Aries for prompt quote



**KEY**

- = no pin
- = pin
- X = plug hole

COMPANY NAME \_\_\_\_\_

ADDRESS \_\_\_\_\_

CITY \_\_\_\_\_

REQUESTED BY \_\_\_\_\_

PHONE \_\_\_\_\_

DATE \_\_\_\_\_

TOTAL NUMBER OF PINS \_\_\_\_\_

SERIES (circle one)      PRS      PLS

ALL DIMENSIONS: INCHES [MILLIMETERS]  
 ALL TOLERANCES: ±0.005 [0.13] UNLESS OTHERWISE SPECIFIED  
 SPECIAL HANDLE REQUIREMENTS: CONSULT FACTORY  
 CONSULT FACTORY FOR OTHER SIZES AND CONFIGURATIONS

CUSTOMIZATION: ARIES SPECIALIZES IN CUSTOM DESIGN AND PRODUCTION. SPECIAL MATERIALS, PLATINGS, SIZES, AND CONFIGURATIONS CAN BE FURNISHED, DEPENDING ON QUANTITY.  
 ARIES RESERVES THE RIGHT TO CHANGE PRODUCT GENERAL SPECIFICATIONS WITHOUT NOTICE  
 PRINTOUTS OF THIS DOCUMENT MAY BE OUT-OF-DATE AND SHOULD BE CONSIDERED UNCONTROLLED



2609 Bartram Road • Bristol, PA 19007-6810 USA  
 TEL 215-781-9956 • FAX 215-781-9845  
 WWW.ARIESELEC.COM • INFO@ARIESELEC.COM



# Mouser Electronics

Authorized Distributor

Click to View Pricing, Inventory, Delivery & Lifecycle Information:

## [Aries Electronics:](#)

[34-PRS17034-16](#) [84-PRS11010-16](#) [84-PRS11032-16](#) [50-PLS13118-16](#) [100-PLS15031-16](#) [100-PRS15031-16](#) [108-PLS12005-12](#) [121-PLS13121-12](#) [121-PRS13121-12](#) [15-PRS15068-12](#) [163-PLS15064-12](#) [163-PLS15065-12](#) [163-PRS15064-12](#) [163-PRS15065-12](#) [181-PLS15003-16](#) [181-PLS15006-12](#) [181-PLS15033-12](#) [181-PRS15003-16](#) [181-PRS15006-12](#) [181-PRS15033-12](#) [18-PLS09026-16](#) [208-PLS17017-12](#) [208-PRS17017-12](#) [229-PLS16014-12](#) [229-PRS16014-12](#) [257-PLS20013-12](#) [281-PLS19012-12](#) [281-PLS19029-12](#) [281-PRS19012-12](#) [281-PRS19029-12](#) [30-PLS16017-12](#) [30-PRS16017-12](#) [336-PLS21022-12](#) [64-PLS16016-12](#) [64-PRS16016-12](#) [68-PLS11033-12](#) [66-PRS11054-12](#) [101-PRS13023-12](#) [179-PLS18038-12](#) [179-PRS18038-12](#) [18-PLS15071-12](#) [18-PRS15071-12](#) [209-PRS17020-12](#) [223-PLS18039-12](#) [223-PLS18039-16](#) [223-PRS18039-12](#) [223-PRS18039-16](#) [225-PRS17007-12](#) [257-PLS20012-12](#) [257-PLS20018-12](#) [257-PRS20012-12](#) [257-PRS20018-12](#) [262-PLS20003-12](#) [262-PRS20003-12](#) [299-PLS20009-12](#) [299-PRS20009-12](#) [300-PLS20006-12](#) [300-PRS20006-12](#) [30-PLS16018-12](#) [30-PLS16020-12](#) [30-PLS16022-12](#) [30-PRS16018-12](#) [30-PRS16020-12](#) [30-PRS16022-12](#) [400-PLS20001-16](#) [44-PLS12017-12](#) [47-PLS16021-12](#) [47-PRS16021-12](#) [54-PRS17038-16](#) [56-PLS14031-12](#) [56-PRS14031-12](#) [66-PLS11054-12](#) [68-PLS11033-16](#) [68-PLS13117-16](#) [68-PRS11033-16](#) [68-PRS13117-16](#) [76-PLS19033-12](#) [76-PRS19033-12](#) [80-PRL13127-12](#) [80-PRL15072-12](#) [80-PRS13127-12](#) [80-PRS15072-12](#) [80-PRS21027-12](#) [84-PLS10003-12](#) [84-PRS10003-12](#) [84-PRS13053-12](#) [84-PRS13125-12](#) [169-PRS17012-12](#) [169-PLS17012-12](#) [172-PLS16002-12](#) [172-PRS16002-12](#) [108-PRS13129-12](#) [209-PRS17046-12](#) [112-PRS21028-12](#) [169-PRS17053-12](#) [175-PRS16005-12](#) [176-PRS15014-12](#) [96-PRS14024-12](#) [105-PLS17055-12](#) [105-PRS17054-12](#)