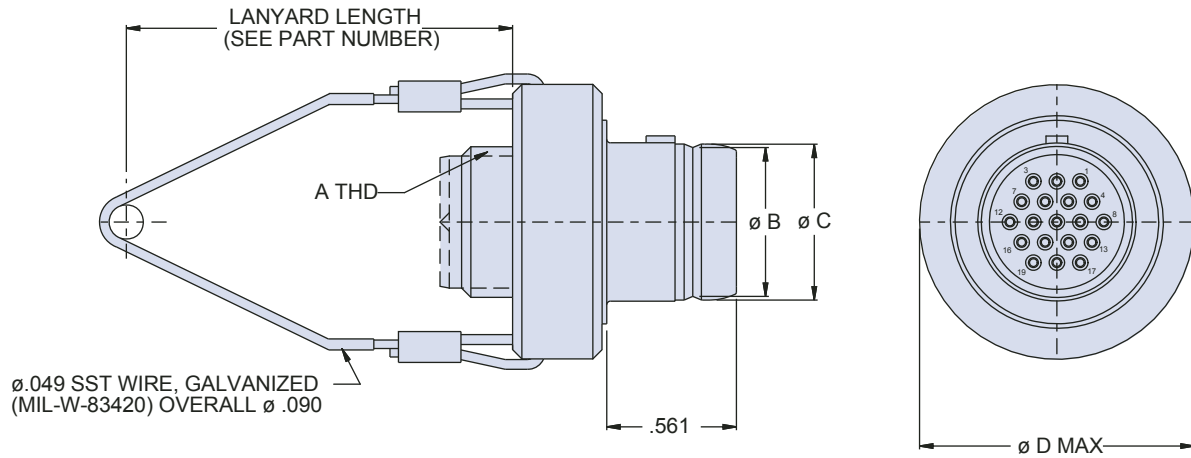


Series 804 Push-Pull Mighty Mouse Quick-Release Lanyard Plug

804-113 Dimensions



Dimensions				
Shell Size	A Thread	ø B	ø C	ø D MAX
5	.250-32 UNEF	.219 (5.56)	.250 (6.35)	.812 (20.62)
6	.3125-32 UNEF	.282 (7.16)	.313 (7.95)	.875 (22.23)
7	.4375-28 UNEF	.351 (8.92)	.383 (9.73)	.938 (23.83)
8	.5000-28 UNEF	.398 (10.11)	.429 (10.90)	1.000 (25.40)
9	.5625-24 UNEF	.454 (11.53)	.486 (12.34)	1.062 (26.97)
10	.6250-24 UNEF	.529 (13.44)	.563 (14.30)	1.125 (28.58)
11	.6875-24 UNEF	.587 (14.91)	.618 (15.70)	1.188 (30.18)
12	.6875-24 UNEF	.646 (16.41)	.676 (17.17)	1.250 (31.75)
14	.9375-20 UNEF	.768 (19.51)	.800 (20.32)	1.375 (34.92)
15	.9375-20 UNEF	.828 (21.03)	.860 (21.84)	1.438 (36.53)

Material and Finish

- Shell: aluminum alloy or CRES / see how to order table
- Insulator: high grade rigid dielectric / N.A.
- Interfacial seal, grommet seal: fluorosilicone / N.A.
- Contact: copper alloy / gold plate per ASTM B 488, Type II, Code C, Class 1.25, over suitable underplate

Dimensions in Inches (millimeters) are subject to change without notice.

Mouser Electronics

Authorized Distributor

Click to View Pricing, Inventory, Delivery & Lifecycle Information:

[Glenair:](#)

[804-113-06MT14-55PC4](#) [804-113-06M14-204SA3](#) [804-113-06M14-55PA3](#) [804-113-06M14-55PA4](#) [804-113-06M8-13PA4](#)