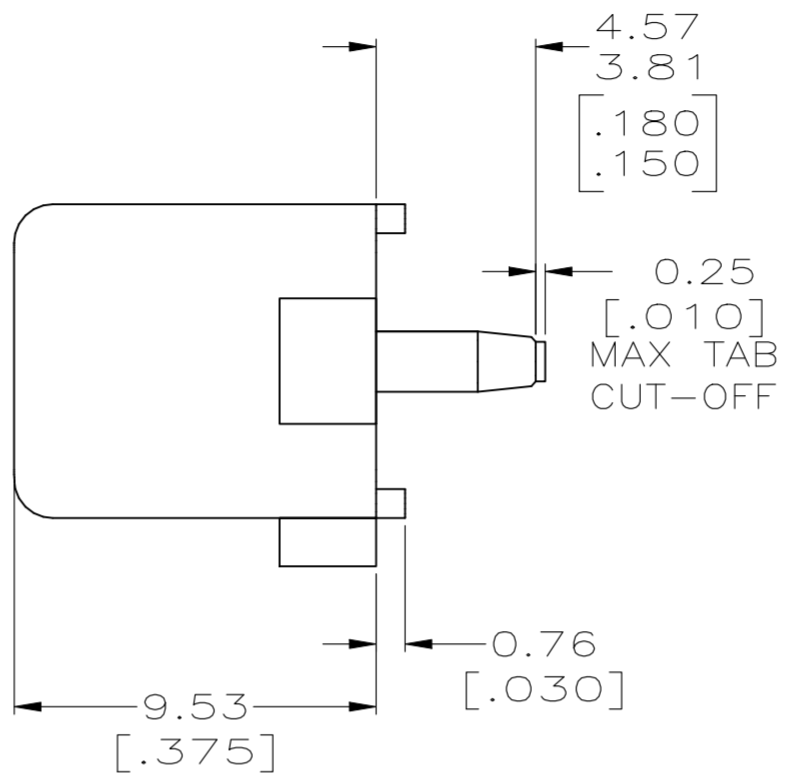
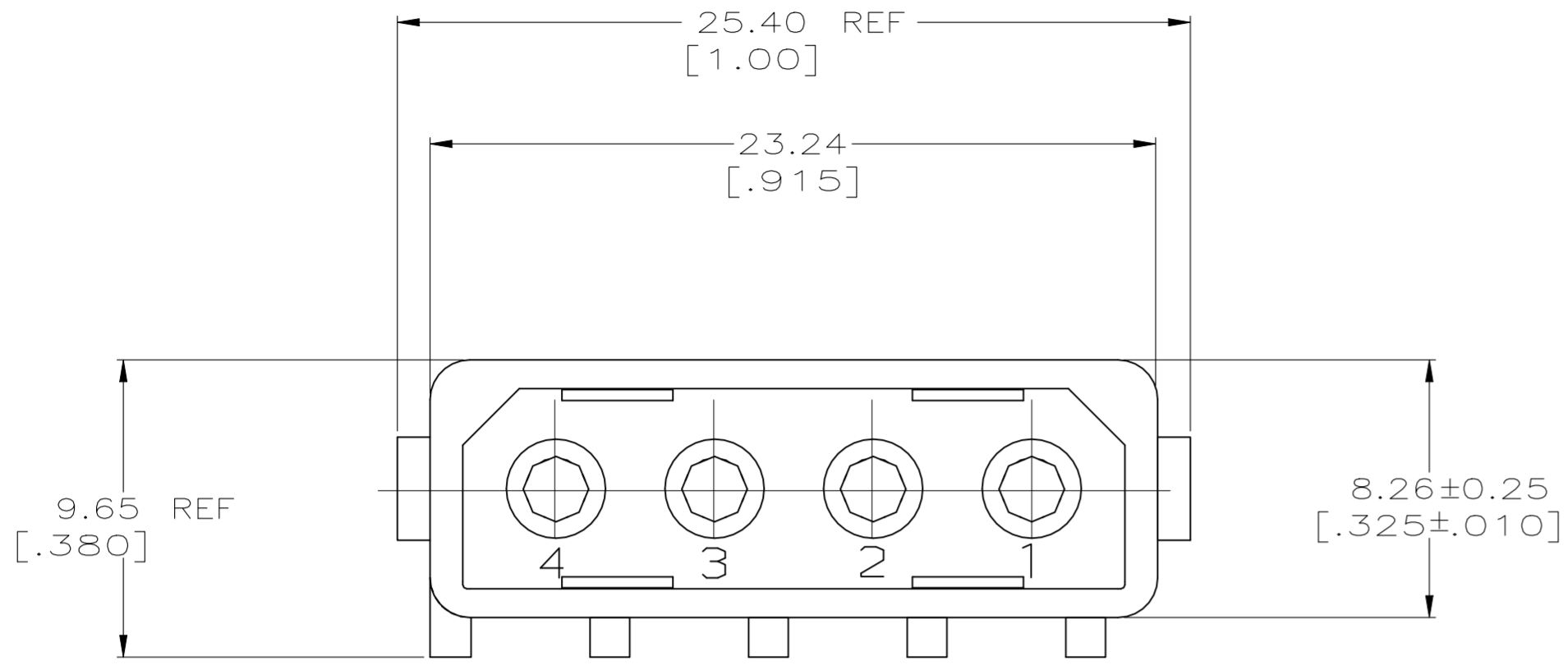
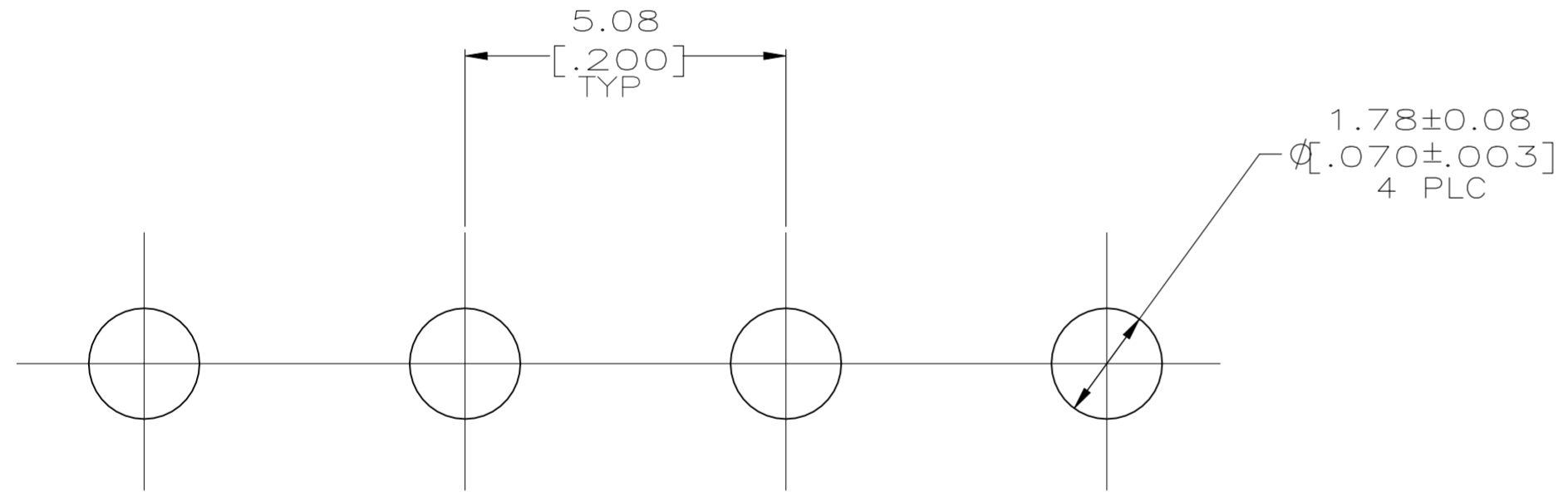


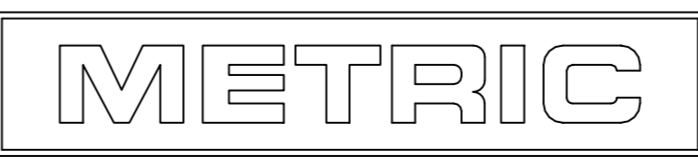
LOC	DIST	REVISIONS			
P	LTR	DESCRIPTION	DATE	DWN	APVD
CM	53	A1	REVISED PER ECR-21-117185	22OCT2021	PJ VS



- PARTS MUST COMPLY WITH AMP SOLDERABILITY SPECIFICATION 109-11-3.
- DIMENSIONS IN BRACKETS ARE IN INCHES.
- DIMENSION SHOWN REPRESENT PRODUCT IN DRY CONDITION. ADDITIONAL 2% GROWTH DUE TO END USE LOCATION MOISTURE ABSORPTION MAY OCCUR AND SHOULD BE ACCOUNTED FOR.



RECOMMENDED P.C. BOARD LAYOUT
 FOR 1.57 [.062] THICK P.C. BOARD
 SCALE 10:1



PH BRZ,PRE-TIN	NYLON,UL94V-0,WHITE	794236-1
PIN CONTACT MATERIAL & FINISH	HOUSING MATERIAL & COLOR	PART NUMBER

<small>THIS DRAWING IS A CONTROLLED DOCUMENT FOR AMP INCORPORATED. IT IS SUBJECT TO CHANGE AND THE CONTROLLING ENGINEERING ORGANIZATION SHOULD BE CONTACTED FOR THE LATEST REVISION.</small>		DWN	B. LEWIS	2-04-97
DIMENSIONS: mm [INCHES]		CHK	R. SWING	2-04-97
TOLERANCES UNLESS OTHERWISE SPECIFIED: 0 PLC ±- 1 PLC ±- 2 PLC ±0.13[.005] 3 PLC ±- 4 PLC ±- ANGLES ±0° 30' FINISH		APVD	C. MARTIN	2-04-97
MATERIAL SEE TABLE		PRODUCT SPEC APPLICATION SPEC		NAME AMP Incorporated Harrisburg, PA 17105-3608
SEE TABLE		WEIGHT -		SIZE A2
SEE TABLE		CUSTOMER DRAWING		CAGE CODE 00779
SEE TABLE		DRAWING NO. C=794236		SHEET 1 OF 1
SEE TABLE		SCALE 5:1		REV A1

794236

Mouser Electronics

Authorized Distributor

Click to View Pricing, Inventory, Delivery & Lifecycle Information:

[TE Connectivity:](#)

[794236-1](#)