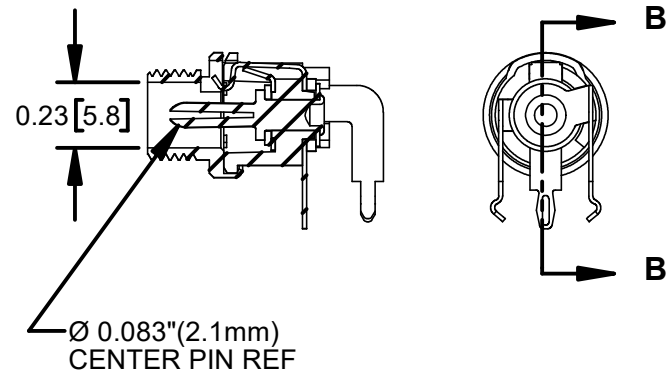
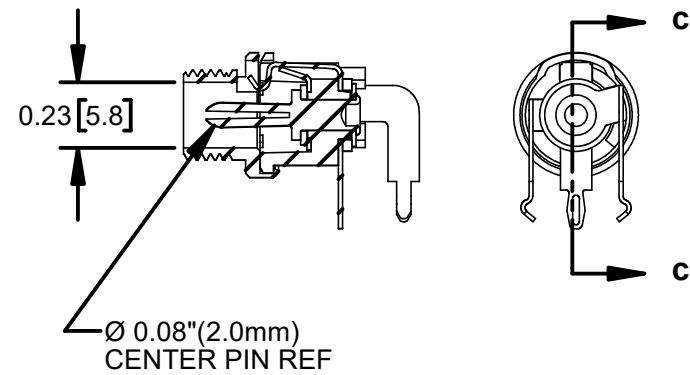


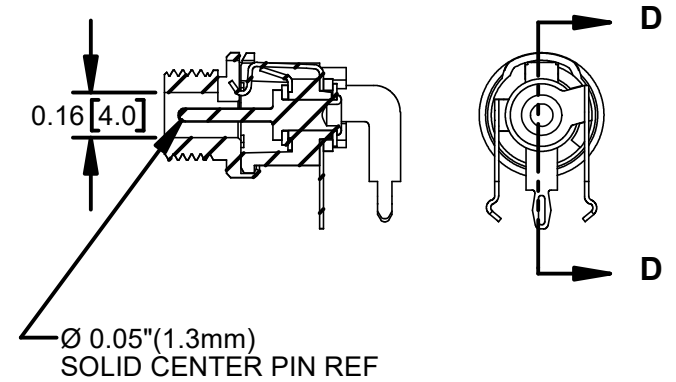
712RAHLP



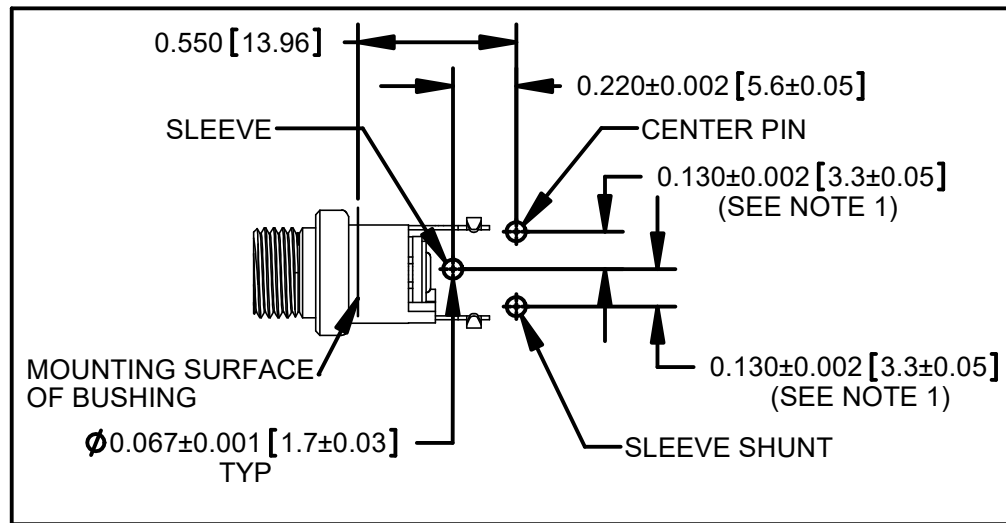
721RAHLP



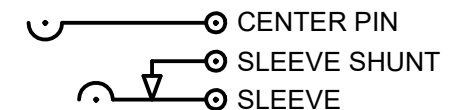
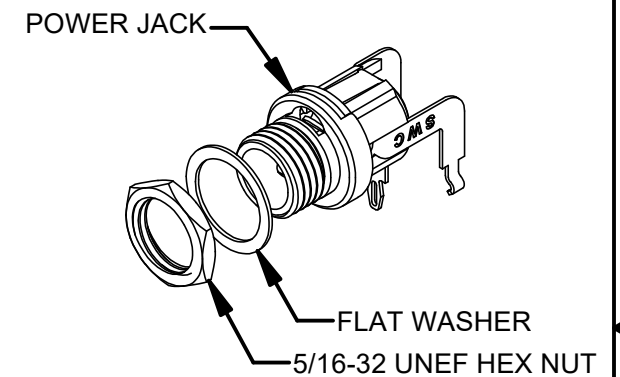
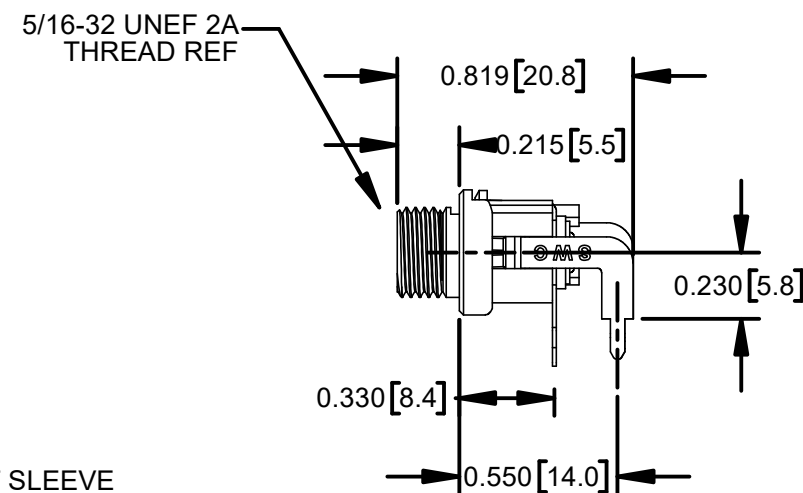
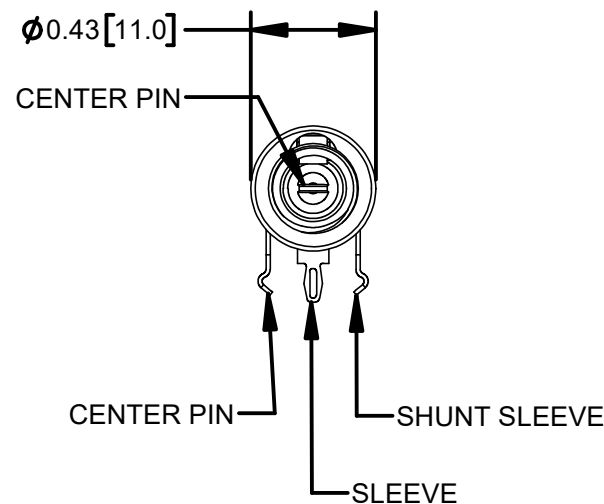
722RAHLP



732RAHLP



**RECOMMENDED PCB LAYOUT
(COMPONENT SIDE)**



SCHEMATIC

NOTES:

- FOR HAND INSERTION USE SPACING 0.130 [3.30]
FOR AUTOMATED INSERTION USE SPACING 0.135 [3.43]
- DIMENSIONS SHOWN FOR REFERENCE ONLY.
- HEX NUT AND FLAT WASHER SUPPLIED UNASSEMBLED.
- MATERIAL:
HOUSING, HEX NUT - COPPER ALLOY, NICKEL PLATED
INSULATOR HOUSING - THERMOPLASTIC
TERMINAL INSULATORS - PHENOLIC
FLAT WASHER - STEEL, NICKEL PLATED
PIN, SPRING, TERMINALS - COPPER ALLOY, SILVER PLATED
- THESE PRODUCTS ARE RoHS COMPLIANT

PRELIMINARY

CUSTOMER DRAWING

					THIS DRAWING DESCRIBES A DESIGN CONSIDERED PROPRIETARY IN NATURE, DEVELOPED AND MANUFACTURED BY SWITCHCRAFT INC. AND IS RELEASED ON A CONFIDENTIAL BASIS FOR IDENTIFICATION PURPOSES ONLY.				
UNLESS OTHERWISE SPECIFIED					SIZE *	WIDTH *	MULT *	LBS/M *	TEMPER *
1. ALL DIMENSIONS IN INCHES					FINISH *			MATERIAL *	
- TWO PLACE DECIMALS ±0.02					SPEC No. *			SPEC No. *	
- THREE PLACE DECIMALS ±0.005					FIRST USED ON *		SCALE 3:2		
0A	P-20009-1	4-16-2020	SRC	SRC	DATE DRAWN	BY	CHKD	APVD	Switchcraft SHEET 1 OF 1
REV	ECO NUMBER	DATE	BY	APVD	4-16-2020	SRC	*	*	
REVISIONS					NAME POWER JACKS 712RAHLP, 721RAHLP 722RAHLP, 732RAHLP, RoHS				
DO NOT SCALE DRAWING					PART No.			REV	
					7__RAHLP SERIES			0A	

Mouser Electronics

Authorized Distributor

Click to View Pricing, Inventory, Delivery & Lifecycle Information:

[Switchcraft:](#)

[712RAHLP](#) [721RAHLP](#) [722RAHLP](#)