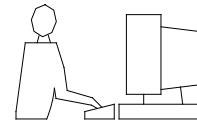
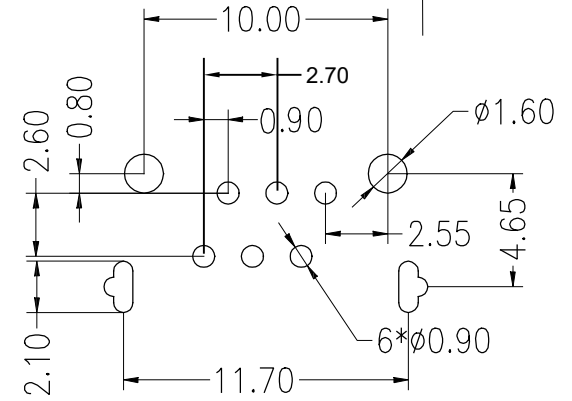
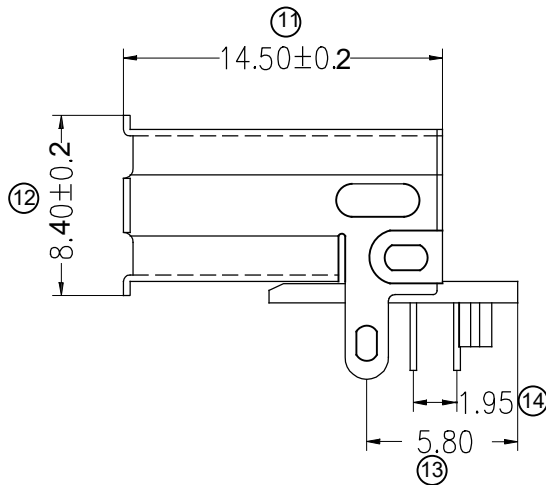
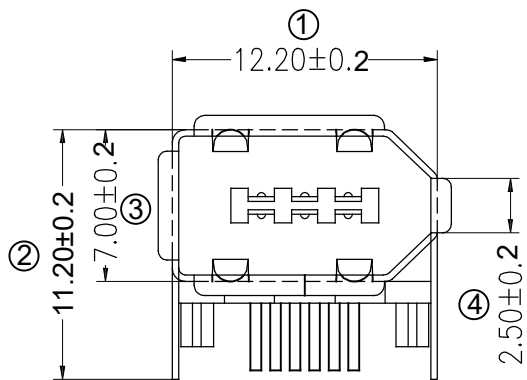
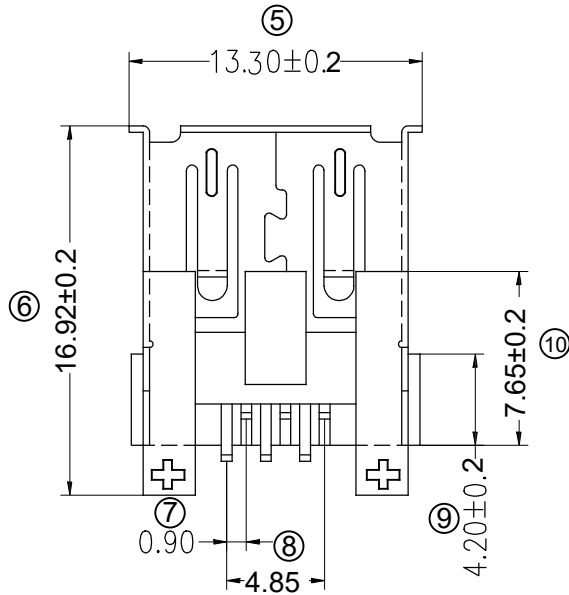


TOLERANCE UNLESS OTHERWISE SPECIFIED IN MM:  
 0.X ± 0.25  
 00.XX ± 0.13  
 00.XXX ± 0.05

THIS IS A C.A.D. GENERATED DRAWING  
 DO NOT MAKE MANUAL REVISIONS TO MASTER.



ISSUE NUMBER	
ORIGINAL	①
DRAWING REDRAWN N.SONDH MAR. 28/16	③
DRAWING REDRAWN R.ESMAEILI APR. 17/19	④



PC BOARD LAYOUT

**NOTES AND MATERIALS:**

- HOUSING: PA66, BLACK COLOR
- CONTACT: C2680-H T=0.25, GOLD ON CONTACT AREA  
TIN ON SOLDER TAILS
- SHELL: C2680-H/2 T=0.4 NICKEL PLATED
- CONTACT RESISTANCE: 30m OHM MAX
- INSULATION RESISTANCE: 1000M OHM MIN
- VOLTAGE RATING: 40V MAX
- CURRENT RATING: 1.5 MAX
- WITHSTANDING VOLTAGE: 500 V AC
- DURABILITY: 1000 CYCLES

GOLD FLASH = 220 CONTACT CODE  
 15 MICROINCHES OF GOLD = 320 CONTACT CODE  
 30 MICROINCHES OF GOLD = 620 CONTACT CODE

**PART NUMBER: 693-006-220-003**

CONTACT CODE \_\_\_\_\_

**IEEE 1394 R/A CONNECTOR  
 (RECEPTACLE)**

ACAD REF. DWG.NO. 693-006-220-003

DRAWN. N.SONDH      DATE. MAR. 28/16

CHECKED.      DATE.

SCALE.:IN CAD 1:1      SHEET. 1 OF. 1

DRAWING NUMBER.      ISSUE  
**693-006-220-003**      4



THIS SERIES FULLY CONFORMS TO THE EUROPEAN UNION DIRECTIVES 2011/65/EU FOR RoHS COMPLIANCY.



**EDAC INC.**  
 TORONTO, ONTARIO  
 CANADA

THESE DRAWINGS AND SPECIFICATIONS ARE THE PROPERTY OF EDAC INC. AND SHALL NOT BE REPRODUCED OR COPIED OR USED AS THE BASIS FOR THE MANUFACTURE OR SALE OF APPARATUS WITHOUT WRITTEN PERMISSION.

YOUR CONNECTION TO QUALITY & SERVICE

# Mouser Electronics

Authorized Distributor

Click to View Pricing, Inventory, Delivery & Lifecycle Information:

[EDAC:](#)

[693-006-220-003](#)