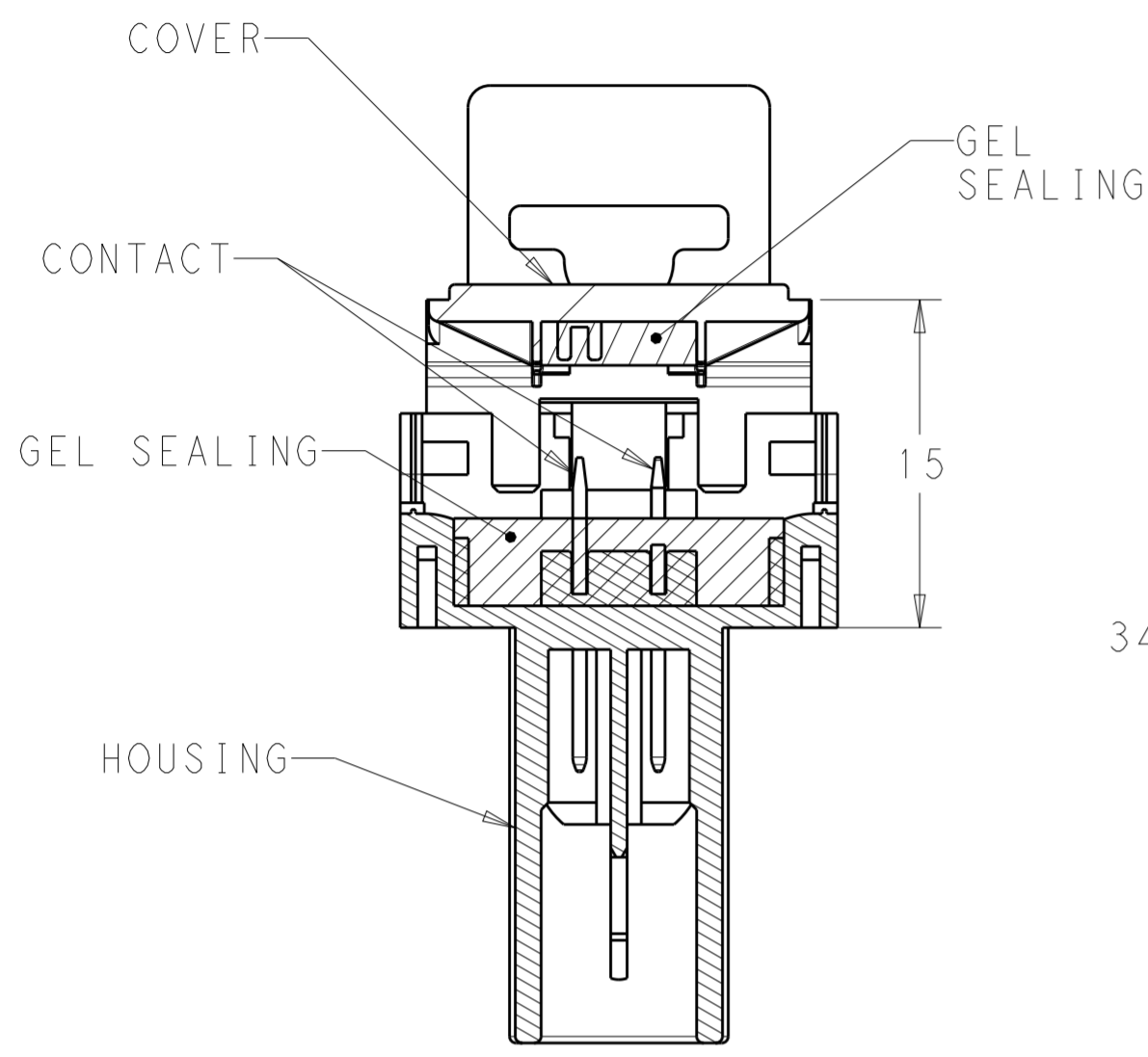
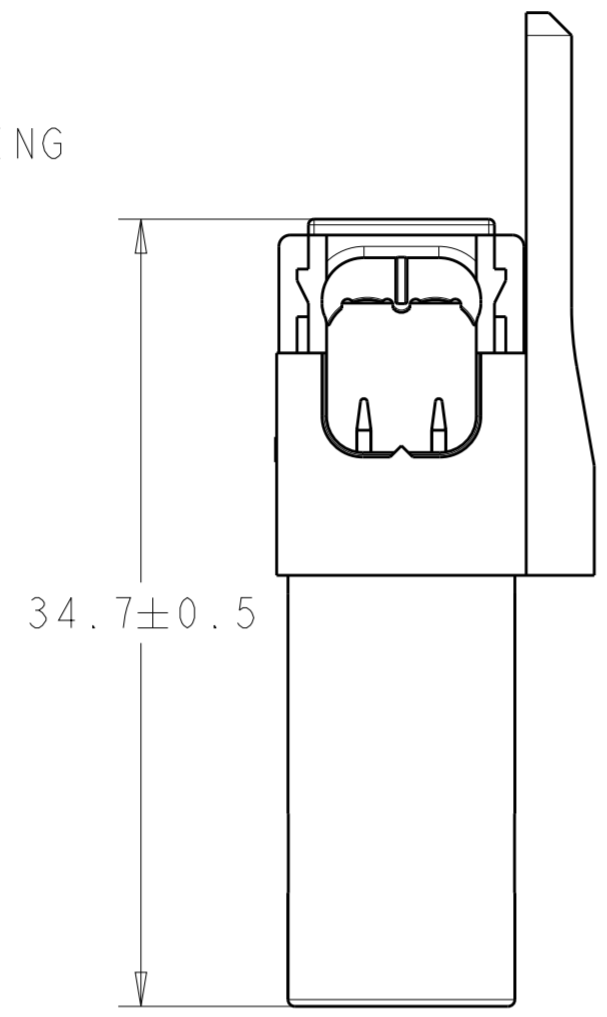


THIS DRAWING IS UNPUBLISHED. RELEASED FOR PUBLICATION 20
 © COPYRIGHT 20 BY - ALL RIGHTS RESERVED.

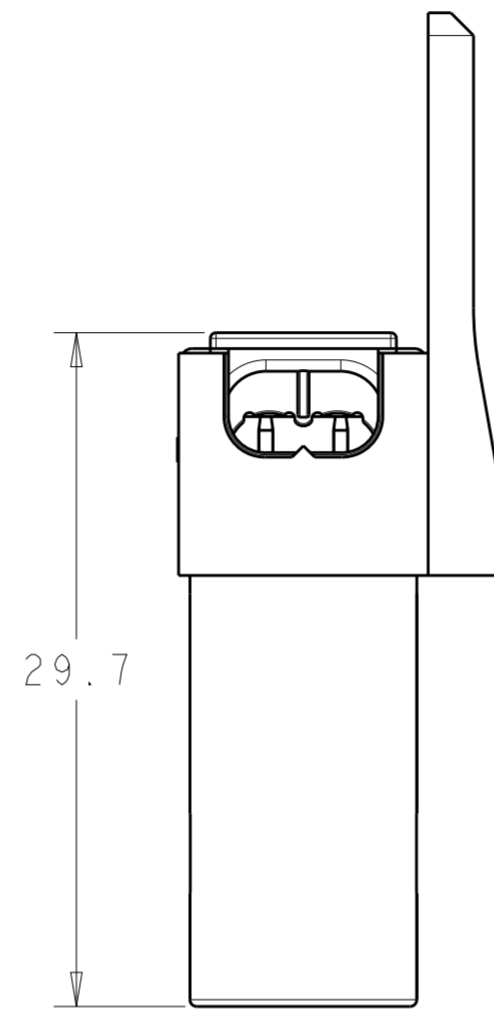
LOC		DIST		REVISIONS			
P	LTR	DESCRIPTION	DATE	DWN	APVD		
	A	REVISED PER ECR-15-010341	24JUL2015	RS	PO		
	A1	REVISED PER ECR-15-011381	05AUG2015	RS	JL		
	B	REVISED PER ECR-17-008257	12JUN2017	SK	JL		



SECTION A-A

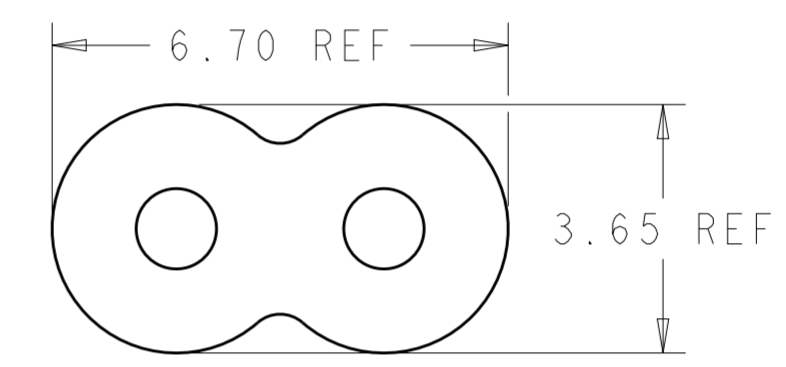


PRE-LOCKING CONDITION

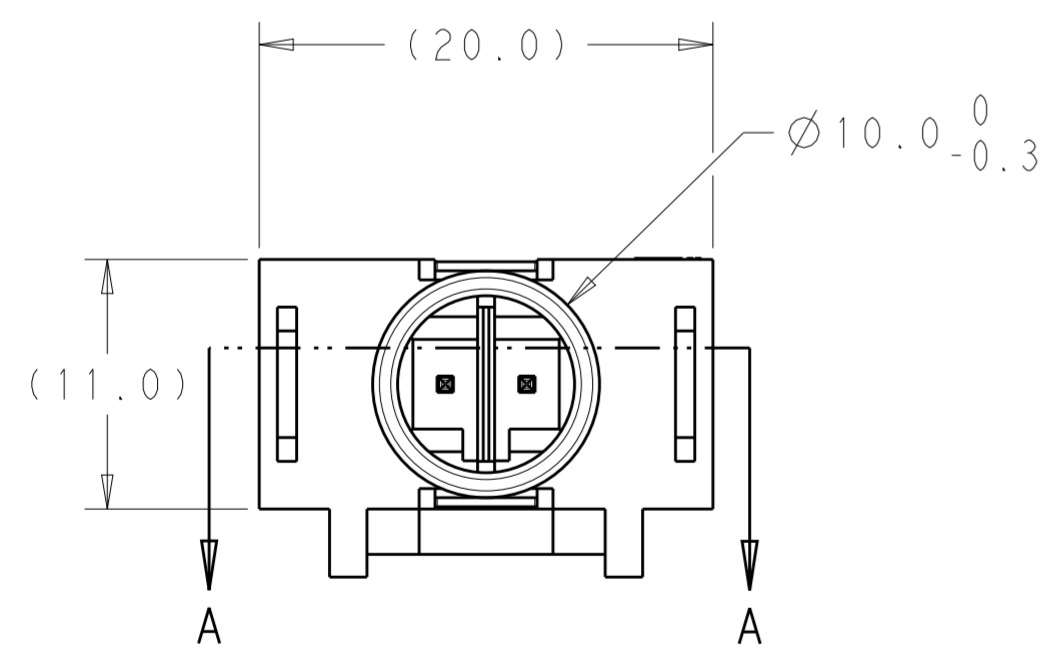


CLOSED CONDITION

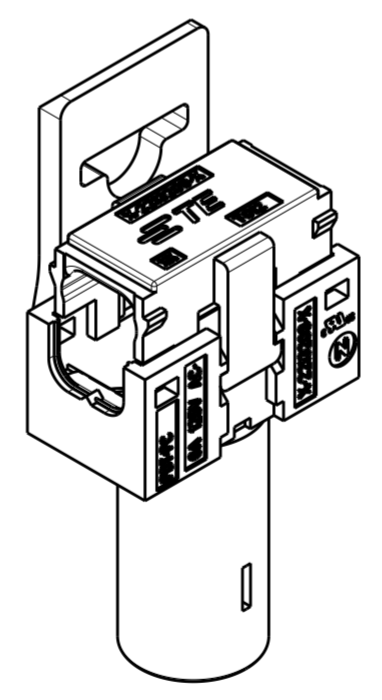
1. MATERIAL AND FINISH:
 HOUSING AND CAP: PBT+PC, COLOR: NATURAL
 CONTACTS: COPPER ALLOY, FINISH: TIN OVER NICKEL
 SEALING GEL: SILICONE DIELECTRIC GEL
2. MUST COMPLY WITH DIRECTIVE 2002/95/EC (ROHS)
3. TO BE USED WITH UL SPT-2, 2/C 18 AWG TYPE WIRE



TYPICAL SPT-2 CABLE



TYPICAL VIEW
 SEE PAGE 3 FOR
 ALL VARIATIONS



NO	LV-2	END HOUSING, WITHOUT TAB	7-2213222-4	
NO	HV-3	END HOUSING, WITHOUT TAB	7-2213222-1	
NO	LV-2	END HOUSING, WITH TAB	6-2213222-4	
NO	HV-3	END HOUSING, WITH TAB	6-2213222-1	
NO	LV-2	THRU HOUSING, WITHOUT TAB	5-2213222-4	
NO	HV-3	THRU HOUSING, WITHOUT TAB	5-2213222-1	
NO	LV-2	THRU HOUSING, WITH TAB	4-2213222-4	
NO	HV-3	THRU HOUSING, WITH TAB	4-2213222-1	
YES	LV-2	END HOUSING, WITHOUT TAB	3-2213222-4	
YES	HV-3	END HOUSING, WITHOUT TAB	3-2213222-1	
YES	LV-2	END HOUSING, WITH TAB	2-2213222-4	
YES	HV-3	END HOUSING, WITH TAB	2-2213222-1	
YES	LV-2	THRU HOUSING, WITHOUT TAB	1-2213222-4	
YES	HV-3	THRU HOUSING, WITHOUT TAB	1-2213222-1	
YES	LV-2	THRU HOUSING, WITH TAB	2213222-4	
YES	HV-3	THRU HOUSING, WITH TAB	2213222-1	
SEALING GEL		POLARIZATION KEY	HOUSING TYPE	PART NO.

THIS DRAWING IS A CONTROLLED DOCUMENT.

DWN	RAVLS	18MAR2013
CHK	C. GINGRICH	18MAR2013
APVD	C. GINGRICH	18MAR2013

STE TE Connectivity

NAME: ASSEMBLY: NECTOR S BUS BAR NA

PRODUCT SPEC: 108-20294

APPLICATION SPEC: 114-20131

WEIGHT: -

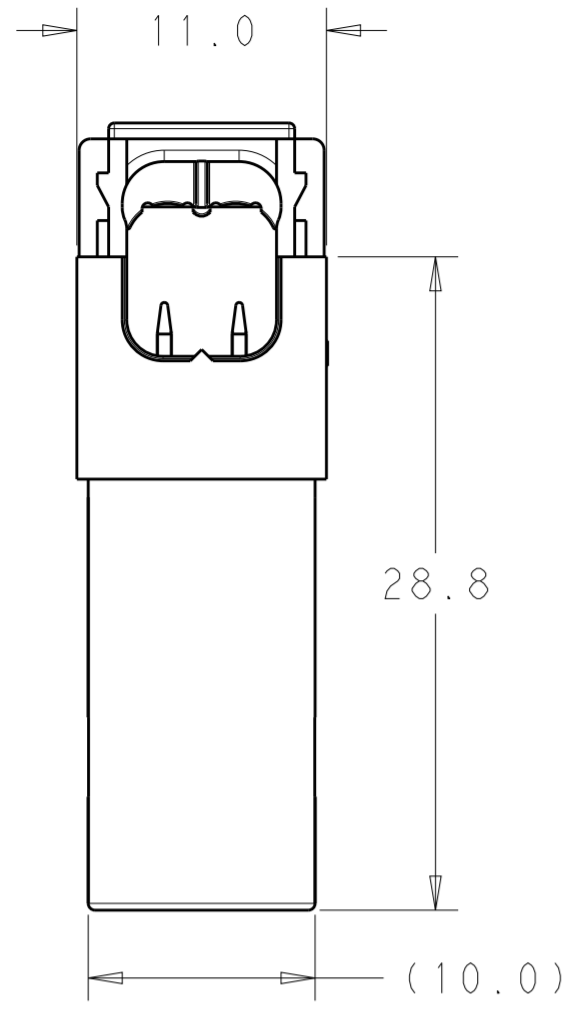
Customer Drawing

SIZE: A2 CAGE CODE: 00779 DRAWING NO: C-2213222 RESTRICTED TO: -

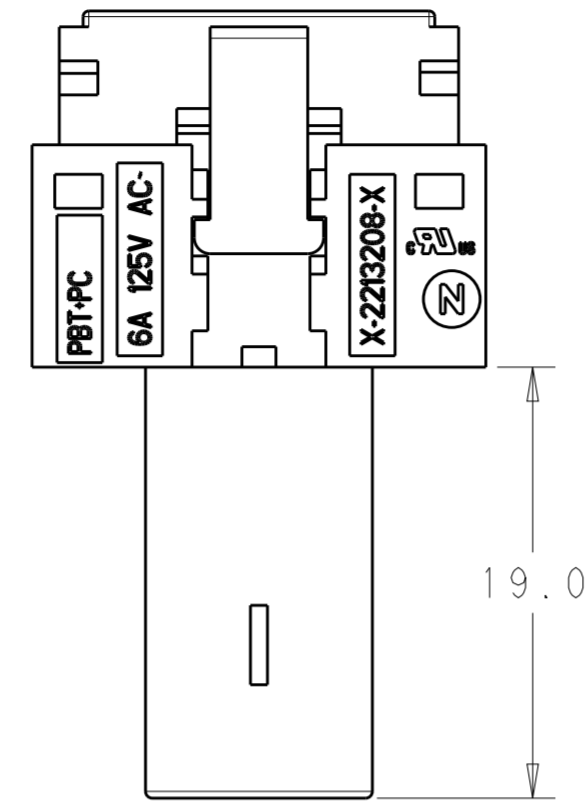
SCALE: 2 SHEET: 1 OF 3 REV: B

THIS DRAWING IS UNPUBLISHED. RELEASED FOR PUBLICATION 20
 © COPYRIGHT 20 BY - ALL RIGHTS RESERVED.

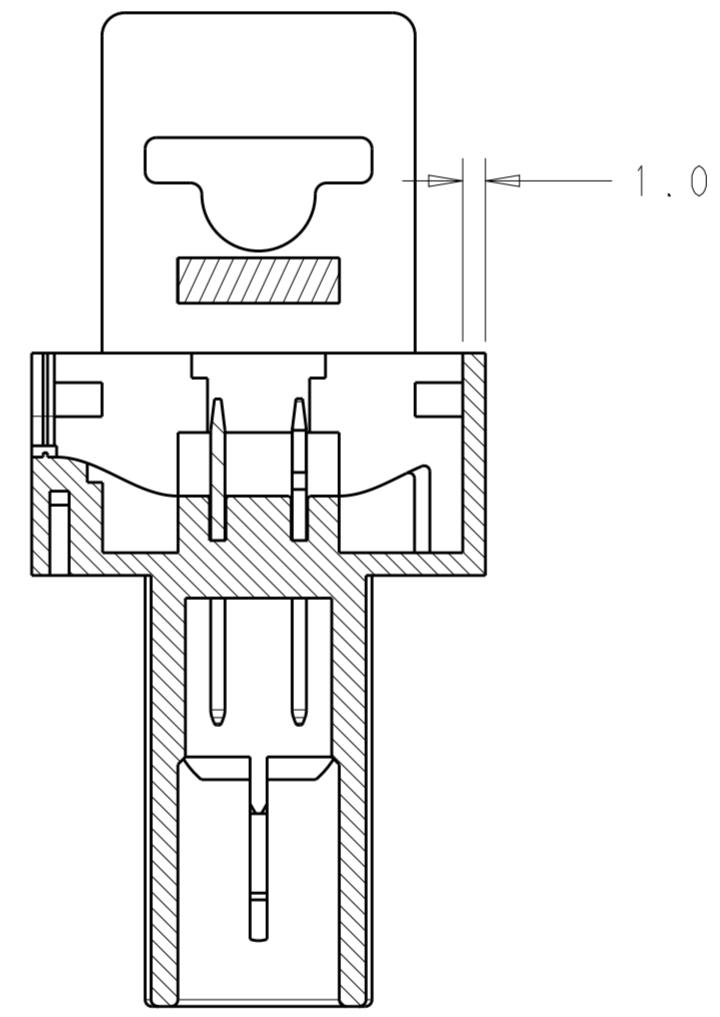
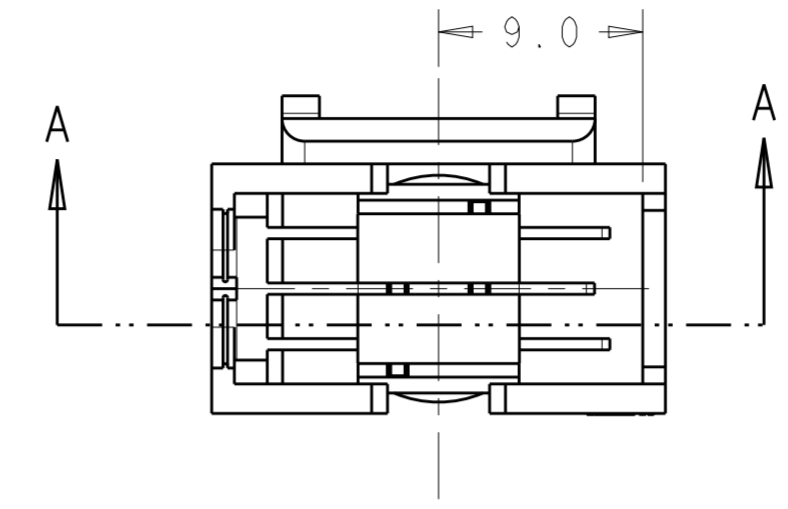
LOC	DIST	REVISIONS			
P	LTR	DESCRIPTION	DATE	DWN	APVD
-	-	SEE SHEET 1	-	-	-



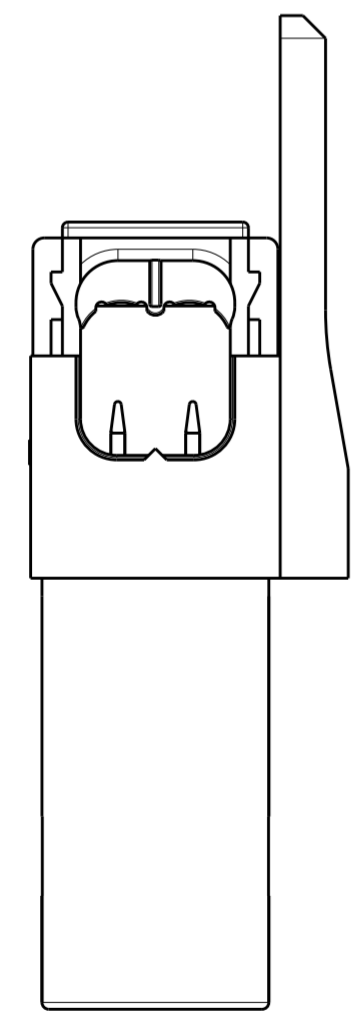
HOUSING WITHOUT TAB



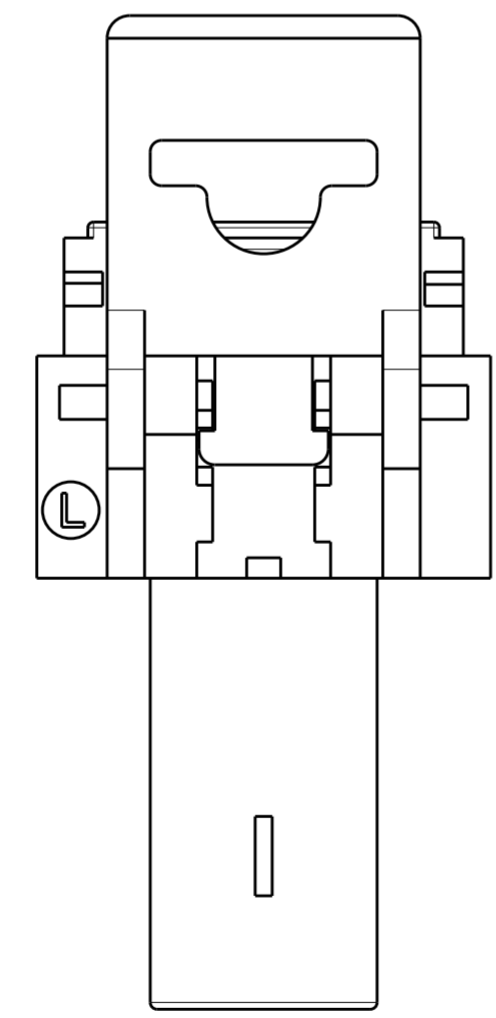
END HOUSING WITH TAB



SECTION A-A
SCALE 3:1



HOUSING WITH TAB

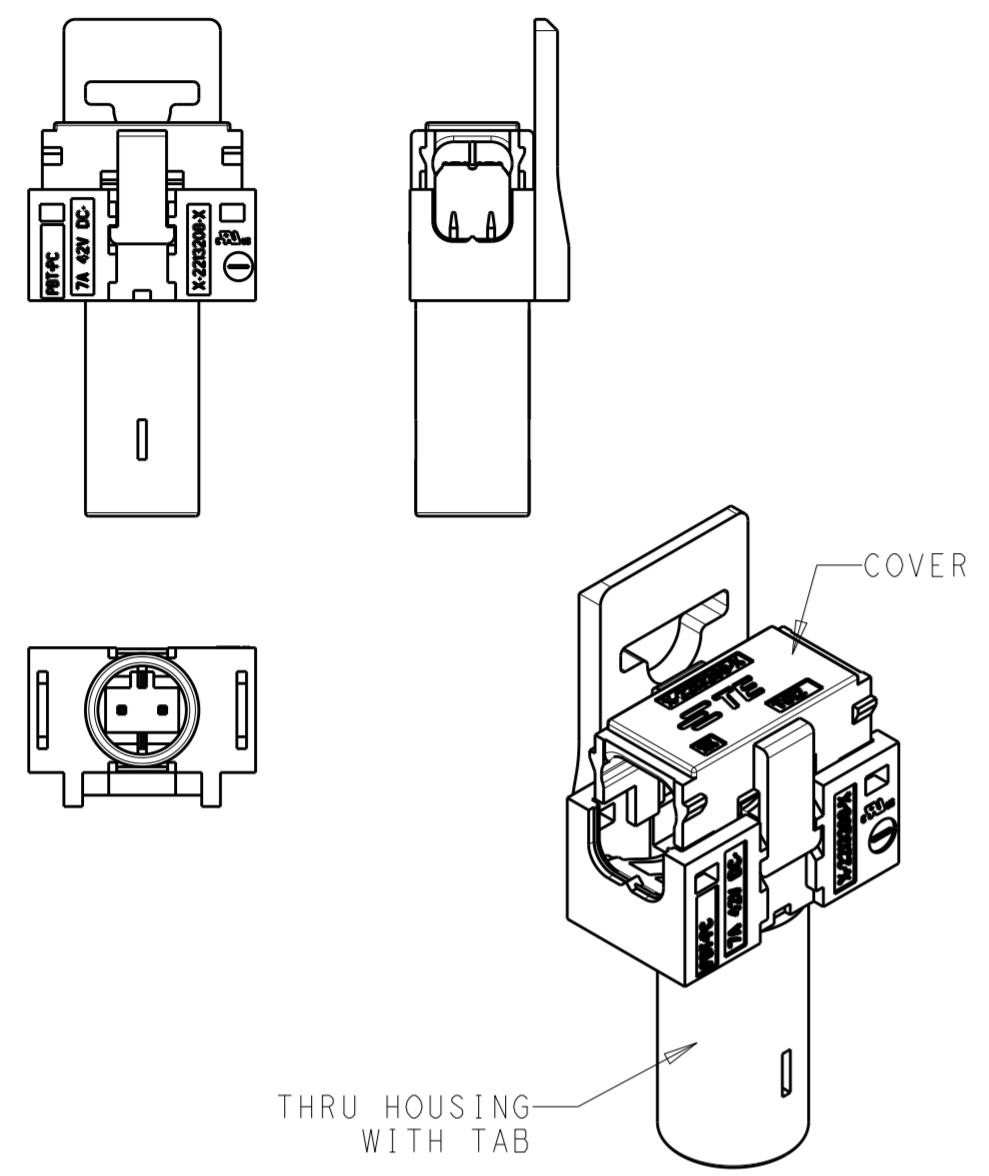


THIS DRAWING IS A CONTROLLED DOCUMENT.		DWN RAVI.S 18MAR2013	TE Connectivity		
DIMENSIONS: mm		CHK C. GINGRICH 18MAR2013			NAME ASSEMBLY: NECTOR S BUS BAR NA
TOLERANCES UNLESS OTHERWISE SPECIFIED:		APVD C. GINGRICH 18MAR2013			SIZE 108-20294
0 PLC ±0.5 1 PLC ±0.15 2 PLC ±0.1 3 PLC ± 4 PLC ± ANGLES ±1 FINISH		PRODUCT SPEC 114-20131			RESTRICTED TO -
MATERIAL	-	WEIGHT -	SCALE 2	SHEET 2 OF 3	REV B

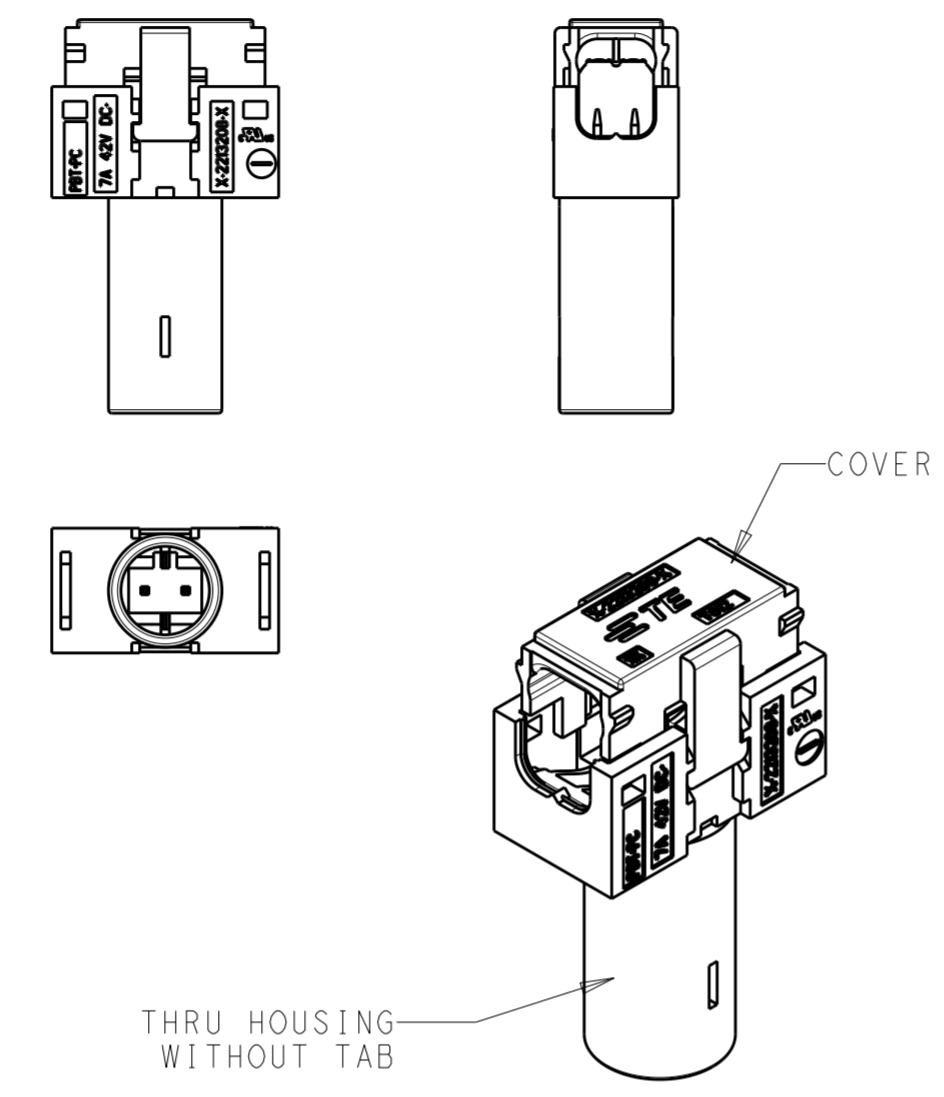
THIS DRAWING IS UNPUBLISHED. RELEASED FOR PUBLICATION 20
 © COPYRIGHT 20 BY - ALL RIGHTS RESERVED.

LOC		DIST		REVISIONS			
P	LTR	DESCRIPTION	DATE	DWN	APVD		
-	-	SEE SHEET 1	-	-	-		

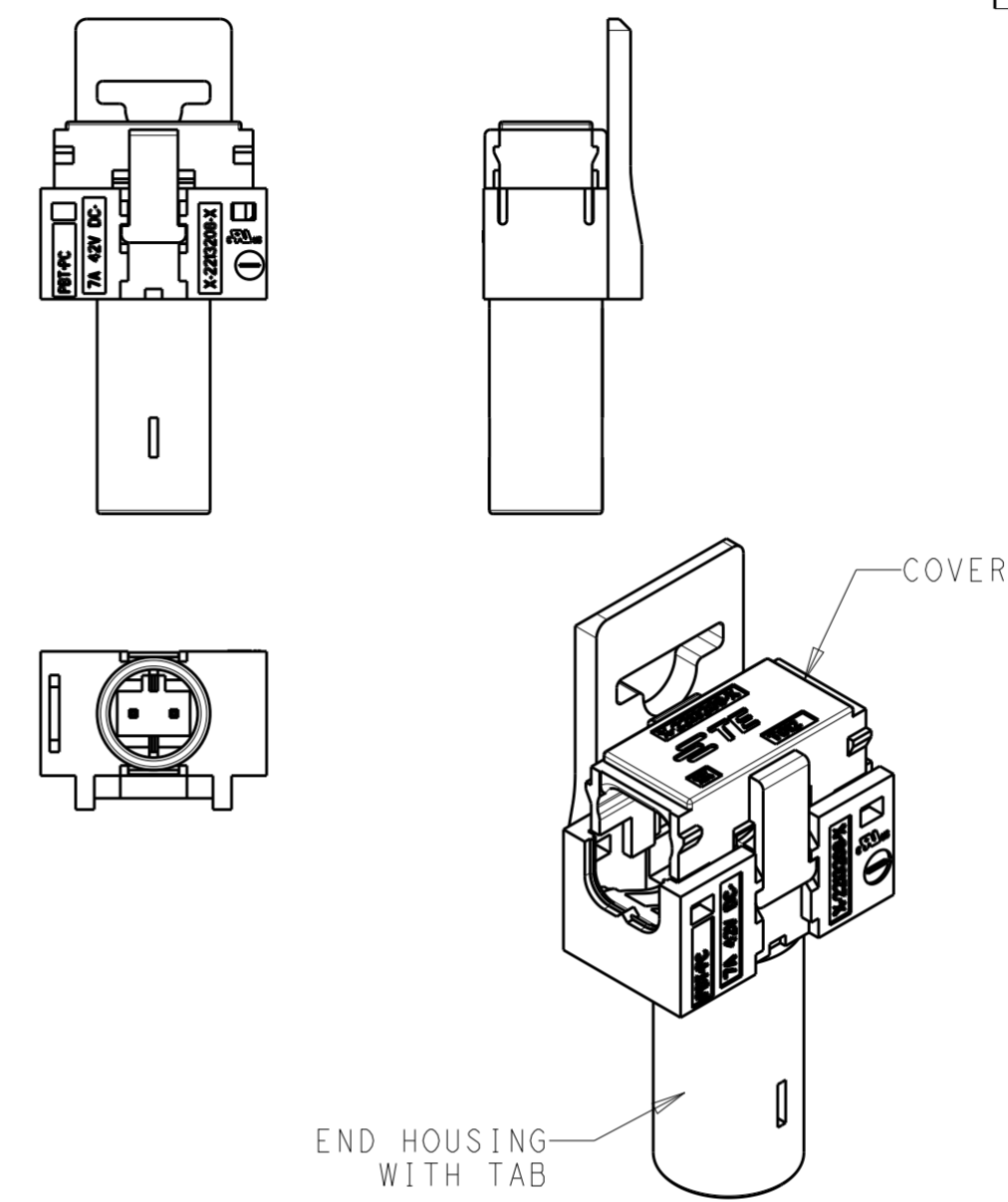
P/N 2213222-4 W/SEAL GEL
 P/N 4-2213222-4 W/O SEAL GEL
 POLARIZATION KEY LV-2



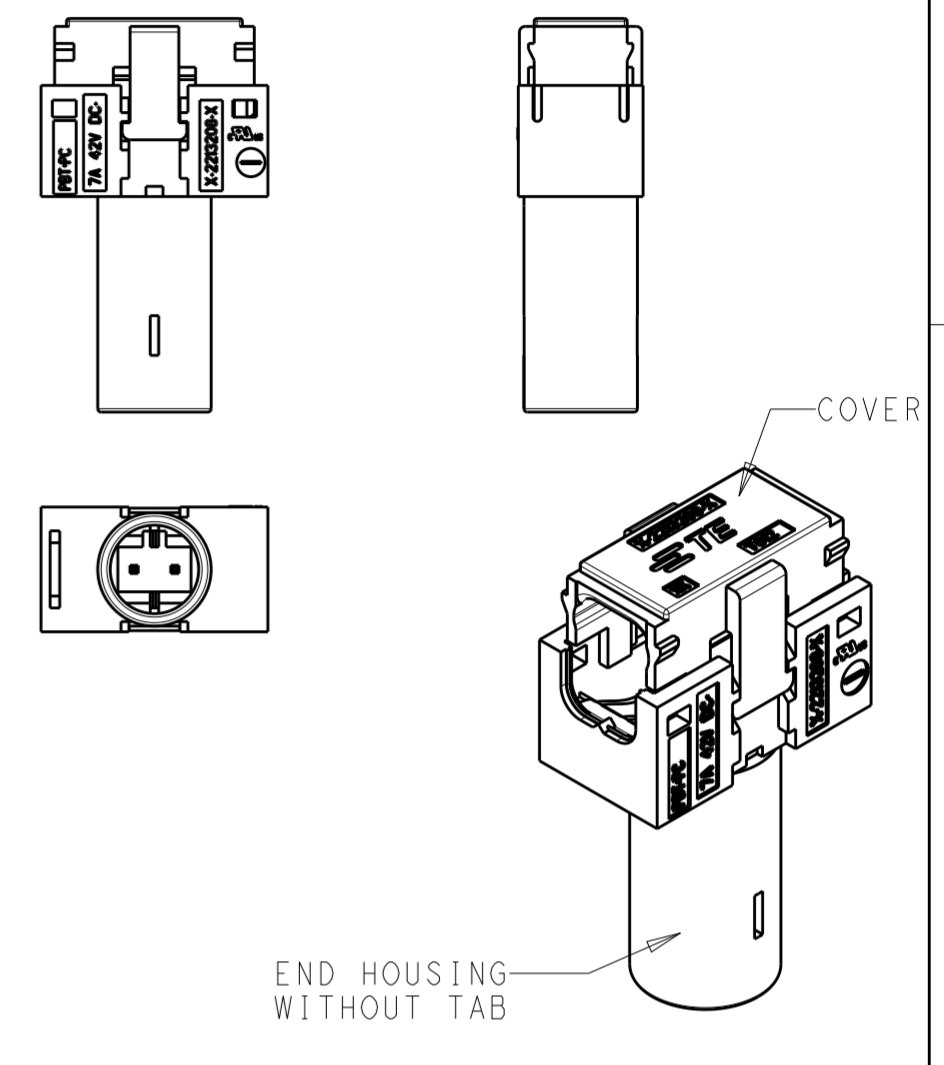
P/N 1-2213222-4 W/SEAL GEL
 P/N 5-2213222-4 W/O SEAL GEL
 POLARIZATION KEY LV-2



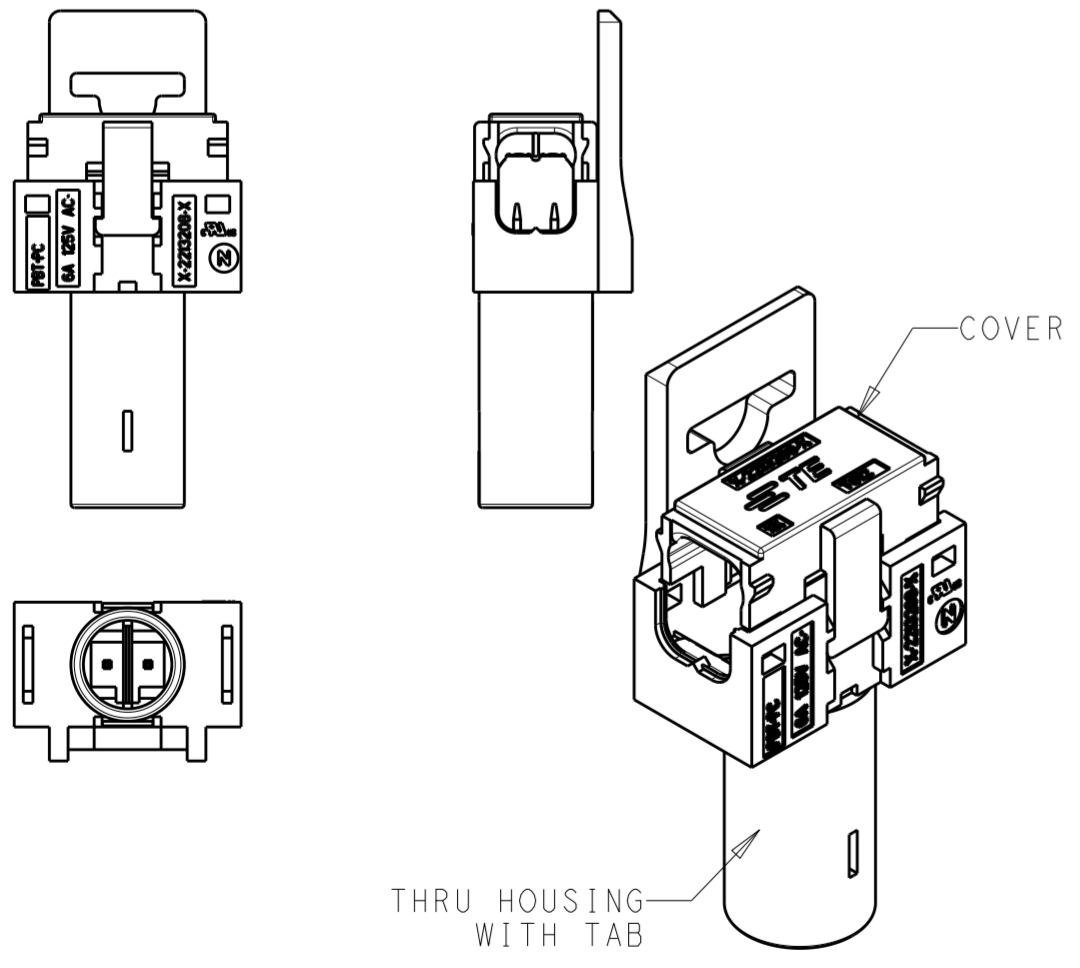
P/N 2-2213222-4 W/ SEAL GEL
 P/N 6-2213222-4 W/O SEAL GEL
 POLARIZATION KEY LV-2



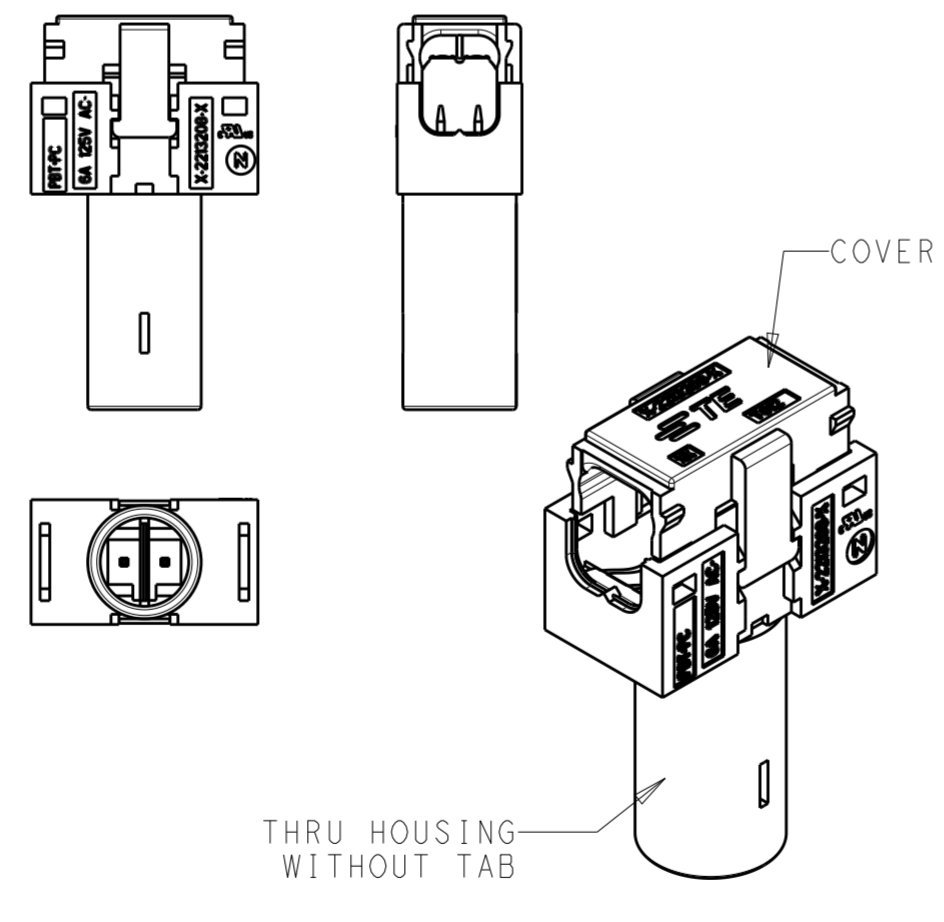
P/N 3-2213222-4 W/ SEAL GEL
 P/N 7-2213222-4 W/O SEAL GEL
 POLARIZATION KEY LV-2



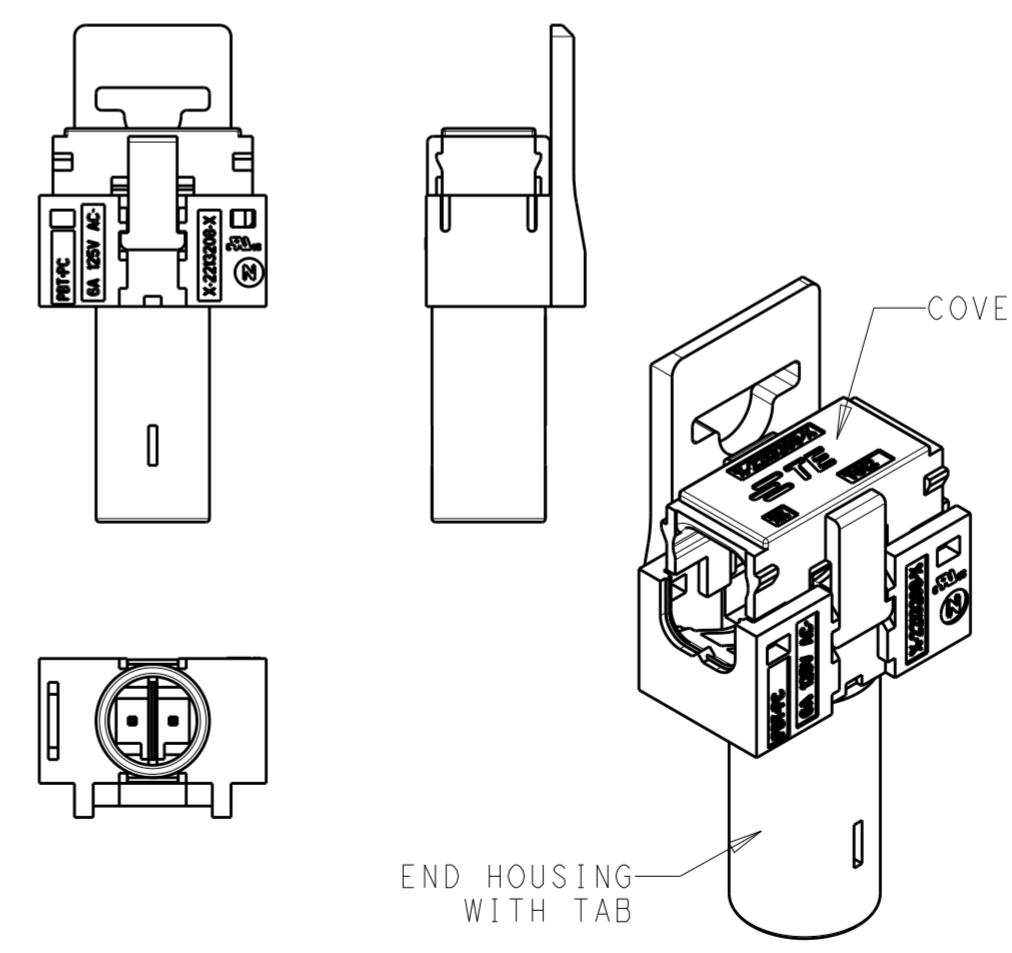
P/N 2213222-1 W/ SEAL GEL
 P/N 4-2213222-1 W/O SEAL GEL
 POLARIZATION KEY HV-3



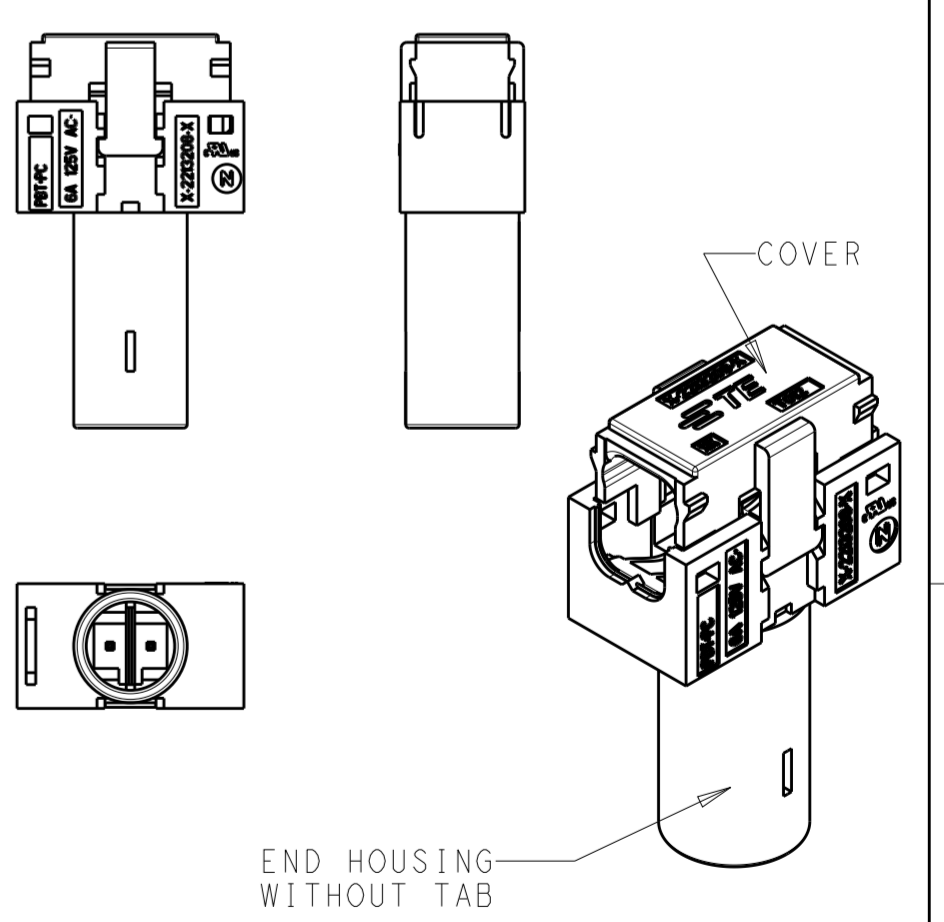
P/N 1-2213222-1 W/ SEAL GEL
 P/N 5-2213222-1 W/O SEAL GEL
 POLARIZATION KEY HV-3



P/N 2-2213222-1 W/ SEAL GEL
 P/N 6-2213222-1 W/O SEAL GEL
 POLARIZATION KEY HV-3



P/N 3-2213222-1 W/ SEAL GEL
 P/N 7-2213222-1 W/O SEAL GEL
 POLARIZATION KEY HV-3



THIS DRAWING IS A CONTROLLED DOCUMENT.

DIMENSIONS:	TOLERANCES UNLESS OTHERWISE SPECIFIED:	DWN	18MAR2013
mm	0 PLC ±0.5	CHK	18MAR2013
	1 PLC ±0.15	C	GINGRICH
	2 PLC ±0.1	APVD	18MAR2013
	3 PLC ±	C	GINGRICH
	4 PLC ±	PRODUCT SPEC	108-20294
	ANGLES ±1	APPLICATION SPEC	114-20131
MATERIAL	FINISH	WEIGHT	-
-	-	Customer Drawing	SCALE 2 SHEET 3 OF 3 REV B

STE TE Connectivity
 NAME ASSEMBLY: NECTOR S BUS BAR NA
 SIZE CAGE CODE DRAWING NO RESTRICTED TO
 A200779 C-2213222

Mouser Electronics

Authorized Distributor

Click to View Pricing, Inventory, Delivery & Lifecycle Information:

[TE Connectivity:](#)

[6-2213222-1](#)