

**PLEASE CHECK WWW.MOLEX.COM FOR LATEST PART INFORMATION**

**Part Number:** **0521170413**  
**Status:** **Active**  
**Overview:** Mizu Sealed Connectors  
**Description:** Mizu-P25 2.50mm Pitch Waterproof Wire-to-Wire Receptacle Housing, 2 Circuits, Wide Body Type, Black

**Documents:**

<a href="#">3D Model</a>	<a href="#">Product Specification PS-52117-008-001 (PDF)</a>
<a href="#">Drawing (PDF)</a>	<a href="#">Packaging Specification 521170000-P00 (PDF)</a>
<a href="#">3D Model (PDF)</a>	<a href="#">RoHS Certificate of Compliance (PDF)</a>

**Agency Certification**

UL E29179

**Application tooling part link**

Application Tooling Part Link 62202-4400

**General**

Product Family	Crimp Housings
Series	52117
Application	Signal, Wire-to-Wire
Overview	<a href="#">Mizu Sealed Connectors</a>
Product Name	Mizu-P25 Waterproof, Splash Proof
UPC	756054598092

**Physical**

Circuits (maximum)	2
Color - Resin	Black
Gender	Receptacle
Glow-Wire Capable	No
Lock to Mating Part	Yes
Material - Resin	Polyester
Net Weight	1020.000/mg
Number of Rows	1
Packaging Type	Tray
Panel Mount	No
Pitch - Mating Interface	2.50mm
Stackable	No
Temperature Range - Operating	-40° to +105°C

**Electrical**

Current - Maximum per Contact 3.0A

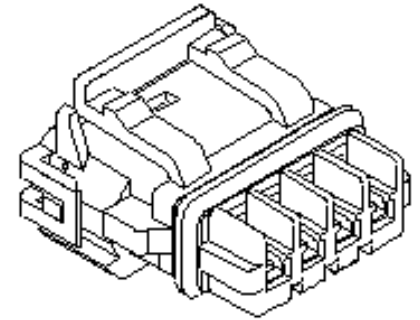
**Solder Process Data**

Lead-freeProcess Capability N/A

**Material Info**

**Reference - Drawing Numbers**

Packaging Specification	521170000-P00
Product Specification	PS-52117-008-001
Sales Drawing	SD-52117-002-001



Series image - Reference only

**EU ELV**

**Compliant**

**EU RoHS**

**Compliant**

**REACH SVHC**

Not Contained Per -  
D(2021)4569-DC (8  
July 2021)

**Halogen-Free**

**Status**

**Not Low-Halogen**

For more information, please visit [Contact US](#)

China ROHS

ELV

RoHS Phthalates

Green Image

Compliant

Not Contained

**Search Parts in this Series**

[52117 Series](#)

**Mates With**

[52116 Mizu-P25 2.50mm Pitch Waterproof Wire-to-Wire Plug Housing](#)

**Use With**

[50039 Mizu-P25 Crimp Terminal](#)

**Application Tooling | [FAQ](#)**

*Tooling specifications and manuals are found by selecting the products below. Crimp Height Specifications are then contained in the Application Tooling Specification document.*

**Global**

**Description**

**Product #**

Sealing Cap Hand

[622024400](#)

Tool

# Mouser Electronics

Authorized Distributor

Click to View Pricing, Inventory, Delivery & Lifecycle Information:

[Molex:](#)

[52117-0413](#)