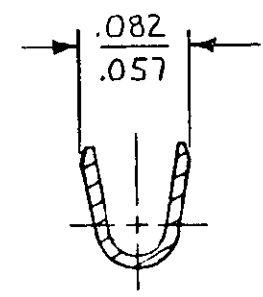
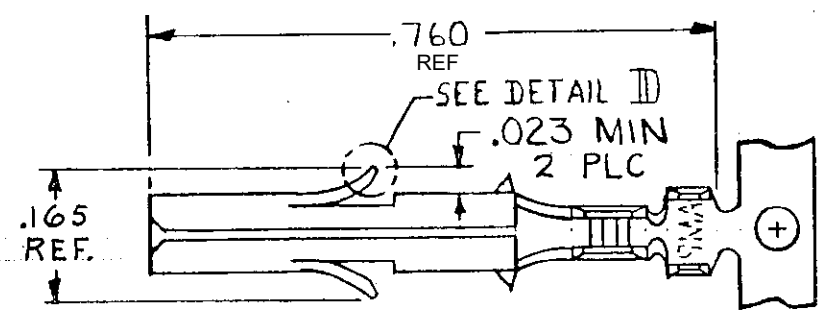
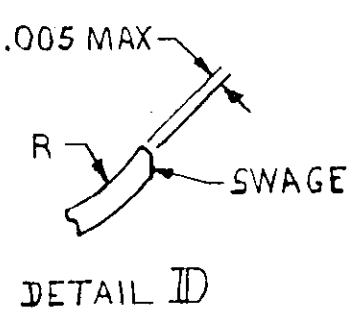
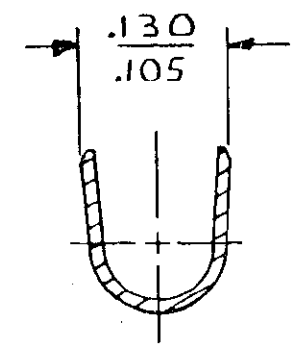
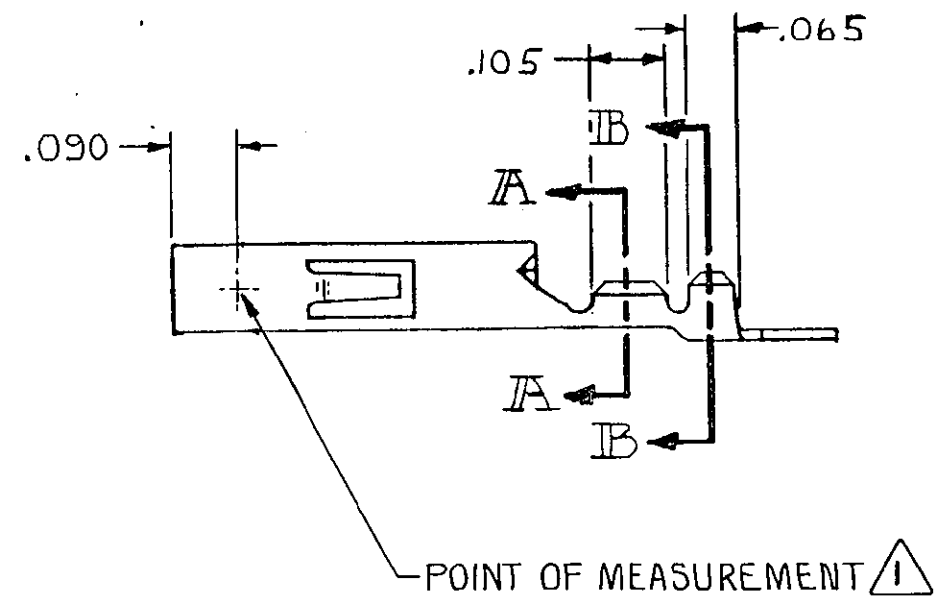


DRAWING MADE IN THIRD ANGLE PROJECTION

© COPYRIGHT 1976 BY AMP INCORPORATED, HARRISBURG, PA.
 ALL INTERNATIONAL RIGHTS RESERVED. AMP INCORPORATED PRODUCTS
 COVERED BY U. S. AND FOREIGN PATENTS AND/OR PATENTS PENDING.



SECTION A-A
NOT TO SCALE



SECTION B-B
NOT TO SCALE

REVISIONS						
P	H	ZONE	LTR	DESCRIPTION	DATE	APPROVED
✓			E	REDRAWN W/O CHANGE M-6457	6-5-81	MSF/DH
✓			F	REVISED AG 57	10/21/83	SP W. K. Miller S. J. Jammer
✓			G	ADDED -6 PER TTI CM 84-03	9-27-81	KW / RJ
✓			G1	RESTORATION	4-23-89	ST / KB
✓			H	OBSOLETE -6 PER CM-2604	11-2-89	PKC / RS
✓			J	REVISED PER CM-2812	3-26-90	PKC / RS
			K	REACT. -6 PER PR CM 91-144	12-17-91	DS / RS
			L	REV PER EC 0730-3607-91	1-6-94	RV / RS
			L1	REVISED PER ECR-19-001179	08FEB2019	BDA / FS

△ .000030 MIN. GOLD OVER .000050 NICKEL.

△	.012 PH BRZ	350925-6
PRE-TIN	.012 BRASS	350925-1
FINISH	MATERIAL	PART NO

UNLESS OTHERWISE SPECIFIED DIMENSIONS ARE IN INCHES. TOLERANCES ON: DECIMALS ± .015 ANGLES ±	CONTRACT NO	STE TE Connectivity		
	DR <i>m. Feher 4-21-81</i>			
	WIRE RANGE	NAME	SOCKET, UNIVERSAL MATE-N-LOK	
	30-26 AWG	APPD <i>R. Polakof 6-10-81</i>		
INSULATION RANGE	DSGN APPD	SIZE	CODE IDENT NO	DRAWING NO
.032-.057 DIA	OTHER APPD	B	00779	350925
		SCALE 4-1		SHEET

Mouser Electronics

Authorized Distributor

Click to View Pricing, Inventory, Delivery & Lifecycle Information:

[TE Connectivity:](#)

[350925-1](#)