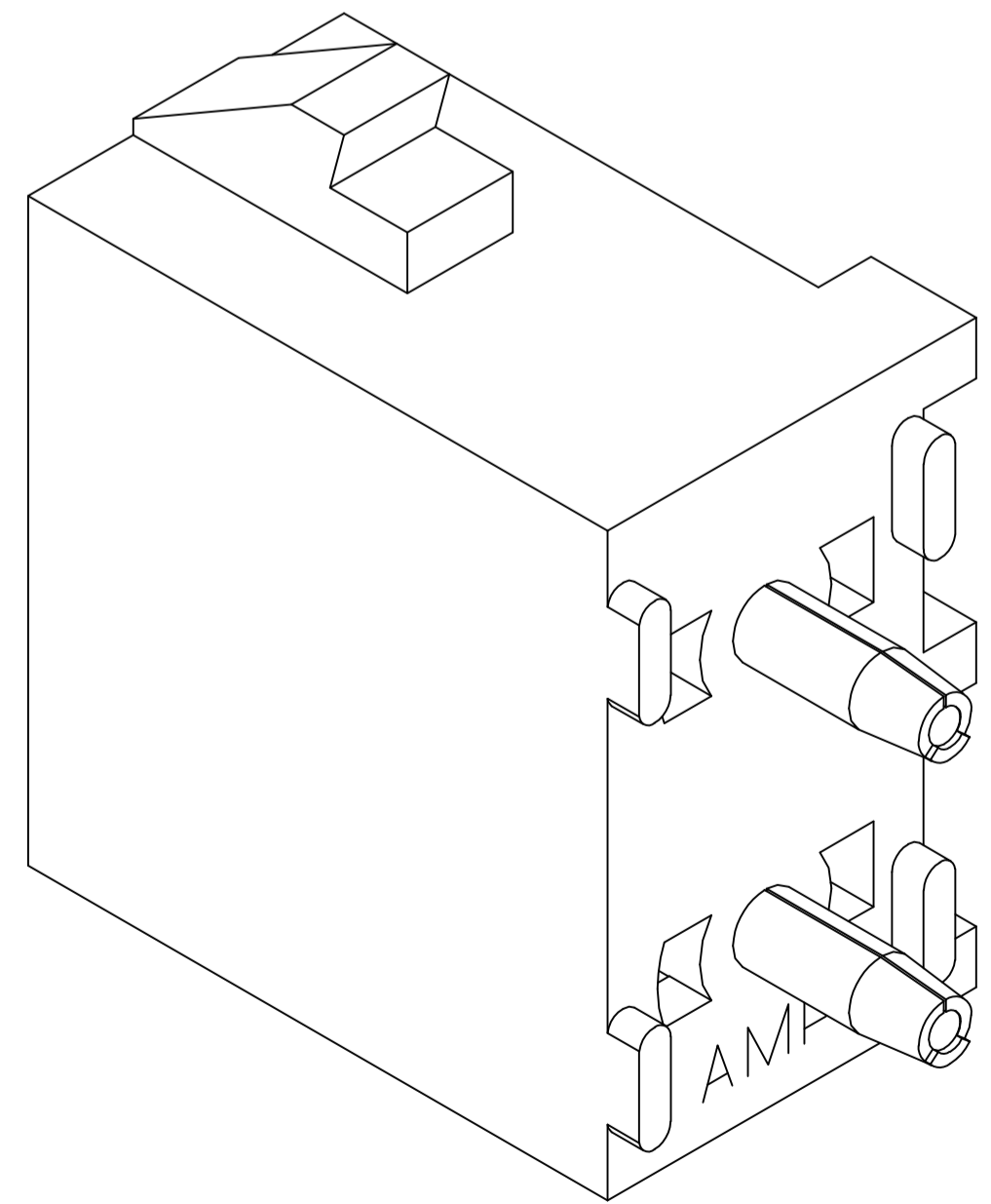
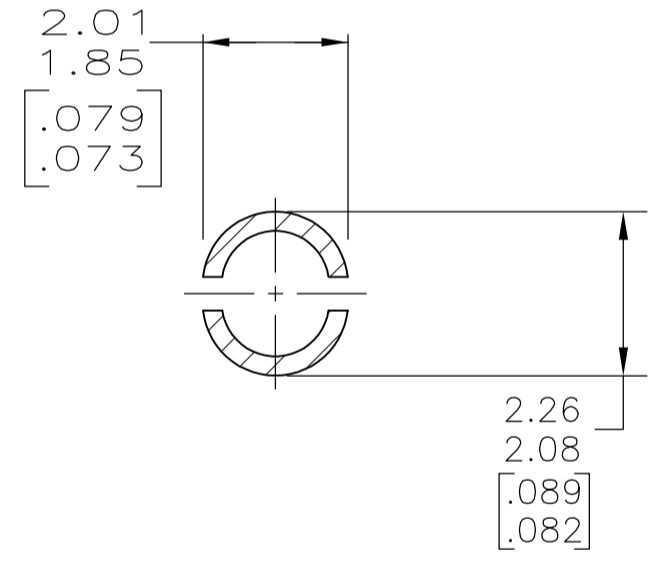
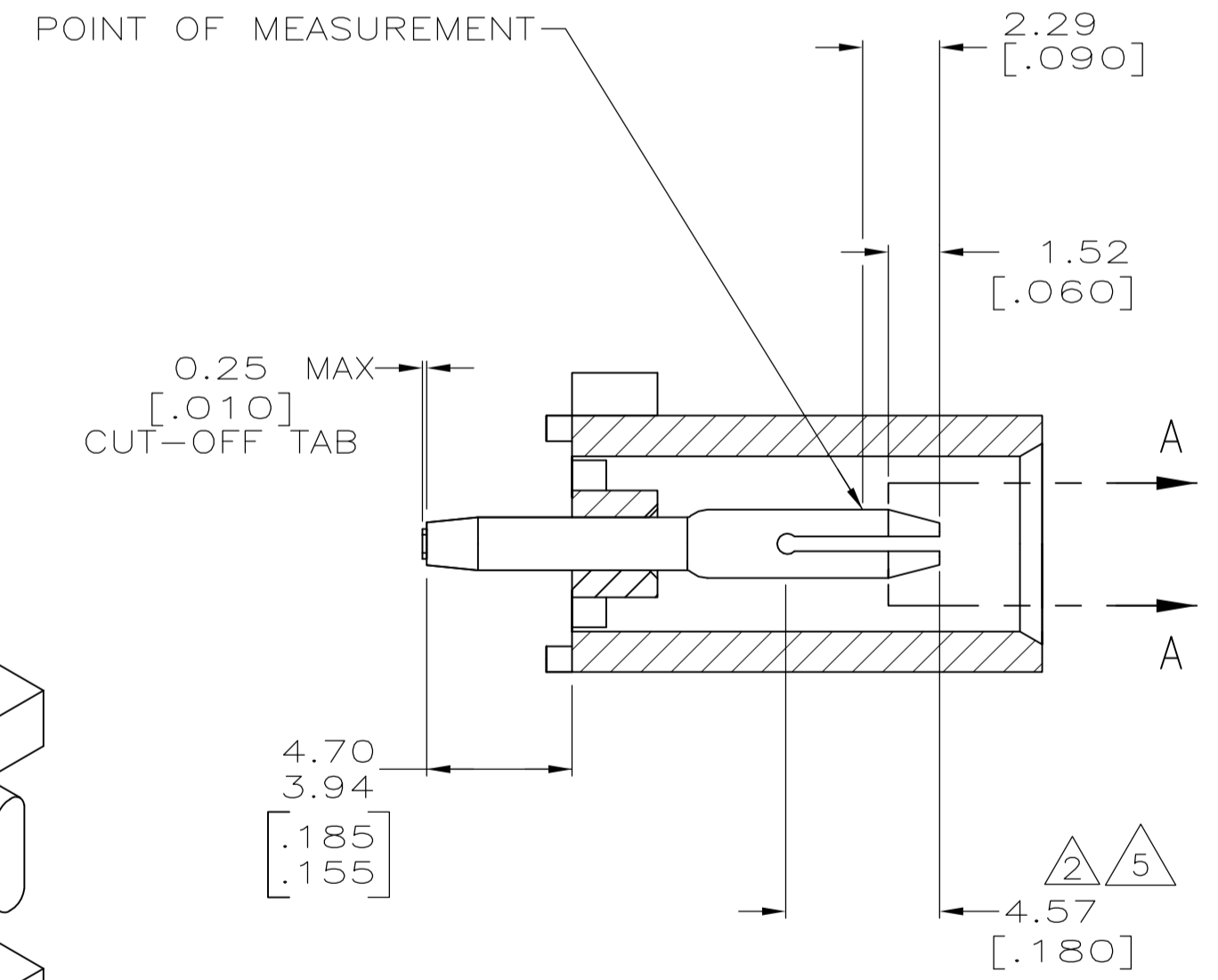


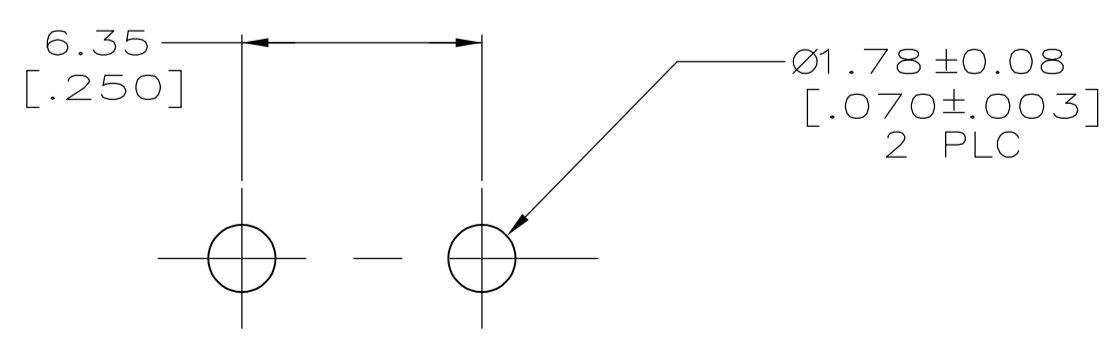
- 1 PARTS COMPLY TO AMP SOLDERABILITY SPECIFICATION 109-11-3.
- 2 CONTACT IS PLATED OVERALL WITH 0.00127 [.000050] NICKEL, THEN 0.00076 [.000030] GOLD OVER CONTACT LENGTH INDICATED AND MATTE TIN-LEAD ON SOLDER TAIL END.
- 3 CIRCUIT IDENTIFICATION CHARACTERS ARE ADJACENT TO THE INDICATED CAVITIES, BUT LOCATION AND ORIENTATION MAY DIFFER FROM PRINT.
- 4 DIMENSIONS IN BRACKETS ARE IN INCHES.
- 5 CONTACT IS PLATED OVERALL WITH 0.00127 [.000050] NICKEL, THEN 0.00076 [.000030] GOLD OVER CONTACT LENGTH INDICATED AND MATTE TIN ON SOLDER TAIL END.
- 6 SUPERSEDED BY 350786-3



3-DIMENSIONAL MODEL NTS



SECTION A-A SCALE 10:1



RECOMMENDED MOUNTING HOLE PATTERN FOR 1.57 [.062] THICK P.C. BOARD

PHOSPHOR BRONZE, PRE-TIN	NYLON, UL94V-0, BLUE	1-350786-6
PHOSPHOR BRONZE, PRE-TIN	NYLON, UL94V-0, RED	1-350786-2
PHOSPHOR BRONZE, GOLD 5	NYLON, UL94V-0, WHITE	350786-3
PHOSPHOR BRONZE, GOLD 2	NYLON, UL94V-0, WHITE	350786-2
PHOSPHOR BRONZE, PRE-TIN	NYLON, UL94V-0, WHITE	350786-1
PIN CONTACT MATERIAL AND FINISH		HOUSING MATERIAL
		PART NUMBER

THIS DRAWING IS A CONTROLLED DOCUMENT.		DIN S. CARPENTER 24JUN2003		TE Connectivity	
DIMENSIONS: mm [INCHES]		CHK S. RIDGILL 24JUN2003			
TOLERANCES UNLESS OTHERWISE SPECIFIED:		APVD S. RIDGILL 24JUN2003		NAME	
0 PLC ±		PRODUCT SPEC		PIN HEADER ASSEMBLY, 2 CIRCUIT UNIVERSAL MATE-N-LOK(TM)	
1 PLC ±		APPLICATION SPEC		SIZE	
2 PLC ± 0.13 [.005]		WEIGHT		CAGE CODE	
3 PLC ±		CUSTOMER DRAWING		DRAWING NO	
4 PLC ±		SCALE 5:1		SHEET 1 OF 1	
ANGLES ± 0°30'		REV R3		RESTRICTED TO	

Mouser Electronics

Authorized Distributor

Click to View Pricing, Inventory, Delivery & Lifecycle Information:

[TE Connectivity:](#)

[350786-3](#)