

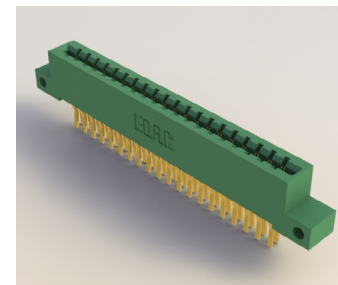
337/387 SERIES



Card Edge Connectors 0.156" (3.96mm) Pitch

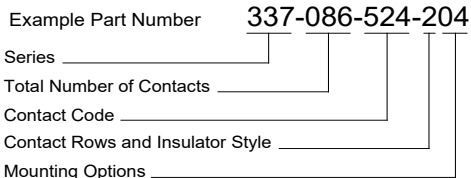
Features:

- 0.156" (3.96mm) contact spacing by 0.200" (5.08mm) row spacing
- Accepts 0.062" (1.57mm) nominal thickness P.C. board
- High profile insulator body, 0.600" (15.24mm)
- Card slot depth 0.330" (8.38mm)
- Contact termination options include P.C. tail, wire hole, wire wrap, 90° and extender board bends
- Single or dual row configurations
- Large variety of mounting options, flush or offset lugs
- Accepts between contact and in-contact polarizing keys
- Pre-assembled card guides are available
- RoHS Compliant & UL certified



Specifications:

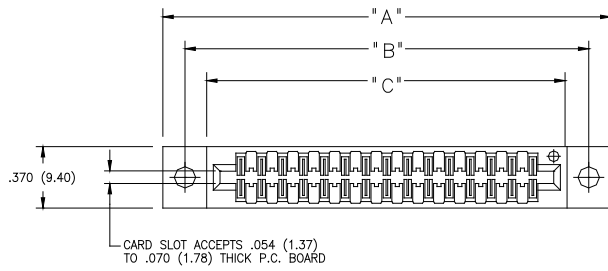
| | |
|---------------------------------|--|
| Insulator Material | UL 94V-0 Thermoplastic Polyester |
| Contact Material | Copper Alloy |
| Contact Plating | Gold Plating on mating area and Tin Plating on tails with Nickel underplating all over |
| Current Rating | 3 amps |
| Contact Resistance | 10 milliohms maximum |
| Dielectric Withstanding Voltage | 1800 V AC rms at sea level between adjacent contacts |
| Insulation Resistance | 5000 megaohms minimum |
| Operating Temperature | -40°C to +105°C |
| Insertion Force | 16 oz (4.45 N) maximum per contact pair when tested with .070" (1.78mm) thick gauge |
| Withdrawal Force | 1 oz (0.28 N) minimum per contact pair when tested with .054" (1.37mm) thick gauge |



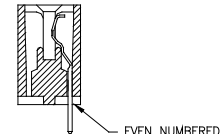
| Series: | Insulator Color: | Contact Code: | Tail Description: | Tail Size: | Tail Length "G": |
|----------------------------------|--|---------------|---------------------|---------------------------|------------------|
| 337 | Green | 500 | Wire Hole | .050 x .025 (1.27 x 0.64) | .260 (6.60) |
| 387 | Black | 520 | P.C. Tail | .030 x .018 (0.76 x 0.46) | .175 (4.45) |
| Total Number of Contacts: | Contact Rows: | 521 | P.C. Tail | .025 Square (0.64 Square) | .150 (3.81) |
| 006, 007, 043 | Single Row | 523 | P.C. Tail | .025 Square (0.64 Square) | .390 (9.91) |
| 012, 014, 086 | Dual Row | 524 | P.C. Tail | .018 Square (0.46 Square) | .175 (4.45) |
| Contact Rows: | Insulator Style: | 540 | Wire Wrap | .025 Square (0.64 Square) | .560 (14.22) |
| 1 | Single Row, Flush Mounting Lugs | 541 | Wire Wrap | .025 Square (0.64 Square) | .750 (19.05) |
| 2 | Dual Row, Flush Mounting Lugs | 542 | Wire Wrap | .025 Square (0.64 Square) | .645 (16.38) |
| 6 | Single Row, .170 (4.32) Offset Lugs | 544 | Wire Wrap | .050 x .025 (1.27 x 0.64) | .750 (19.05) |
| 8 | Dual Row, .170 (4.32) Offset Lugs | 555 | EXTENDER BOARD BEND | (Code 500 Contacts) | |
| Mounting Options: | Description: | 556 | EXTENDER BOARD BEND | (Code 520 Contacts) | |
| 01 | No Mounting Lug | 558 | 90 DEGREE BEND | (Code 541 Contacts) | |
| 02 | Ø.128" (Ø3.25mm) Mounting Holes | 559 | 90 DEGREE BEND | (Code 541 Contacts) | |
| 03 | Ø.116" (Ø2.95mm) I.D. Floating Eyelets | 560 | EXTENDER BOARD BEND | (Code 523 Contacts) | |
| 04 | Ø.156" (Ø3.96mm) Mounting Holes | | | | |
| 07 | M3-0.5 Metric Threaded Inserts | | | | |
| 08 | #4-40 Unified Threaded Inserts | | | | |
| 12 | Ø.128" (Ø3.25mm) Side Mounting Holes | | | | |
| 58 | .468" (11.89mm) Offset Card Guides | | | | |
| 68 | .344" (8.74mm) Offset Card Guides | | | | |
| 78 | In-Line Card Guides | | | | |

- Ordering Code Notes:**
- 1) All connector sizes up to 43 contacts single row / 86 contacts dual row are available upon request.
 - 2) The 500 contact code is only available in the 337 series. Green Diallyl Phthalate insulator material will be supplied.
 - 3) For details of the extender board and 90 degree bends refer to our website.
 - 4) For lugless connectors, code 01 mounting, specify contact row code 1 or 2.
 - 5) In-line card guides are only available with offset mounting lugs.
 - 6) For details of the mounting options refer to next pages.

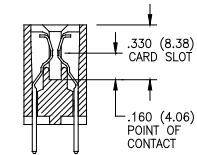
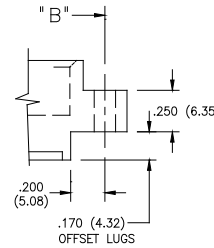
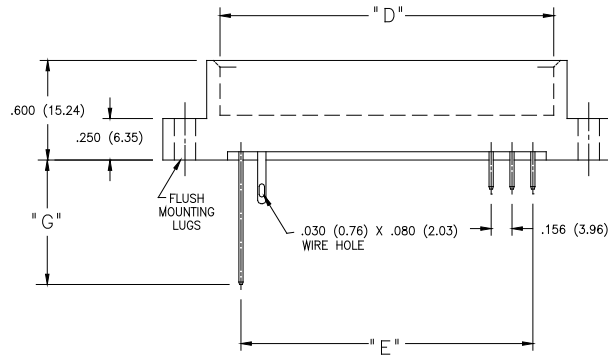
Card Edge Connectors 0.156" (3.96mm) Pitch



SECTIONS THROUGH CONTACT POSITION



SINGLE ROW

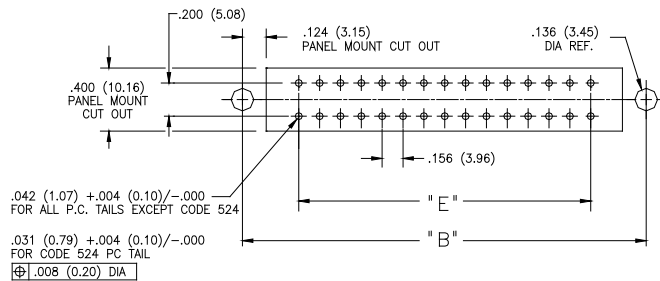
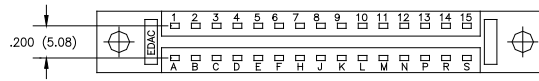
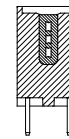


DUAL ROW

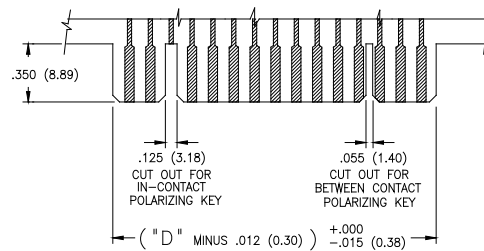
IN-CONTACT POLARIZING KEY
P/N 345-240-328



BETWEEN CONTACT POLARIZING KEY
P/N 306-240-318



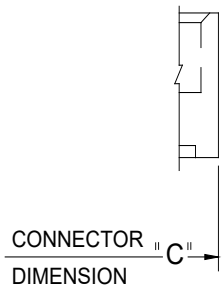
CONNECTOR MOUNTING PATTERN



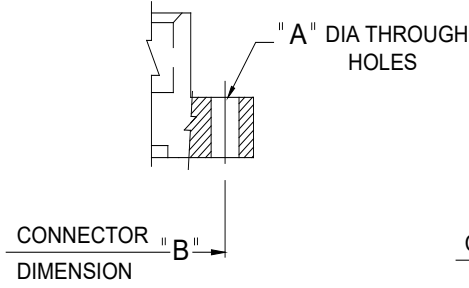
RECOMMENDED DAUGHTER BOARD

| NUMBER OF CONTACTS | | "A" | | "B" | | "C" | | "D" | | "E" | |
|--------------------|--------|-------|--------|-------|--------|-------|--------|-------|--------|-------|--------|
| Single | Double | Inch | mm | Inch | mm | Inch | mm | Inch | mm | Inch | mm |
| 6 | 12 | 1.842 | 46.79 | 1.532 | 38.91 | 1.246 | 31.65 | 1.100 | 27.94 | 0.780 | 19.81 |
| 10 | 20 | 2.466 | 62.64 | 2.156 | 54.76 | 1.870 | 47.50 | 1.724 | 43.79 | 1.404 | 35.66 |
| 12 | 24 | 2.778 | 70.56 | 2.468 | 62.69 | 2.182 | 55.42 | 2.036 | 51.71 | 1.716 | 43.59 |
| 15 | 30 | 3.246 | 82.45 | 2.936 | 74.57 | 2.650 | 67.31 | 2.504 | 63.60 | 2.184 | 55.47 |
| 18 | 36 | 3.714 | 94.34 | 3.404 | 86.46 | 3.118 | 79.20 | 2.972 | 75.49 | 2.652 | 67.36 |
| 22 | 44 | 4.338 | 110.19 | 4.028 | 102.31 | 3.742 | 95.05 | 3.596 | 91.34 | 3.276 | 83.21 |
| 25 | 50 | 4.806 | 122.07 | 4.496 | 114.20 | 4.210 | 106.93 | 4.064 | 103.23 | 3.744 | 95.10 |
| 26 | 52 | 4.962 | 126.03 | 4.652 | 118.16 | 4.366 | 110.90 | 4.220 | 107.19 | 3.900 | 99.06 |
| 28 | 56 | 5.278 | 134.06 | 4.964 | 126.09 | 4.678 | 118.82 | 4.532 | 115.11 | 4.212 | 106.98 |
| 31 | 62 | 5.742 | 145.85 | 5.432 | 137.97 | 5.146 | 130.71 | 5.000 | 127.00 | 4.680 | 118.87 |
| 33 | 66 | 6.054 | 153.77 | 5.744 | 145.90 | 5.458 | 138.63 | 5.312 | 134.92 | 4.992 | 126.80 |
| 36 | 72 | 6.522 | 165.66 | 6.212 | 157.78 | 5.926 | 150.52 | 5.780 | 146.81 | 5.460 | 138.68 |
| 43 | 86 | 7.614 | 193.40 | 7.304 | 185.52 | 7.018 | 178.26 | 6.872 | 174.55 | 6.552 | 166.42 |

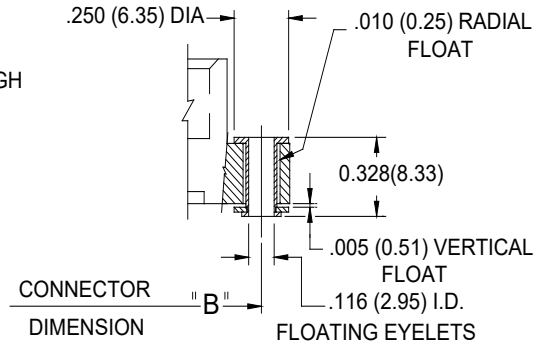
Card Edge Connectors 0.156" (3.96mm) Pitch



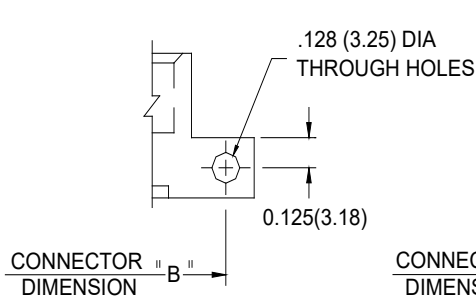
MOUNTING OPTION
CODE x01
(NO MOUNTING LUGS)



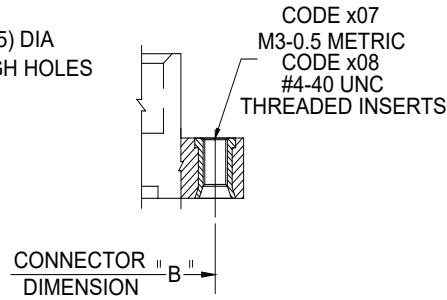
MOUNTING OPTION
CODES x02 AND x04
(THROUGH MOUNTING HOLES)



MOUNTING OPTION
CODE x03
(FLOATING EYELETS)

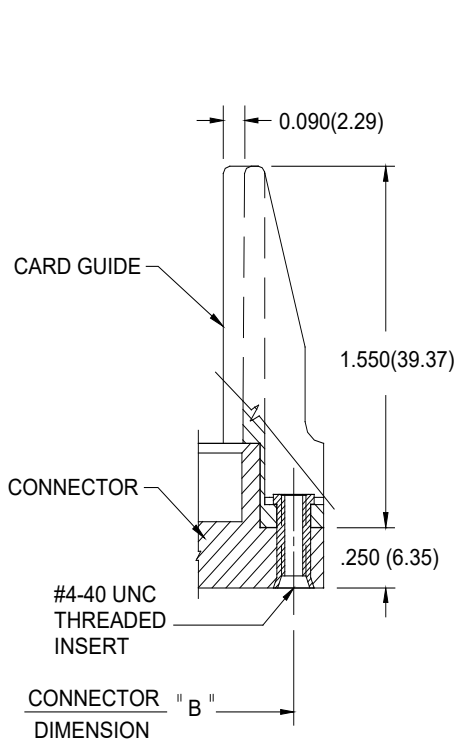


MOUNTING OPTION
CODE x12
(SIDE MOUNTING HOLES)

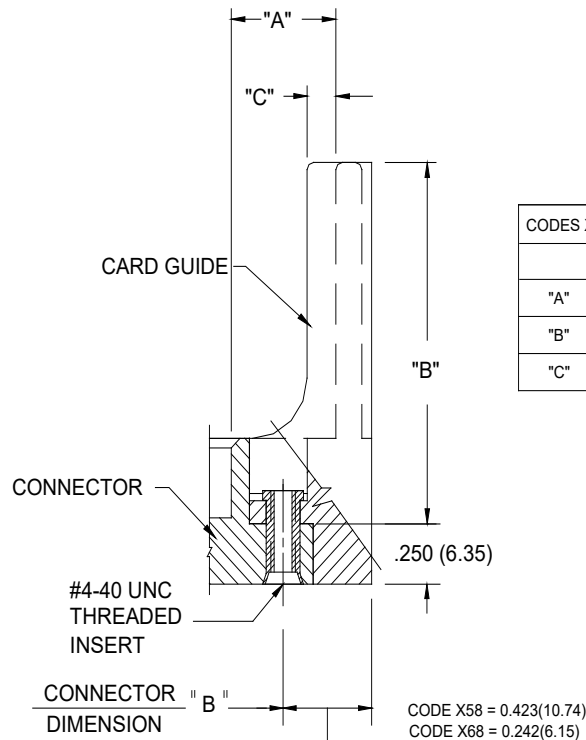


MOUNTING OPTION
CODES x07 & x08
(THREADED INSERTS)

| CODE X02 AND X04- THROUGH MTG. HOLES | | |
|--------------------------------------|----------------|-------------|
| | CODE X02 | CODE X04 |
| "A" DIA. | 0.128(3.25) | 0.156(3.96) |
| CODE X07 AND X08- THREADED INSERTS | | |
| | CODE X07 | CODE X08 |
| INSERT | M3-0.5(METRIC) | #4-40 UNC |



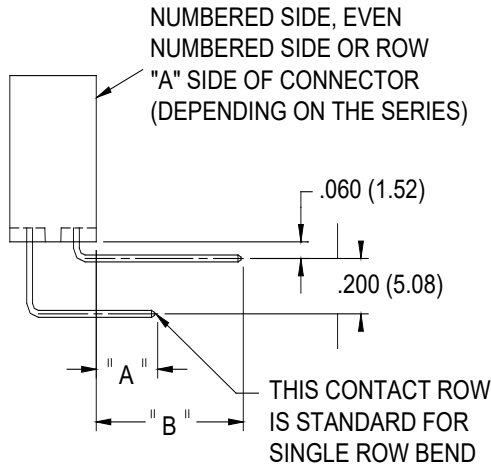
MOUNTING OPTION
CODES x78
(IN-LINE CARD GUIDE)



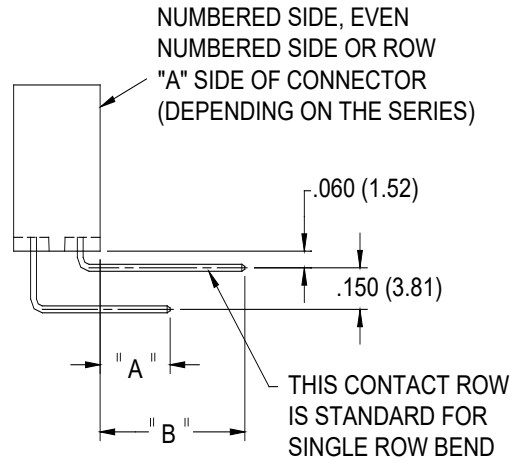
MOUNTING OPTION
CODES x58 & 68
(OFFSET CARD GUIDES)

| CODES X58 & X68- OFFSET CARD GUIDES | | |
|-------------------------------------|--------------|--------------|
| | CODE X58 | CODE X68 |
| "A" | 0.468(11.89) | 0.344(8.74) |
| "B" | 2.755(69.98) | 2.505(63.63) |
| "C" | 0.125(3.05) | 0.060(1.52) |

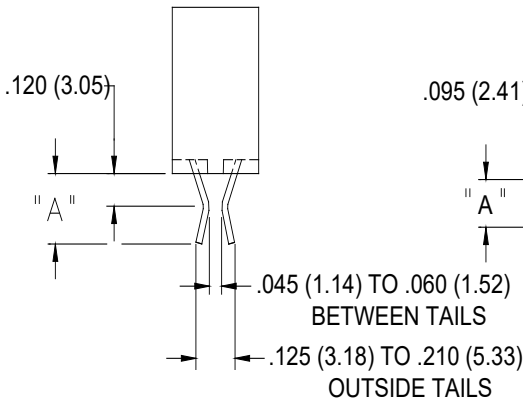
Card Edge Connectors 0.156" (3.96mm) Pitch



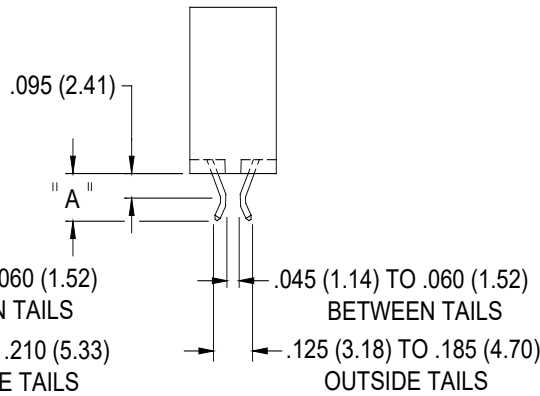
CONTACT CODE 558



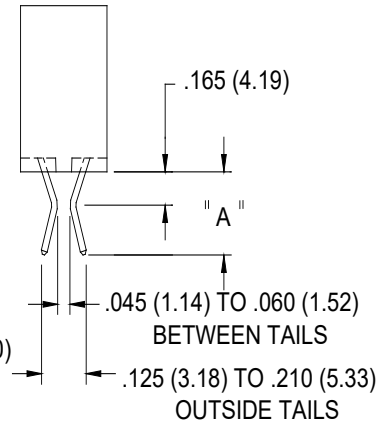
CONTACT CODE 559



CONTACT CODE 555 BEND USES WIRE HOLE CONTACTS



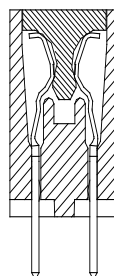
CONTACT CODE 556



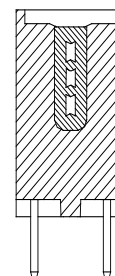
CONTACT CODE 560

| MTG. OPTION | A | B |
|-------------|-------------|--------------|
| 555 | 0.245(6.22) | |
| 556 | 0.170(4.32) | |
| 558 | 0.235(5.97) | 0.635(16.13) |
| 559 | 0.285(7.24) | 0.635(16.13) |
| 560 | 0.375(9.53) | |

IN-CONTACT
POLARIZING KEY
P/N 345-240-328



BETWEEN CONTACT
POLARIZING KEY
P/N 306-240-318



Mouser Electronics

Authorized Distributor

Click to View Pricing, Inventory, Delivery & Lifecycle Information:

EDAC:

[387-021-541-603](#) [387-021-541-604](#) [387-021-541-607](#) [387-021-541-608](#) [387-021-541-612](#) [387-021-541-658](#) [387-021-541-668](#) [387-021-541-678](#) [387-021-542-101](#) [387-021-542-102](#) [387-021-542-103](#) [387-021-542-104](#) [387-021-542-107](#) [387-021-542-108](#) [387-021-542-112](#) [387-021-542-158](#) [387-021-542-168](#) [387-021-542-602](#) [387-021-542-603](#) [387-021-542-604](#) [387-021-542-607](#) [387-021-542-608](#) [387-021-542-612](#) [387-021-542-658](#) [387-021-542-668](#) [387-021-542-678](#) [387-021-544-101](#) [387-021-544-102](#) [387-021-544-103](#) [387-021-544-104](#) [387-021-544-107](#) [387-021-544-108](#) [387-021-544-112](#) [387-021-544-158](#) [387-021-544-168](#) [387-021-544-602](#) [387-021-544-603](#) [387-021-544-604](#) [387-021-544-607](#) [387-021-544-608](#) [387-021-544-612](#) [387-021-544-658](#) [387-021-544-668](#) [387-021-544-678](#) [387-021-558-101](#) [387-021-558-102](#) [387-021-558-103](#) [387-021-558-104](#) [387-021-558-107](#) [387-021-558-108](#) [387-021-558-112](#) [387-021-558-158](#) [387-021-558-168](#) [387-021-558-602](#) [387-021-558-603](#) [387-021-558-604](#) [387-021-558-607](#) [387-021-558-608](#) [387-021-558-612](#) [387-021-558-658](#) [387-021-558-668](#) [387-021-558-678](#) [387-021-559-101](#) [387-021-559-102](#) [387-021-559-103](#) [387-021-559-104](#) [387-021-559-107](#) [387-021-559-108](#) [387-021-559-112](#) [387-021-559-158](#) [387-021-559-168](#) [387-021-559-602](#) [387-021-559-603](#) [387-021-559-604](#) [387-021-559-607](#) [387-021-559-608](#) [387-021-559-612](#) [387-021-559-658](#) [387-021-559-668](#) [387-021-559-678](#) [387-022-520-101](#) [387-022-520-102](#) [387-022-520-103](#) [387-022-520-104](#) [387-022-520-107](#) [387-022-520-108](#) [387-022-520-112](#) [387-022-520-158](#) [387-022-520-168](#) [387-022-520-201](#) [387-022-520-202](#) [387-022-520-203](#) [387-022-520-204](#) [387-022-520-207](#) [387-022-520-208](#) [387-022-520-212](#) [387-022-520-258](#) [387-022-520-268](#) [387-022-520-602](#) [387-022-520-603](#)