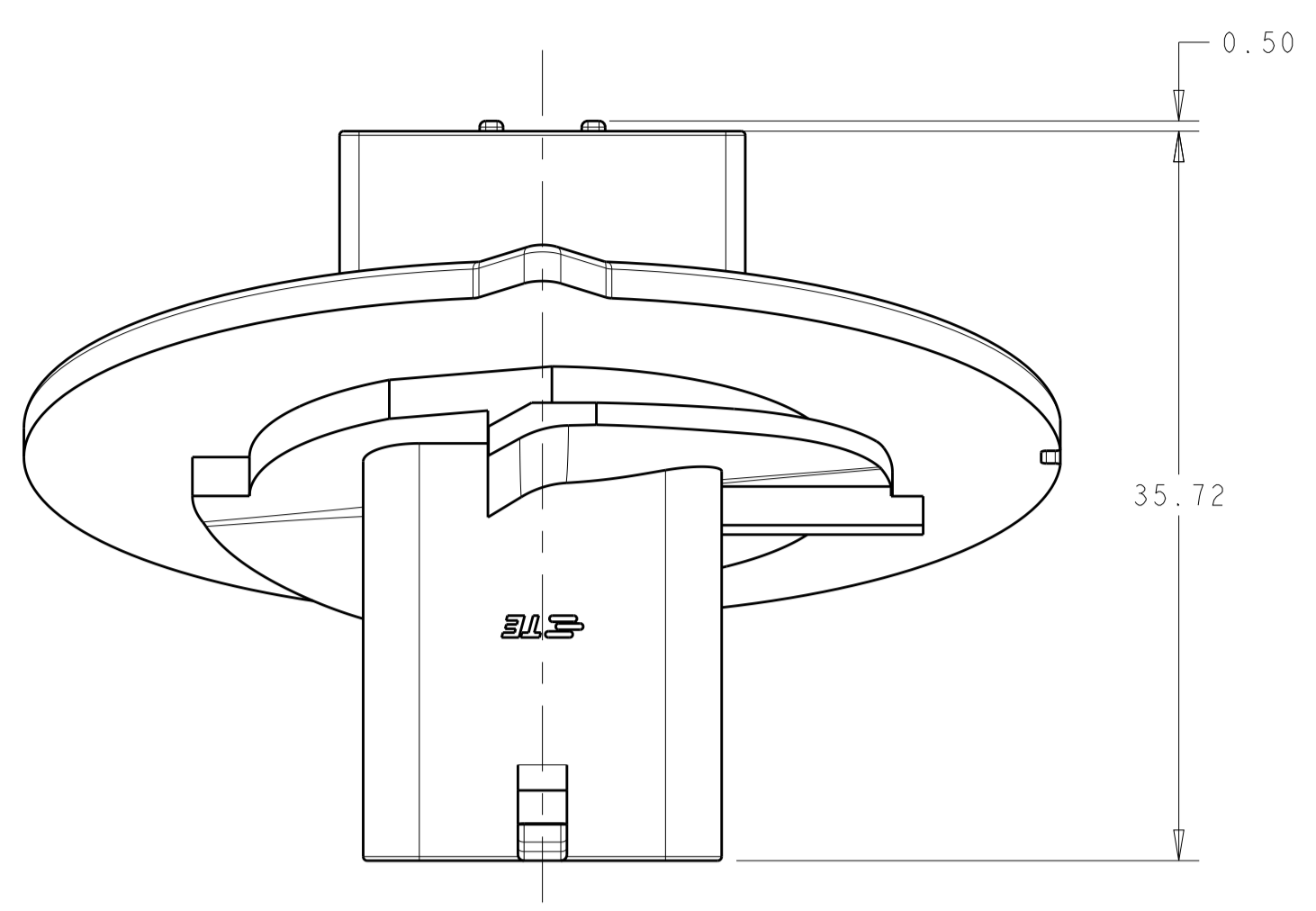
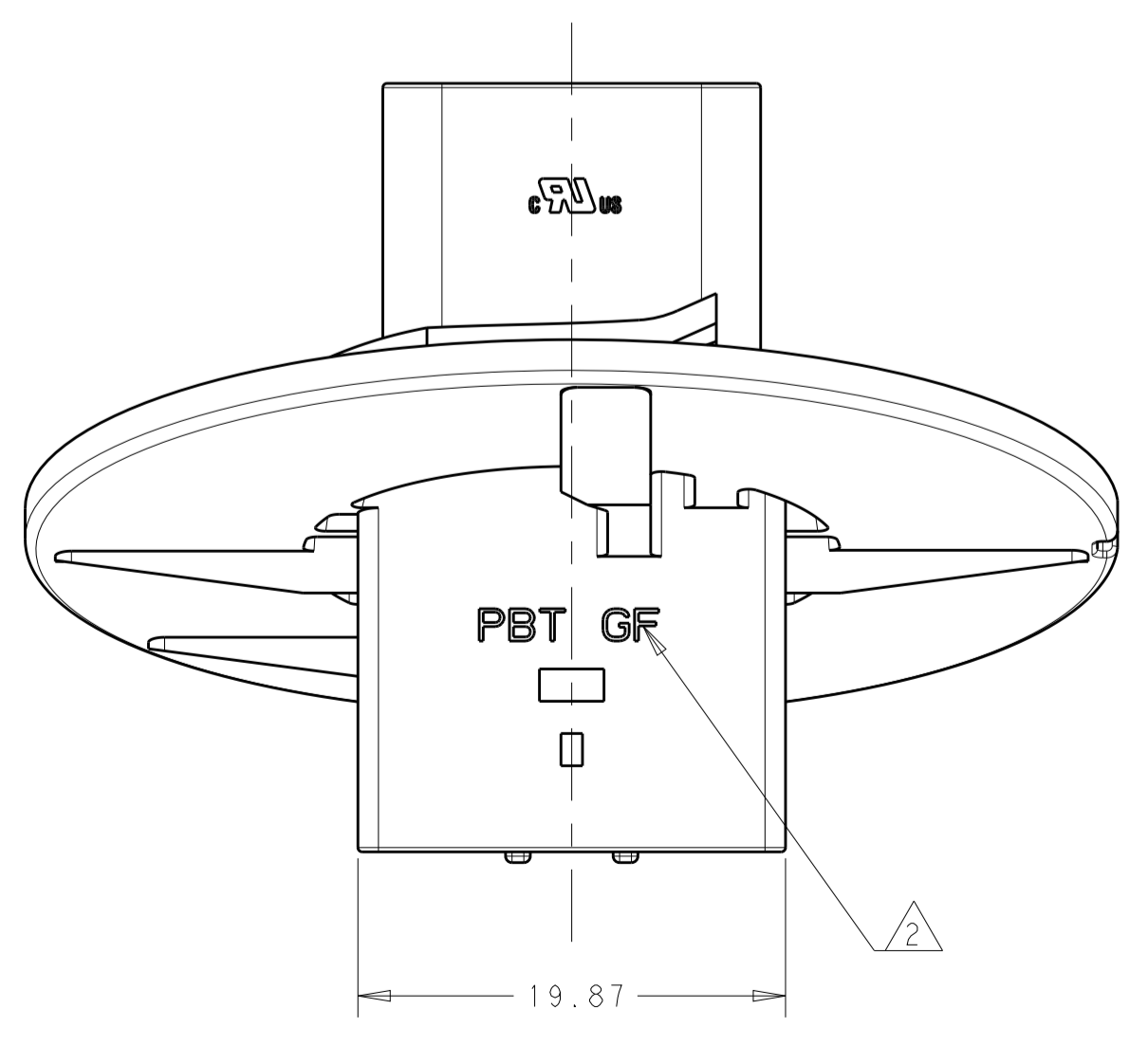
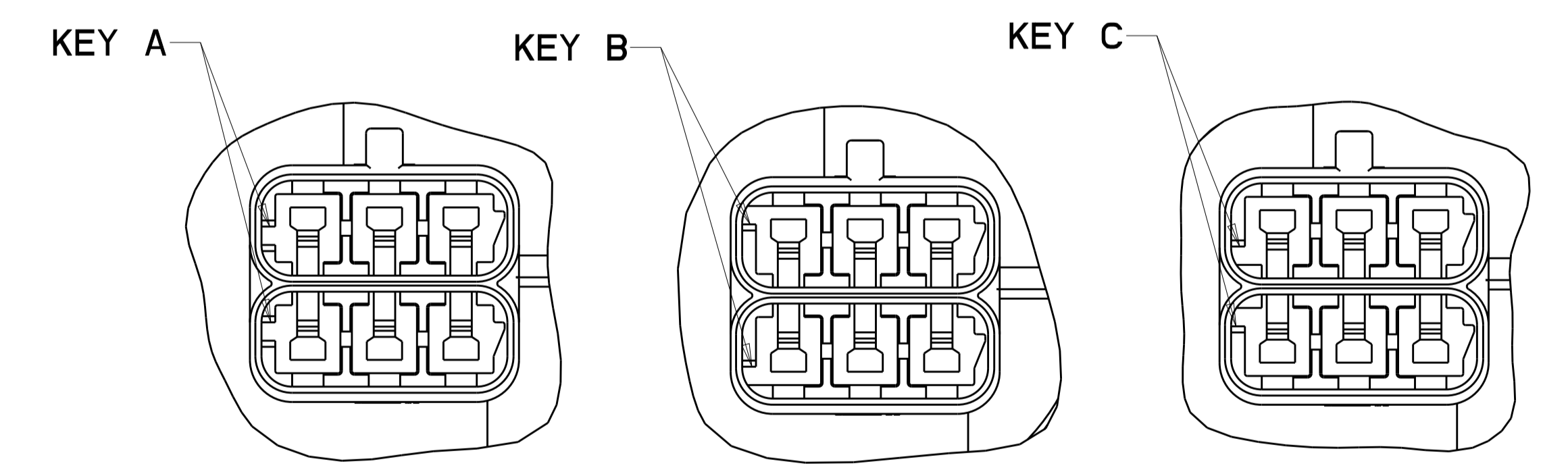
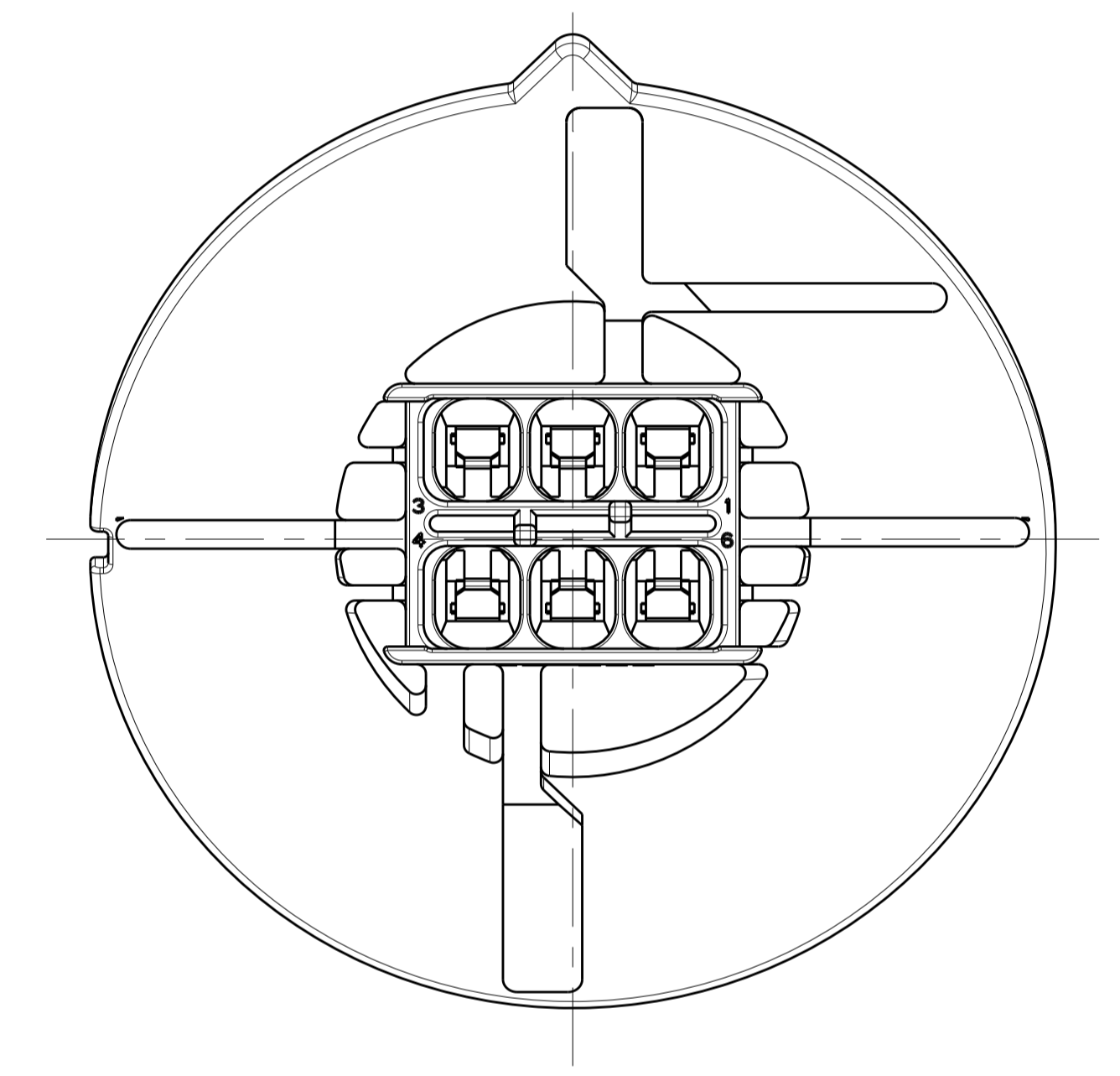
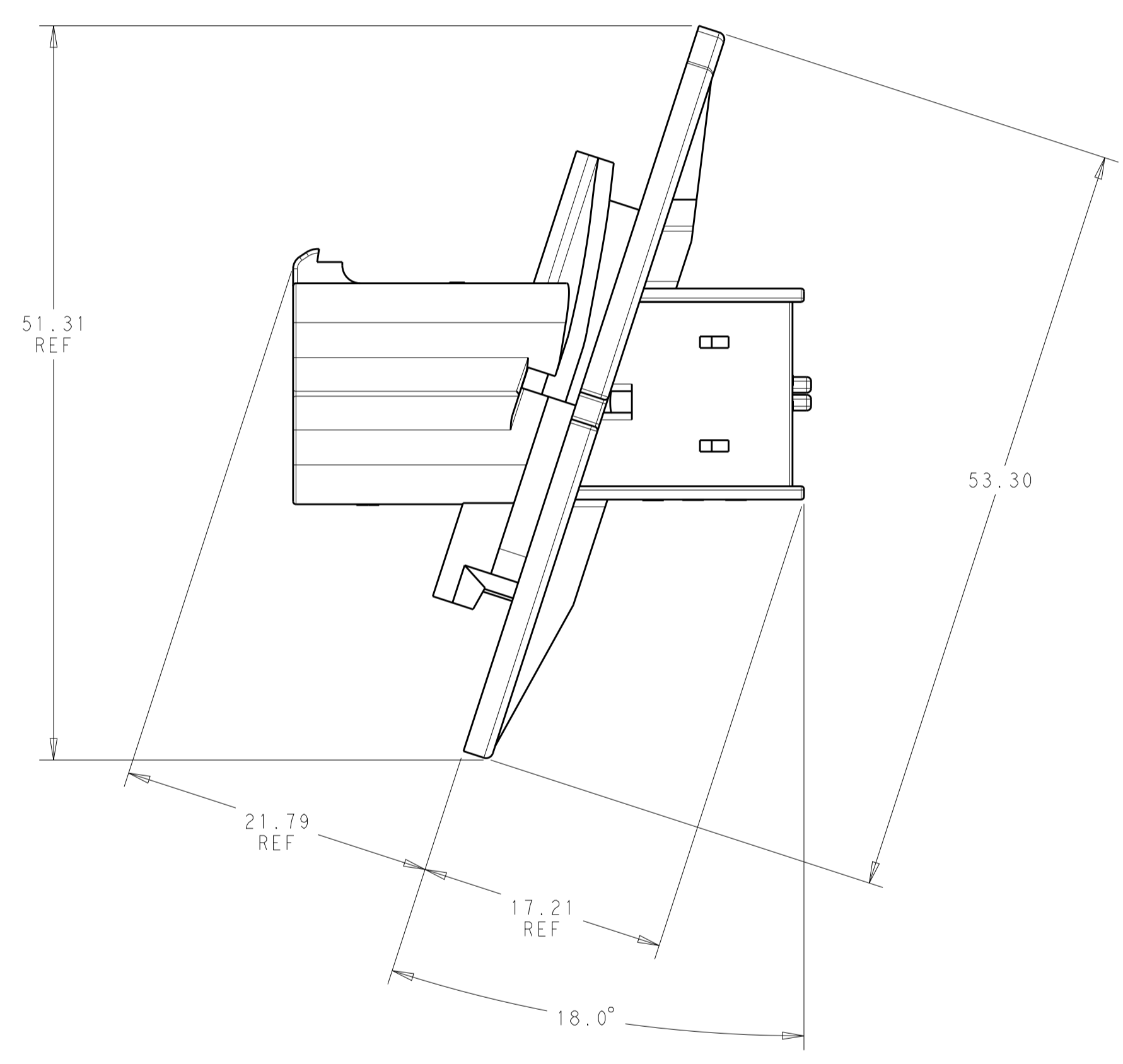
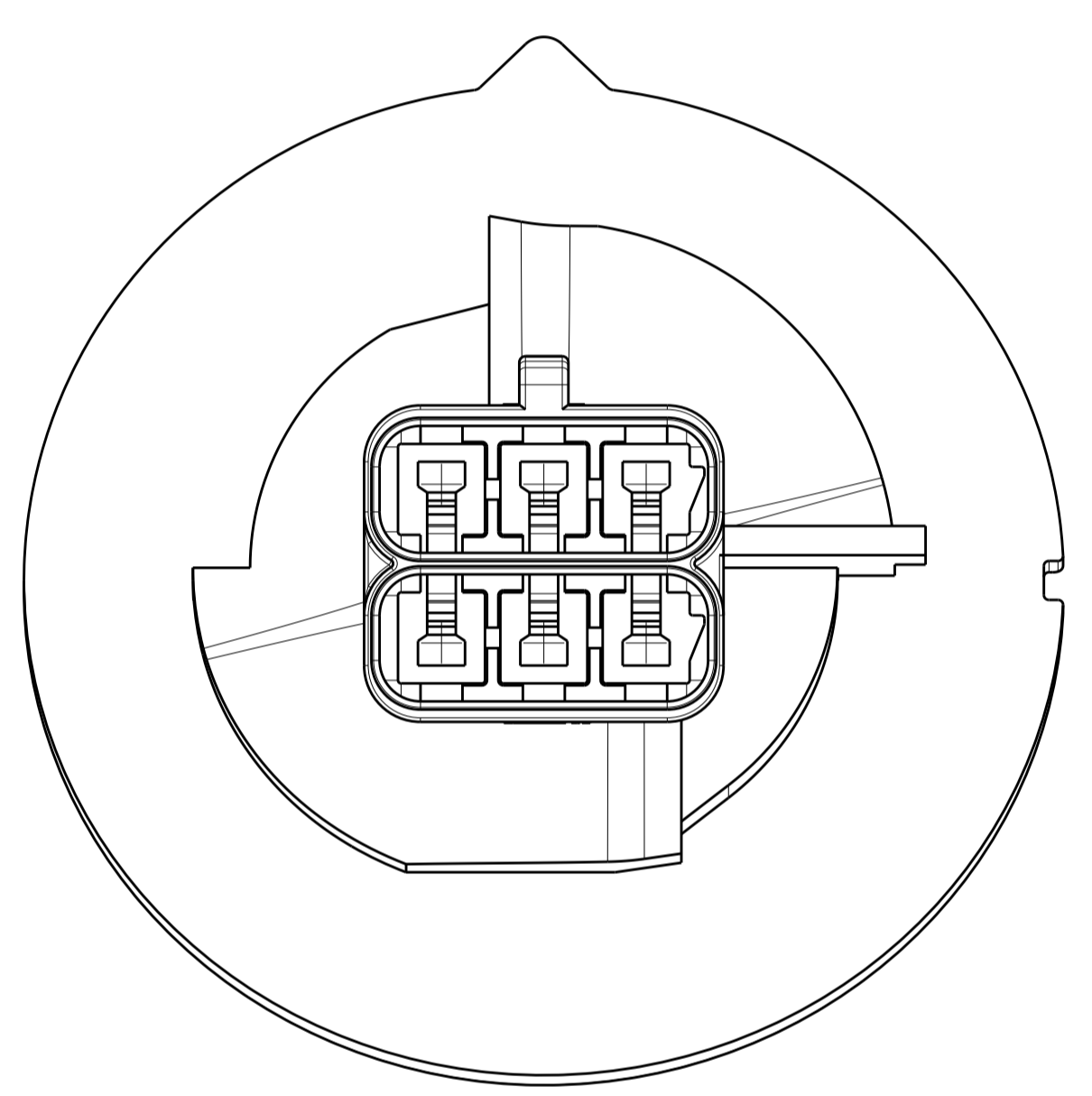


REVISIONS					
P.	LTN.	DESCRIPTION	DATE	DWN.	APVD.
C1		REVISED PER ECO-19-013719	05SEP2019	BKW	GJ
C2		REVISED PER ECO-20-002758	21FEB2020	BKW	DS
C3		REVISED PER ECR-20-100211	07AUG2020	JP	VS
D		REVISED PER ECR-20-100662	08DEC2020	PC	DS



- 1 MATERIAL: PBT, GLASS FILLED
- 2 MATERIAL MARK: PBT GF
- 3. APPLICABLE CONTACT P/N:
2329910-*/2329907-*/2329906-*/2329908-*/2329909-*/2329911-*/
2337140-*/2337139-*
- 4. MATING CONNECTOR P/N
PLUG HSG: *-2336229-*/*-2337912-
TPA: 2337218-6 (OPTIONAL)
GANG SEAL: 2325349-3 (2 PER CAP) (OPTIONAL)
- 5 RECOMMENDED PANEL THICKNESS: 0.76-2.29mm. PANEL CUTOUT
TO BE ROTATED DEPENDING ON PANEL THICKNESS.
- 6. PANEL MUST BE PUNCHED SO THAT THE HOUSING ENTERS THE PANEL
IN THE SAME DIRECTION AS THE PUNCH
- 7. FLAMMABILITY RATING: UL94 V-0

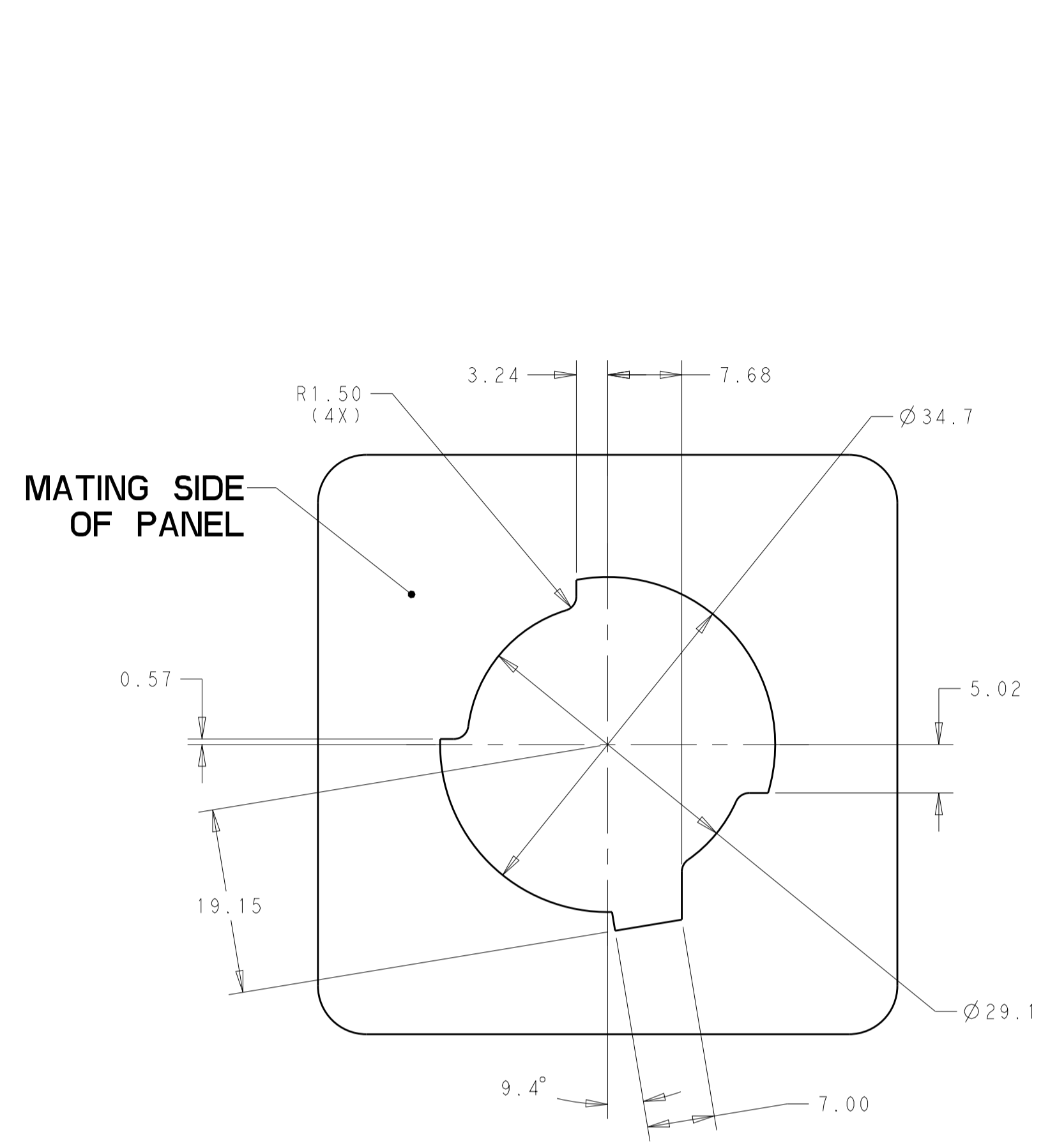


COLOR	KEYING	POSITIONS	PART NUMBER
BROWN	KEY C	2*3	3-2336231-6
LIGHT GRAY	KEY B	2*3	2-2336231-6
NATURAL	KEY A	2*3	1-2336231-6

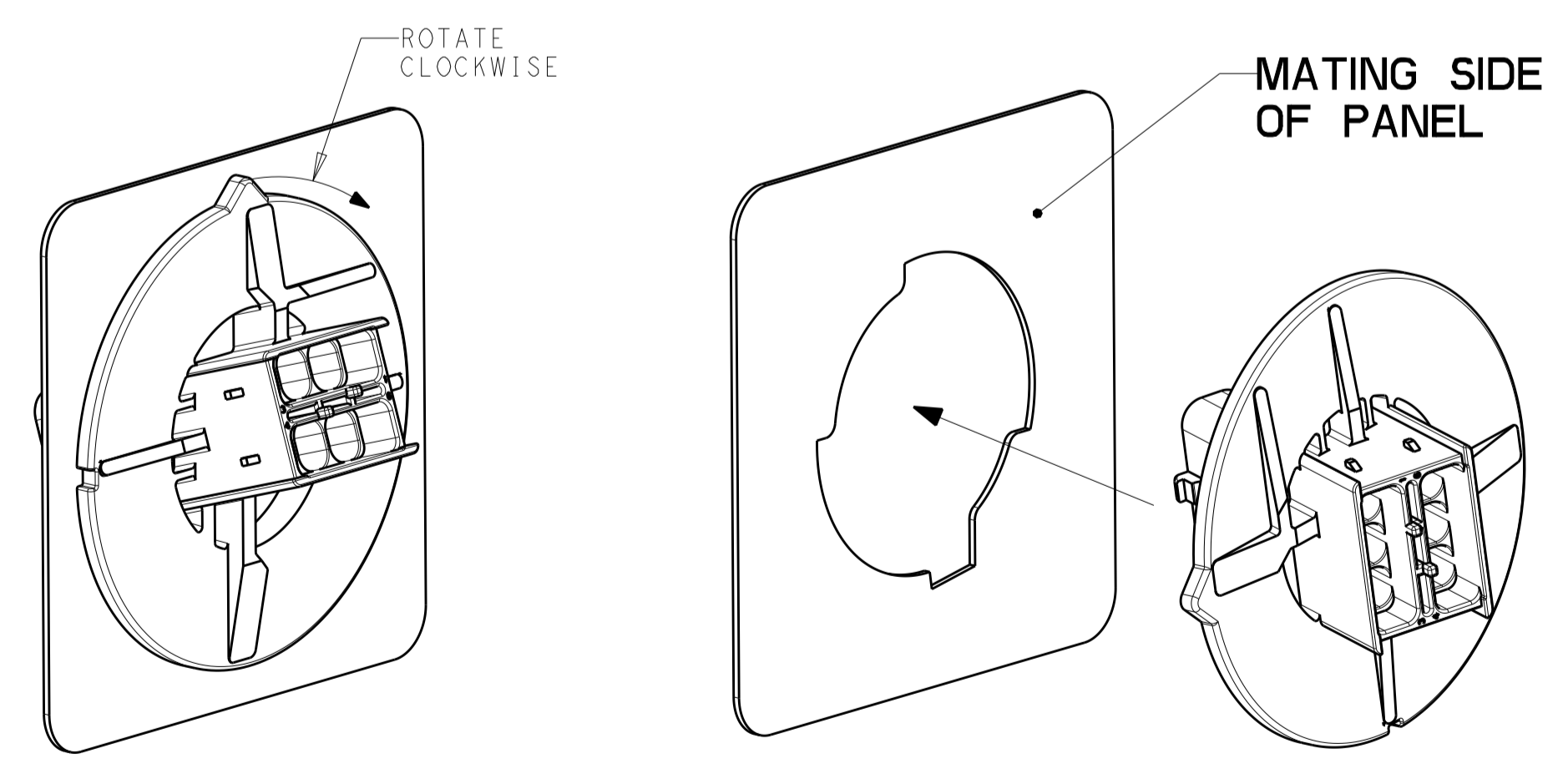
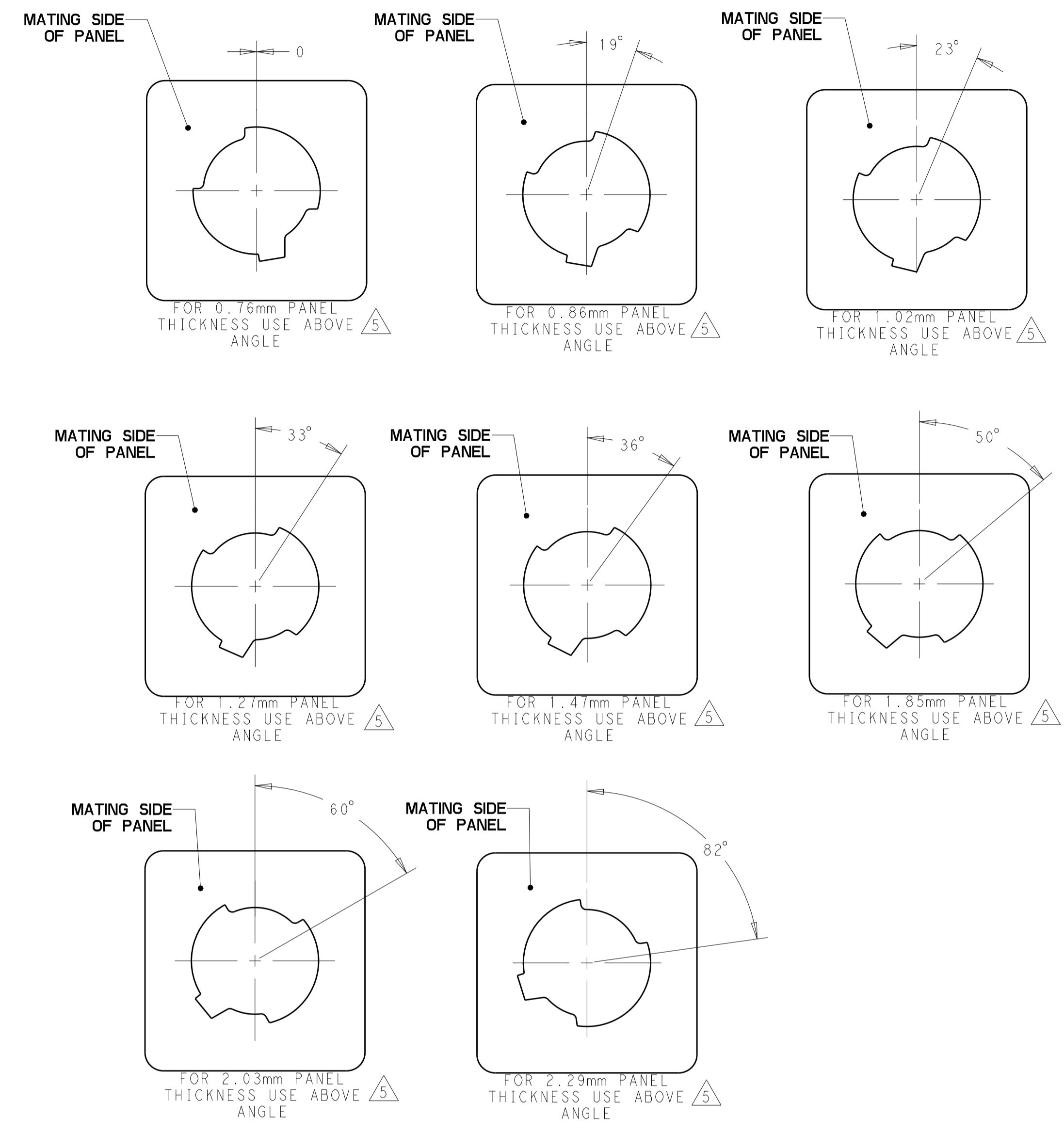
THIS DRAWING IS A CONTROLLED DOCUMENT.

DIMENSIONS:	TOLERANCES UNLESS OTHERWISE SPECIFIED:	DWN: B. WEAVER 19JUN2018	CHK: S. FERNANDES 19JUN2018	APVD: C. YI 19JUN2018
mm	0 PLC ± 1 PLC ±0.50 2 PLC ± 3 PLC ± 4 PLC ± ANGLES ±0.3°	PRODUCT SPEC: 108-143081	APPLICATION SPEC: 114-143082	WEIGHT: -
MATERIAL: PBT GF	FINISH: -	NAME: CAP HOUSING, ANGLED TNL, POWER VERSA-LOCK		RESTRICTED TO: -
		SIZE: A1	CAGE CODE: 00779	DRAWING NO: C=2336231
		CUSTOMER DRAWING		SCALE: 3:1 SHEET 1 OF 2 REV D

REVISIONS				
P.	LTN	DESCRIPTION	DATE	APVD
-	-	SEE SHEET 1	-	-



RECOMMENDED PANEL CUT-OUT $\triangle 5$
 (ALL CUTOUT DIMENSION TOLERANCES ± 0.2)
 0.76mm PANEL THICKNESS CUTOUT SHOWN ABOVE



ASSEMBLY PROCEDURE
 (0.76mm THICKNESS PANEL CUTOUT SHOWN ABOVE)

THIS DRAWING IS A CONTROLLED DOCUMENT.		DWN: B. WEAVER 19JUN2018	TE Connectivity
DIMENSIONS: mm		CHK: S. FERNANDES 19JUN2018	
TOLERANCES UNLESS OTHERWISE SPECIFIED:		APVD: C. YI 19JUN2018	NAME: CAP HOUSING, ANGLED TNL, POWER VERSA-LOCK
0 PLC	±	PRODUCT SPEC	SIZE: CAGE CODE DRAWING NO
1 PLC	±0.50	APPLICATION SPEC	RESTRICTED TO
2 PLC	±	114-143081	A100779C=2336231
3 PLC	±	114-143082	SCALE: 3:1 SHEET 2 OF 2 REV D
4 PLC	±	WEIGHT	
ANGLES	±3°	CUSTOMER DRAWING	
MATERIAL	FINISH		

Mouser Electronics

Authorized Distributor

Click to View Pricing, Inventory, Delivery & Lifecycle Information:

[TE Connectivity:](#)

[1-2336231-6](#) [3-2336231-6](#) [2-2336231-6](#)