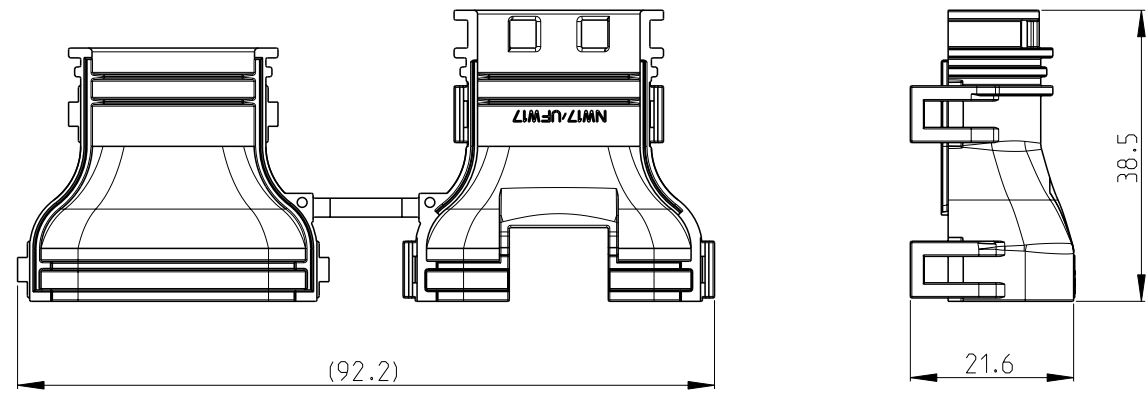
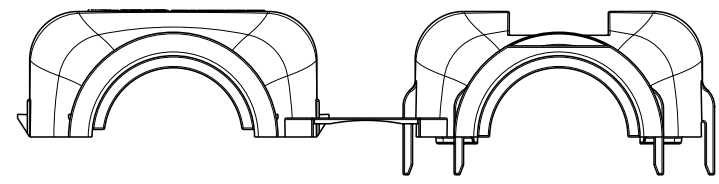


REVISIONS

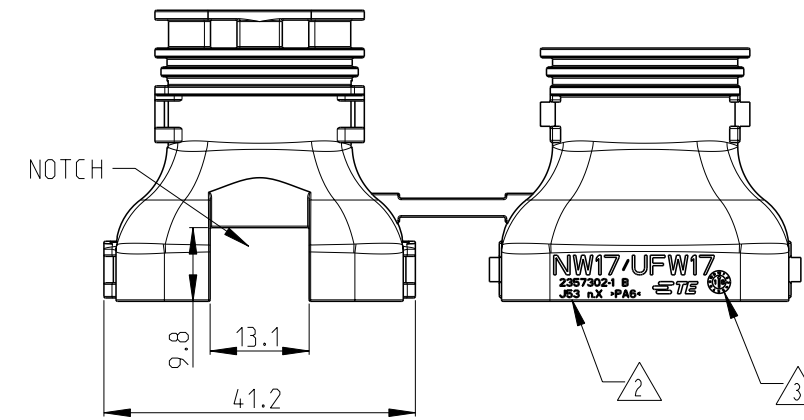
P	LTR	DESCRIPTION	DATE	DWN	APVD
A		INITIAL RELEASE	08JUL2019	V.T	I.Y
B		ECR-20-002162	14FEB2020	V.T	E.J
B1		ECR-20-003434	07MAR2020	V.T	E.J
B2		ECR-20-010594	28JUL2020	V.T	E.J

NOTES:

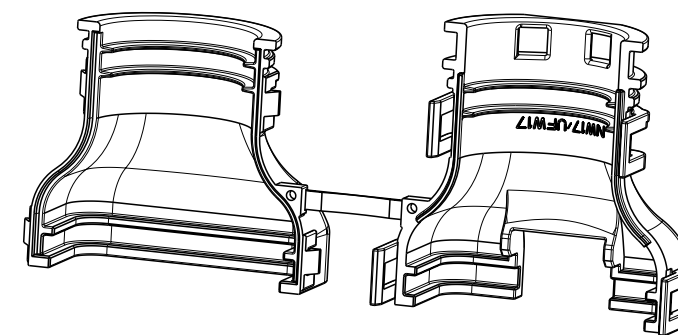
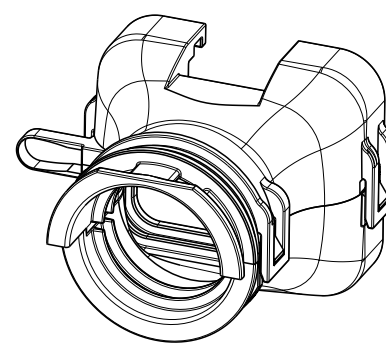
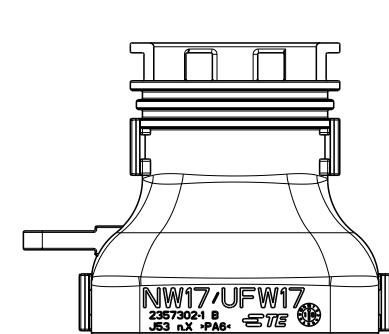
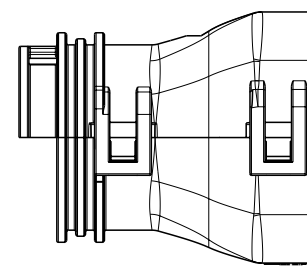
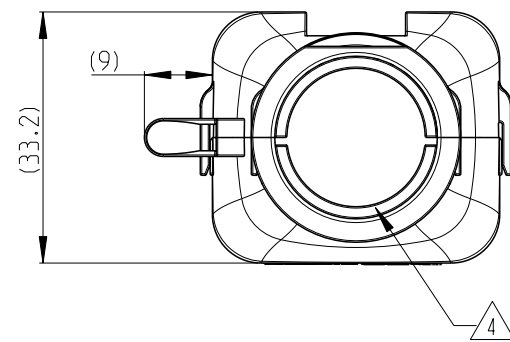
- MATERIAL: PA6 COLOUR:BLACK.
- MANUFACTURING LOCATION.
- DATE CODE.
- P/N:2357302-1 AND P/N:2357302-2 FOR CORRUGATED TUBE: NW 17&UFW 17. OR NW 16 IF CONFIRMED.
- P/N:2357302-1 WITH NOTCH USED ON PLUG P/N:2350890-1/2/3/4 ONLY. P/N:2357302-2 WITHOUT NOTCH FOR OTHERS.



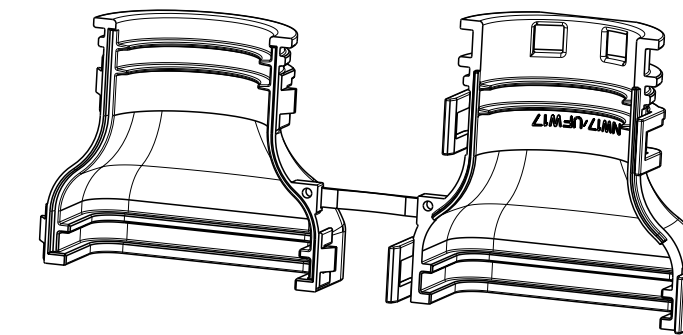
(P/N:2357302-1 AS SHOWN)



CLOSED (MOUNTED) CONDITION 2357302-1 AS SHOWN



(P/N:2357302-1 AS SHOWN)



(P/N:2357302-2 AS SHOWN)

2357302-2	WITHOUT NOTCH
2357302-1	WITH NOTCH
PART NO.	REMARK

THIS DRAWING IS A CONTROLLED DOCUMENT.		DWN V. TANG	23JUN2019	TE Connectivity	NAME 180 DEGREE BACKSHELL NTS 20P SERIES
DIMENSIONS: mm		CHK E. JIANG	23JUN2019		
		APVD I. YIN	23JUN2019		
TOLERANCES UNLESS OTHERWISE SPECIFIED:		PRODUCT SPEC		APPLICATION SPEC	
0 PLC ±0.30		108-32297		SIZE	
1 PLC ±0.25		-		CAGE CODE	
2 PLC ±0.15		-		DRAWING NO	
3 PLC ±		-		RESTRICTED TO	
4 PLC ±		-		A200779	
ANGLES ±2°		-		C-2357302	
FINISH		WEIGHT		SCALE	
SEE NOTES		-		1:1	
-		CUSTOMER DRAWING		SHEET 1 OF 1	
-		-		REV B2	

Mouser Electronics

Authorized Distributor

Click to View Pricing, Inventory, Delivery & Lifecycle Information:

[TE Connectivity:](#)

[2357302-1](#) [2357302-2](#)