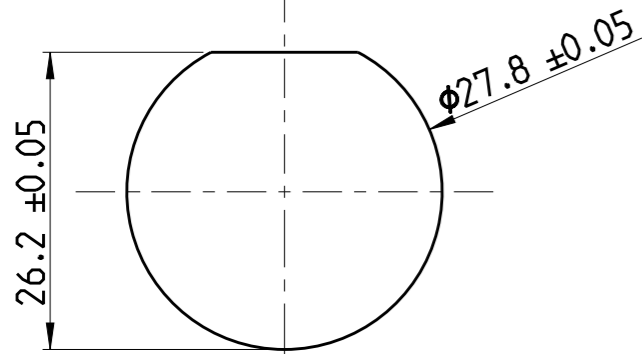
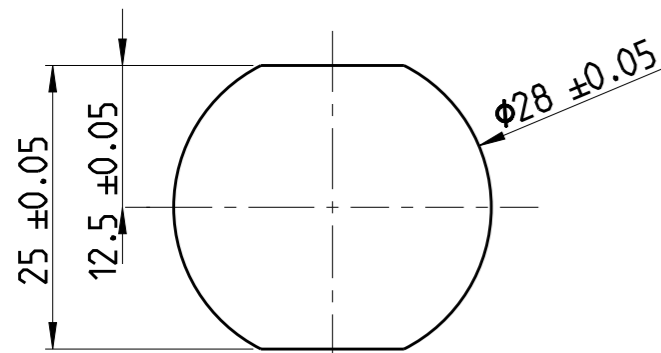


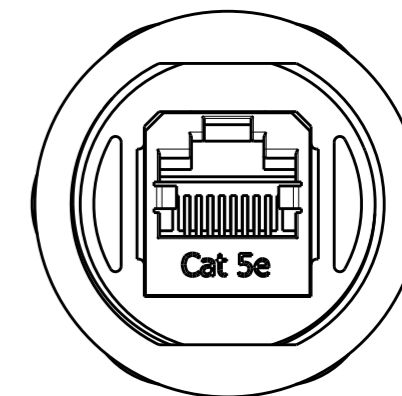
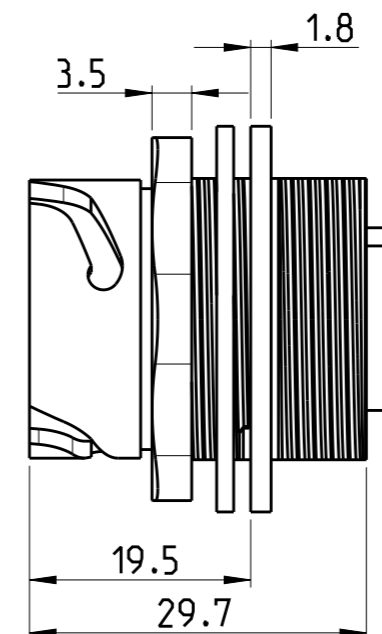
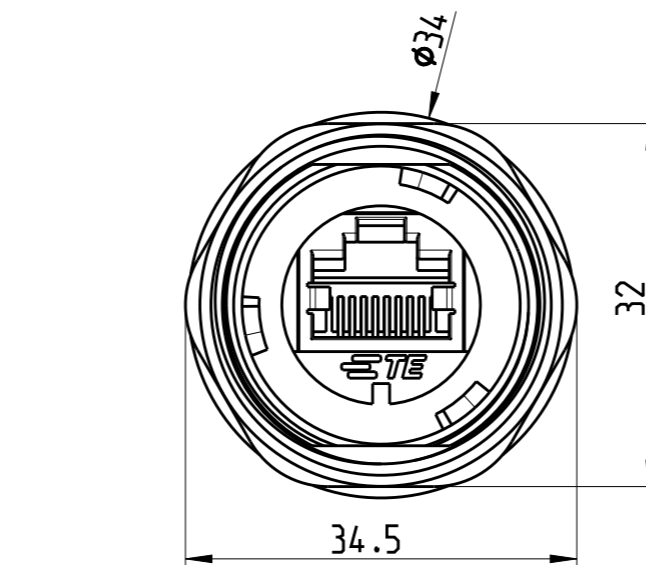
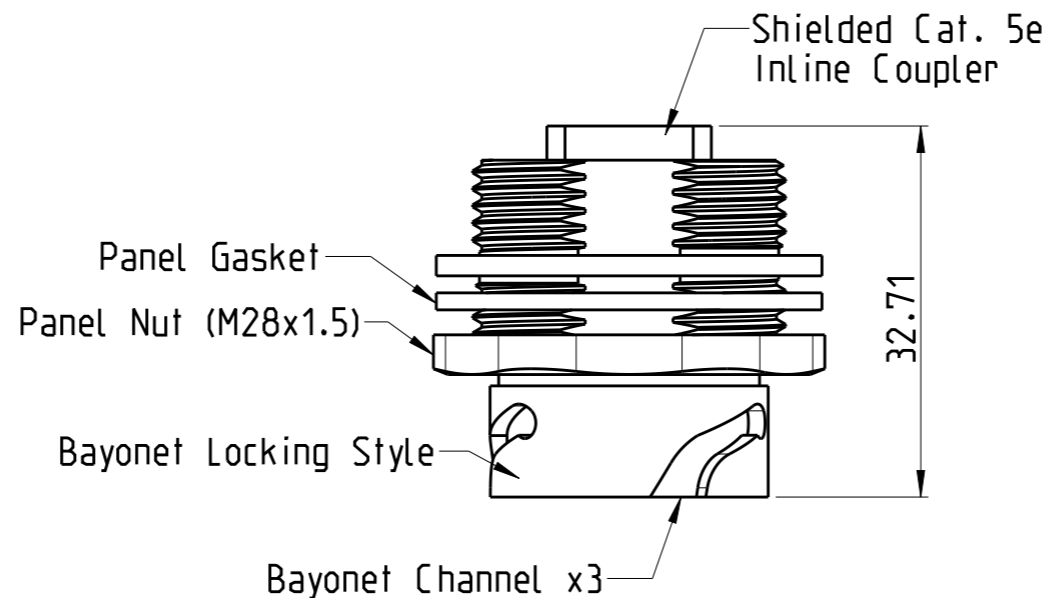
P	LTR	DESCRIPTION	DATE	DWN	APVD
A		INITIAL RELEASE	19APR2019	SS	KMA
B		ECR-19-018070	18NOV2019	SS	JK



Recommended Single-D Panel Cutout



Recommended Double-D Panel Cutout



Notes:

- Electrical Specifications:
 - Meets EIA/TIA-568-B.2 Cat.5e Specification
 - Contact Resistance: 20mOhm max.
 - Insulation Resistance: 500MOhm min. @ 100 VDC
 - Current Rating: 1.2A max. at 25°C
 - Working Voltage: 72 VDC
 - DWV: 1000 VDC/60s Contact to Contact, 1500 VDC/60s Contact to Metal Shell
 - Operating Temperature: -40°C to +85°C

2. Material and Finish:

- Receptacle Housing: Zinc Die-Cast, Finish: Nickel Plated
- Panel Nut: Brass, Finish: Nickel Plated
- Panel Gasket: Silicon, Color: Transparent
- RJ45 Jack Metal Shell: Copper Alloy, Nickel Plated
- RJ45 Jack Plastic Housing: Glass filled PBT UL94 V-0, Color: Black
- RJ45 Jack Contacts: Phosphor Bronze, Finish: 50u" Gold min. over Nickel

3. Connector can be front or rear mounted to a maximum panel thickness of 3.2mm.

4. IP67 rated when covered or fully mated with the appropriate mating connector

5. RoHS compliant

6. Packaging Spec: 107-19763

7. Material and Finish:

- Receptacle Housing: PBT UL 94 V-0, black
- Panel Nut: Brass, Finish: Nickel Plated
- Panel Gasket: Silicon, Color: Transparent
- RJ45 Jack Metal Shell: Copper Alloy, Nickel Plated
- RJ45 Jack Plastic Housing: Glass filled PBT UL94 V-0, Color: Black
- RJ45 Jack Contacts: Phosphor Bronze, Finish: 50u" Gold min. over Nickel

E81956	7	2355443-2
E81956	2	2355443-1
UL NO.	MATERIAL	TEPN

DIMENSIONS:		TOLERANCES UNLESS OTHERWISE SPECIFIED:		APPROVALS		TE Connectivity	
mm		PLC		NAME	DATE	SIZE	CAGE CODE
		0 PLC	±0.50	S. SHARMA	19APR2019	A3	00779
		1 PLC	±0.38	K. MALCZYK	24APR2019		
		2 PLC	±0.25	J. de BRULIN	24APR2019		
		3 PLC	±0.10				
		4 PLC	±				
		ANGLES	±3°				
MATERIAL		FINISH		PRODUCT SPEC		DRAWING NO	
SEE TABLE		SEE TABLE		114-19162		C-2355443	
				APPLICATION SPEC		RESTRICTED TO	
				114-19162		-	
				WEIGHT		SCALE	
				-		3:2	
				CUSTOMER DRAWING		SHEET 1 OF 1	
						REV B	

Mouser Electronics

Authorized Distributor

Click to View Pricing, Inventory, Delivery & Lifecycle Information:

[TE Connectivity:](#)

[2355443-2](#)