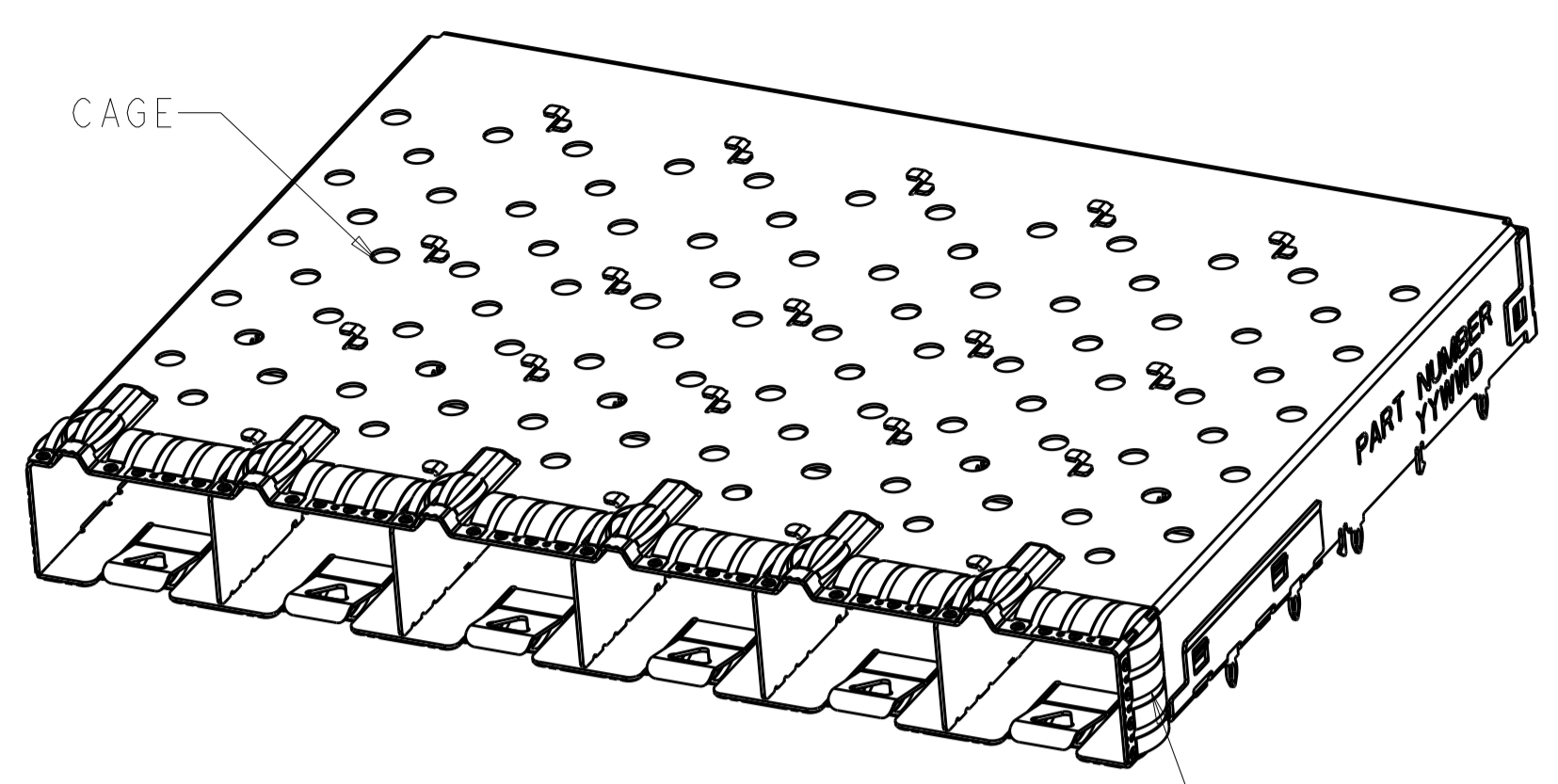
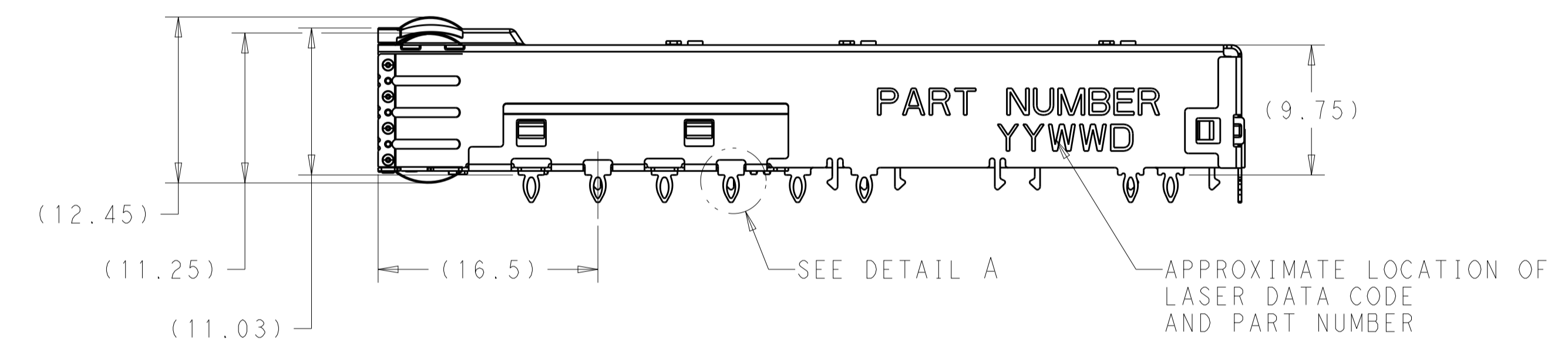
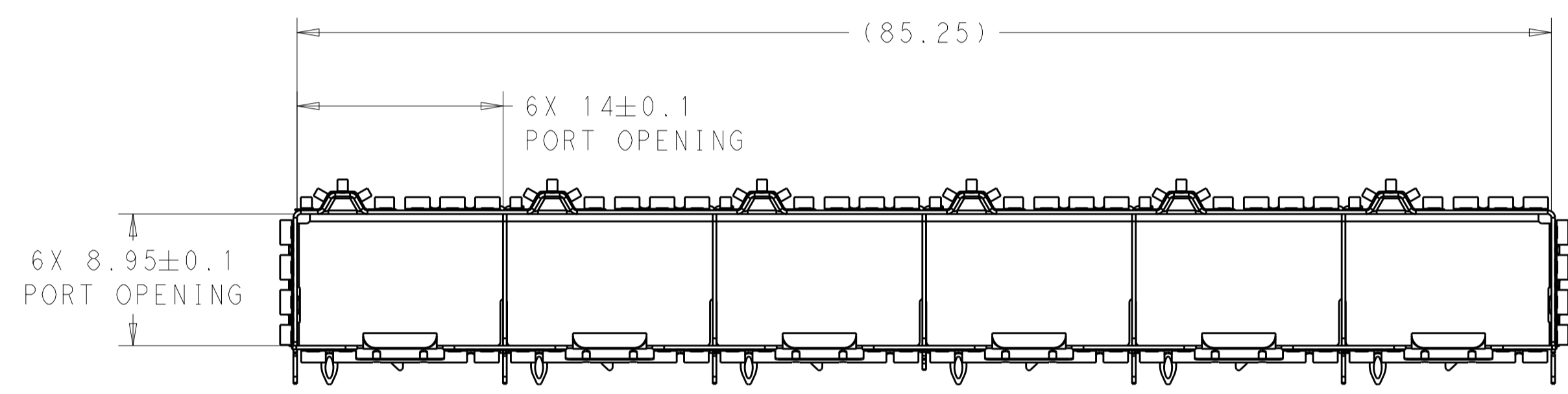


REVISIONS				
P	LTN	DESCRIPTION	DATE	APVD
A		INITIAL RELEASE	24SEP2020	AJ SH

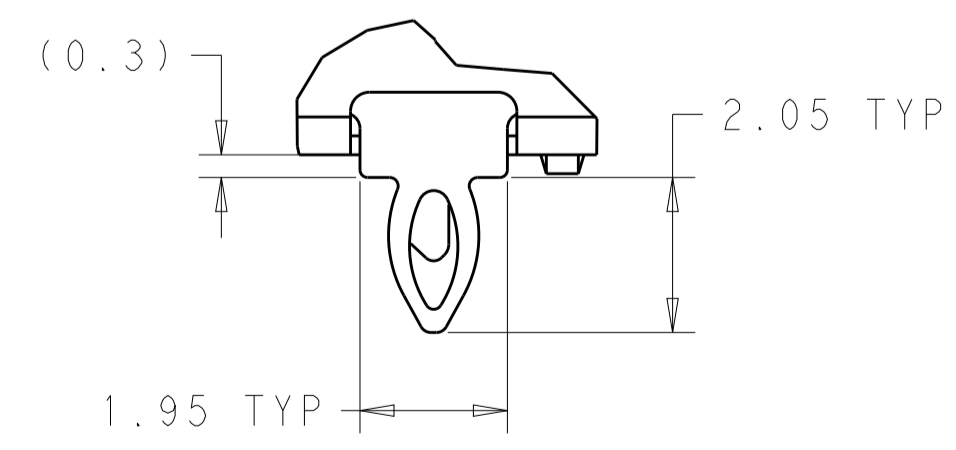
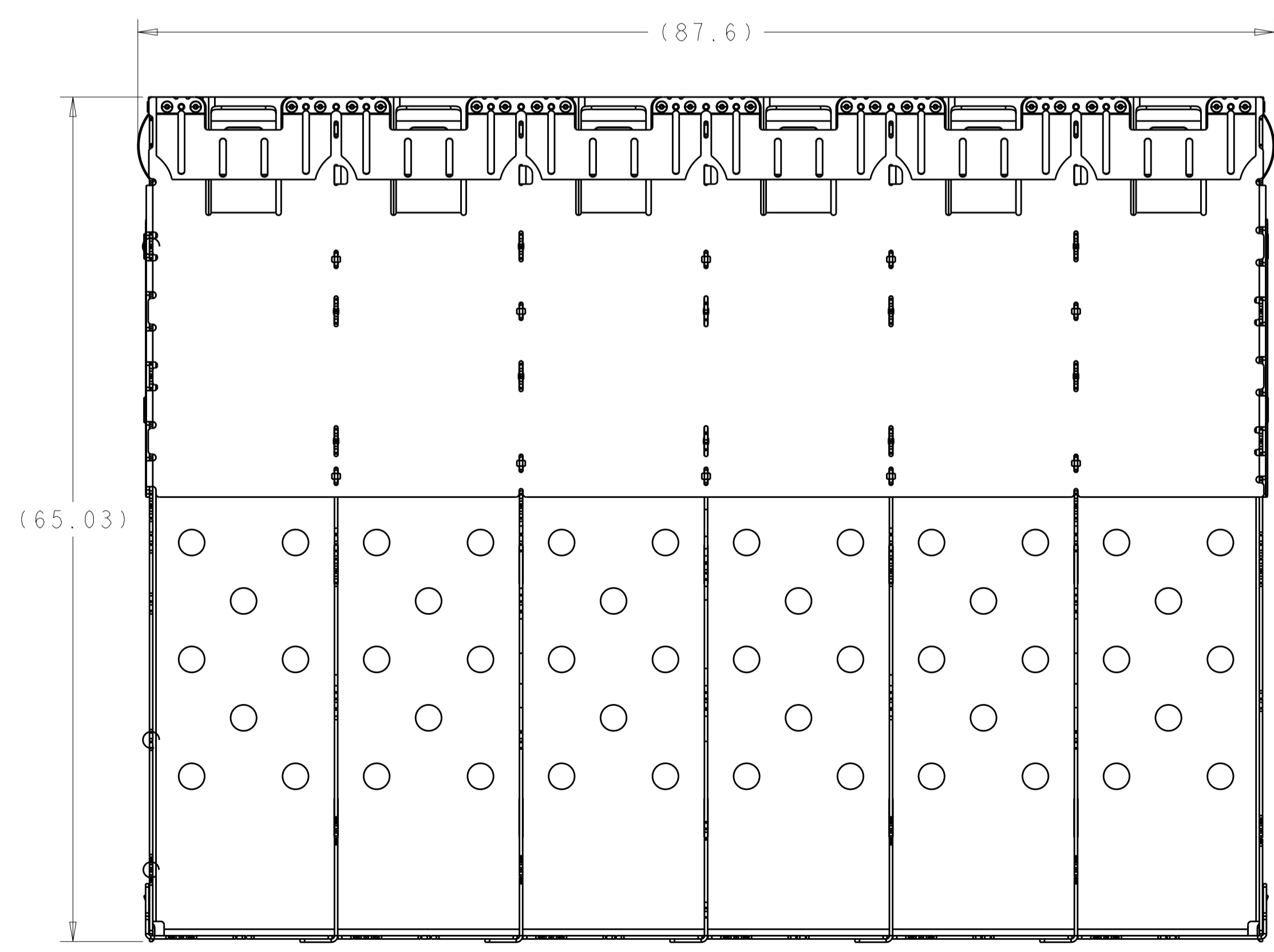


2345214-1
FINISHED ASSEMBLY
SCALE 2:1

- CAGE: 0.25mm THICK STAINLESS STEEL
EMI SPRINGS: COPPER ALLOY
- FINISH:
SPRINGS: 0.8um NICKEL. NON-PLATED EDGES PERMISSIBLE.
- MATES WITH SFP-DD MSA COMPLIANT TRANSCEIVERS.
- INTERPRETATION OF DATUM REFERENCE FRAME IN ACCORDANCE WITH SECT 4.4.1.1 OF ASME Y14.5M-1994.
- MINIMUM PC BOARD THICKNESS:
SINGLE SIDED = 1.57mm
DOUBLE SIDED = 2.20mm
- DATUM AND BASIC DIMENSION ESTABLISHED BY CUSTOMER.
- REFERENCE APPLICATION SPEC. 114-60027, HOLE A, FOR RECOMMENDED DRILL HOLE DIAMETER AND PLATING THICKNESS.
- REFERENCE APPLICATION SPEC. 114-60027, HOLE B, FOR RECOMMENDED DRILL HOLE DIAMETER AND PLATING THICKNESS.
- HOLE PATTERN REPEATS FOR EACH PORT. SPACING BETWEEN PORTS IS 14.25mm.
- DATUM **-A-** IS TOP SURFACE OF THE HOST BOARD.



SCALE 3:1

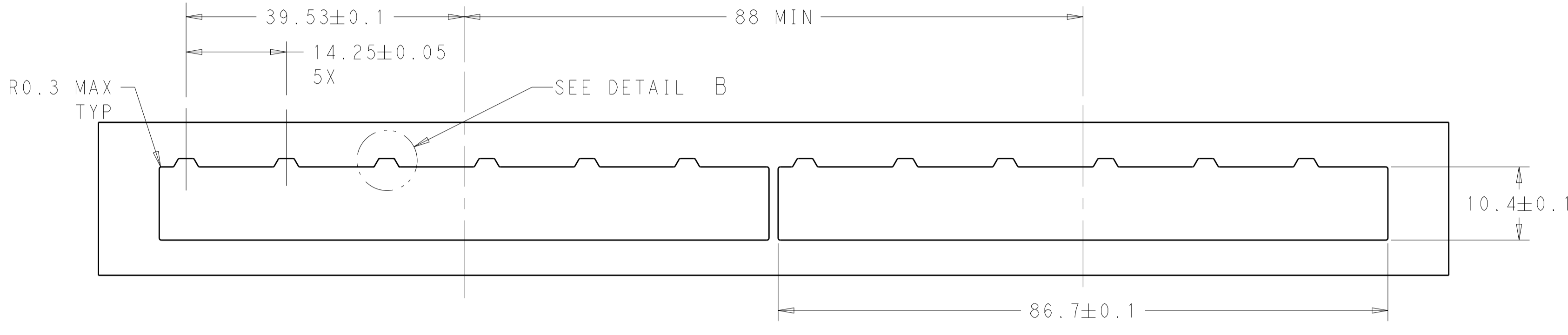


DETAIL A
SCALE 10:1

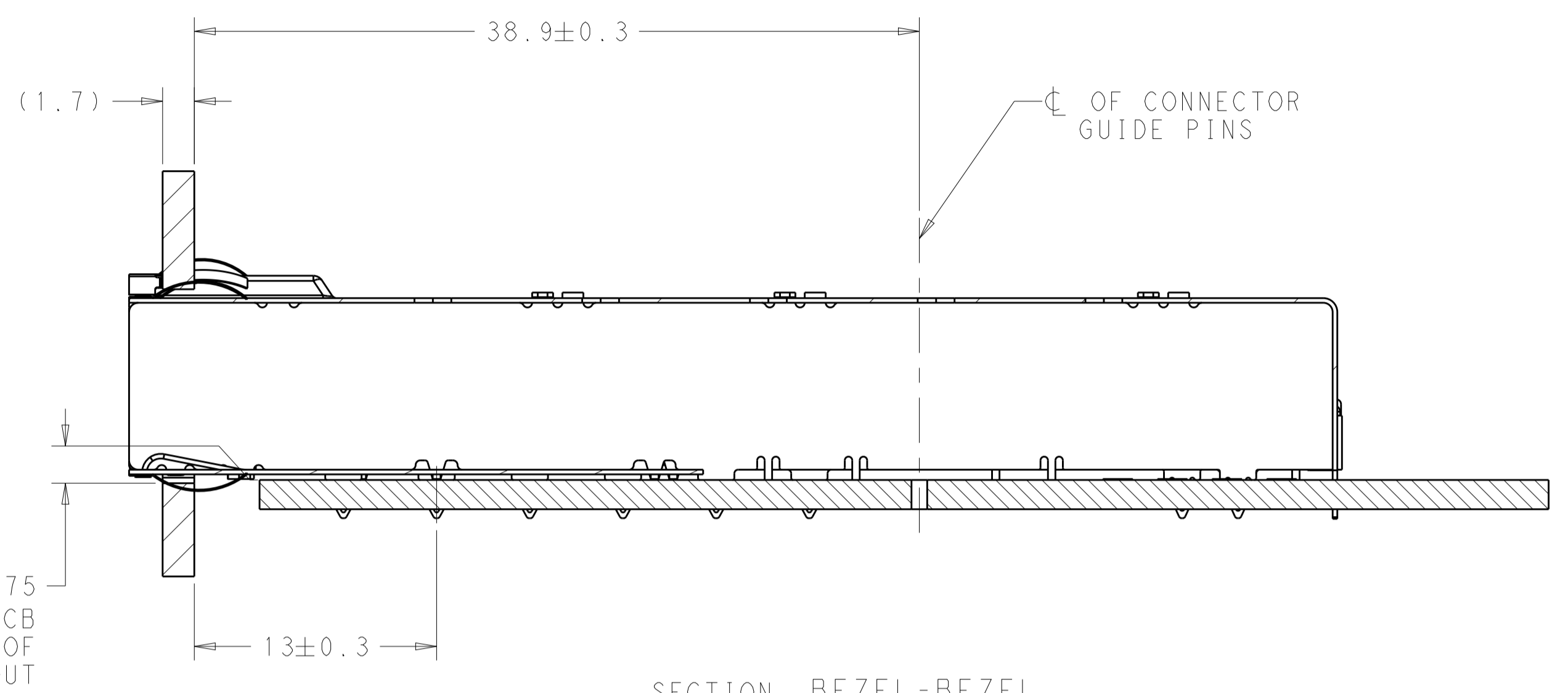
2	NO	2345214-1
REAR PIN # PER PORT	TOP OPENING	PART NUMBER

THIS DRAWING IS A CONTROLLED DOCUMENT.		OWN: ARTHUR JIN 14NOV2019	TE Connectivity
DIMENSIONS: mm		CHK: SEAN HAN 14NOV2019	
TOLERANCES UNLESS OTHERWISE SPECIFIED:		APVD:	NAME: SFPDD 1X6 CAGE ASSEMBLY W/ HS PRESS-FIT, EXTERNAL EMI SPRINGS
0 PLC	±0.25	PRODUCT SPEC:	108-60128
1 PLC	±0.25	APPLICATION SPEC:	114-60027
2 PLC	±0.20	SIZE:	CAGE CODE: 00779
3 PLC	±0.20	DRAWING NO:	D=2345214
4 PLC	±0.20	RESTRICTED TO:	RESTRICTED CUSTOMER
ANGLES	±	SCALE:	1:1
FINISH:	-	SHEET:	1 OF 5
MATERIAL:	-	REV:	A

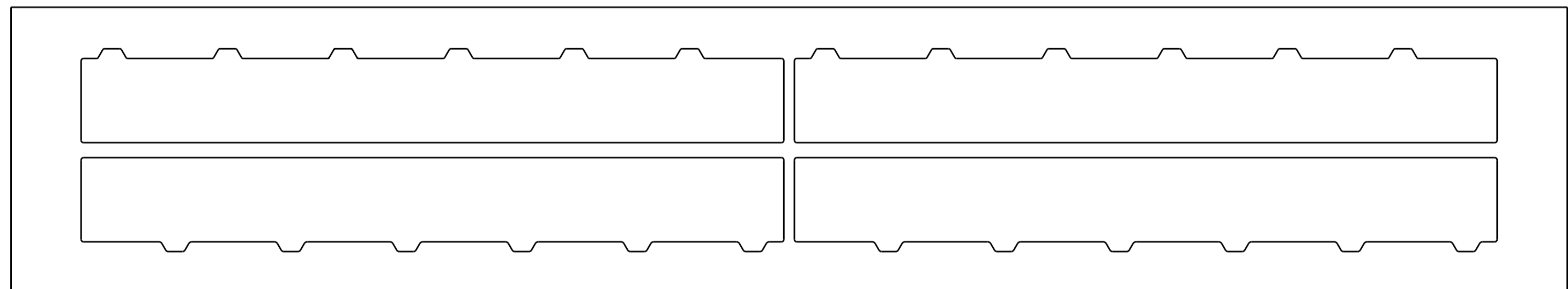
REVISIONS				
P.	LTN	DESCRIPTION	DATE	APVD
-	-	SEE SHEET 1	-	-



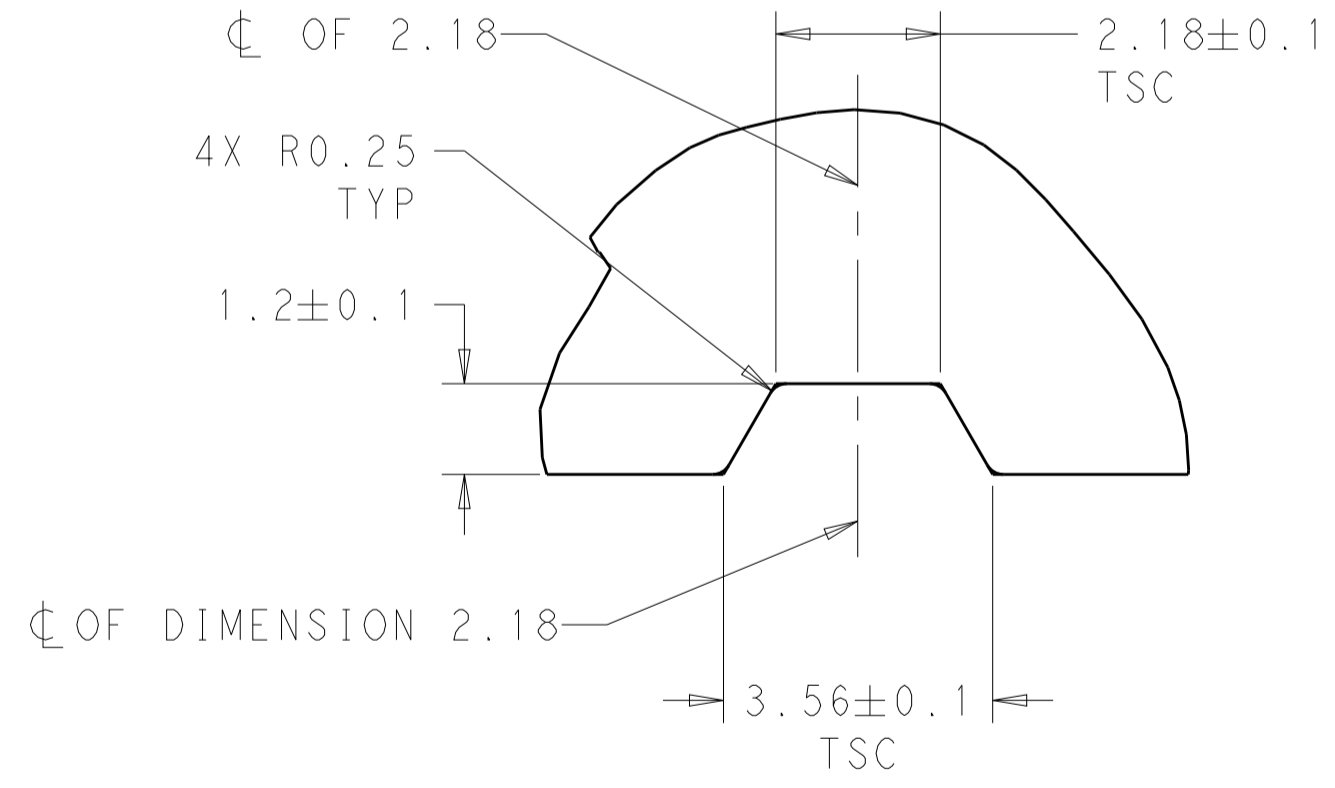
RECOMMENDED BEZEL CUT-OUT
SINGLE SIDED APPLICATIONS
SCALE 2:1



SECTION BEZEL-BEZEL
SCALE 4:1



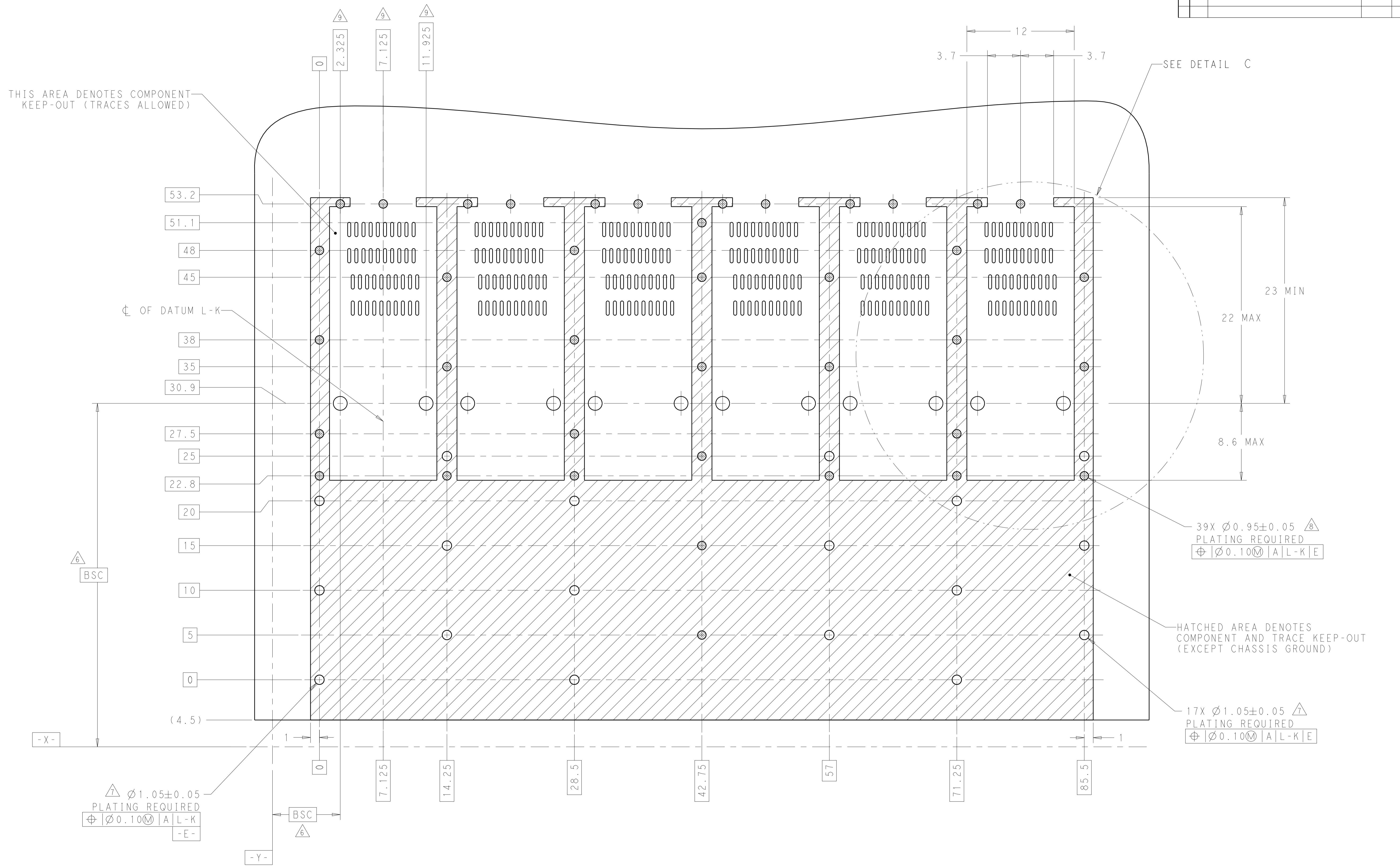
RECOMMENDED BEZEL CUT-OUT
BELLY TO BELLY APPLICATIONS
SCALE 2:1



DETAIL B
SCALE 10:1

THIS DRAWING IS A CONTROLLED DOCUMENT.		OWN: ARTHUR JLN 14NOV2019	
		CHK: SEAN HAN 14NOV2019	
DIMENSIONS:	TOLERANCES UNLESS OTHERWISE SPECIFIED:	APVD:	NAME: SFPDD 1X6 CAGE ASSEMBLY W/ HS PRESS-FIT, EXTERNAL EMI SPRINGS
mm	0 PLC ±0.25 1 PLC ±0.25 2 PLC ±0.20 3 PLC ±0.20 4 PLC ±	PRODUCT SPEC: 108-60128	SIZE: CAGE CODE DRAWING NO: 114-60027
	ANGLES: ±	APPLICATION SPEC:	RESTRICTED TO: A 00779 ©=2345214
MATERIAL:	FINISH:	WEIGHT:	SCALE: 1:1 SHEET 2 OF 5 REV A
		RESTRICTED CUSTOMER	

REVISIONS				
P.	LTR.	DESCRIPTION	DATE	APVD.
-	-	SEE SHEET 1	-	-

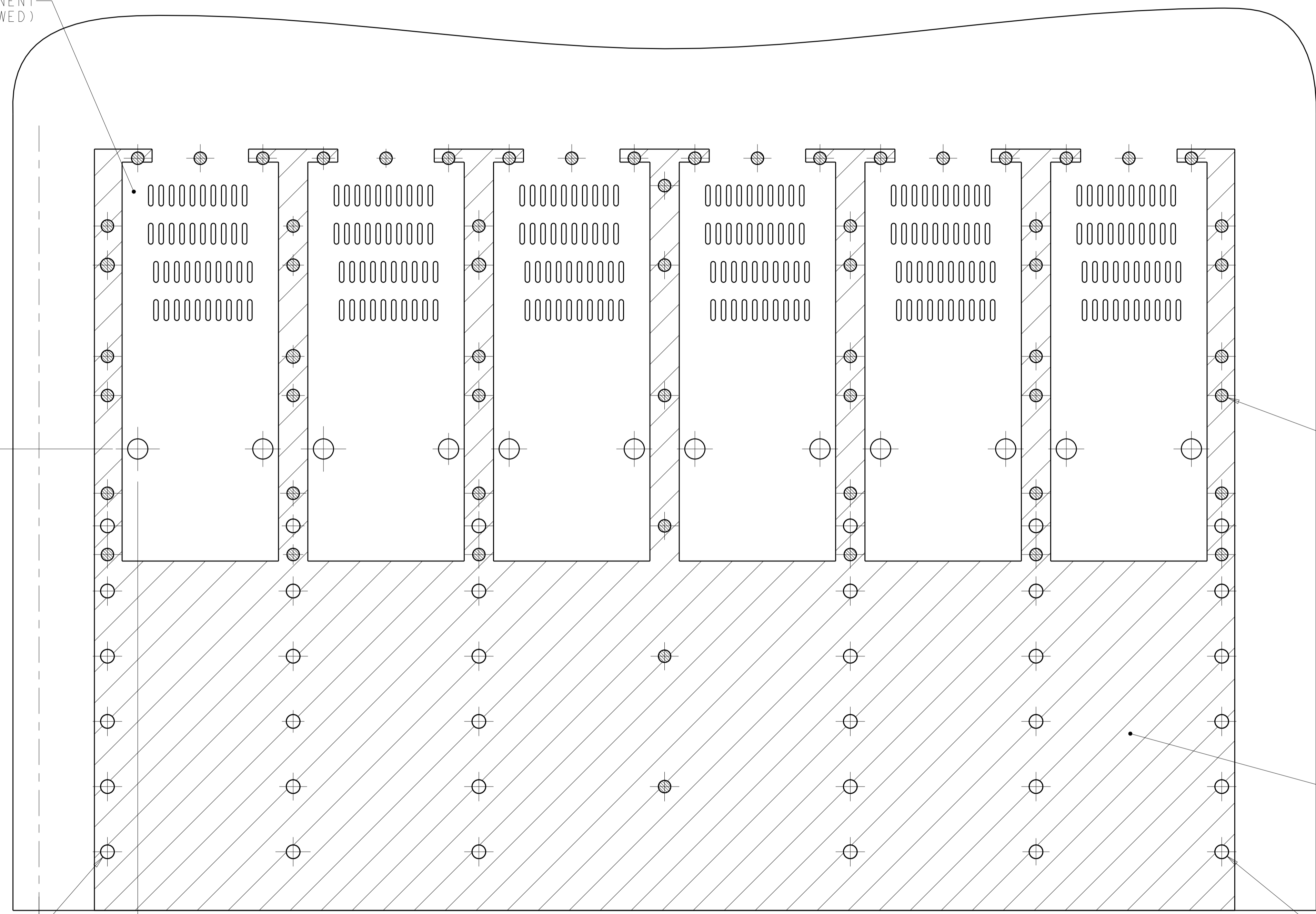


RECOMMENDED PCB CONFIGURATION
 WITH KEEP-OUT AREAS
 SINGLE SIDED APPLICATIONS
 SCALE 5:1

THIS DRAWING IS A CONTROLLED DOCUMENT.		DWN: ARTHUR JIN 14NOV2019	TE Connectivity
DIMENSIONS: mm		CHK: SEAN HAN 14NOV2019	
TOLERANCES UNLESS OTHERWISE SPECIFIED:		APVD:	NAME: SFPDD 1X6 CAGE ASSEMBLY W/ HS PRESS-FIT, EXTERNAL EMI SPRINGS
0 PLC	± 0.25	PRODUCT SPEC:	108-60128
1 PLC	± 0.25	APPLICATION SPEC:	114-60027
2 PLC	± 0.20	SIZE: CAGE CODE DRAWING NO:	A 00779 C=2345214
3 PLC	± 0.20	RESTRICTED TO:	RESTRICTED CUSTOMER
4 PLC	± 0.20	SCALE: 1:1	SHEET 3 OF 5
ANGLES	#	REV: A	
MATERIAL:	FINISH:		

REVISIONS				
P.	LTN	DESCRIPTION	DATE	APVD
-		SEE SHEET 1	-	-

THIS AREA DENOTES COMPONENT KEEP-OUT (TRACES ALLOWED)



60X Ø0.95±0.05 \triangle
 PLATING REQUIRED
 Ø0.10 | A | L-K | E

HATCHED AREA DENOTES COMPONENT AND TRACE KEEP-OUT (EXCEPT CHASSIS GROUND)

35X Ø1.05±0.05 \triangle
 PLATING REQUIRED
 Ø0.10 | A | L-K | E

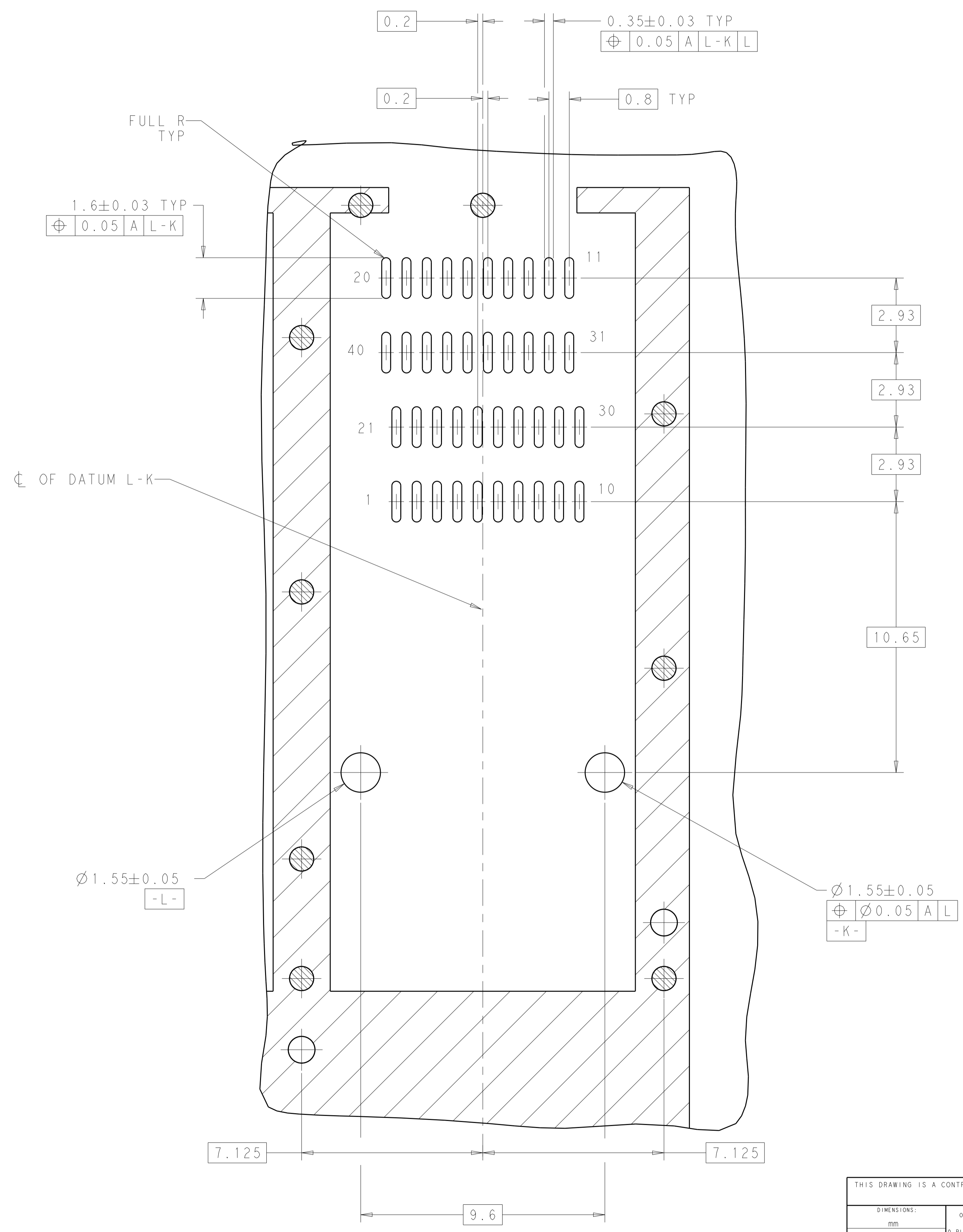
Ø1.05±0.05 \triangle
 PLATING REQUIRED
 Ø0.10 | A | L-K | E

RECOMMENDED PCB CONFIGURATION WITH KEEP-OUTS FOR BELLY TO BELLY APPLICATIONS
 SAME AS SINGLE SIDE APPLICATION, EXCEPT AS SHOWN
 SCALE 5:1

THIS DRAWING IS A CONTROLLED DOCUMENT.		DWN: ARTHUR JIN 14NOV2019	TE Connectivity
		CHK: SEAN HAN 14NOV2019	
DIMENSIONS:	TOLERANCES UNLESS OTHERWISE SPECIFIED:	APVD:	NAME:
mm	0 PLC ±0.25	PRODUCT SPEC:	SFPDD 1X6 CAGE ASSEMBLY W/ HS
	1 PLC ±0.25	108-60128	PRESS-FIT, EXTERNAL EMI SPRINGS
	2 PLC ±0.20	APPLICATION SPEC:	
	3 PLC ±0.20	114-60027	SIZE: CAGE CODE: DRAWING NO:
	4 PLC ±	RESTRICTED TO:	A 00779 C=2345214
MATERIAL:	FINISH:	WEIGHT:	RESTRICTED CUSTOMER
		SCALE: 1:1	SHEET 4 OF 5

REVISIONS				
P.	LTN	DESCRIPTION	DATE	APVD
-	-	SEE SHEET 1	-	-

- A -



DETAIL C
SCALE 10:1

THIS DRAWING IS A CONTROLLED DOCUMENT.		DWN: ARTHUR JLN 14NOV2019 CHK: SEAN HAN 14NOV2019 APVD:	
DIMENSIONS: mm	TOLERANCES UNLESS OTHERWISE SPECIFIED: 0 PLC ±0.25 1 PLC ±0.25 2 PLC ±0.20 3 PLC ±0.20 4 PLC ±0.20 ANGLES ±	PRODUCT SPEC: 108-60128 APPLICATION SPEC: 114-60027 WEIGHT:	
MATERIAL: FINISH:		SCALE: 1:1	SHEET 5 OF 5 REV A

Mouser Electronics

Authorized Distributor

Click to View Pricing, Inventory, Delivery & Lifecycle Information:

[TE Connectivity:](#)

[2345214-1](#)