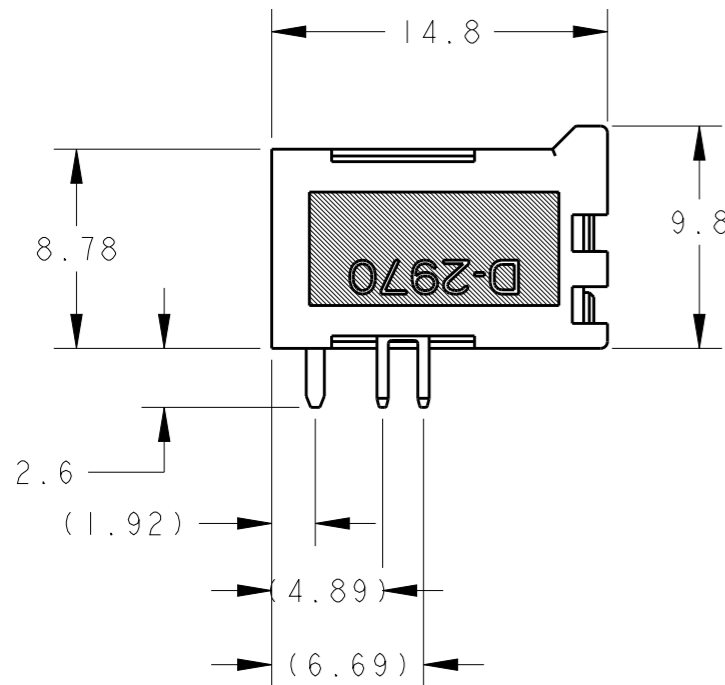
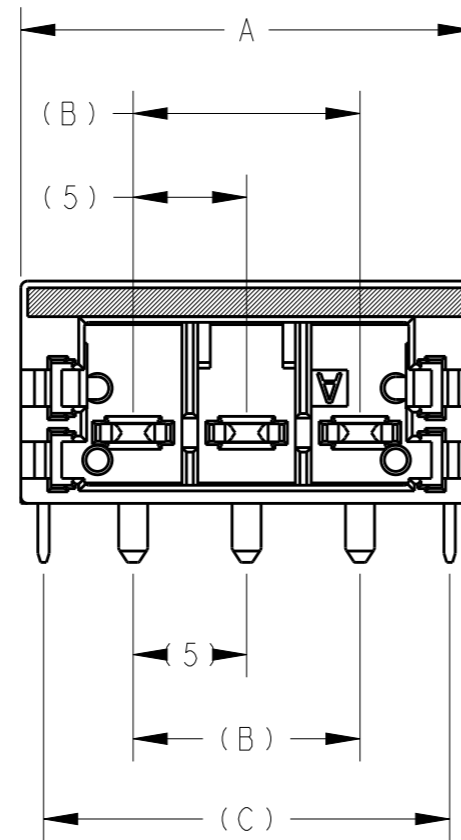
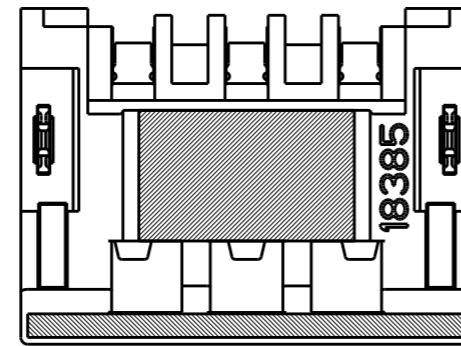


| P | LTR | DESCRIPTION | DATE | DWN | APVD |
|---|-----|-------------|-----------|-----|------|
| | A | RELEASE | 04NOV2020 | T.S | E.I |
| | | | | | |
| | | | | | |

⚠ MATERIAL AND FINISH
 HOUSING : LIQUID CRYSTAL PLASTIC, BLACK
 CONTACT : COPPER ALLOY, PLATING: CONTACT AREA SEE TABLE
 SOLDERING AREA TIN

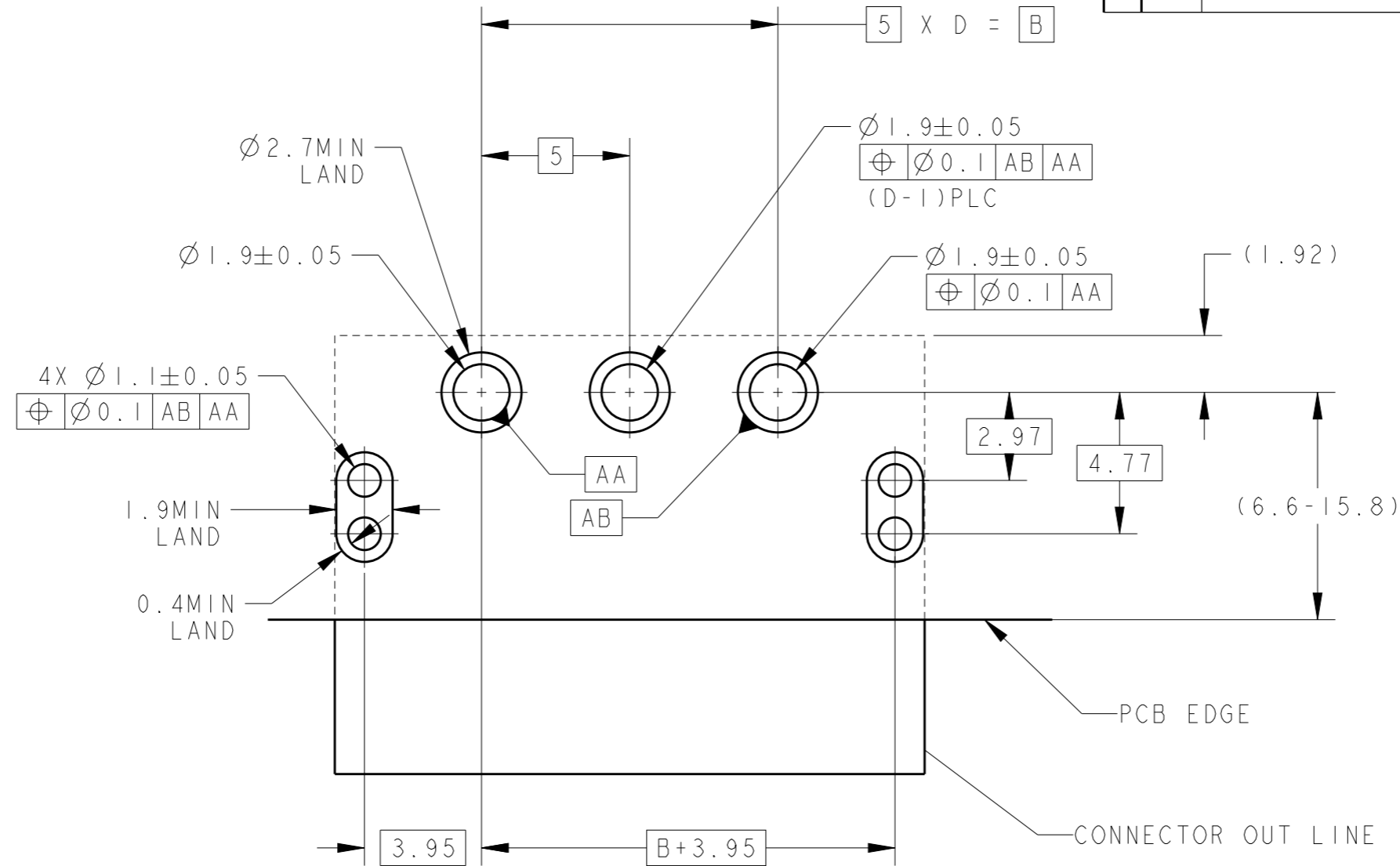
2. INSTRUCTION SHEET: 408-78171



| CONTACT AREA D | DIM C | DIM B | DIM A | NO OF POSN | PART NUMBER | |
|----------------|-------|-------|-------|------------|-------------|-------------|
| 0.38um GOLD | 3 | 22.9 | 15 | 24.9 | 4 | 2-2336491-4 |
| 0.38um GOLD | 2 | 17.9 | 10 | 19.9 | 3 | 2-2336491-3 |
| TIN | 3 | 22.9 | 15 | 24.9 | 4 | 2336491-4 |
| TIN | 2 | 17.9 | 10 | 19.9 | 3 | 2336491-3 |

| | | | | | | |
|--|--|-------------------------------|--|--------------------|-------------------------|--------------------|
| THIS DRAWING IS A CONTROLLED DOCUMENT. | | DWN 04NOV2020 H. OSABE | | | | |
| DIMENSIONS: mm | | CHK 04NOV2020 T. SHIMOYASU | | | | |
| TOLERANCES UNLESS OTHERWISE SPECIFIED: | | APVD 04NOV2020 F. IKEMATSU | NAME HEADER ASSEMBLY, 270 DEGREE TYPE D2970 PUSH-IN TYPE, DYNAMIC FIELD INSTALLABLE CONNECTOR | | | |
| 0 PLC ±0.5 1 PLC ±0.5 2 PLC ±0.5 3 PLC ± 4 PLC ± ANGLES ±5° | | PRODUCT SPEC 108-140223 | SIZE A3 | CAGE CODE 00779 | DRAWING NO C-2336491 | RESTRICTED TO - |
| MATERIAL | | WEIGHT | SCALE 3:1 | | SHEET 1 OF 2 | REV A |
| ⚠ - ⚠ - | | CUSTOMER DRAWING | | | | |

| P | LTR | DESCRIPTION | DATE | DWN | APVD |
|---|-----|-------------|------|-----|------|
| - | - | SEE SHEET 1 | - | - | - |
| | | | | | |
| | | | | | |



RECOMMENDED PCB LAYOUT

| | | | | |
|--|--|----------------------------------|--|--------------------|
| THIS DRAWING IS A CONTROLLED DOCUMENT. | | DWN H. OSABE 15MAY2019 | | |
| DIMENSIONS: mm | | CHK T. SHIMOYASU 15MAY2019 | | |
| TOLERANCES UNLESS OTHERWISE SPECIFIED: | | APVD F. IKEMATSU 15MAY2019 | NAME HEADER ASSEMBLY, 270 DEGREE TYPE D2970 PUSH-IN TYPE, DYNAMIC FIELD INSTALLABLE CONNECTOR | |
| 0 PLC ±0.5 1 PLC ±0.5 2 PLC ±0.5 3 PLC ± 4 PLC ± ANGLES ±5° | | PRODUCT SPEC 108-140223 | RESTRICTED TO | |
| MATERIAL - | | FINISH - | APPLICATION SPEC - | SIZE A3 |
| - | | WEIGHT - | APPLICATION SPEC - | CAGE CODE 00779 |
| - | | CUSTOMER DRAWING | DRAWING NO G-2336491 | SCALE 3:1 |
| - | | | | SHEET 2 OF 2 |
| - | | | | REV A |

Mouser Electronics

Authorized Distributor

Click to View Pricing, Inventory, Delivery & Lifecycle Information:

[TE Connectivity:](#)

[2336491-3](#)