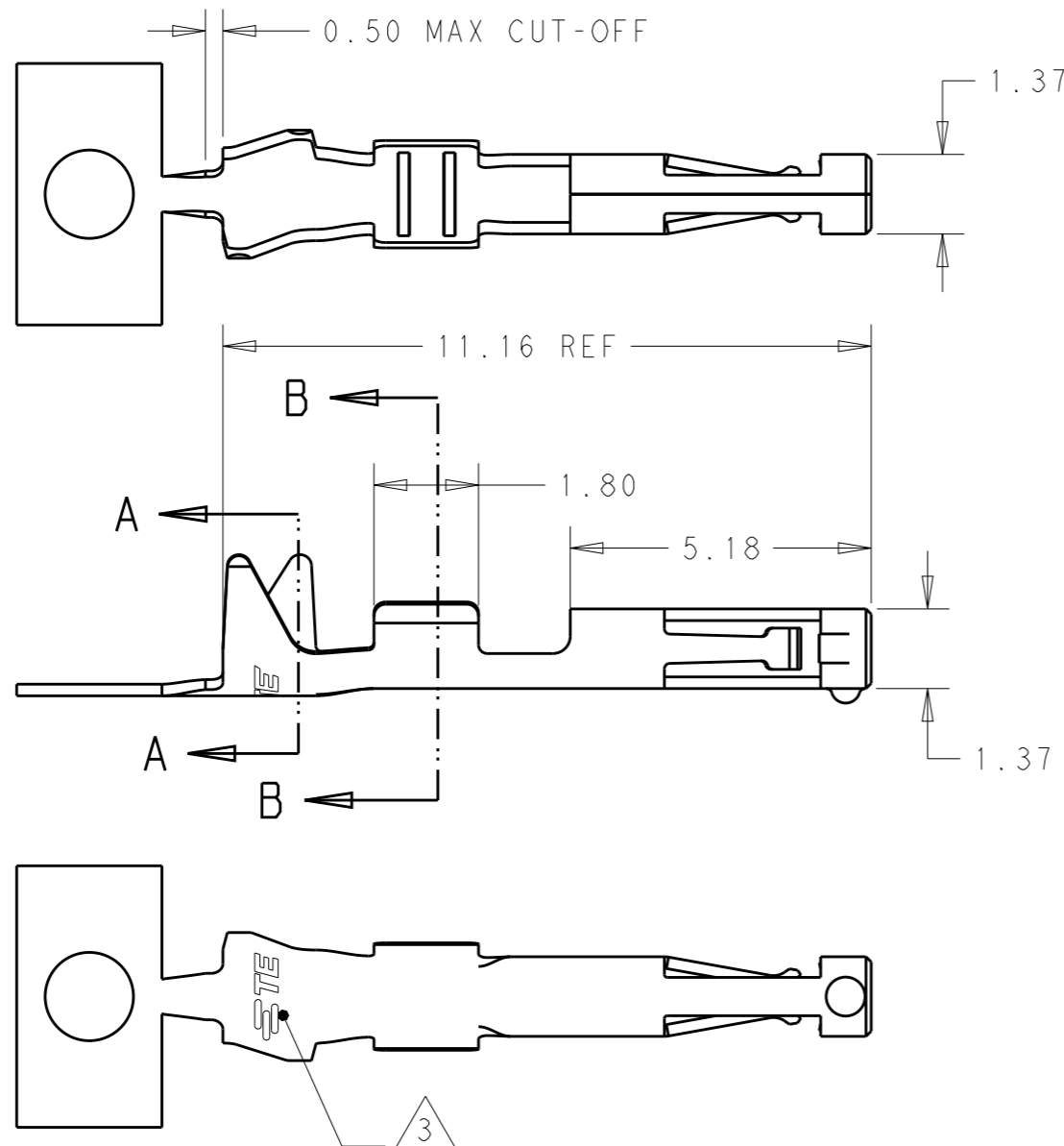


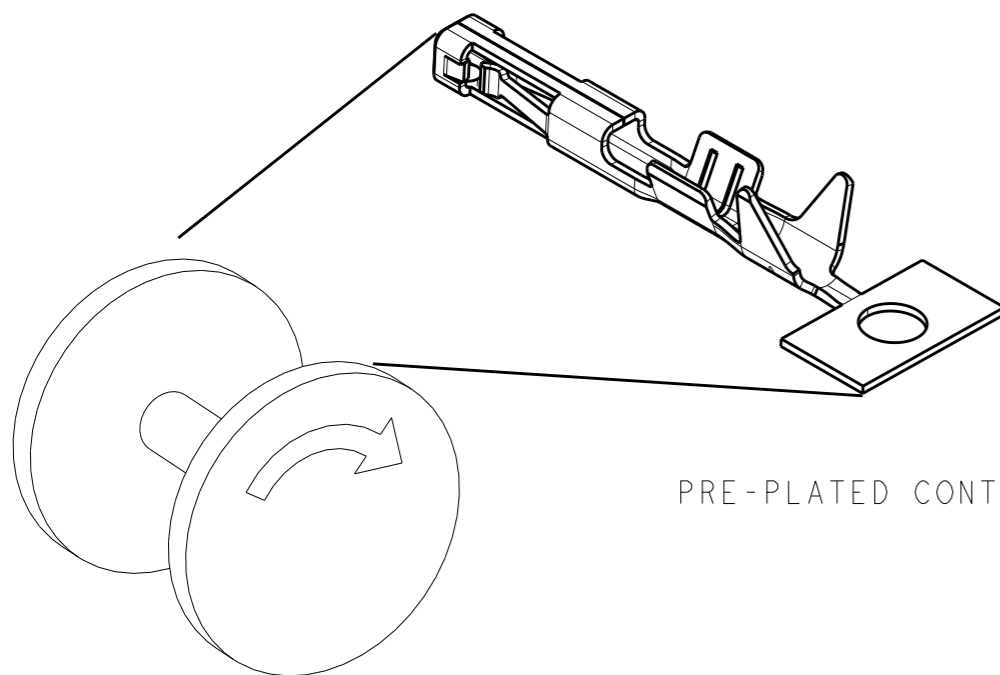
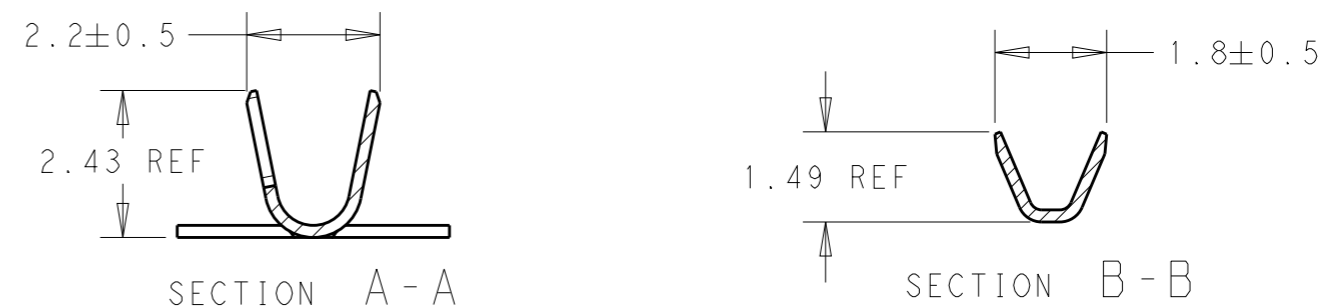
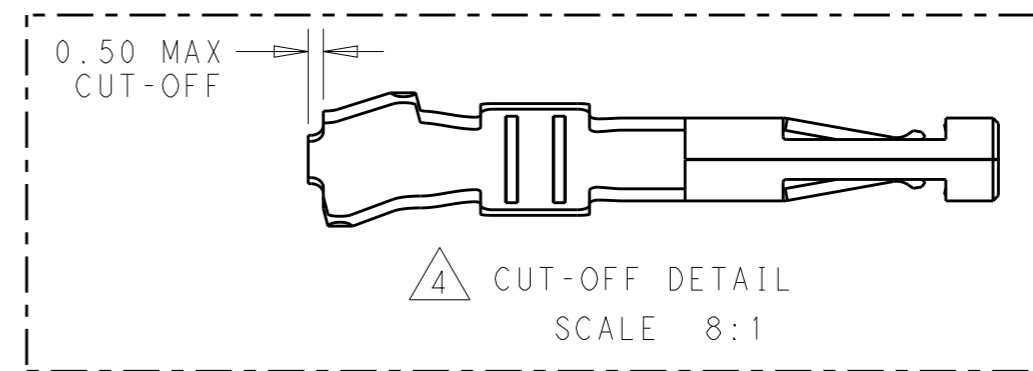
THIS DRAWING IS UNPUBLISHED. RELEASED FOR PUBLICATION 20 ALL RIGHTS RESERVED. © COPYRIGHT 20 BY -

REVISIONS

P	LTR	DESCRIPTION	DATE	DWN	APVD
	A	INITIAL RELEASE	08AUG2019	L.C	D.Z



- 1 COPPER ALLOY, 0.20 THICK, REF
- 2 FINISH: TIN PRE-PLATED
- 3 TE LOGO LOCATED APPROX IN THIS AREA
- 4 TO BE SUPPLIED WITH LOOSE PIECE, SEE CUT-OFF DETAIL
- 5 MATING PLUG HOUSING P/NS: 2321918-*
- 6 APPLICATION FEED 6.0mm



PRE-PLATED CONTACT

INSULATION DIA	WIRE RANGE	REMARKS	FINISH	PART NO
1.30-1.60	22-26 AWG	LOOSE PIECE, SEE 4	2	1-2321921-1
1.30-1.60	22-26 AWG	ON REEL	2	2321921-1

THIS DRAWING IS A CONTROLLED DOCUMENT.		DWN R. SMITH 28JUL2017	TE Connectivity RECEPTACLE TERMINAL, SDL 2.5 WATERPROOF	
DIMENSIONS: mm		CHK C. YI 28JUL2017		
TOLERANCES UNLESS OTHERWISE SPECIFIED:		APVD C. YI 28JUL2017		
0 PLC ±- 1 PLC ±0.50 2 PLC ±0.25 3 PLC ±- 4 PLC ±- ANGLES ±-		PRODUCT SPEC 108-143069	NAME	
MATERIAL 1		APPLICATION SPEC 114-143067	SIZE	
FINISH -		WEIGHT -	CAGE CODE	
SEE TABLE		CUSTOMER DRAWING	DRAWING NO	
		SCALE 6:1	RESTRICTED TO	
		SHEET 1 OF 1	REV A	

Mouser Electronics

Authorized Distributor

Click to View Pricing, Inventory, Delivery & Lifecycle Information:

[TE Connectivity:](#)

[2321921-1](#)