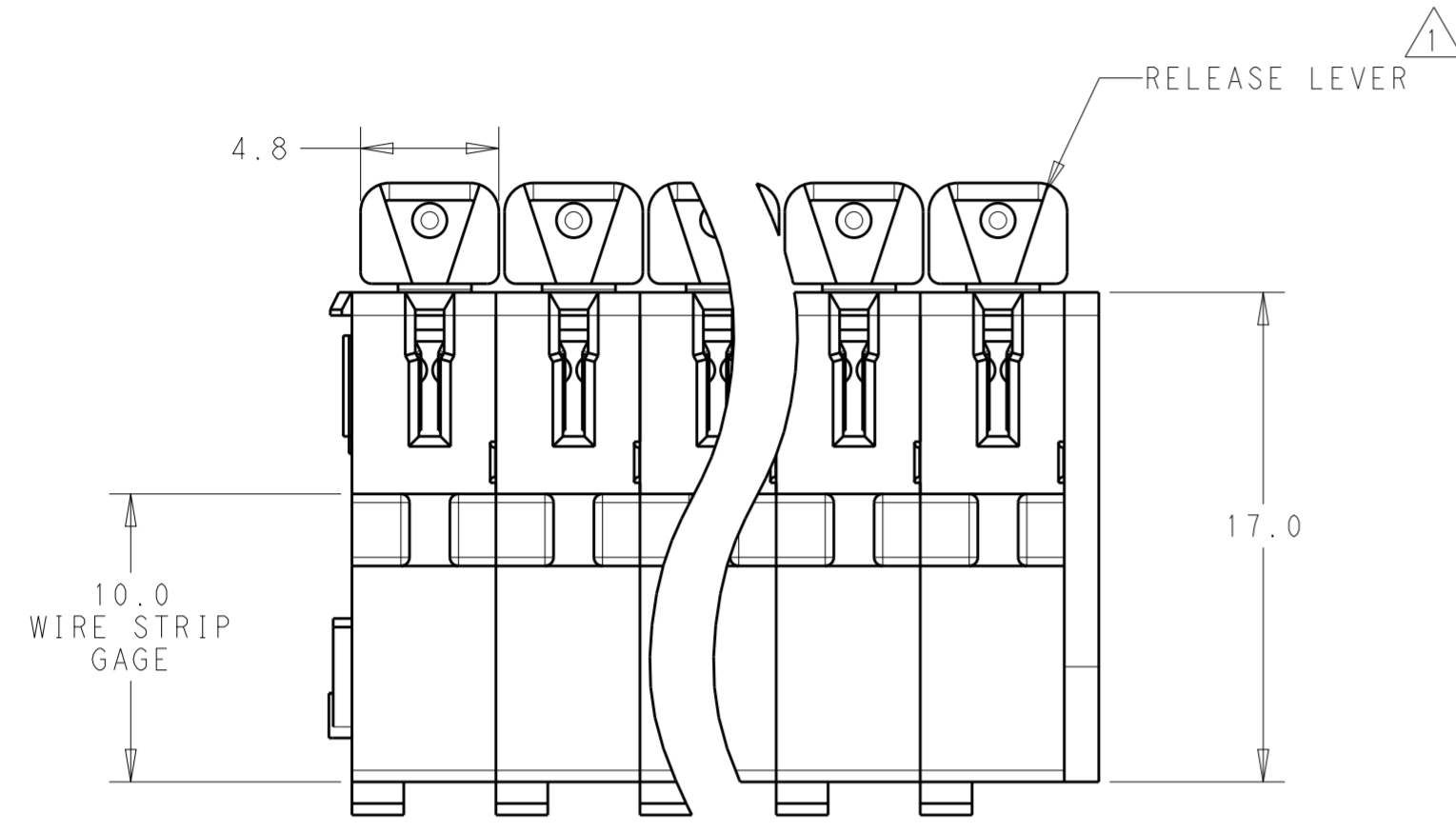


THIS DRAWING IS UNPUBLISHED. RELEASED FOR PUBLICATION  
 © COPYRIGHT copyright.dBTe- ALL RIGHTS RESERVED.

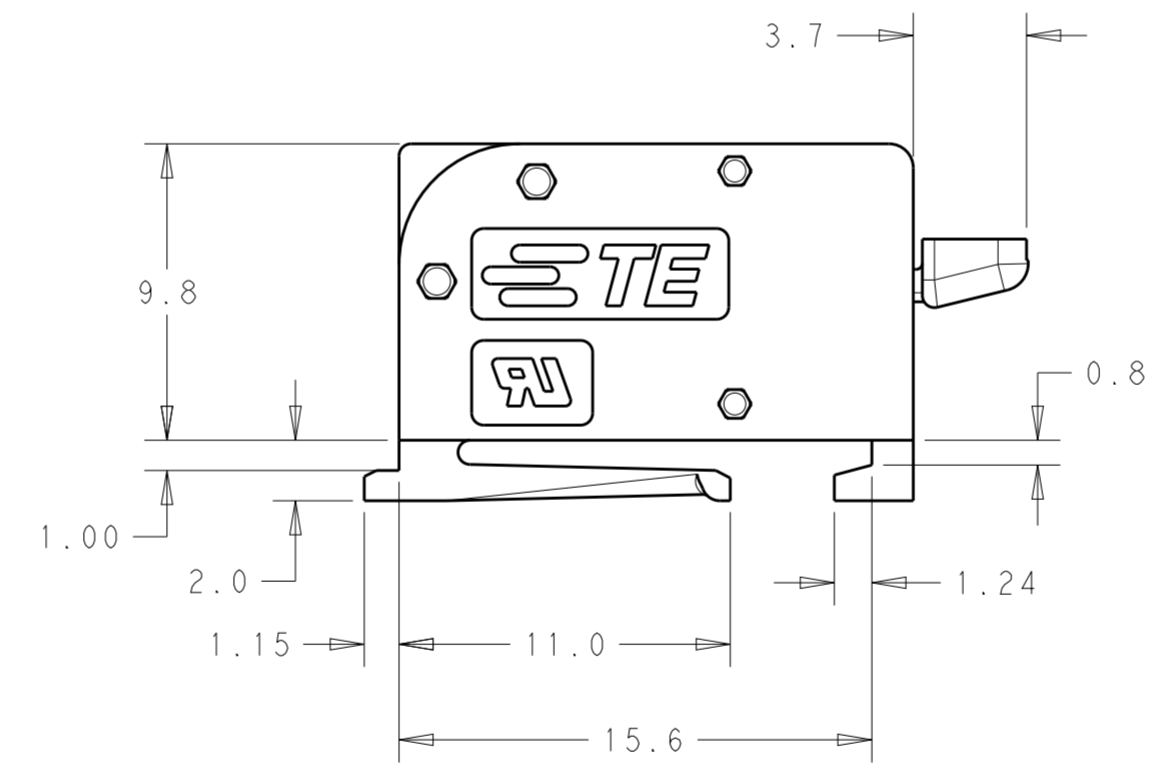
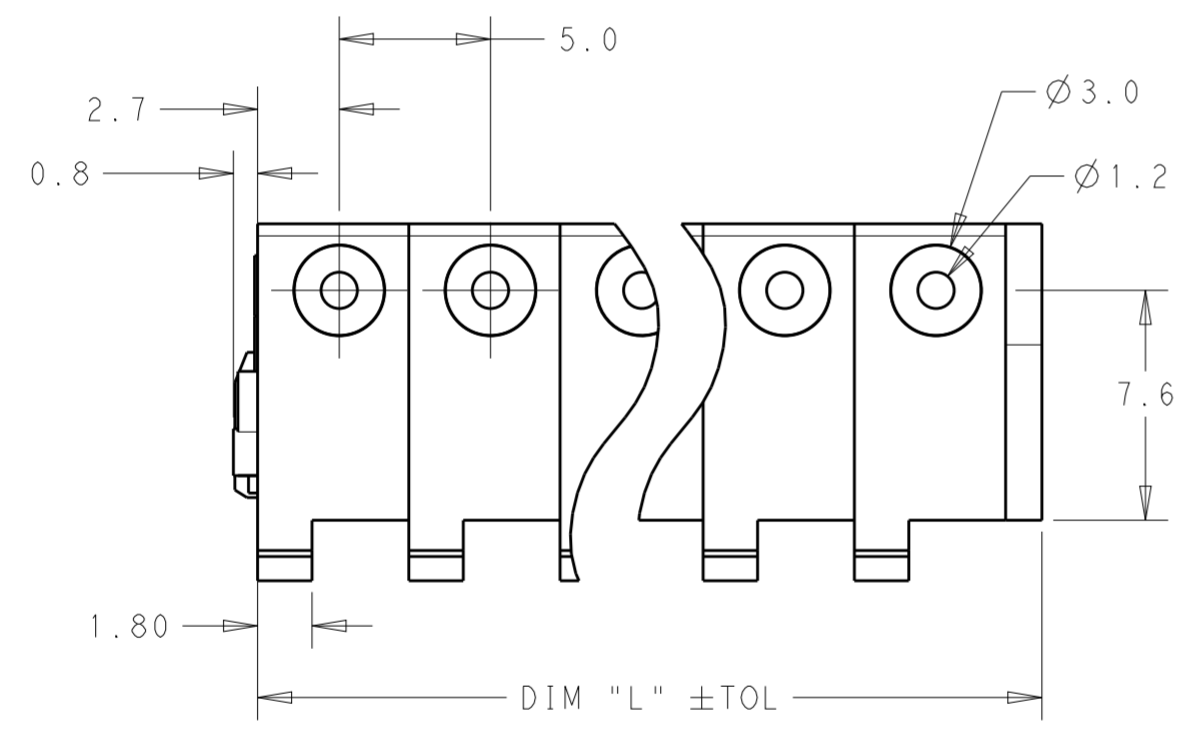
REVISIONS				
P	LTR	DESCRIPTION	DATE	APVD
2		PART UPDATE	07FEB2018	JS ML
3		ADD 2319461-2 TO PARTS LIST, CHANGE TITLE	19MAR2018	JS ML
A		ECR-18-011503	24JUL2018	GCM DD
A1		ECR-18-013416	17SEP2018	SR DD



1 MATERIALS AND FINISH:  
 CONNECTOR HOUSING: GF PBT, COLOR: NATURAL  
 END CAP: GF PBT, COLOR: NATURAL  
 RELEASE LEVER: GF PBT, COLOR: GREY  
 CONTACTS: COPPER ALLOY, FINISH; Sn OVER Ni

2 CLEARANCE BETWEEN MOUNTING PLATE AND RELEASE LEVER AT MAXIMUM TRAVEL AS SHOWN.

- 3. MATERIALS COMPLY WITH DIRECTIVE 2002/95/EC (ROHS).
- 4. THIS PRODUCT HAS NOT COMPLETED VALIDATION TESTING.
- 5. PACKAGED IN TRAYS.

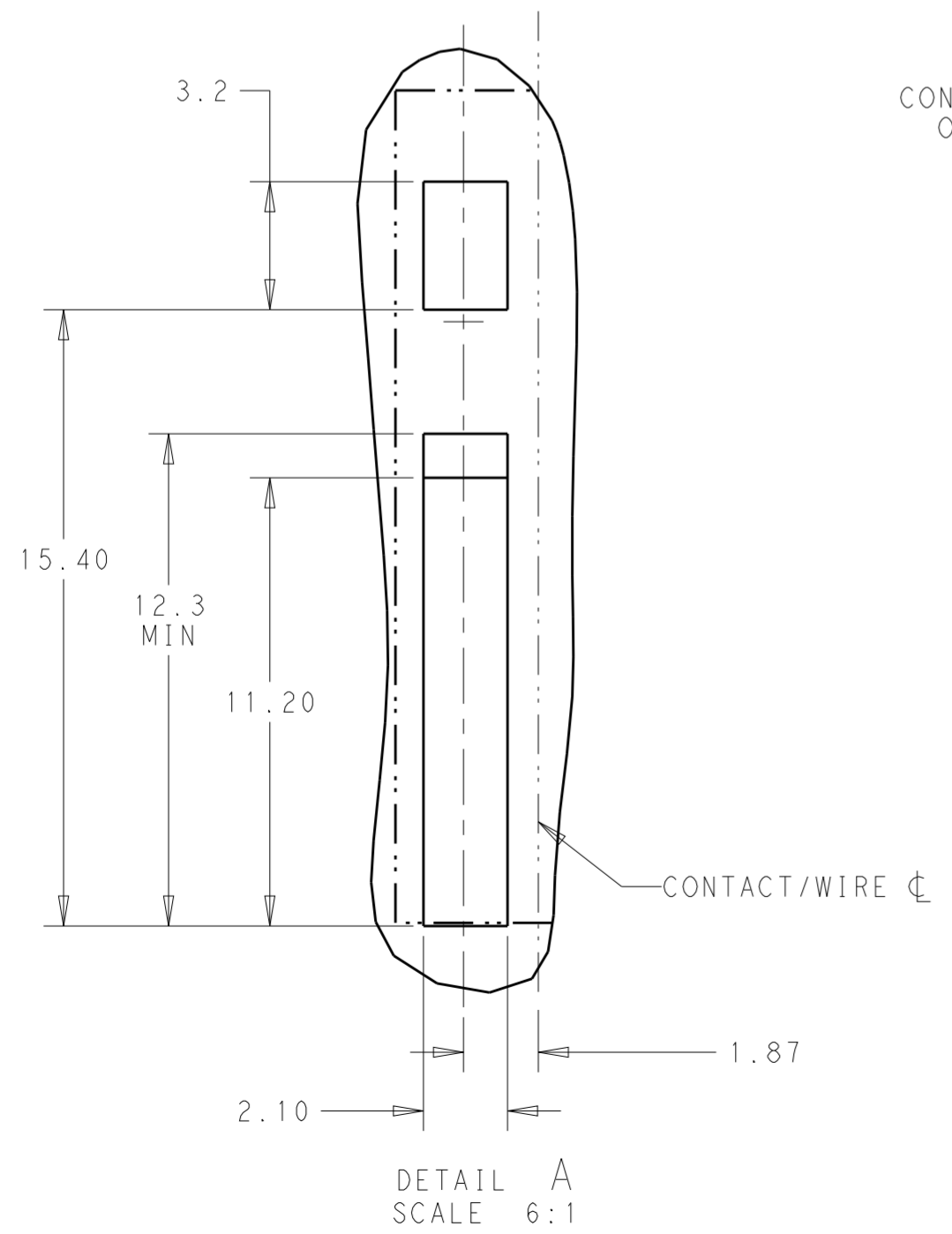
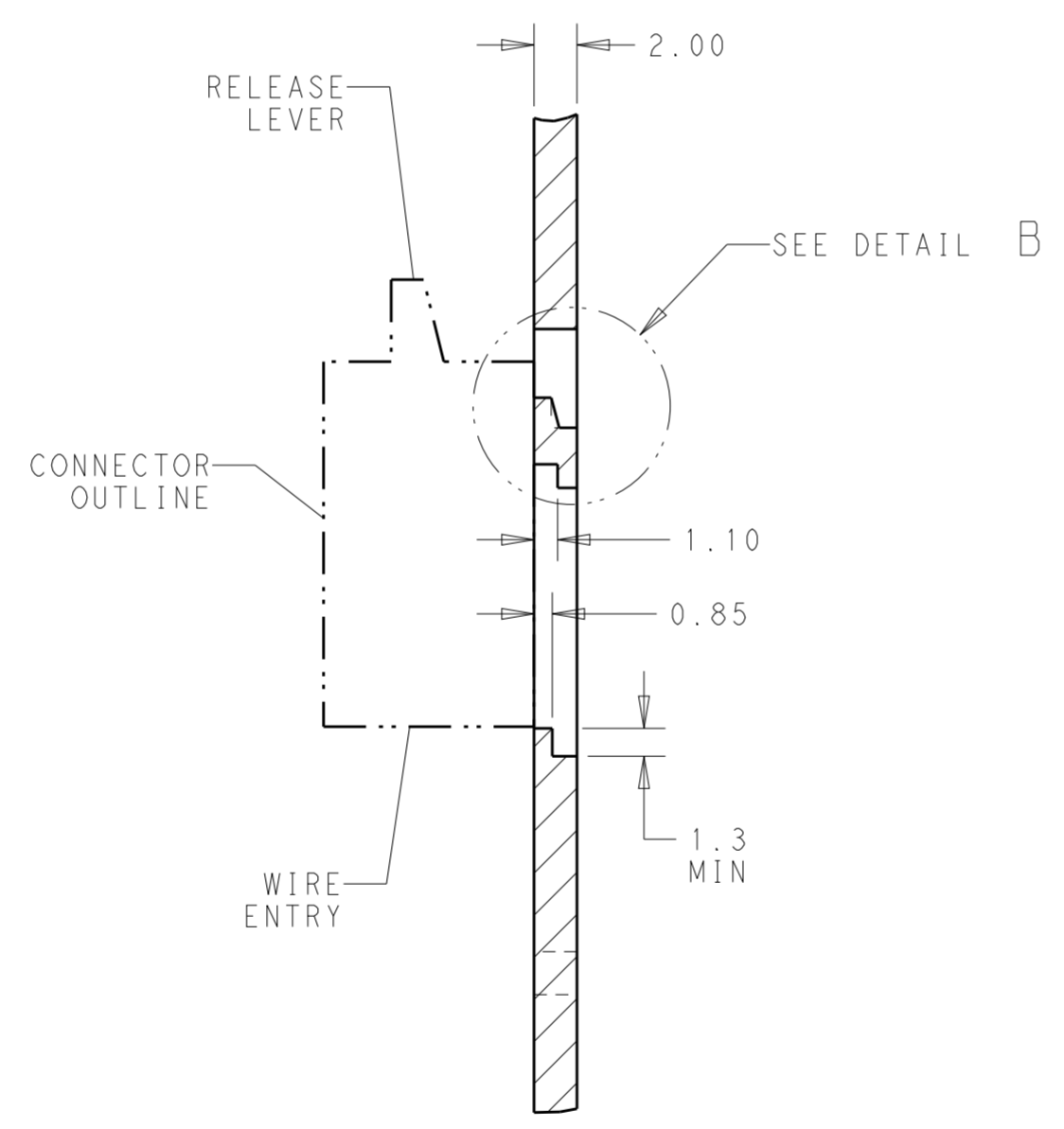
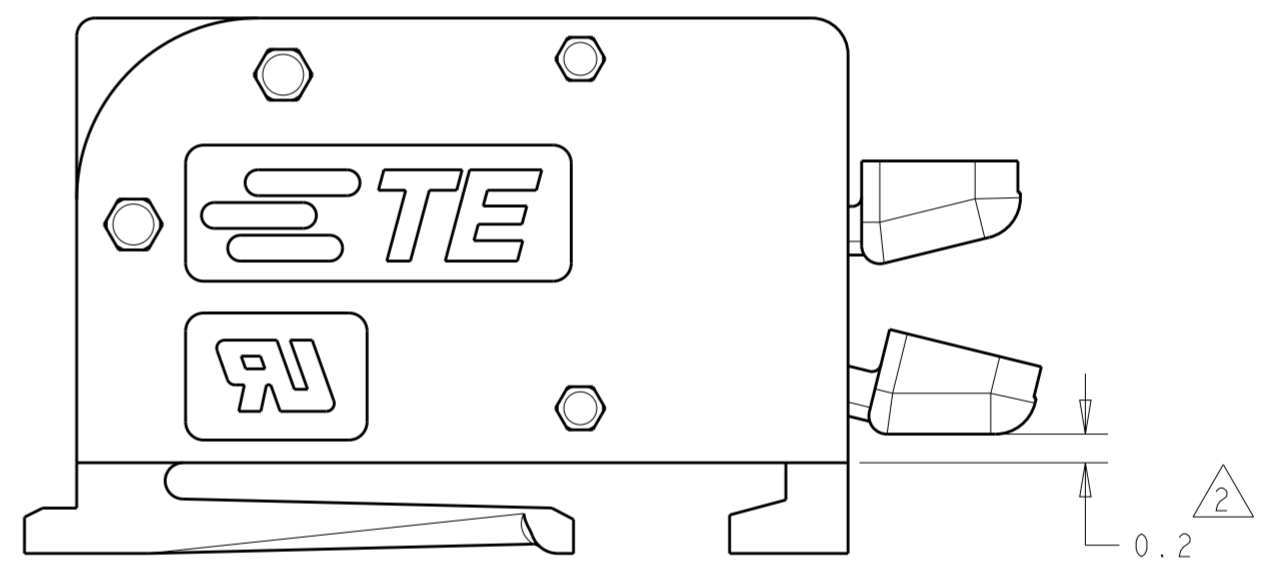
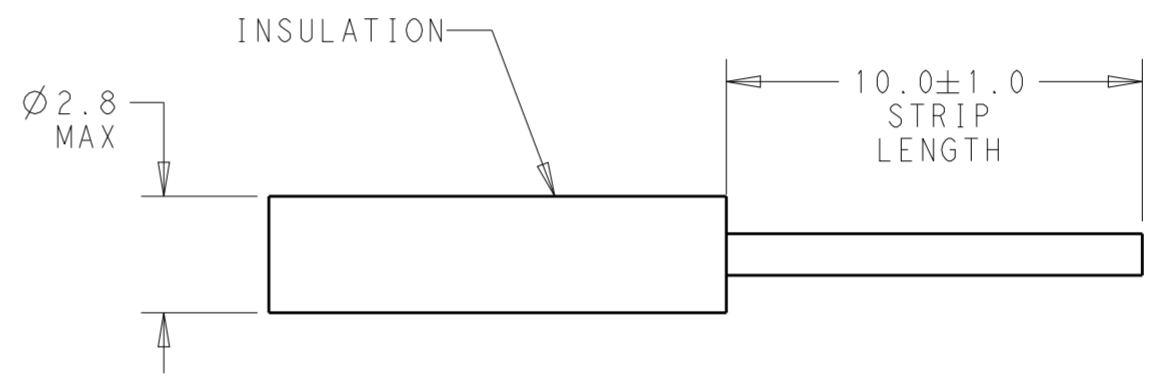
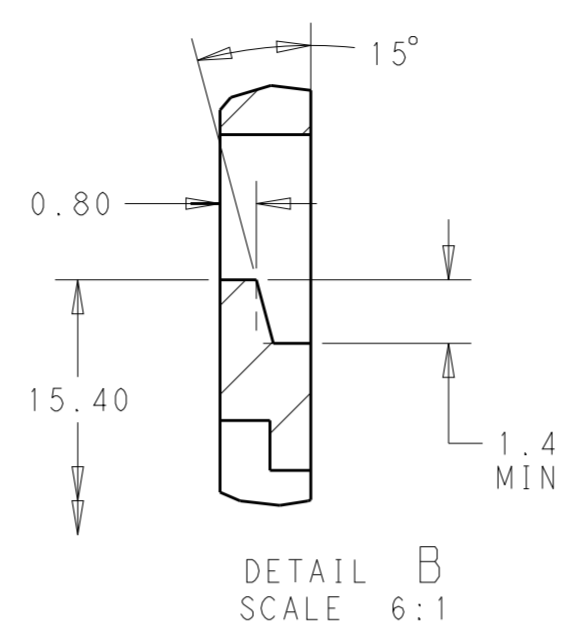
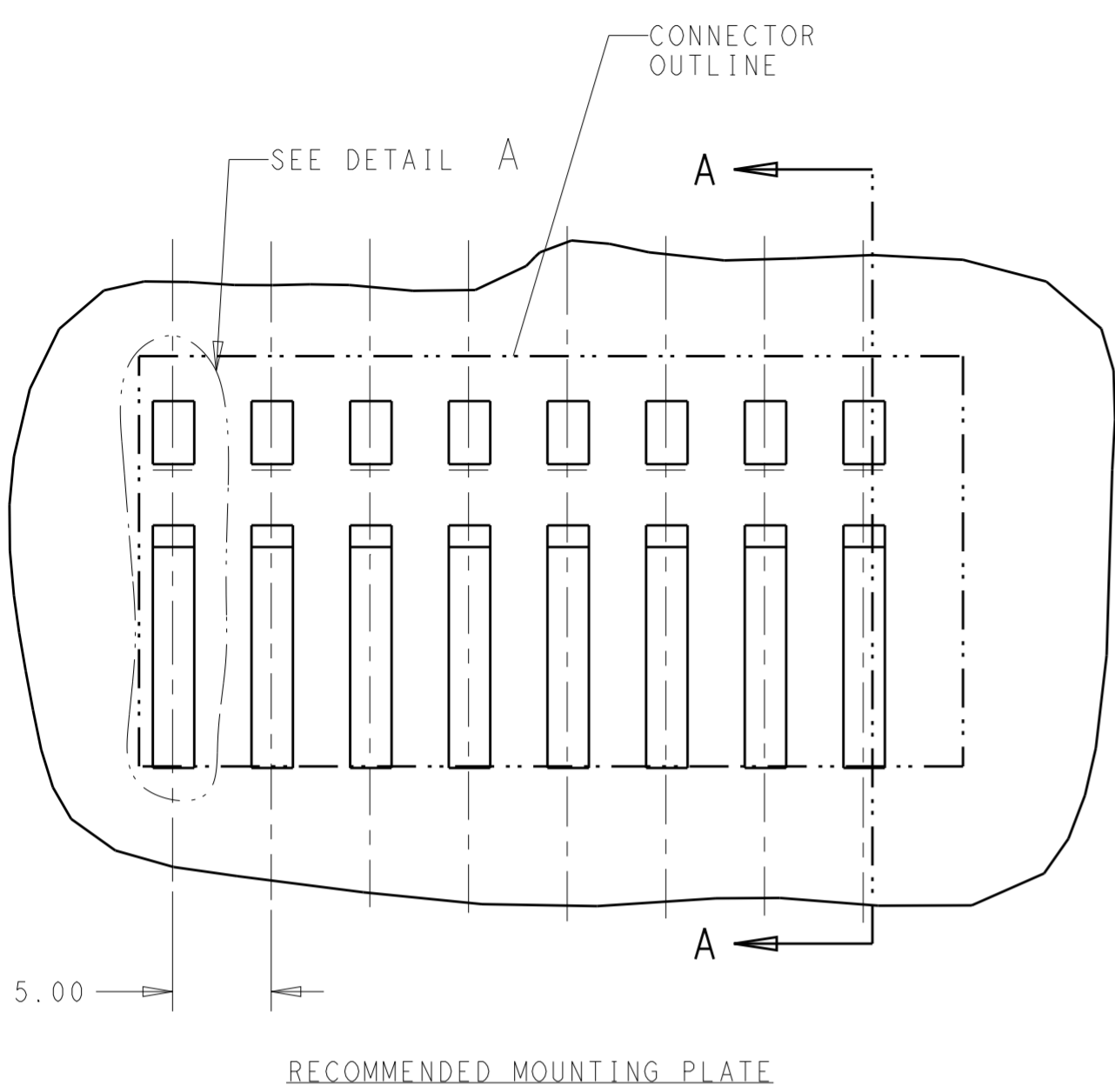


41.2	8	2319461-8
36.2	7	2319461-7
31.2	6	2319461-6
26.2	5	2319461-5
21.2	4	2319461-4
16.2	3	2319461-3
11.2	2	2319461-2
DIM "L"	CIRCUITS	TE PART NUMBER

THIS DRAWING IS A CONTROLLED DOCUMENT.		DWN J. SHAFFER 19 JUL 2017	TE Connectivity	
DIMENSIONS:		CHK MAREK LUKSIC 19 JUL 2017		
TOLERANCES UNLESS OTHERWISE SPECIFIED:		APVD MAREK LUKSIC 19 JUL 2017	NAME BUCHANAN WireMate POKE-IN CONNECTOR, 5mm PITCH	
mm	0 PLC ± 1 PLC ±0.20 2 PLC ±0.10 3 PLC ± 4 PLC ±	PRODUCT SPEC -	SIZE A200779	CAGE CODE C-2319461
MATERIAL	ANGLES ±2° FINISH	APPLICATION SPEC -	SCALE 3:1	SHEET 1 OF 2
-		WEIGHT -	RESTRICTED TO -	
-		CUSTOMER DRAWING	REV A1	

THIS DRAWING IS UNPUBLISHED. RELEASED FOR PUBLICATION  
 © COPYRIGHT copyright dbTe ALL RIGHTS RESERVED.

REVISIONS				
P	LTR	DESCRIPTION	DATE	APVD
-	-	SEE SHEET 1	-	-



THIS DRAWING IS A CONTROLLED DOCUMENT.		DWN J. SHAFFER 19 JUL 2017	TE Connectivity	
DIMENSIONS: mm		CHK MAREK LUKSIC 19 JUL 2017		
TOLERANCES UNLESS OTHERWISE SPECIFIED:		APVD MAREK LUKSIC 19 JUL 2017	NAME BUCHANAN WireMate POKE-IN CONNECTOR, 5mm PITCH	
0 PLC	±	PRODUCT SPEC	SIZE	RESTRICTED TO
1 PLC	±0.20	APPLICATION SPEC	A200779	-
2 PLC	±0.10	WEIGHT	C-2319461	-
3 PLC	±	CUSTOMER DRAWING	SCALE 3:1	SHEET 2 OF 2
4 PLC	±			REV A1
ANGLES	±2°			
FINISH	-			

# Mouser Electronics

Authorized Distributor

Click to View Pricing, Inventory, Delivery & Lifecycle Information:

[TE Connectivity:](#)

[2319461-5](#)