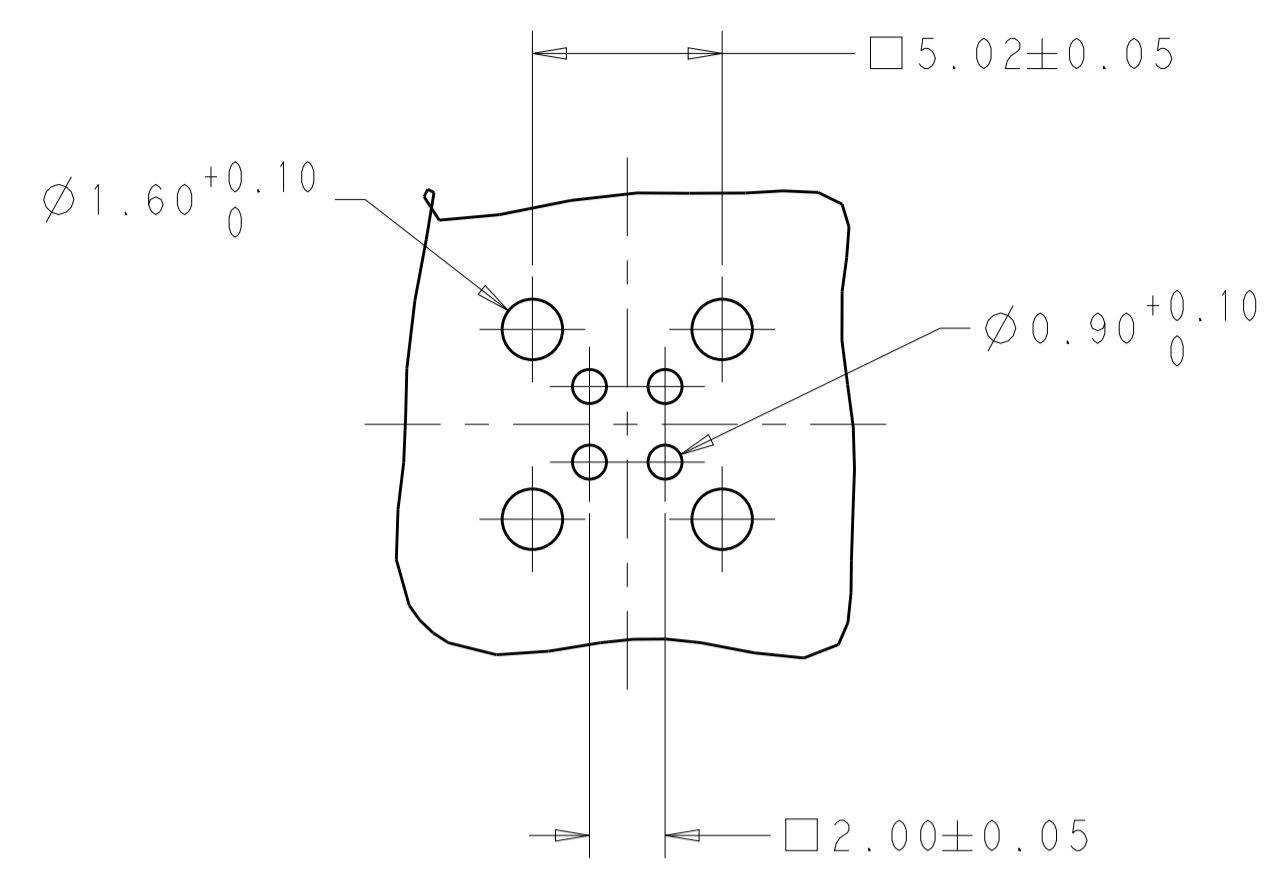
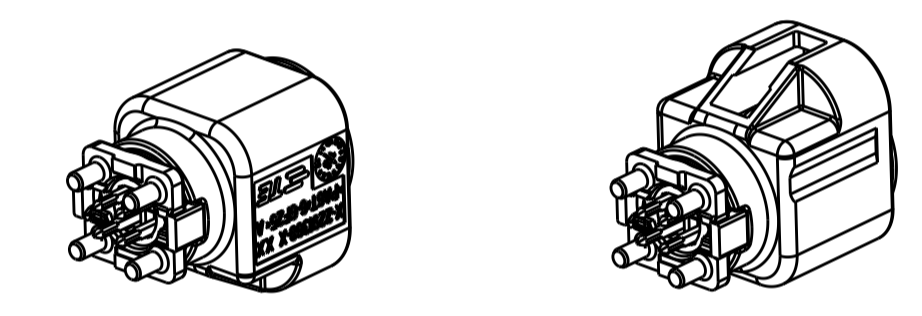
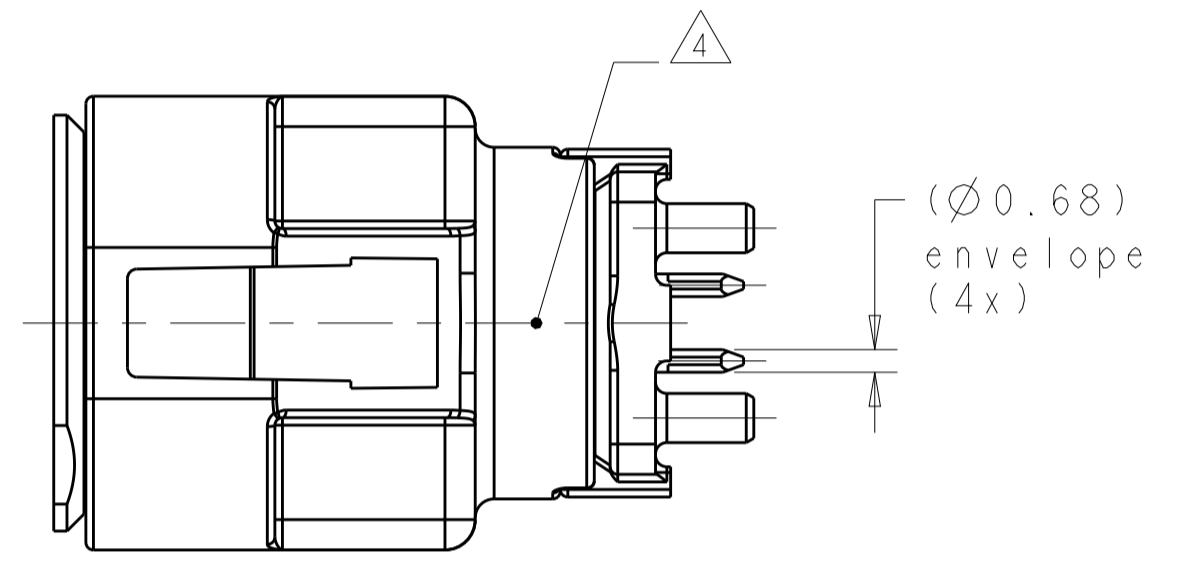


REVISIONS					
P.	LTN	DESCRIPTION	DATE	DMN	APVD
A		INITIAL RELEASE	08JUN16	F.P.	P.W.
A1	ECR-18-004841		04MAY18	F.P.	W.W.
A2	ECR-19-019964		24DEC19	B.Z.	W.W.

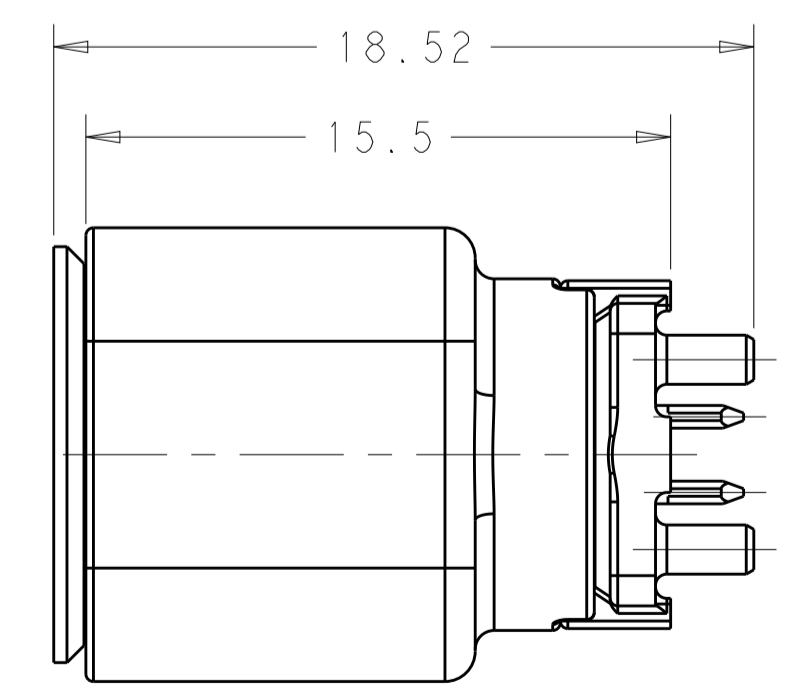
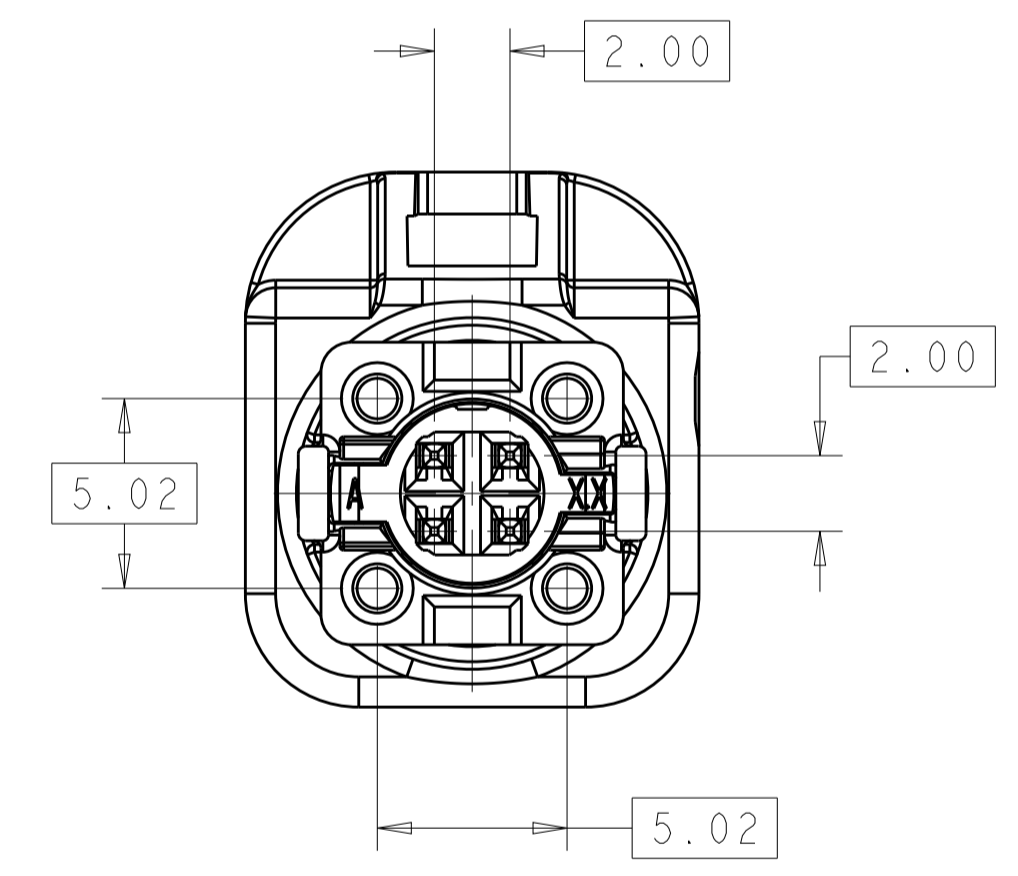
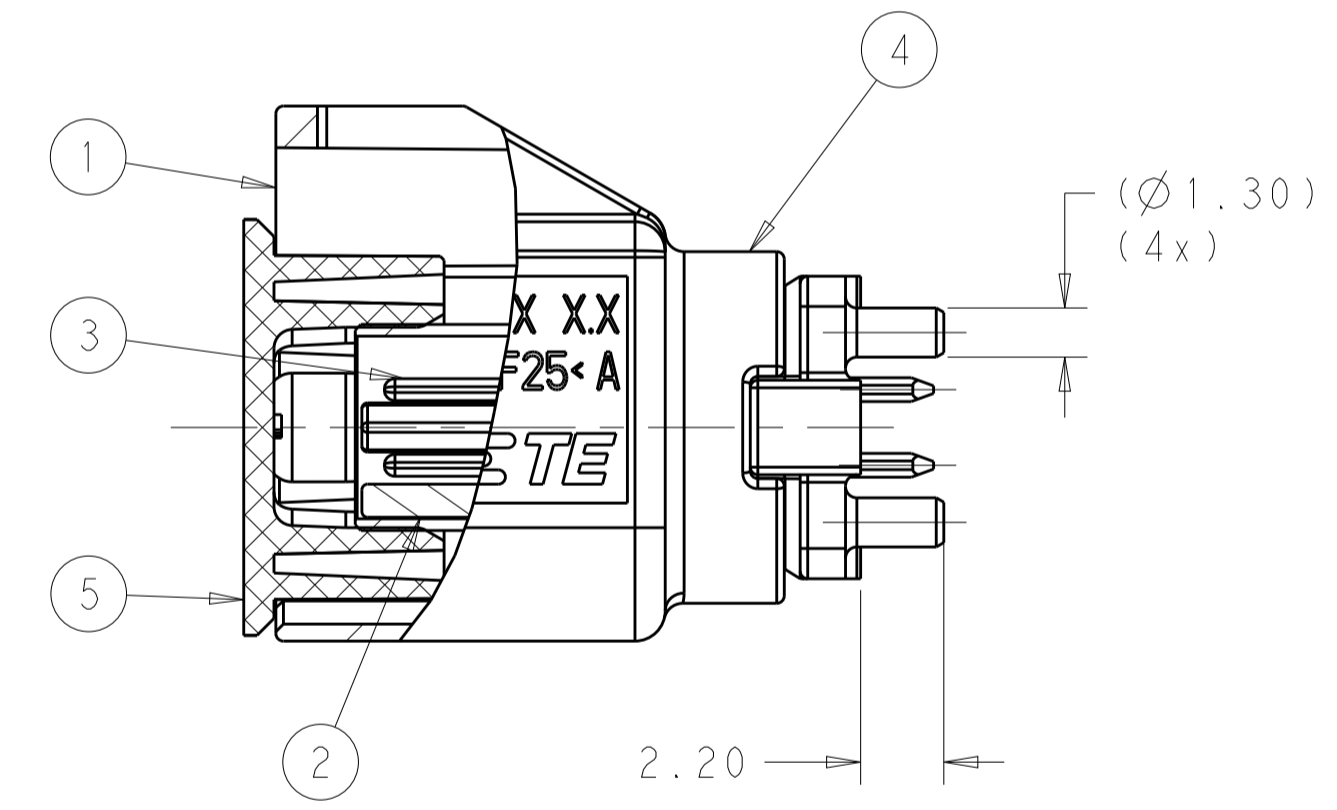
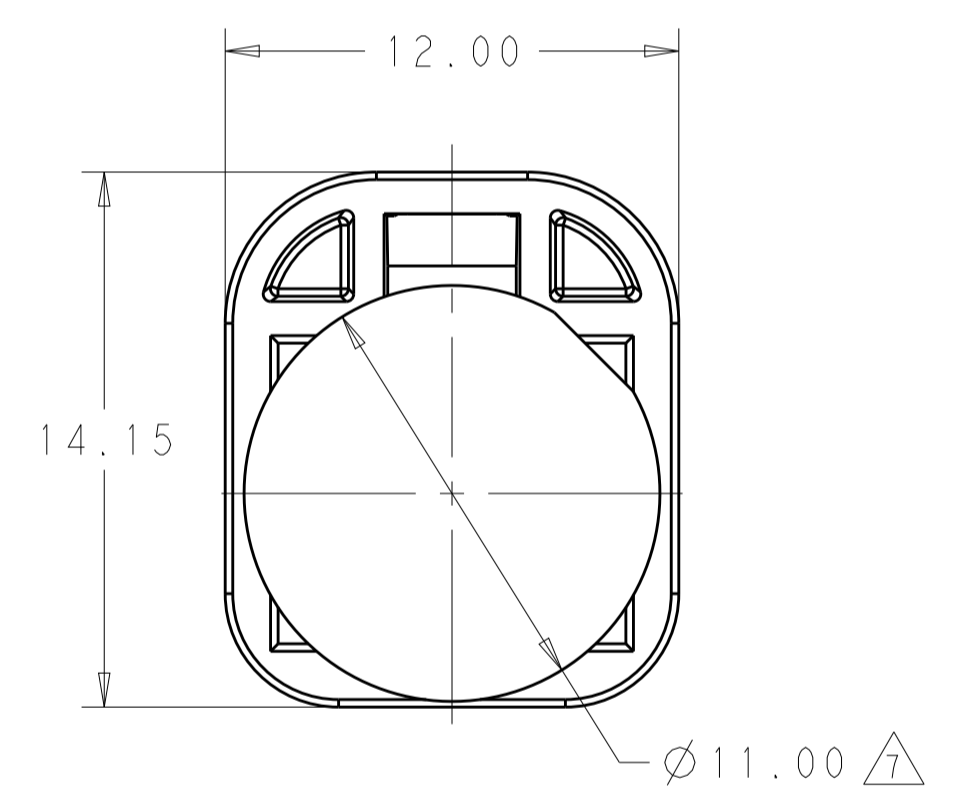
CODINGS						
CODE A	CODE B	CODE C	CODE D	CODE E	CODE F	CODE Z
CODE G	CODE H	CODE J	CODE K	CODE L	CODE M	CODE O



- NOTES
- 1 DETAILS OF DESIGN ARE LEFT TO TE CONNECTIVITY
 - 2 HSD INTERFACE ACC. TO TE SPEC. 114-18950
 - 3 PACKAGING: TAPE AND REEL
 - 4 MARKING OF 100% TEST PASSED
 - 5 FITS WITH HSD CONNECTOR 90 DEG. TE PN X-2208145-X AND HSD CONTACT 90 DEG. TE PN 2236774-1...-3 OR HSD CONNECTOR 180 DEG TE PN X-1823898-X AND HSD CONTACT 180 DEG. TE PN 2236772-1
 - 6 ALL DIMENSIONS IN BRACKETS () FOR INFORMATION ONLY
- △.AREA OF VACUUM PICKUP
- WEIGHT [g]: 3
 AS SHOWN CODING Z



SCALE 2:1



QTY	CODE	DESCRIPTION	MATERIAL	FINISH COLOR, SIMILAR RAL	ITEM NO.
1		PICK-UP CAP	NYLON	BLACK	5
1		SHIELDING BODY	Zn ALLOY	INTERFACE SIDE: TIN PLATING 3µm MIN. SOLDER SIDE: TIN PLATING 3µm MIN.	4
4		CONTACT PIN	CuSn4	SOLDER SIDE: TIN PLATING 3µm MIN. INTERFACE SIDE: GOLD PLATING 0.8µm MIN.	3
1		CAVITY BLOCK	LCP	BLACK	2
				CODING COVER	1
				PA6T/6-GF25	
				LIGHT GREEN / 6027	
				PASTEL ORANGE / 2003	
				YELLOW GREEN / 6048	
				CURRY / 1027	
				BEIGE / 1001	
				HEATHER VIOLET / 4003	
				BLUISH GREY / 7031	
				WATER BULE / 5021	
				NUT BROWN / 8011	
				LEAF GREEN / 6002	
				CLARET VIOLET / 4004	
				SIGNAL BLUE / 5005	
				CREAM WHITE / 9001	
				JET BLACK / 9005	

THIS DRAWING IS A CONTROLLED DOCUMENT.		DMN: F.PAN 08JUN2016	TE Connectivity
DIMENSIONS: mm		CHK: P.WU 08JUN2016	
TOLERANCES UNLESS OTHERWISE SPECIFIED:		APVD: Y.YIN 08JUN2016	
0 PLC ±0.5 1 PLC ±0.5 2 PLC ±0.5 3 PLC ±0.5 4 PLC ±0.5 ANGLES ±0.5 FINISH		PRODUCT SPEC: 108-101388 APPLICATION SPEC: 114-32195 WEIGHT: - Customer Drawing	
MATERIAL: -		SIZE: A1	NAME: HSD HEADER 180DEG 4POS. ASSY. WITH PICKUP CAP 108-101388 CAGE CODE: - DRAWING NO: 2304935 SCALE: 5:1 SHEET 1 OF 1 REV: A2

Mouser Electronics

Authorized Distributor

Click to View Pricing, Inventory, Delivery & Lifecycle Information:

[TE Connectivity:](#)

[2304935-1](#)