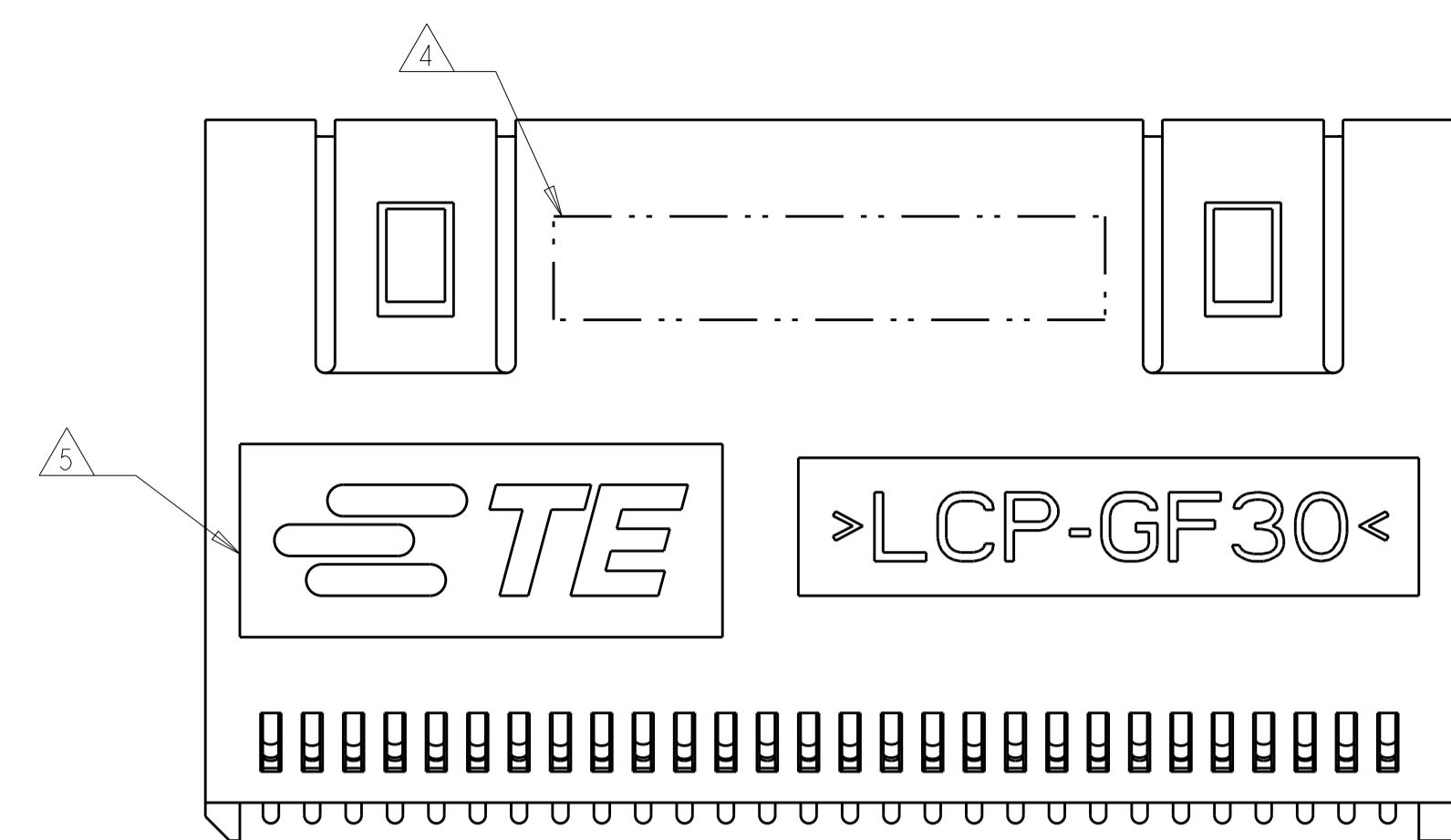
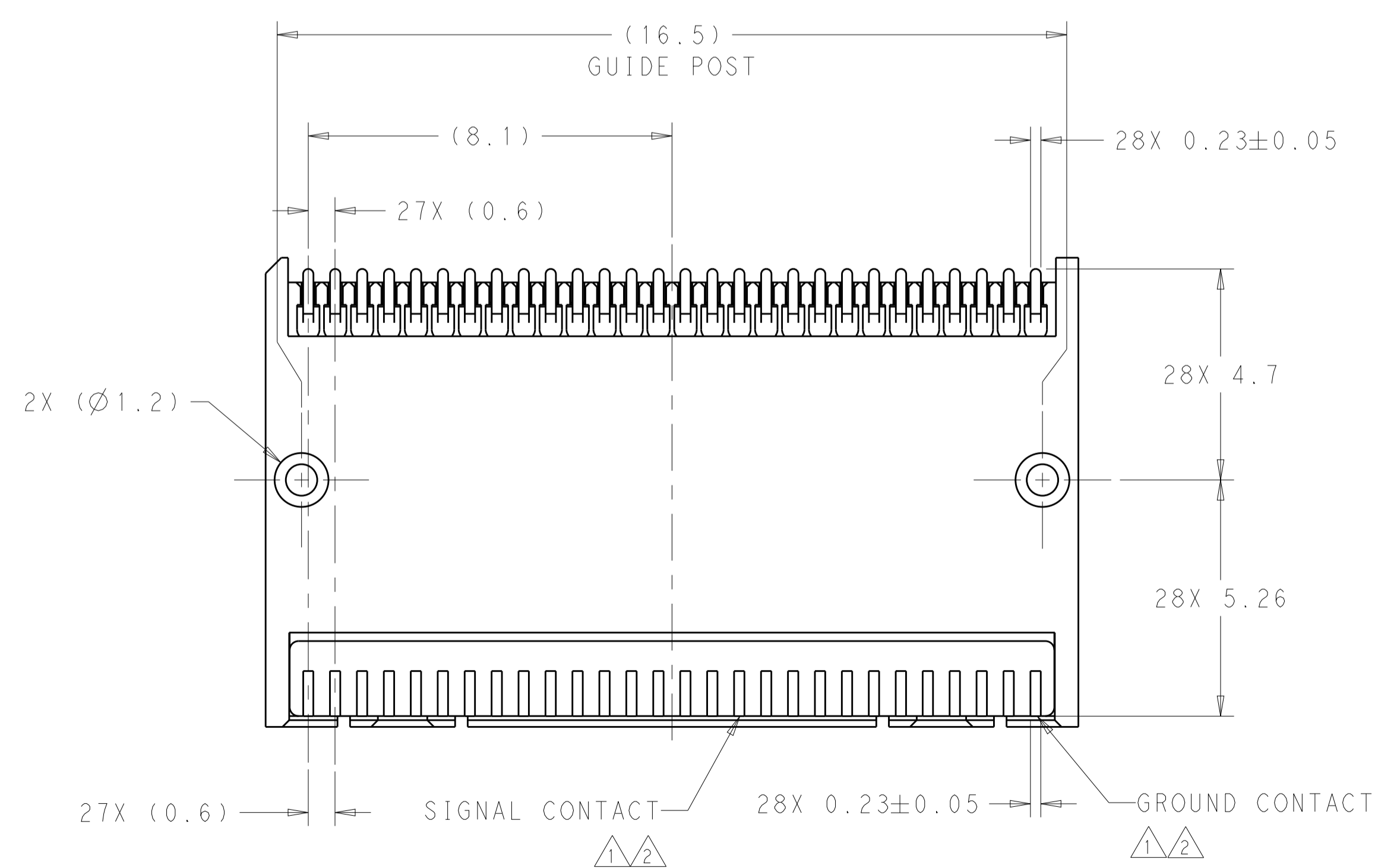
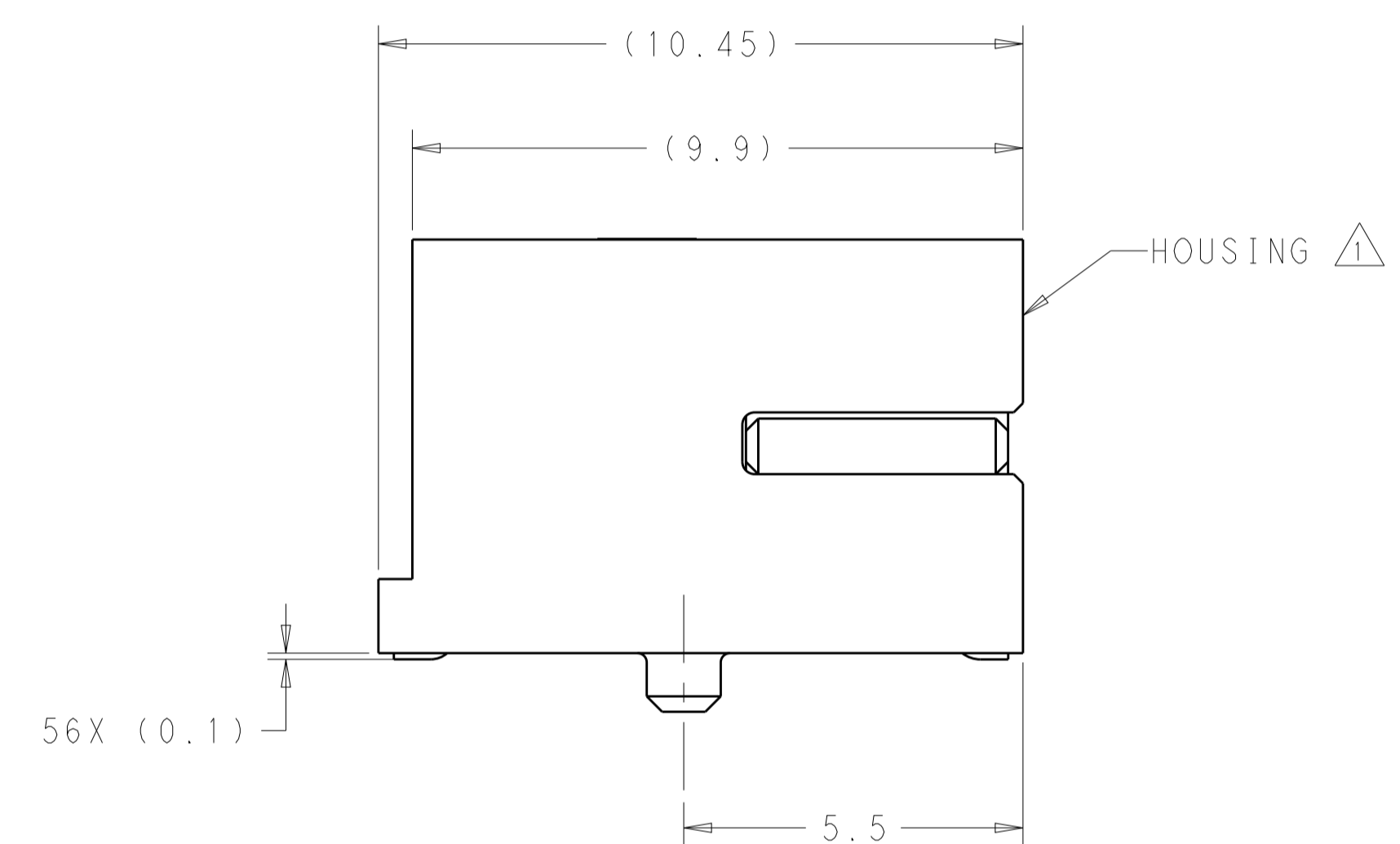
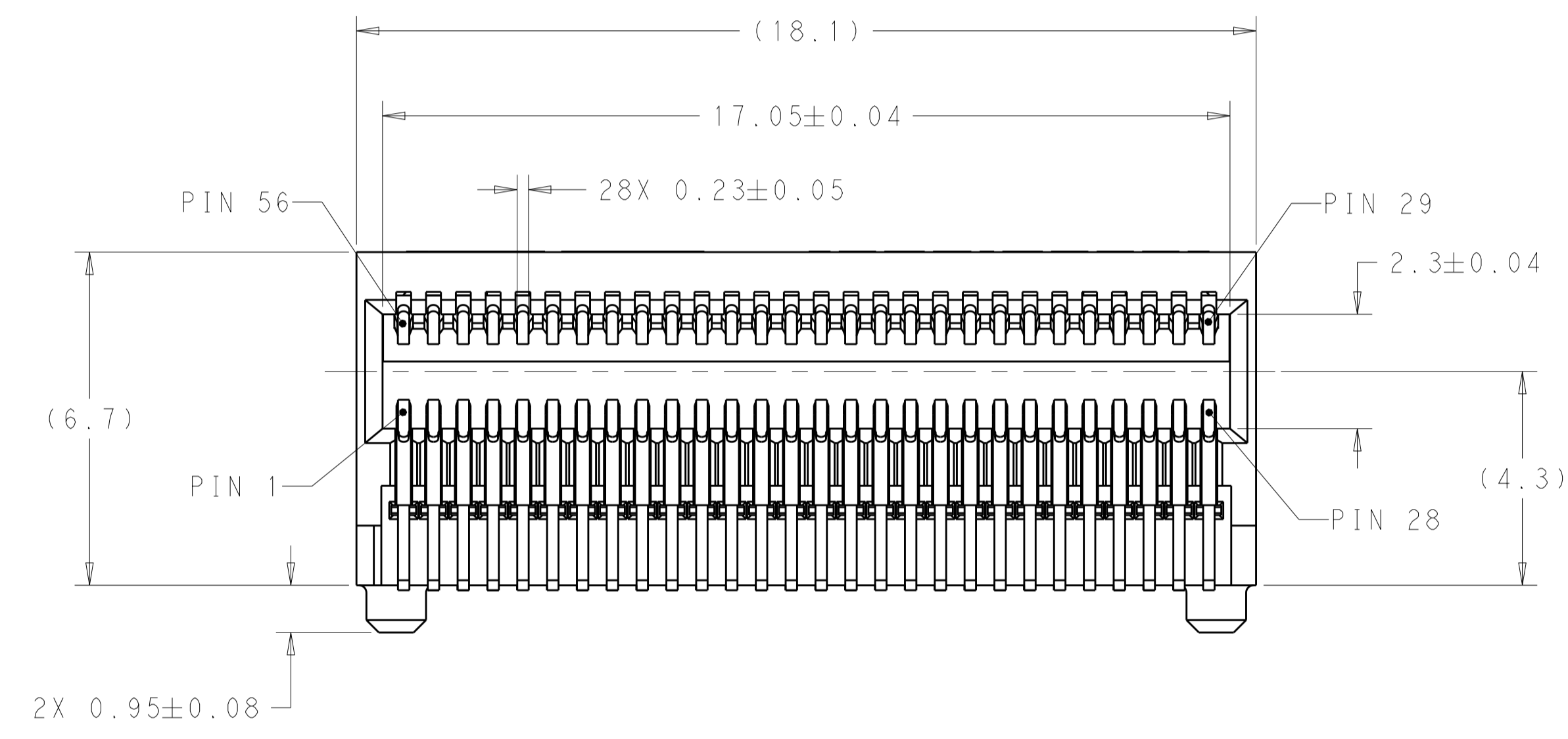


REVISIONS				
P.	LTN.	DESCRIPTION	DATE	APVD.
A		RELEASED PER ECO-18-005803	26APR2018	MS JW



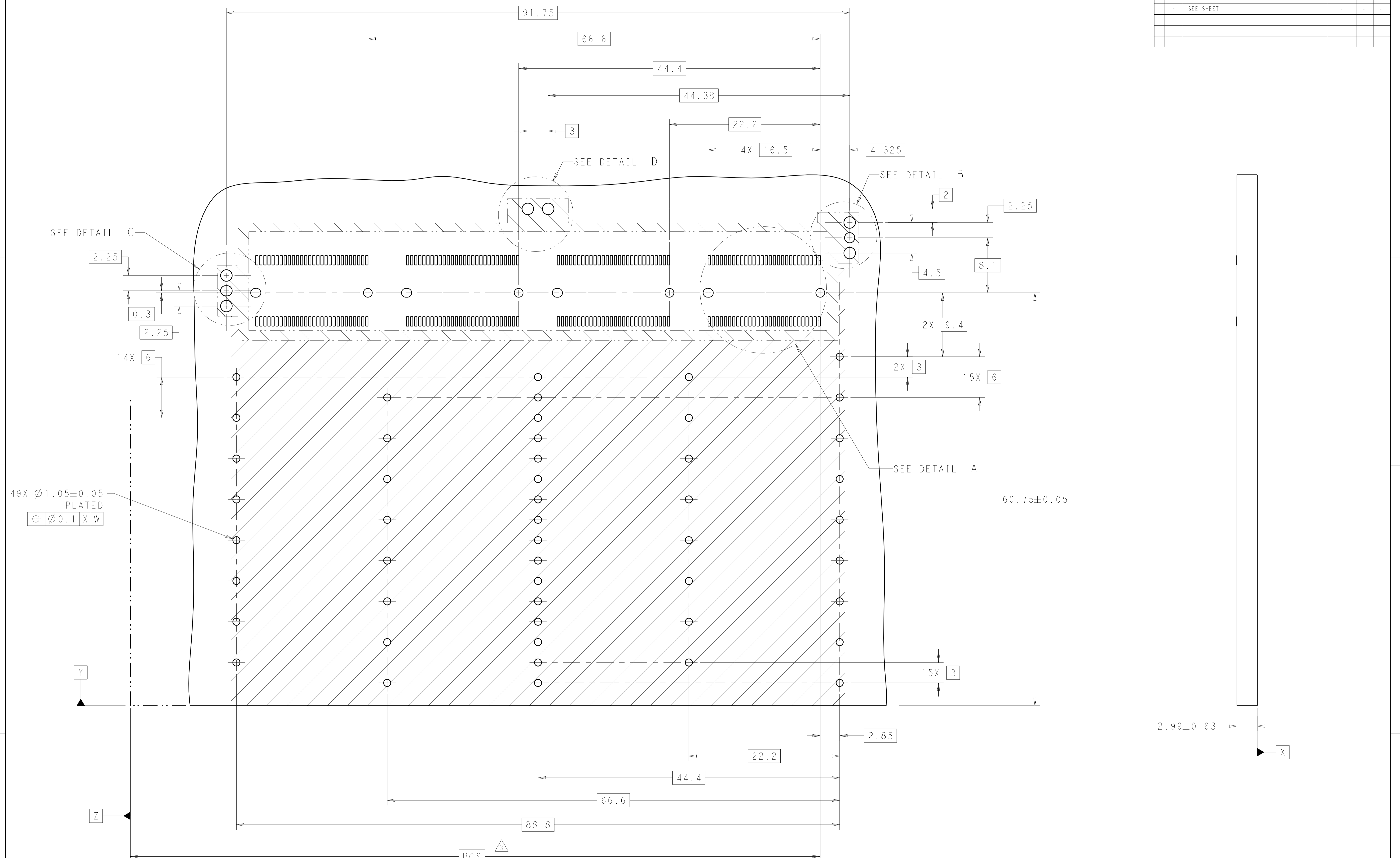
- △ MATERIALS:
 HOUSING- POLYESTER LCP, UL 94V-0
 SIGNAL CONTACT- COPPER ALLOY.
 GROUND CONTACT- COPPER ALLOY.
- △ CONTACT FINISH: CONFORMS TO THE REQUIREMENTS OF TE PRODUCT SPECIFICATION 108-32103, BASED ON EIA/ECA-364-1000.01A, (CONTROLLED ENVIRONMENT APPLICATIONS) ON MATING INTERFACE, GOLD FLASH ON SOLDER TAIL.
- △ DATUM AND BASIC DIMENSION ESTABLISHED BY CUSTOMER.
- △ PART NUMBER AND DATE CODE MARKED IN APPROXIMATE AREA SHOWN.
- △ MANUFACTURER'S LOGO APPROXIMATELY AS SHOWN.



2288229-1
 PART NUMBER

THIS DRAWING IS A CONTROLLED DOCUMENT.		DWN: B. MATTHEWS 01MAY2015	TE Connectivity NAME: CONNECTOR ASSEMBLY, RECEPTACLE, CFP4 PRODUCT SPEC: 108-32103 APPLICATION SPEC: 114-32146	SIZE: A	CAGE CODE: 00779	DRAWING NO: C=2288229	RESTRICTED TO: -
DIMENSIONS: mm		CHK: M. SCHMITT 01MAY2015		APVD: M. SCHMITT 01MAY2015	SCALE: 10:1		SHEET: 1 OF 4
TOLERANCES UNLESS OTHERWISE SPECIFIED: 0 PLC ± 1 PLC ±0.1 2 PLC ± 3 PLC ± 4 PLC ± ANGLES ±		MATERIAL: -		WEIGHT: -		CUSTOMER DRAWING	

REVISIONS				
P.	LTN.	DESCRIPTION	DATE	APVD.
-	-	SEE SHEET 1	-	-

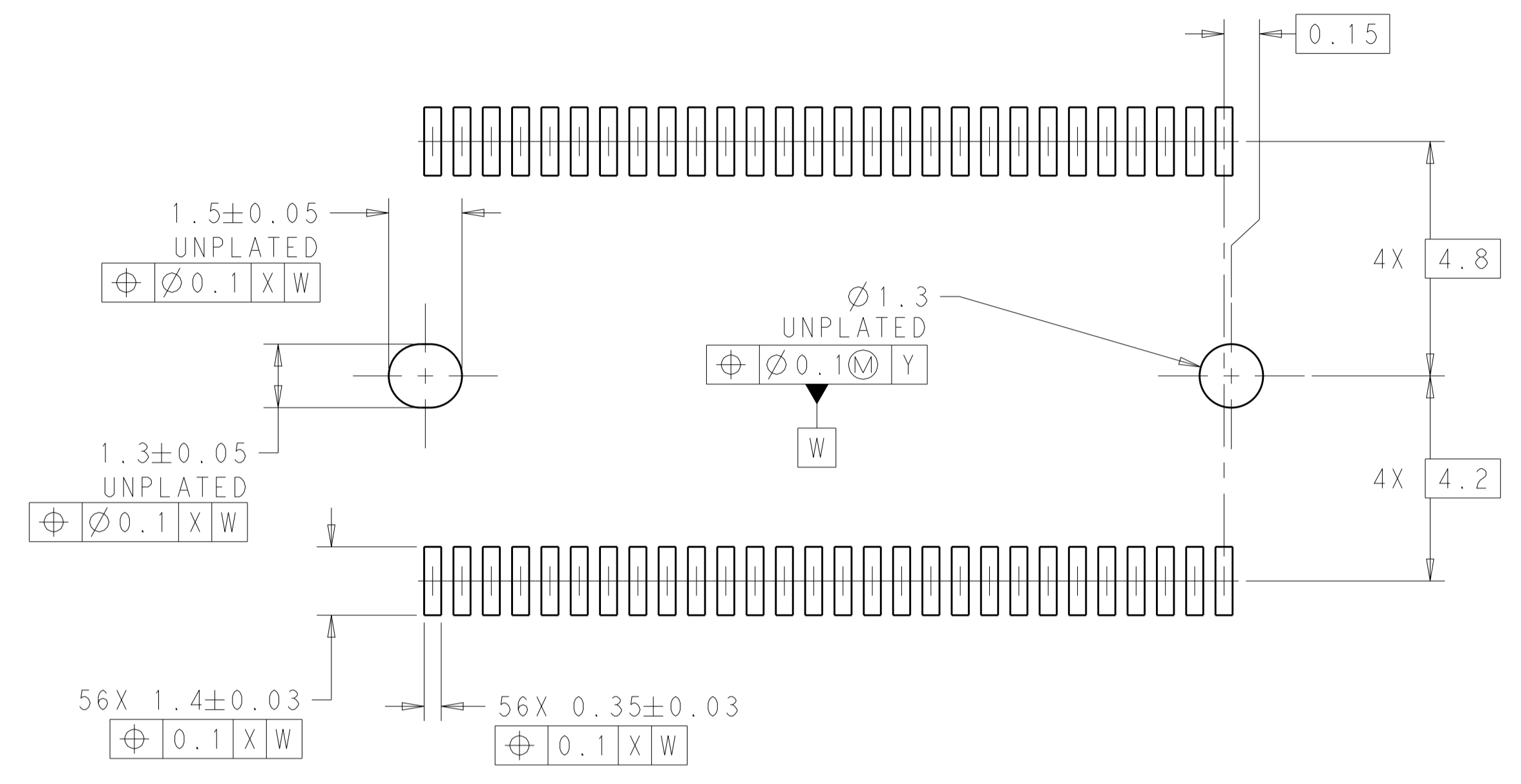


49X $\varnothing 1.05 \pm 0.05$
 PLATED
 $\varnothing 0.1$ X W

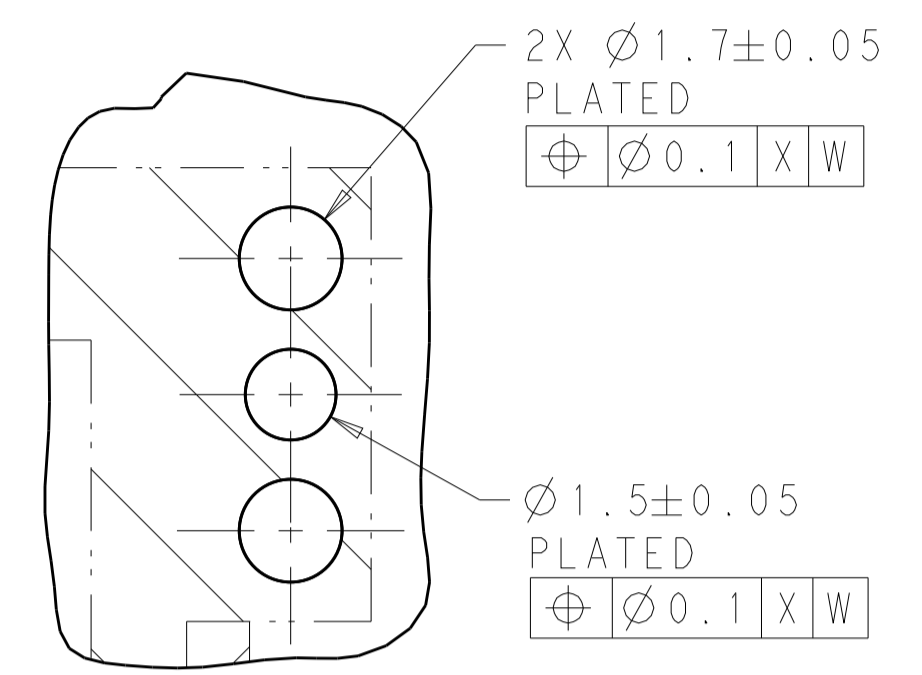
RECOMMENDED PCB LAYOUT
 SCALE 4:1
 SINGLE SIDED APPLICATION
 1X1 CONFIGURATION SHOWN

THIS DRAWING IS A CONTROLLED DOCUMENT.		DWN: B. MATTHEWS 01MAY2015	TE Connectivity
DIMENSIONS: mm		CHK: M. SCHMITT 01MAY2015	
TOLERANCES UNLESS OTHERWISE SPECIFIED:		APVD: M. SCHMITT 01MAY2015	NAME: CONNECTOR ASSEMBLY, RECEPTACLE, CFP4
0 PLC	±	PRODUCT SPEC	SIZE: A1
1 PLC	±0.1	108-32103	CAGE CODE: 2288229
2 PLC	±	APPLICATION SPEC	RESTRICTED TO:
3 PLC	±	114-32146	SCALE: 10:1
4 PLC	±	WEIGHT: -	SHEET: 2 OF 4
ANGLES	±	CUSTOMER DRAWING	REV: A

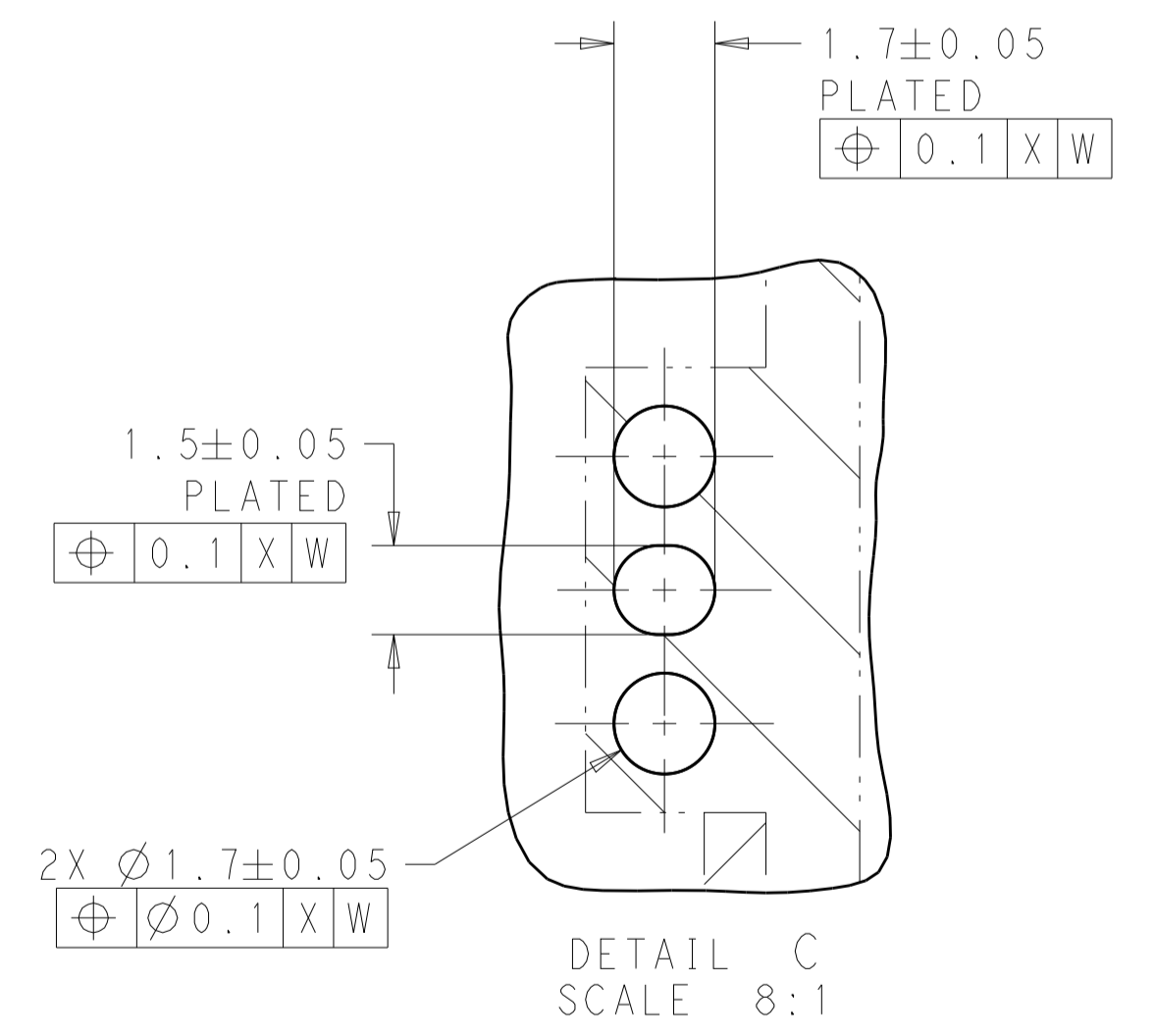
REVISIONS				
P.	LTN	DESCRIPTION	DATE	APVD
-	-	SEE SHEET 1	-	-



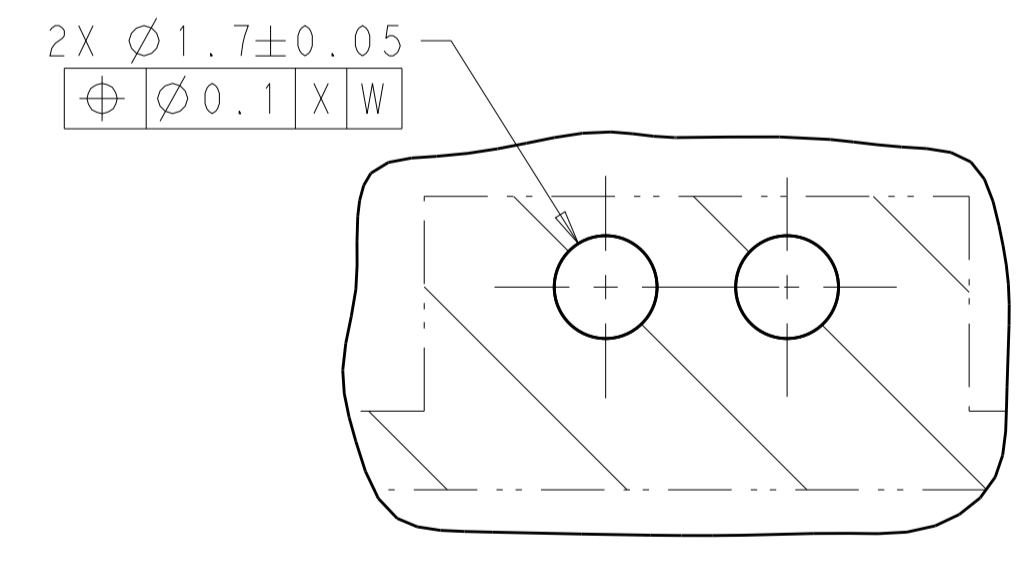
DETAIL A
 4X INDIVIDUALLY
 SCALE 10:1



DETAIL B
 SCALE 8:1



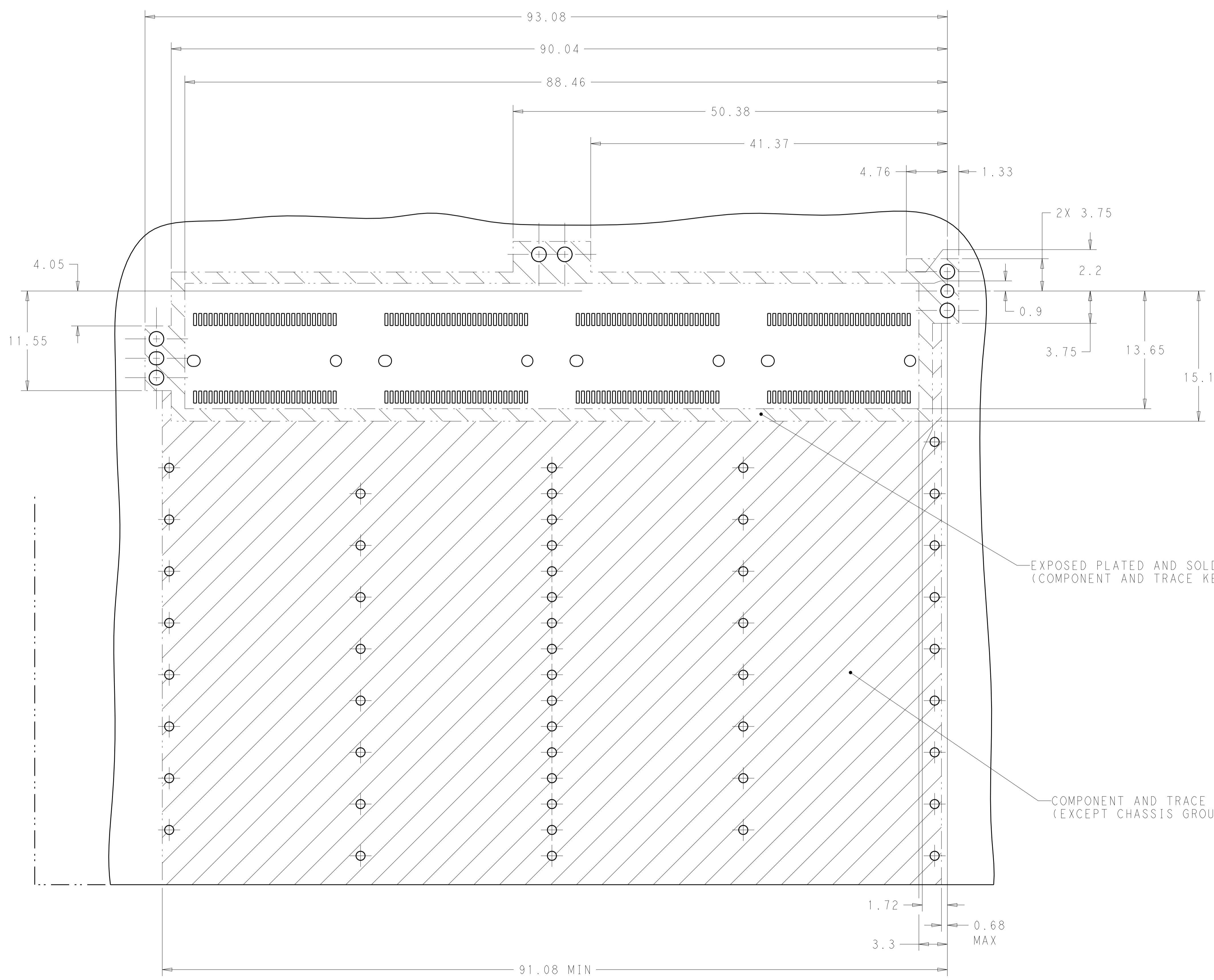
DETAIL C
 SCALE 8:1



DETAIL D
 SCALE 8:1

THIS DRAWING IS A CONTROLLED DOCUMENT.		DWN B. MATTHEWS 01MAY2015 CHK M. SCHMITT 01MAY2015 APVD M. SCHMITT 01MAY2015	TE Connectivity
DIMENSIONS: mm 	TOLERANCES UNLESS OTHERWISE SPECIFIED: 0 PLC ± 1 PLC ±0.1 2 PLC ± 3 PLC ± 4 PLC ± ANGLES ± FINISH ±	NAME CONNECTOR ASSEMBLY, RECEPTACLE, CFP4 PRODUCT SPEC 108-32103 APPLICATION SPEC 114-32146 WEIGHT - CUSTOMER DRAWING	

REVISIONS				
P.	LTN	DESCRIPTION	DATE	APVD
-	-	SEE SHEET 1	-	-



EXPOSED PLATED AND SOLDERMASK PULLED BACK
(COMPONENT AND TRACE KEEP-OUT AREA)

COMPONENT AND TRACE KEEP-OUT AREA
(EXCEPT CHASSIS GROUND)

SCALE 4:1

THIS DRAWING IS A CONTROLLED DOCUMENT.		DWN B. MATTHEWS 01MAY2015 CHK M. SCHMITT 01MAY2015 APVD M. SCHMITT 01MAY2015	TE Connectivity
DIMENSIONS: mm 	TOLERANCES UNLESS OTHERWISE SPECIFIED: 0 PLC ± 1 PLC ±0.1 2 PLC ± 3 PLC ± 4 PLC ± ANGLES ±	NAME 108-32103 APPLICATION SPEC 114-32146 WEIGHT CUSTOMER DRAWING	
MATERIAL		FINISH	SIZE CAGE CODE DRAWING NO A100779C=2288229 SCALE 10:1 SHEET 4 OF 4 REV A

Mouser Electronics

Authorized Distributor

Click to View Pricing, Inventory, Delivery & Lifecycle Information:

[TE Connectivity:](#)

[2288229-1](#)