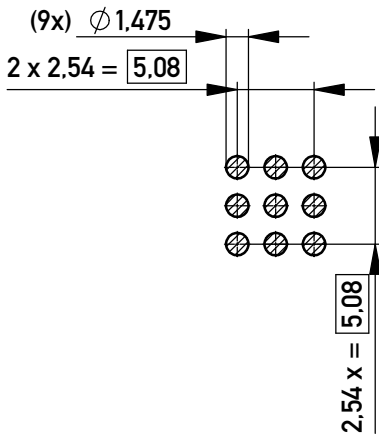
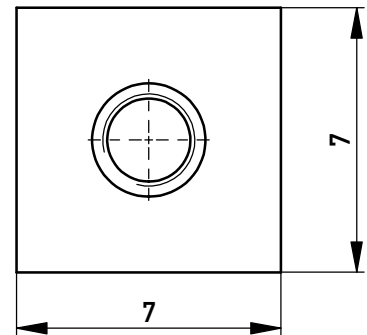
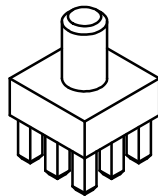


Layout - Vorschlag
PCB - Layout proposal
M / scale 2:1



M / scale 2:1



2-6µm Sn matt über 1-3µm Cu /
2-6µm sn matt over 1-3µm cu

(A) Oberfläche / plating

Copyright by ERNI Production GmbH & Co. KG
Proprietary notice pursuant to ISO 16016 to be observed.

Information:		Tolerances	 All Dimensions in mm	Scale	5:1
All rights reserved. Only for Information. To ensure that this is the latest version of this drawing, please contact one of the ERNI companies before using.		Subject to modification without prior notice. Drawing will not be updated.		Material:	CuZn39Pb3
		 www.ERNI.com		Designation PowerElement male thread <i>M3 full population</i>	
b	17.06.2019			225675	
Index	Date				
				Class	POWELM

Mouser Electronics

Authorized Distributor

Click to View Pricing, Inventory, Delivery & Lifecycle Information:

[ERNI Electronics:](#)

[225675](#)