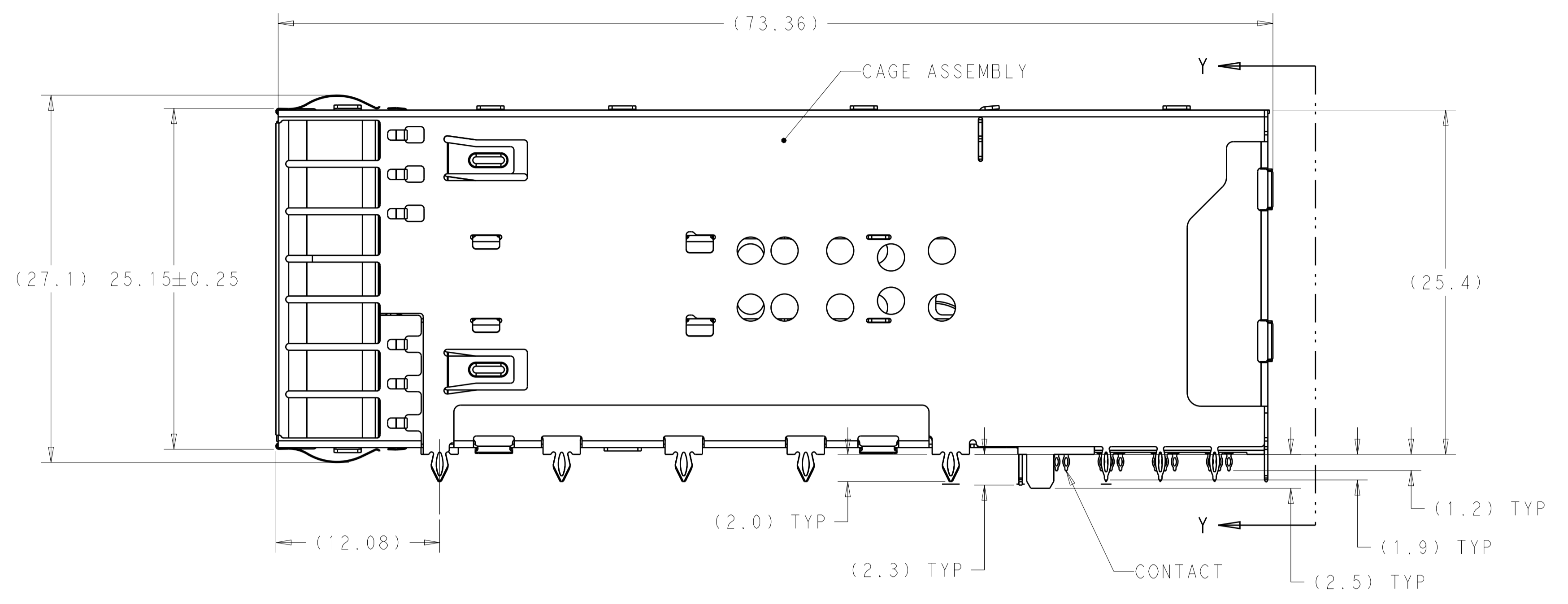
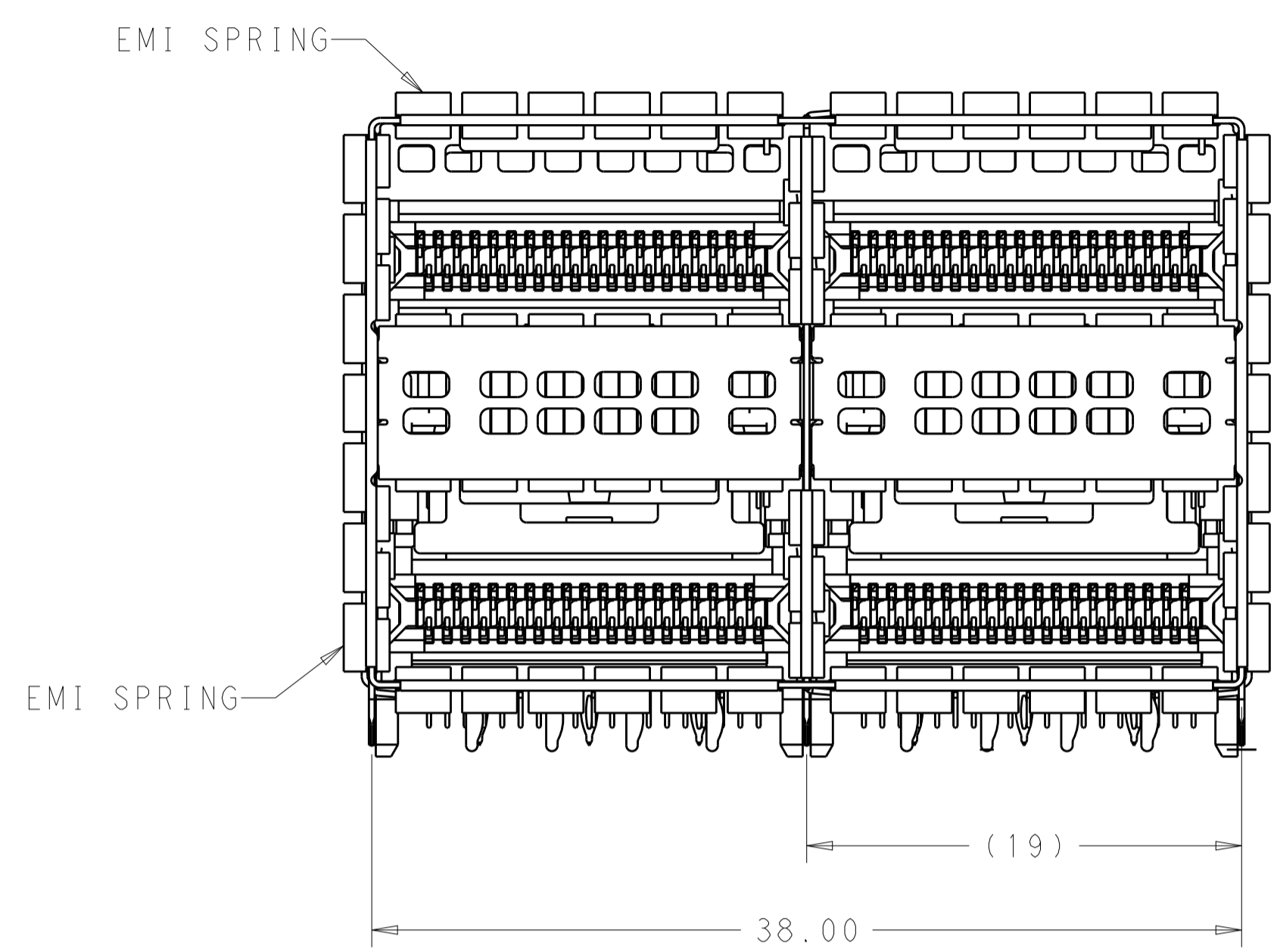
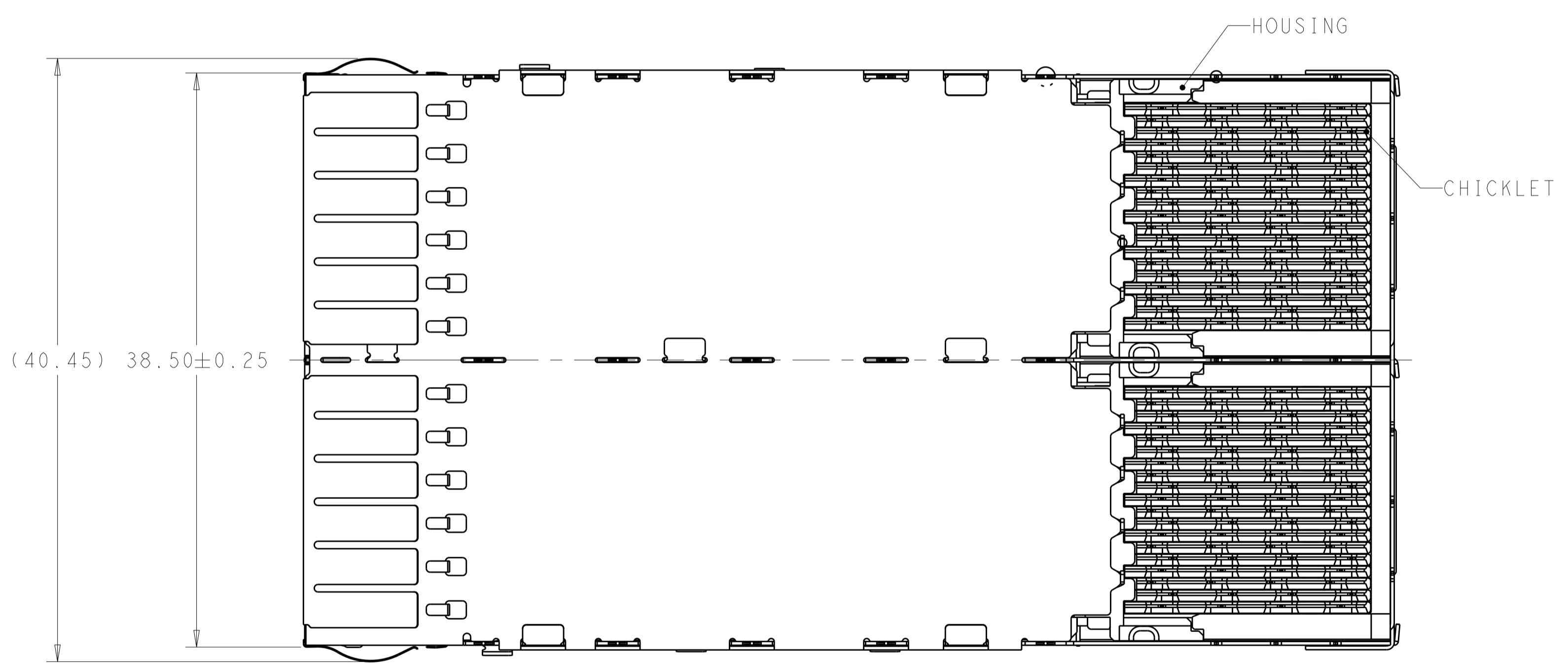


LOC	DIST	REVISIONS			
P	LTH	DESCRIPTION	DATE	DWN	APVD
A		RELEASED FOR PRODUCTION	03MAR2016	TX	SH
A1		ADDED NEW DASH NUMBER 2227670 -7	15JUL2016	TX	SH
B		REVISED PER ECO-16-014569	18OCT2016	TX	SH



2227670-1/4 AS SHOWN



- MATERIALS:
 CAGE ASSEMBLY- NICKEL SILVER ALLOY PER ASTM B 122.
 EMI SPRING- COPPER ALLOY, NICKEL PLATED.
 HOUSING- POLYESTER LCP WITH 94V-0.
 CHICKLET- POLYESTER LCP WITH 94V-0.
 CONTACT- COPPER ALLOY.
 LIGHTPIPE- POLYCARBONATE WITH 94V-0.
- CONTACT FINISH: 0.76µm GOLD ON MATING END, 1.25µm MATT TIN ON SOLDER TAIL, ALL OVER 1.27µm NICKEL.
- DATUM AND BASIC DIMENSION ESTABLISHED BY CUSTOMER.
- MINIMUM PCB THICKNESS OF 1.57.
- THE ENTIRE AREA OF THE CONNECTOR FOOTPRINT, INDICATED BY THE DASHED LINE, TO BE CONSIDERED THE KEEPOUT AREA FOR COMPONENTS AND TRACES.
- CROSS-HATCHED AREAS REPRESENT ZONES ON THE PCB THAT COME IN CONTACT WITH OR BE IN CLOSE PROXIMITY TO THE PLASTIC HOUSING OR THE CONNECTOR CAGE. INDICATED AREAS TO BE CONSIDERED TRACE FREE.
- PART NUMBER AND DATE CODE MADE IN APPROXIMATE AREA SHOWN.
- HATCHED AREA IS PLACEMENT ZONE FOR LED. LED SHOULD BE CENTERED WITHIN ZONE. RECOMMEND 0805 PACKAGE.
- CONTACT FINISH: 0.08µm MINIMUM GOLD OVER 0.68µm PALLADIUM-NICKEL ON MATING END, 1.25µm MATT TIN ON SOLDER TAIL, ALL OVER 1.27µm NICKEL.

CONTACT FINISH	DESCRIPTION	PART NUMBER
2	NO LIGHTPIPE	2227670-7
9	LEFT INDICATOR DOWN	2227670-6
9	LEFT INDICATOR UP	2227670-5
9	NO LIGHTPIPE	2227670-4
2	LEFT INDICATOR DOWN	2227670-3
2	LEFT INDICATOR UP	2227670-2
2	NO LIGHTPIPE	2227670-1

THIS DRAWING IS A CONTROLLED DOCUMENT.

DWN: M. SHIRK 18JAN2013
 CHK: D. SZCZESNY 18JAN2013

APVD: -

PRODUCT SPEC: 108-60102
 APPLICATION SPEC: 114-60015

WEIGHT: -

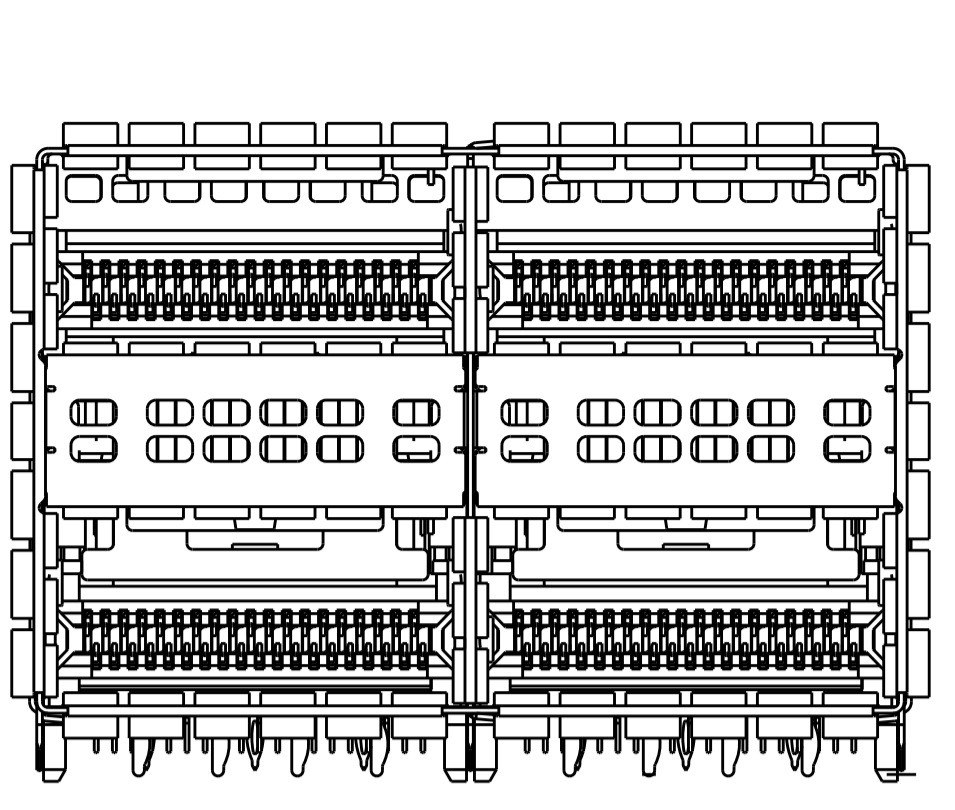
SCALE: 4:1 SHEET 1 OF 4 REV B

NAME: CAGE AND CONNECTOR ASSEMBLY, WITH EMI SPRING, THRU BEZEL, 2X2, ZQSFP+ STACKED

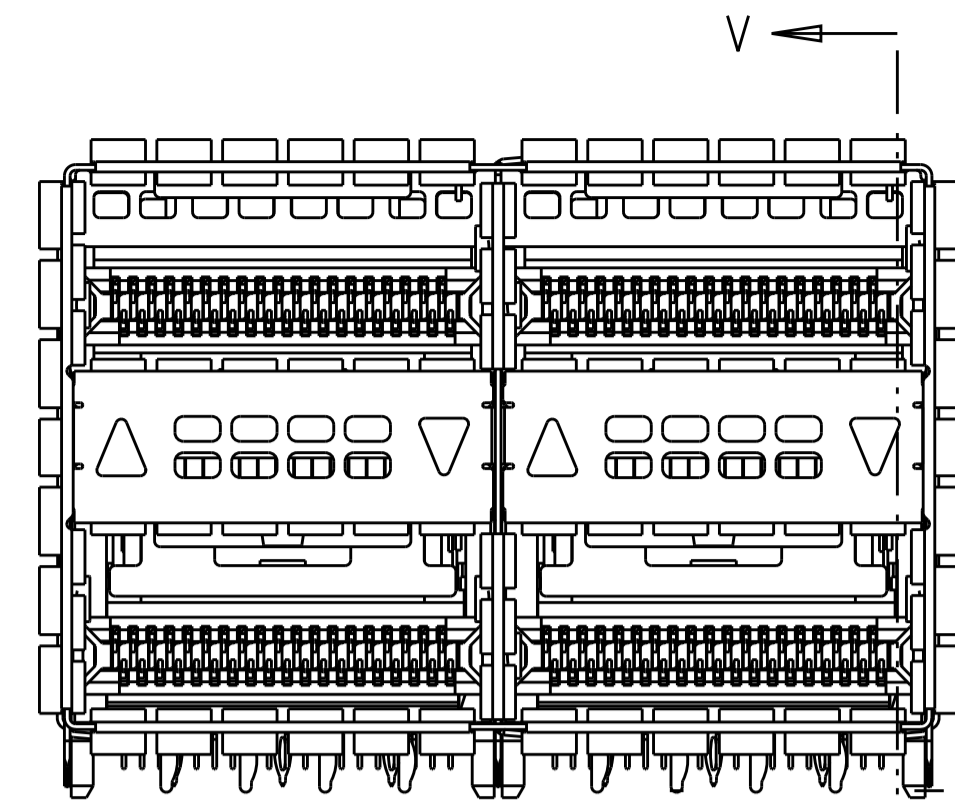
SIZE: A1 00779 C=2227670

CUSTOMER DRAWING

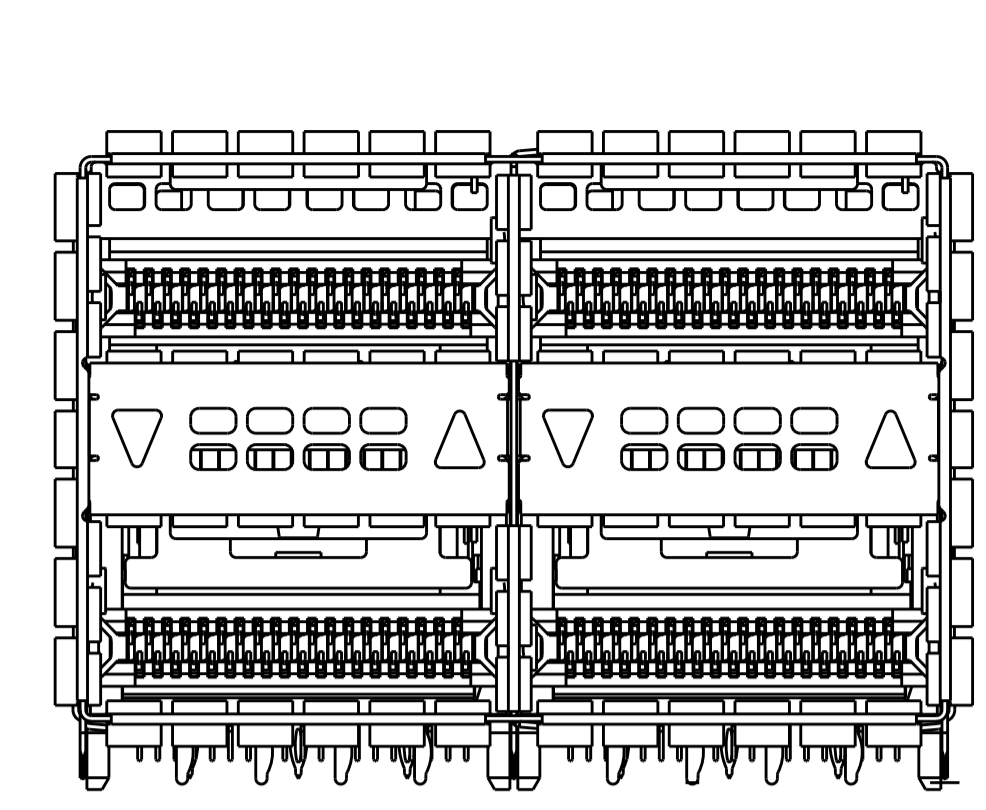
LOC		DIST		REVISIONS			
P	LTN	DESCRIPTION	DATE	DMN	APVD		
-	-	SEE SHEET 1	-	-	-		



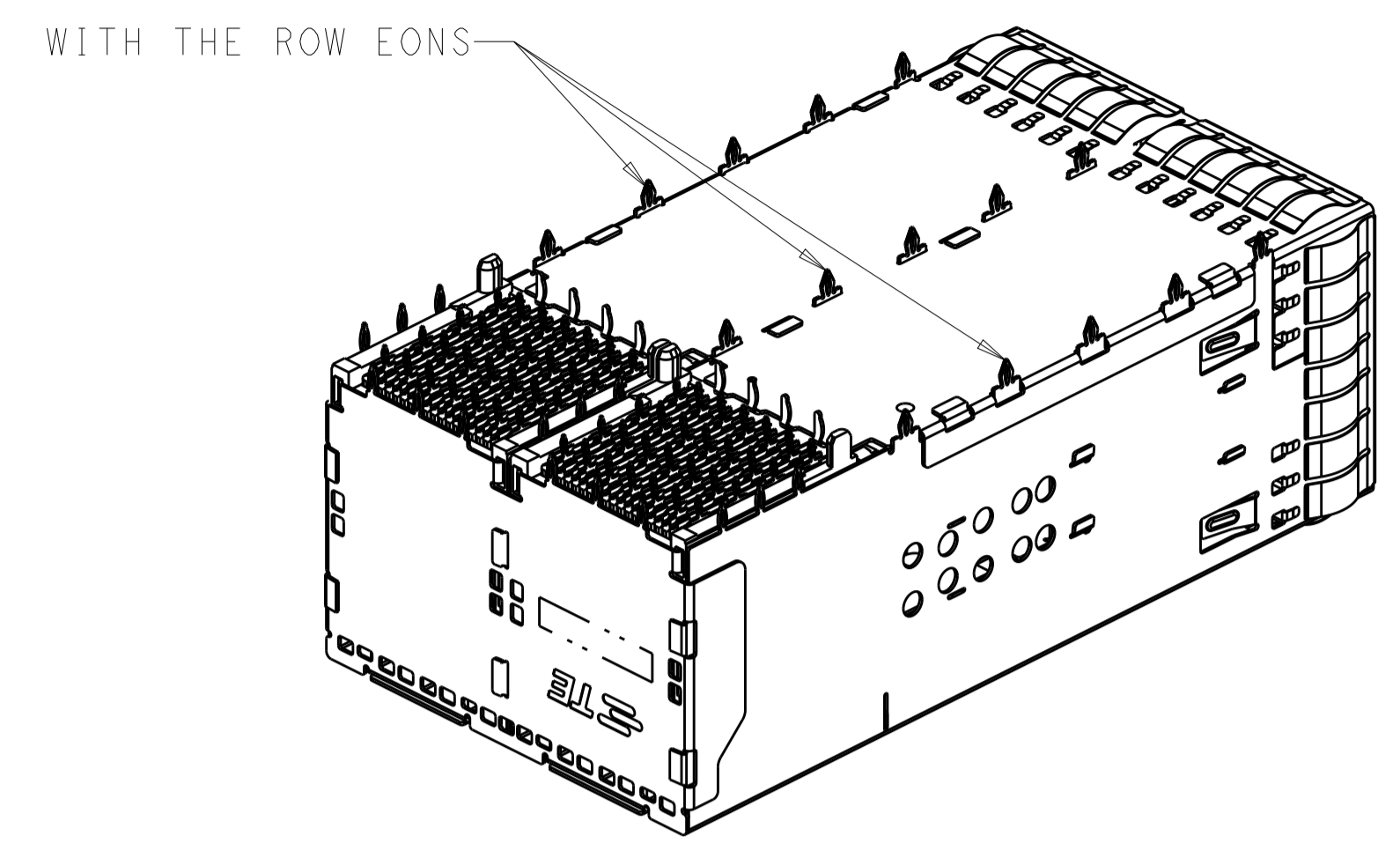
2227670-1, 2227670-4
 2227670-7
 NO LIGHTPIPE IN ASSEMBLY
 SCALE 3:1



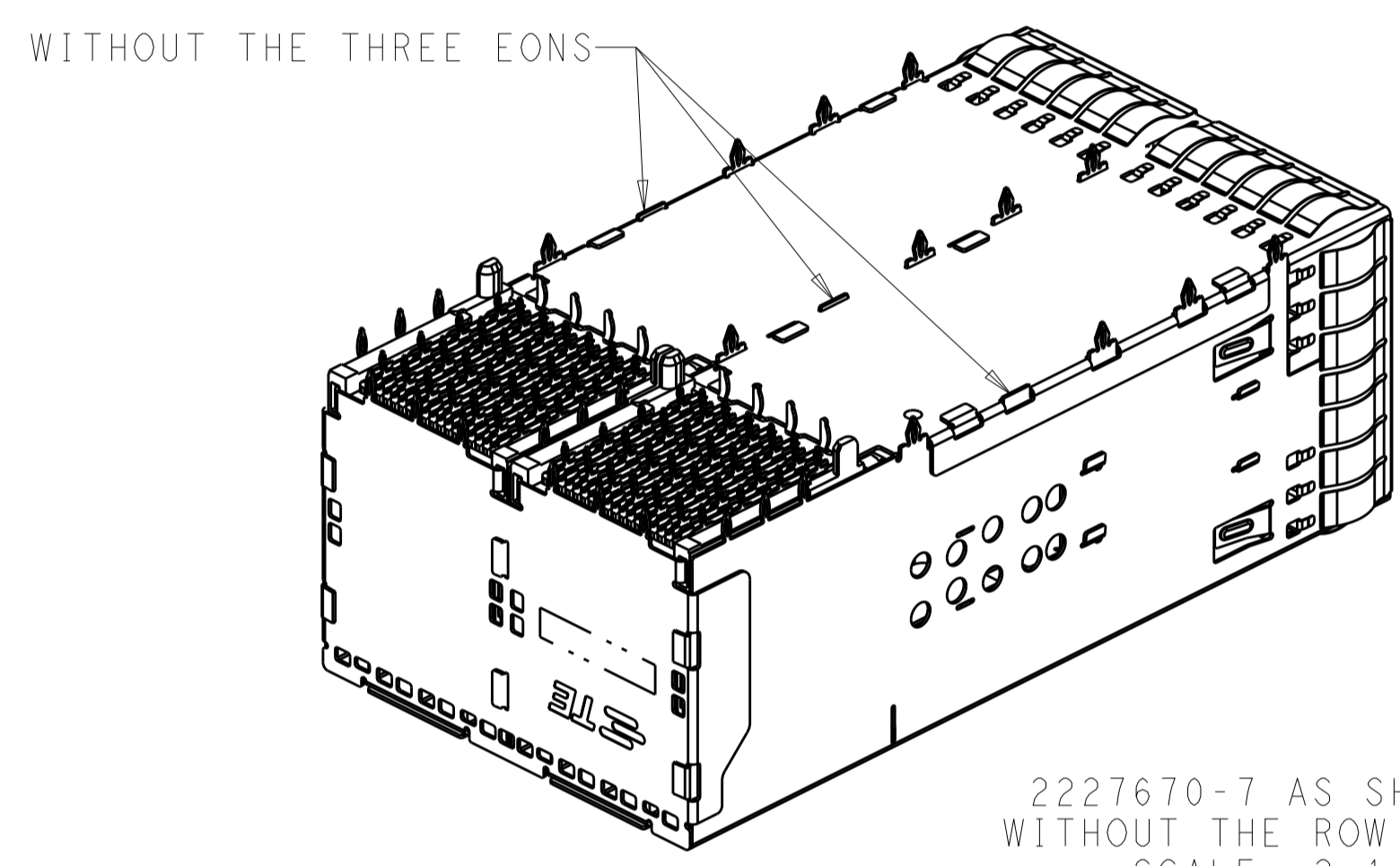
2227670-2 / 2227670-5
 LEFT LIGHTPIPE INDICATOR
 POINTING TO UPPER PORT
 SCALE 3:1



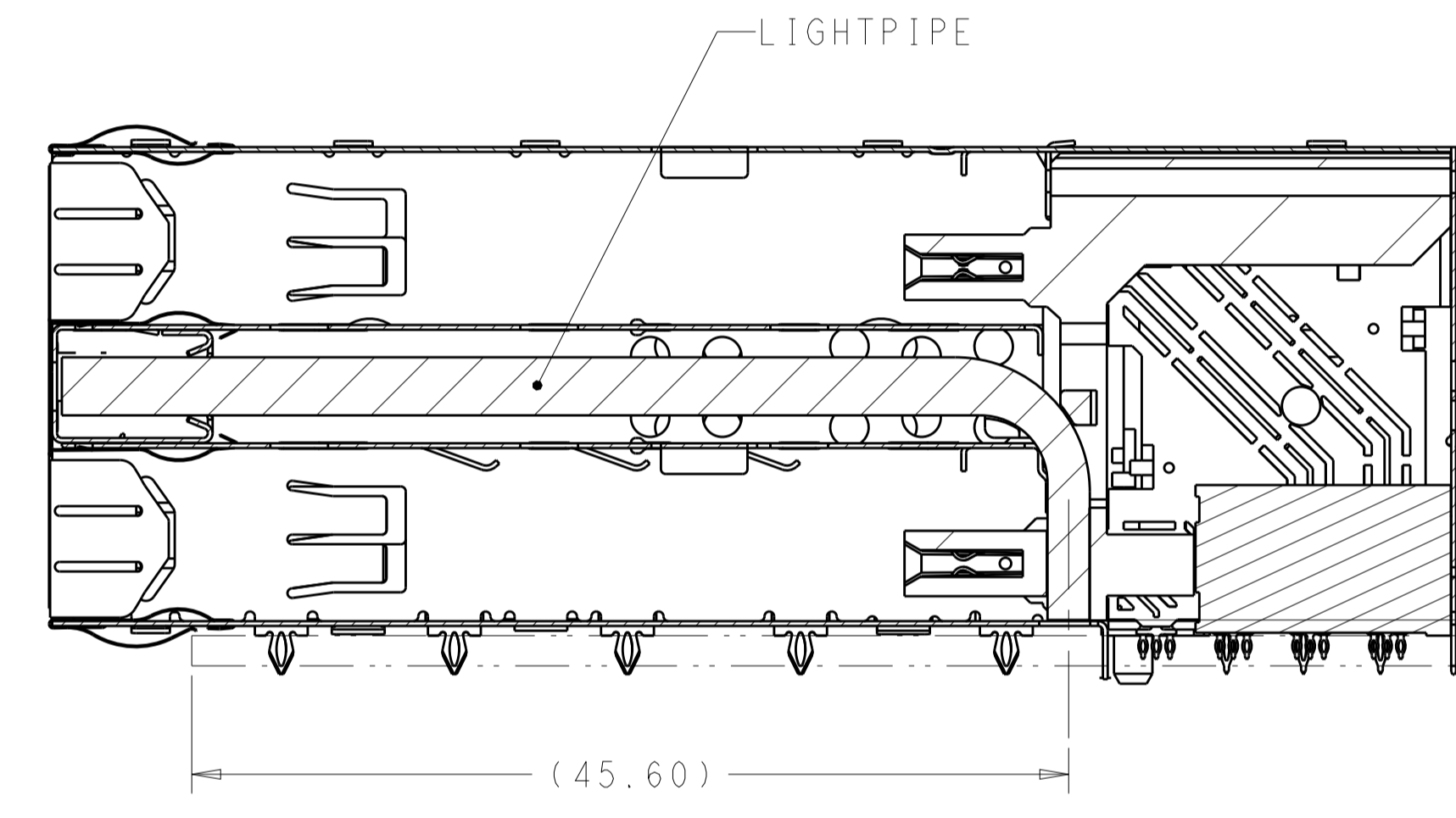
2227670-3 / 2227670-6
 LEFT LIGHTPIPE INDICATOR
 POINTING TO LOWER PORT
 SCALE 3:1



2227670-1 TO 2227670-6 AS SHOWN
 SCALE 2:1



2227670-7 AS SHOWN
 WITHOUT THE ROW EONS
 SCALE 2:1

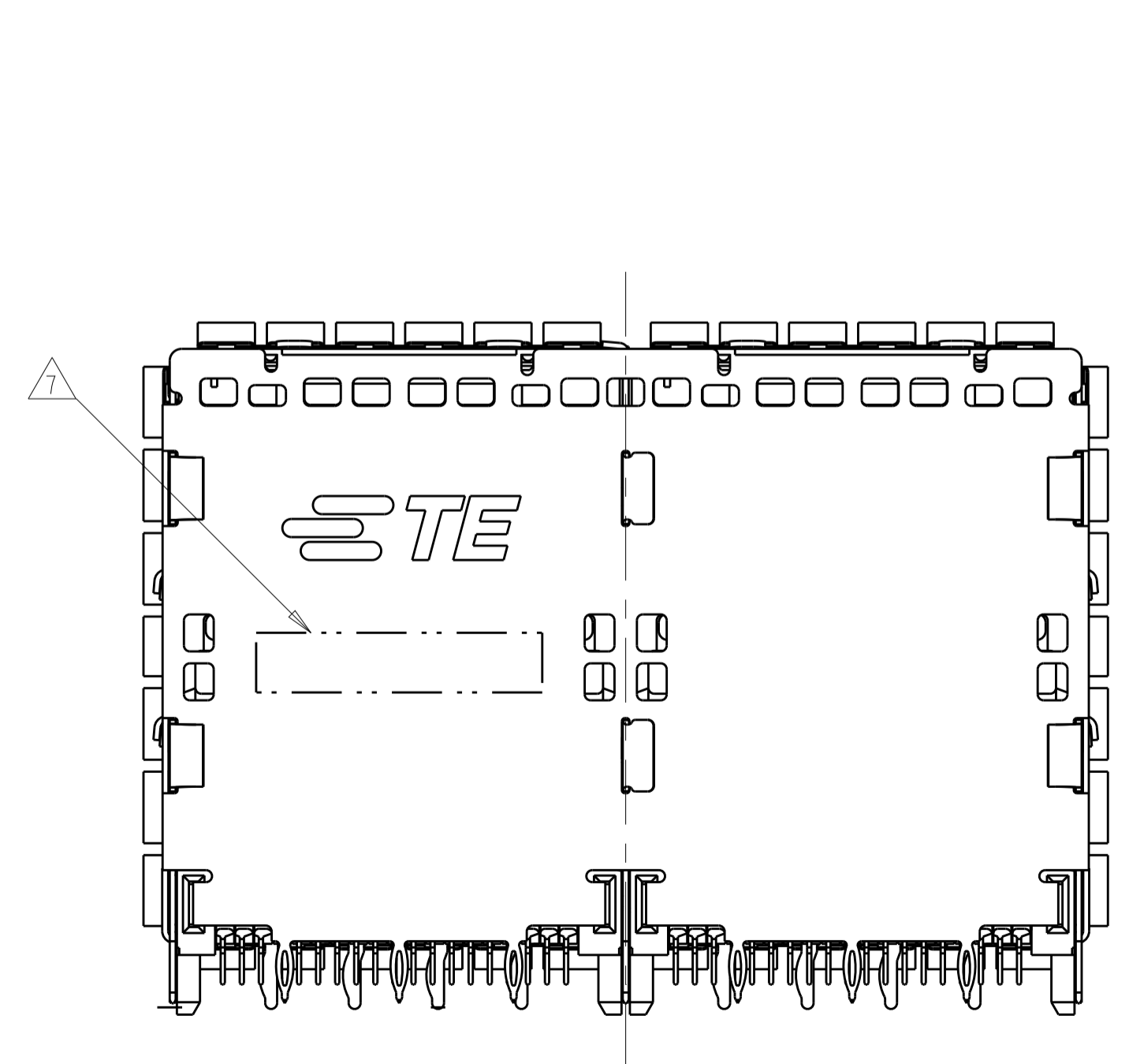


SECTION V-V
 SCALE 3:1

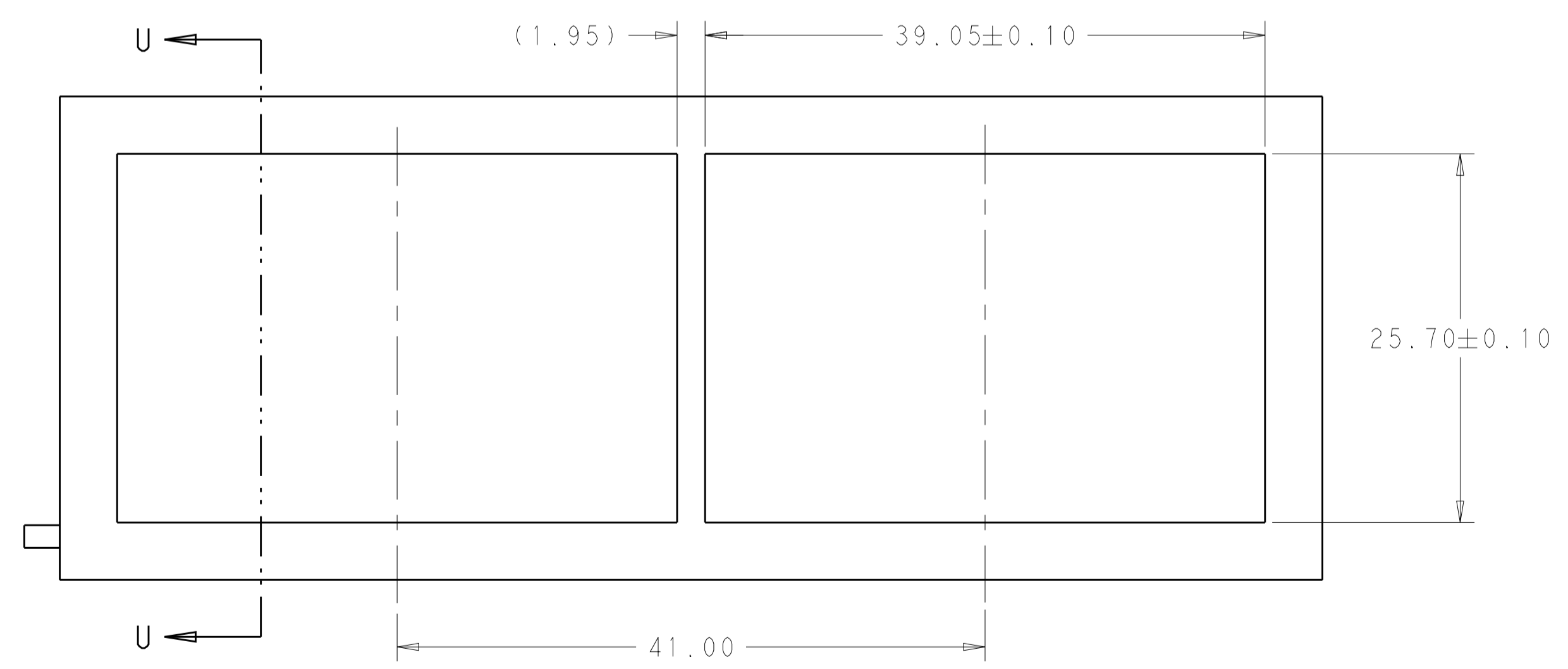
(0.81)
 RECOMMENDED 0805
 PACKAGE SMD CHIP
 LED LAMPS

1.57 MIN PCB

(45.60)



VIEW Y-Y



RECOMMENDED PANEL CUTOUT
 AND PC BOARD, PANEL POSITION
 SCALE 3:1

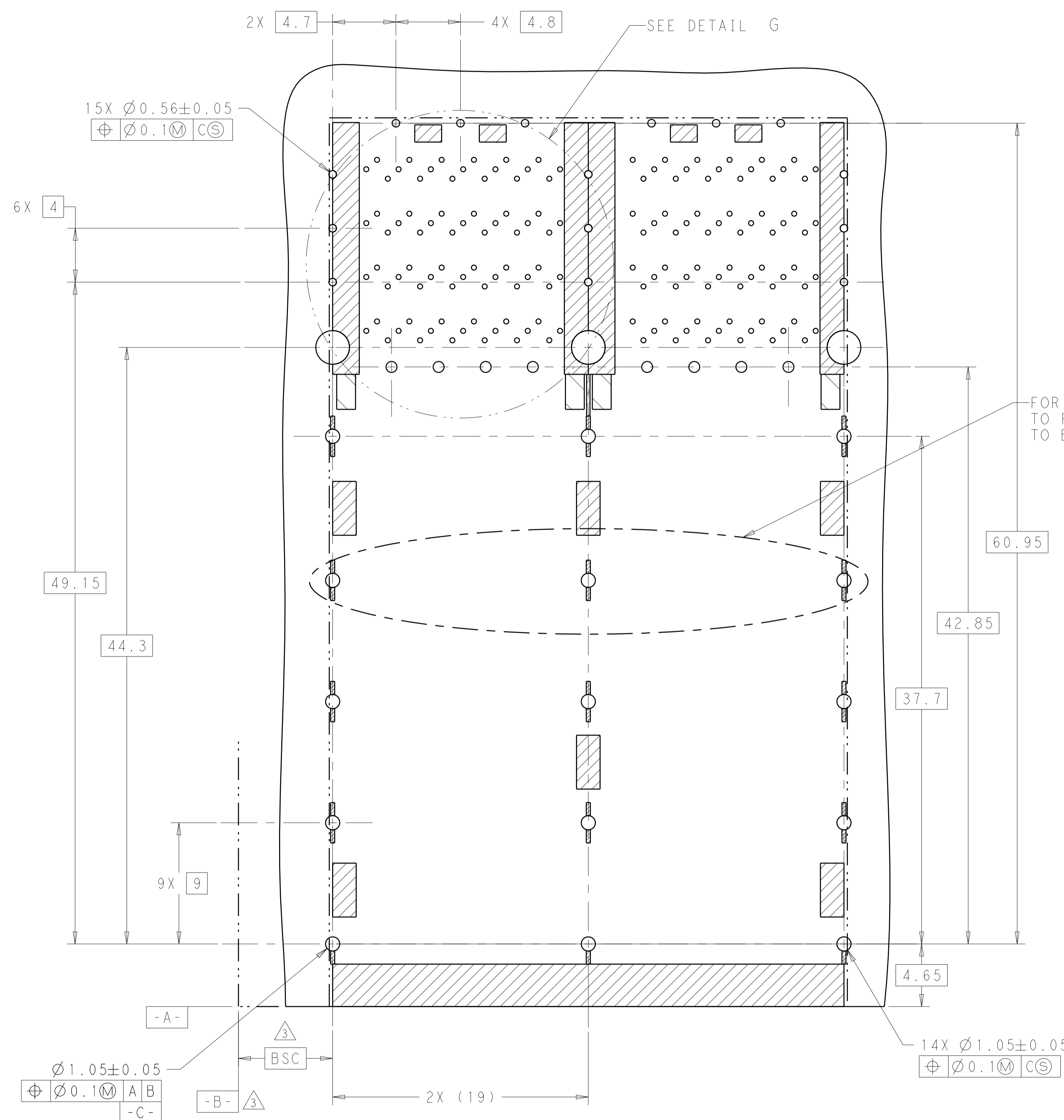
0.10±0.10
 BOTTOM OF CUTOUT
 IN PANEL TO TOP
 OF PC BOARD

3.95±0.13
 DISTANCE BETWEEN BACK
 OF PANEL AND FRONT OF
 PC BOARD

SECTION U-U

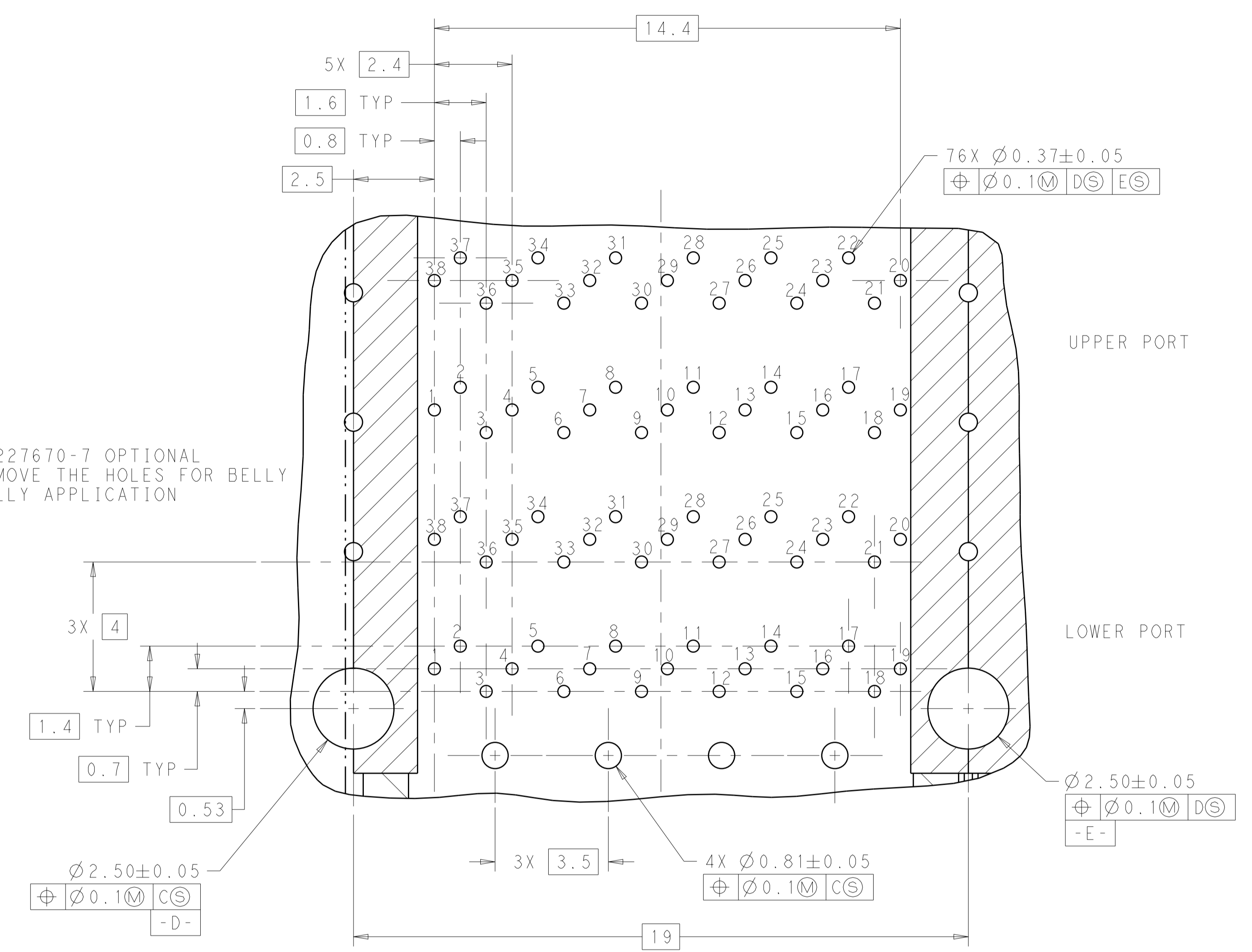
THIS DRAWING IS A CONTROLLED DOCUMENT.		DMN M. SHIRK 18JAN2013	TE Connectivity NAME CAGE AND CONNECTOR ASSEMBLY, WITH EMI SPRING, THRU BEZEL, 2X2, ZQSPF+ STACKED
DIMENSIONS:		CHK D. SZCZESNY 18JAN2013	
mm	TOLERANCES UNLESS OTHERWISE SPECIFIED:	APVD	PRODUCT SPEC
0 PLC	±		108-60102
1 PLC	±0.25		APPLICATION SPEC
2 PLC	±0.15		114-60015
3 PLC	±		WEIGHT
4 PLC	±		A100779C=2227670
ANGLES	±		CUSTOMER DRAWING
MATERIAL	FINISH		SCALE 4:1 SHEET 2 OF 4 REV B
SEE NOTE 1	SEE NOTE 2		

REVISONS		DATE	OWN	APVD
P. LTR	DESCRIPTION			
-	SEE SHEET 1	-	-	-



RECOMMENDED PC BOARD LAYOUT
 COMPONENT SIDE OF BOARD
 (PCB TOLERANCE ± 0.05)
 SCALE 5:1

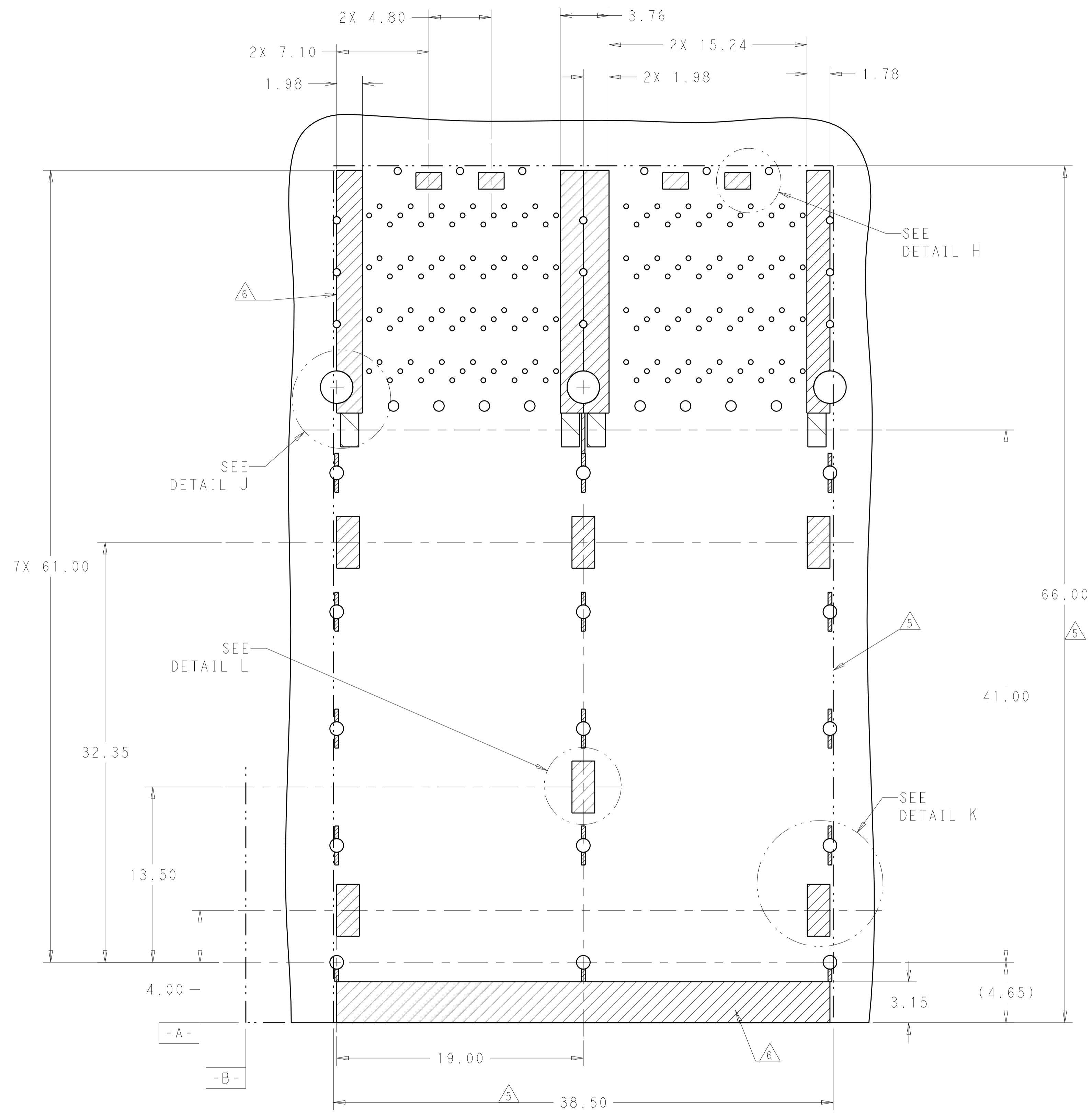
FOR 2227670-7 OPTIONAL
 TO REMOVE THE HOLES FOR BELLY
 TO BELLY APPLICATION



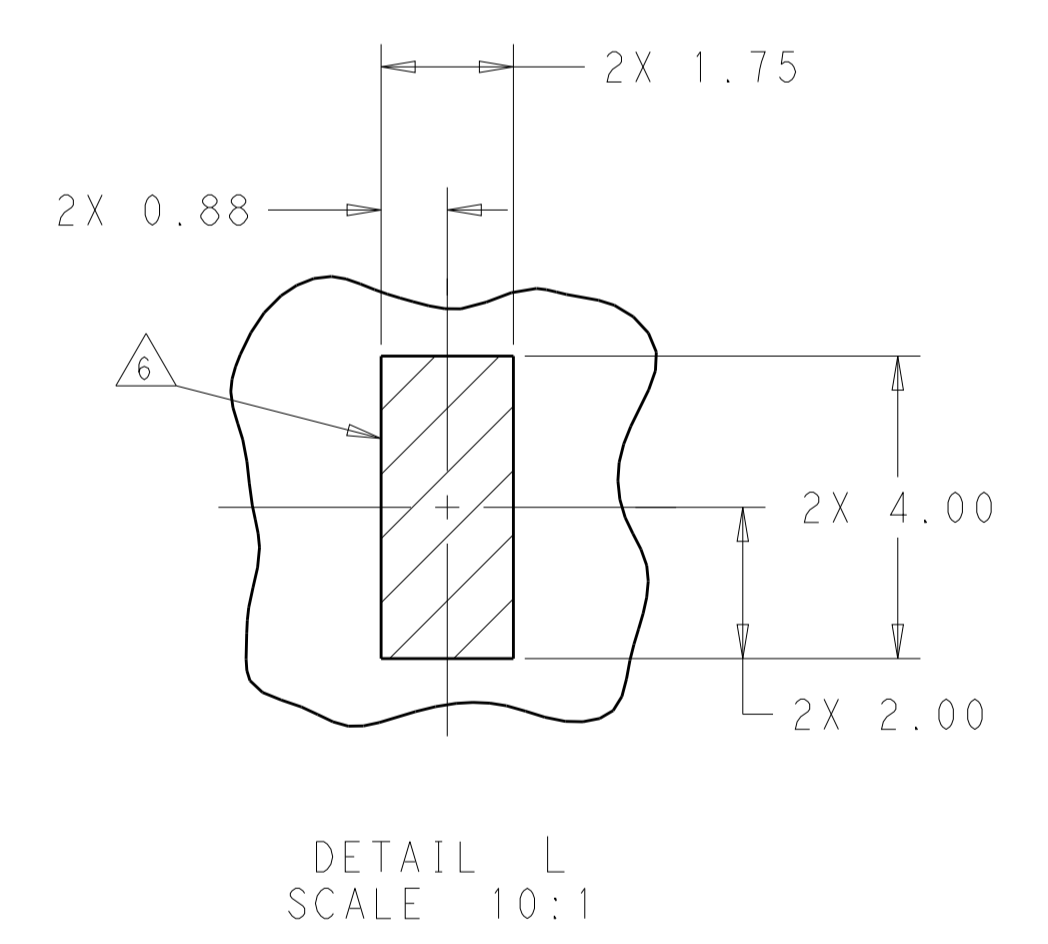
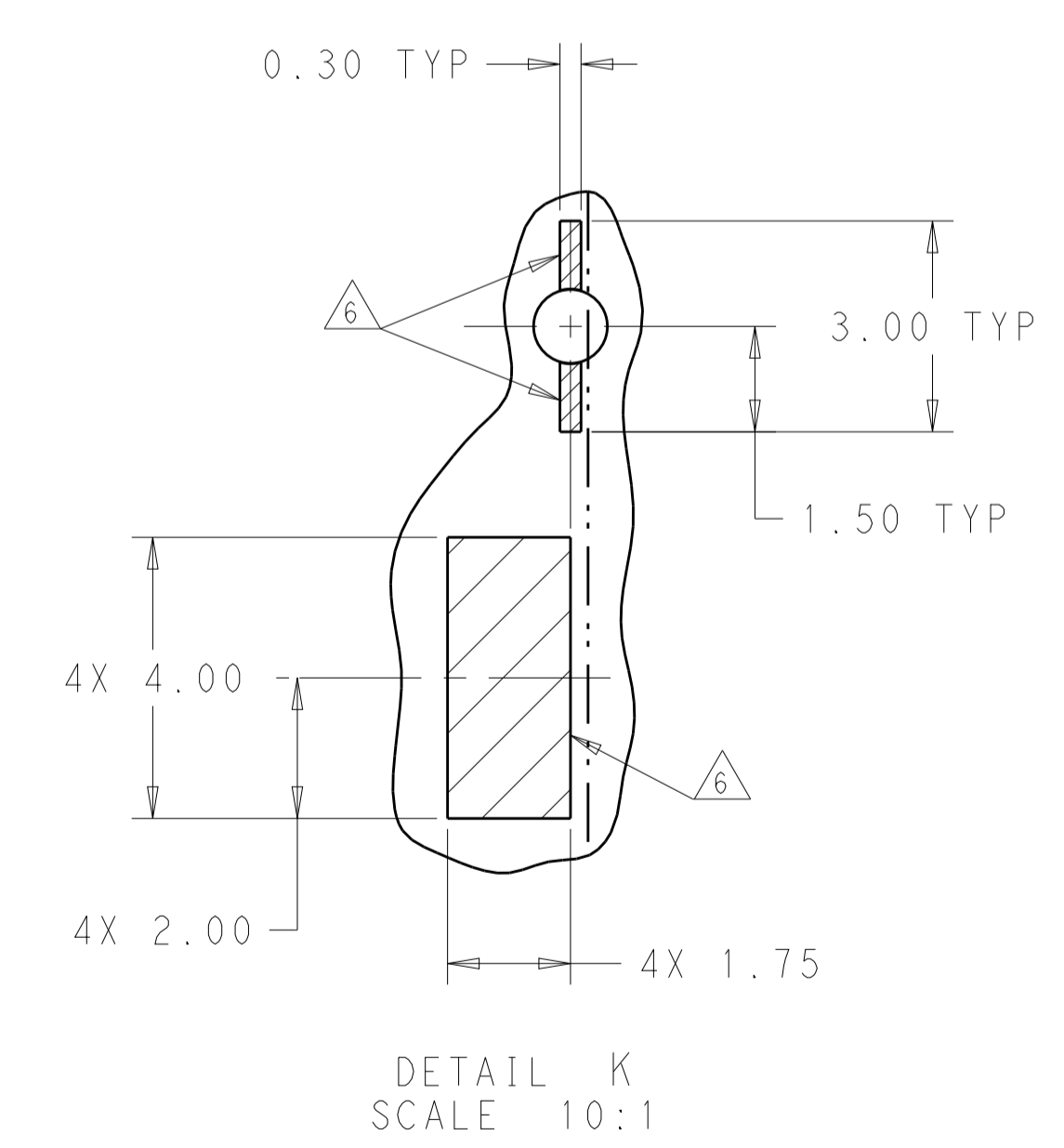
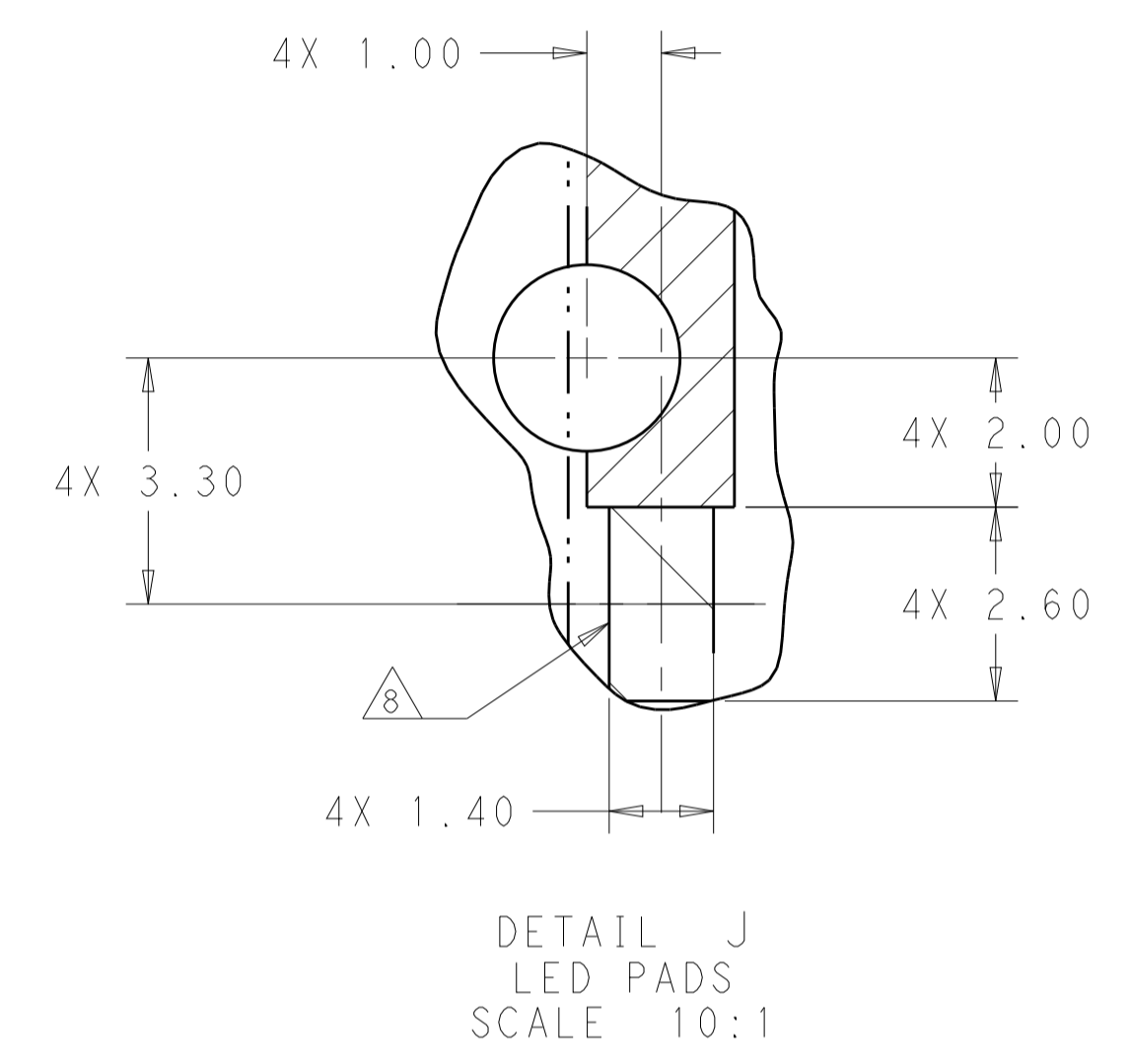
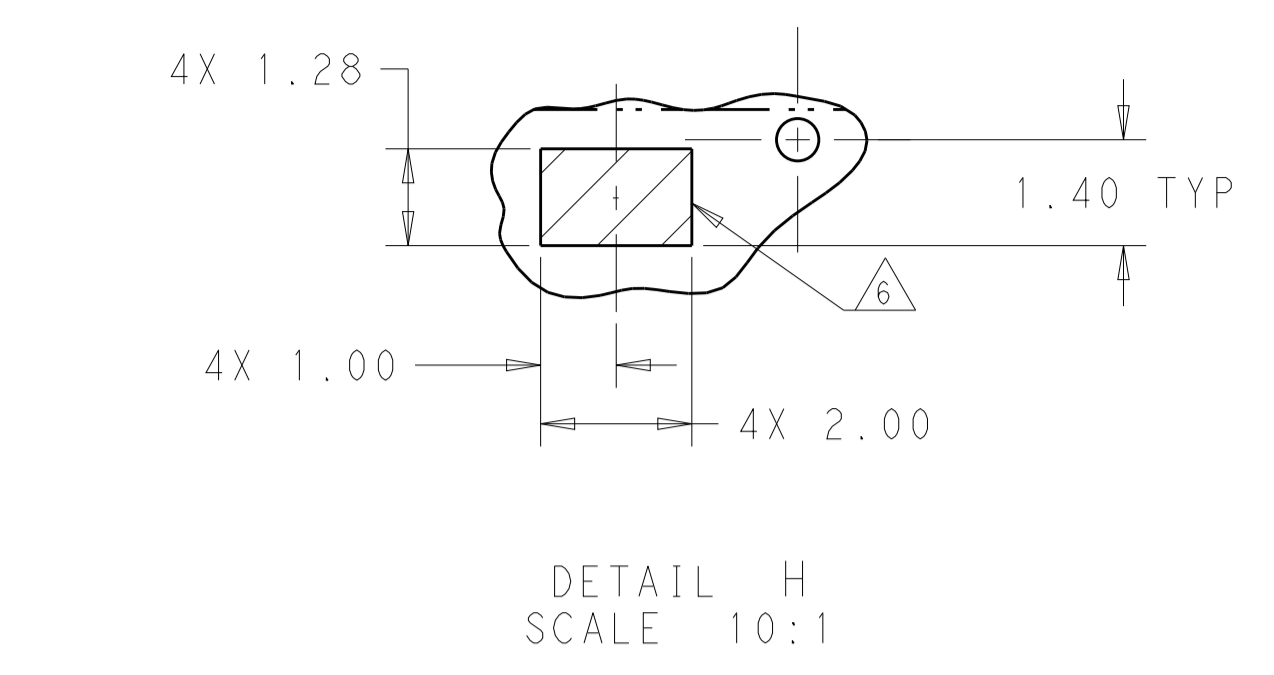
DETAIL G
 SCALE 10:1

THIS DRAWING IS A CONTROLLED DOCUMENT.		OWN: M. SHIRK 18JAN2013	TE Connectivity
DIMENSIONS: mm		CHK: D. SZCZESNY 18JAN2013	
TOLERANCES UNLESS OTHERWISE SPECIFIED:		APVD: -	NAME: CAGE AND CONNECTOR ASSEMBLY, WITH EMI SPRING, THRU BEZEL, 2X2, ZQSFP+ STACKED
0 PLC \pm	1 PLC ± 0.25	PRODUCT SPEC: 108-60102	SIZE: A1
2 PLC ± 0.15	3 PLC \pm	APPLICATION SPEC: 114-60015	CAGE CODE: 2227670
4 PLC \pm	ANGLES \pm	WEIGHT: -	RESTRICTED TO: -
MATERIAL: -	FINISH: -	CUSTOMER DRAWING	SCALE: 4:1 SHEET: 3 OF 4 REV: B

LOC		DIST		REVISIONS			
P.	LTN	DESCRIPTION	DATE	DWN	APVD		
-	-	SEE SHEET 1	-	-	-		



KEEPOUT AREAS
 COMPONENT SIDE OF BOARD
 (PCB TOLERANCE ±0.05)
 SCALE 5:1



THIS DRAWING IS A CONTROLLED DOCUMENT.		DWN M. SHIRK 18JAN2013	TE Connectivity	
DIMENSIONS:		CHK D. SZCZESNY 18JAN2013	NAME CAGE AND CONNECTOR ASSEMBLY, WITH EMI SPRING, THRU BEZEL, 2X2, ZQSFP+ STACKED	
mm	TOLERANCES UNLESS OTHERWISE SPECIFIED:	APVD	PRODUCT SPEC 108-60102	RESTRICTED TO
	0 PLC ±		APPLICATION SPEC	SIZE A100779
	2 PLC ±0.25		114-60015	CAGE CODE C=2227670
	3 PLC ±0.15		WEIGHT	SCALE 4:1
	4 PLC ±		FINISH	SHEET 4 OF 4
	ANGLES ±		SEE NOTE 1	REV B
MATERIAL	SEE NOTE 2	CUSTOMER DRAWING		

Mouser Electronics

Authorized Distributor

Click to View Pricing, Inventory, Delivery & Lifecycle Information:

[TE Connectivity:](#)

[2227670-7](#)