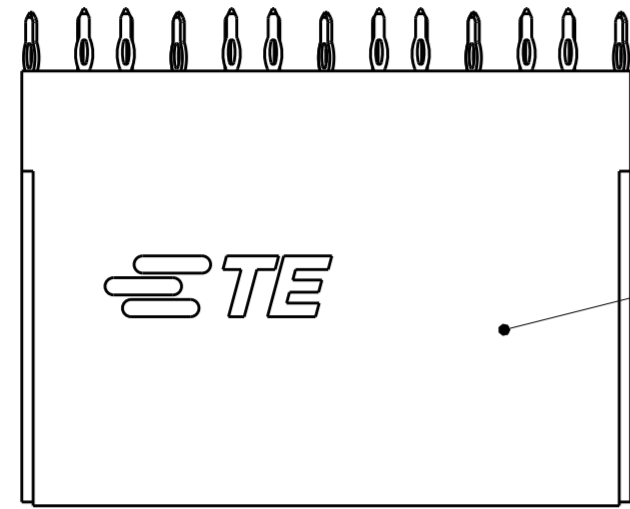
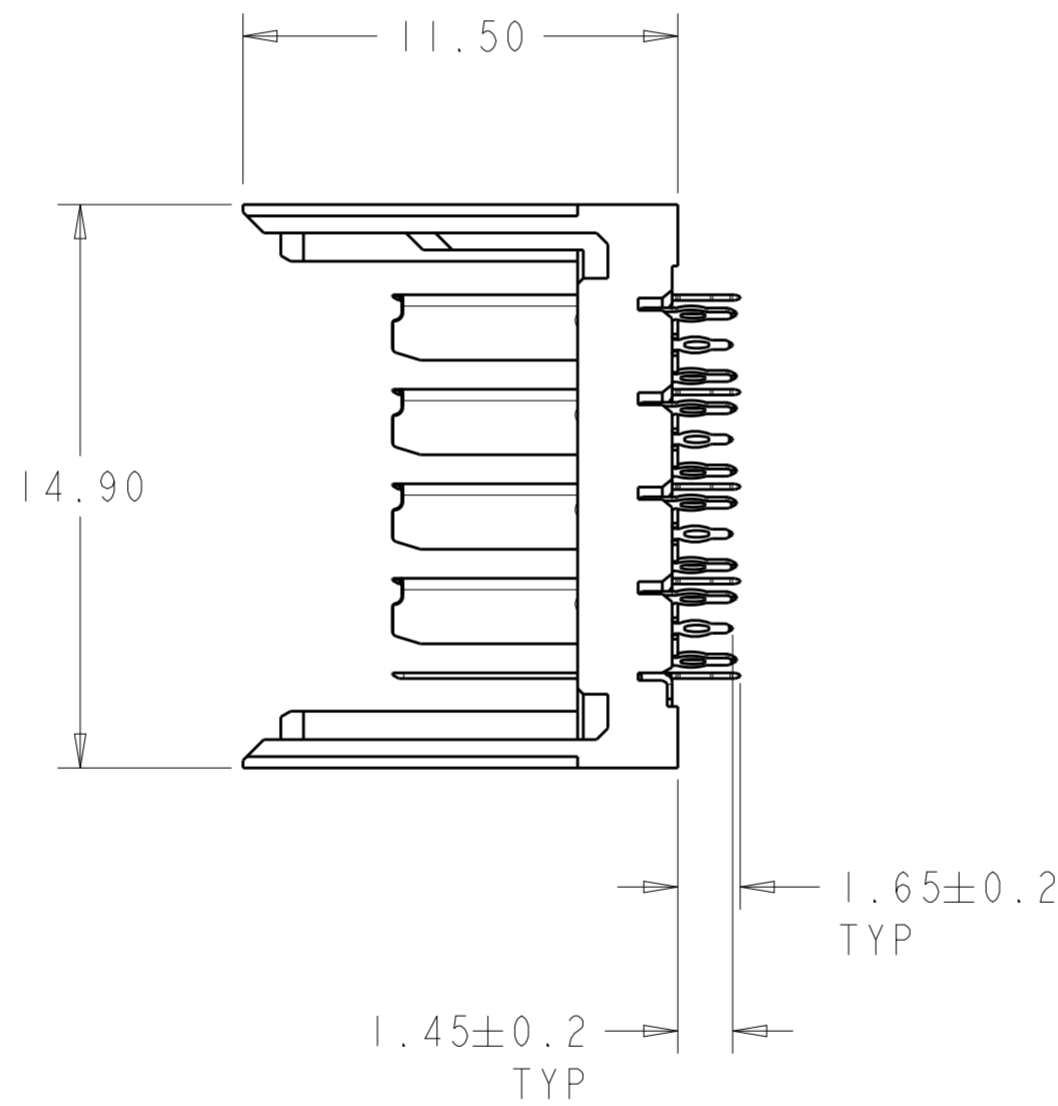
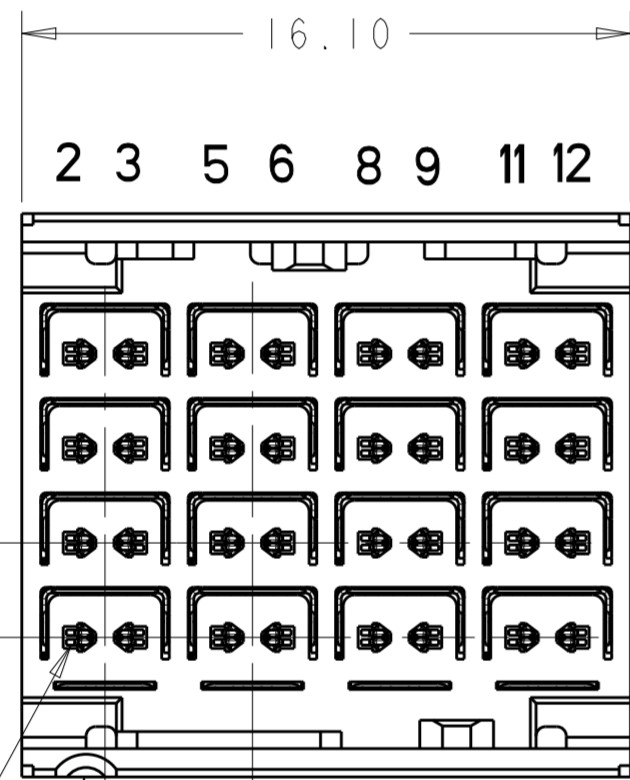


THIS DRAWING IS UNPUBLISHED. RELEASED FOR PUBLICATION 2017
 © COPYRIGHT 2017 BY TE CONNECTIVITY ALL RIGHTS RESERVED.

REVISIONS				
P	LTR	DESCRIPTION	DATE	APVD
	A	INITIAL RELEASE	26FEB2019	AP RP



- ① MATERIAL:
HOUSING: THERMOPLASTIC, UL 94V-0, BLACK
CONTACTS AND SHIELDS: COPPER ALLOY
- ② FINISH:
- CONFORMS TO THE REQUIREMENTS OF TE PRODUCT SPECIFICATION 108-32021 BASED ON TELCORDIA GR-1217-CORE FOR SYSTEM QUALITY LEVEL III, APPLICATIONS IN CONTROLLED ENVIRONMENTS (CENTRAL OFFICE).
- COMPLIANT PIN AREA: 0.5µm MIN MATTE TIN.
- ③ SIGNAL PLATED THRU HOLE REQUIREMENTS:
FINISHED HOLE = $\varnothing 0.34 \pm 0.05$
HOLE SIZE PRIOR TO PLATING = $\varnothing 0.420 \pm 0.025$
COPPER THICKNESS = 0.025 MIN
IMMERSION TIN IF APPLICABLE = (0.00095)
- ④ GROUND PLATED THRU HOLE REQUIREMENTS:
FINISHED HOLE: 0.37 ± 0.05
HOLE SIZE PRIOR TO PLATING: 0.45 ± 0.025
COPPER THICKNESS: 0.025 MIN
IMMERSION TIN IF APPLICABLE: (0.00095)
- ⑤ SI VIA PLATED THRU HOLE REQUIREMENTS:
HOLE SIZE PRIOR TO PLATING = 0.450 ± 0.025
COPPER THICKNESS = MIN REQUIRED TO MEET REQUIRED ELECTRICAL PERFORMANCE
- ⑥ PTH DIMENSIONS APPLY TO THE TOP 1.00mm OF THE PCB THICKNESS FROM THE CONNECTOR MOUNTING SIDE.
- ⑦ CONNECTOR MARKED WITH PART NUMBER, DATE CODE, AND "92 OHM" IN APPROXIMATE AREA SHOWN.
- ⑧ DATUMS AND BASIC DIMENSIONS ESTABLISHED BY CUSTOMER.
- ⑨ APPLIES TO FINISHED HOLE DIAMETER.



(2.5)
TYP

(3.9)
TYP

POSITION A1
CORNER INDICATOR

SIGNAL CONTACT A2

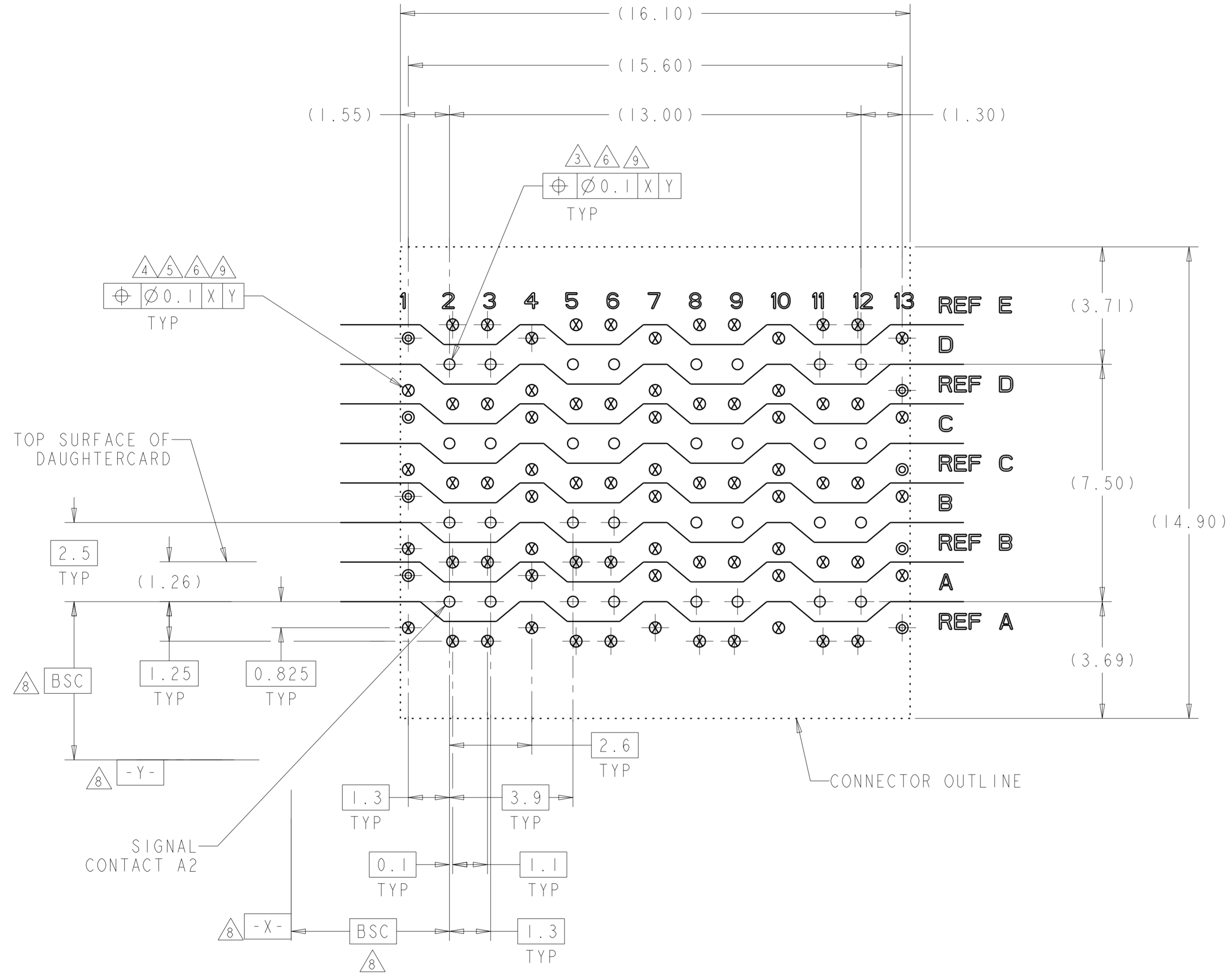
2187724-1

PART NO

THIS DRAWING IS A CONTROLLED DOCUMENT.		DWN AJITH PAI 26FEB2019	TE Connectivity	
DIMENSIONS: mm		CHK R. PATTERSON 26FEB2019		
TOLERANCES UNLESS OTHERWISE SPECIFIED:		APVD R. PATTERSON 26FEB2019	NAME HEADER ASSEMBLY, 4 PAIR 4 COLUMN, OPEN END WALL, BACKPLANE, 92 OHM PAIR-IN-ROW, STRADA WHISPER	
0 PLC ± 1 PLC ± 2 PLC ±0.13 3 PLC ± 4 PLC ± ANGLES ± FINISH		PRODUCT SPEC 108-32021	SIZE A2	
MATERIAL ① material_2		APPLICATION SPEC 114-32029	CAGE CODE 00779	DRAWING NO C-2187724
FINISH ② finish_spec_2		WEIGHT -	RESTRICTED TO	
CUSTOMER DRAWING		SCALE 5:1		SHEET 1 OF 2 REV A


THIS DRAWING IS UNPUBLISHED. RELEASED FOR PUBLICATION 2017
 © COPYRIGHT 2017 BY TE CONNECTIVITY ALL RIGHTS RESERVED.

REVISIONS				
P	LTR	DESCRIPTION	DATE	APVD
-	-	SEE SHEET 1	-	-



- = SIGNAL
- ⊗ = GROUND
- ⊙ = SIGNAL INTEGRITY VIA TO GROUND

RECOMMENDED PCB LAYOUT,
 COMPONENT SIDE SHOWN
 SCALE 10:1

THIS DRAWING IS A CONTROLLED DOCUMENT.		DWN AJITH PAI 26FEB2019	 TE Connectivity
DIMENSIONS: mm		CHK R. PATTERSON 26FEB2019	
TOLERANCES UNLESS OTHERWISE SPECIFIED: 0 PLC ± 1 PLC ± 2 PLC ±0.13 3 PLC ± 4 PLC ± ANGLES ± FINISH		APVD R. PATTERSON 26FEB2019	
MATERIAL material_2		PRODUCT SPEC 108-32021 APPLICATION SPEC 114-32029 WEIGHT -	
NAME HEADER ASSEMBLY, 4 PAIR 4 COLUMN, OPEN END WALL, BACKPLANE, 92 OHM PAIR-IN-ROW, STRADA WHISPER			RESTRICTED TO
SIZE A2			CAGE CODE 00779
DRAWING NO C-2187724			SCALE 3:1
CUSTOMER DRAWING			SHEET 2 OF 2
			REV A

Mouser Electronics

Authorized Distributor

Click to View Pricing, Inventory, Delivery & Lifecycle Information:

[TE Connectivity:](#)

[2187724-1](#)