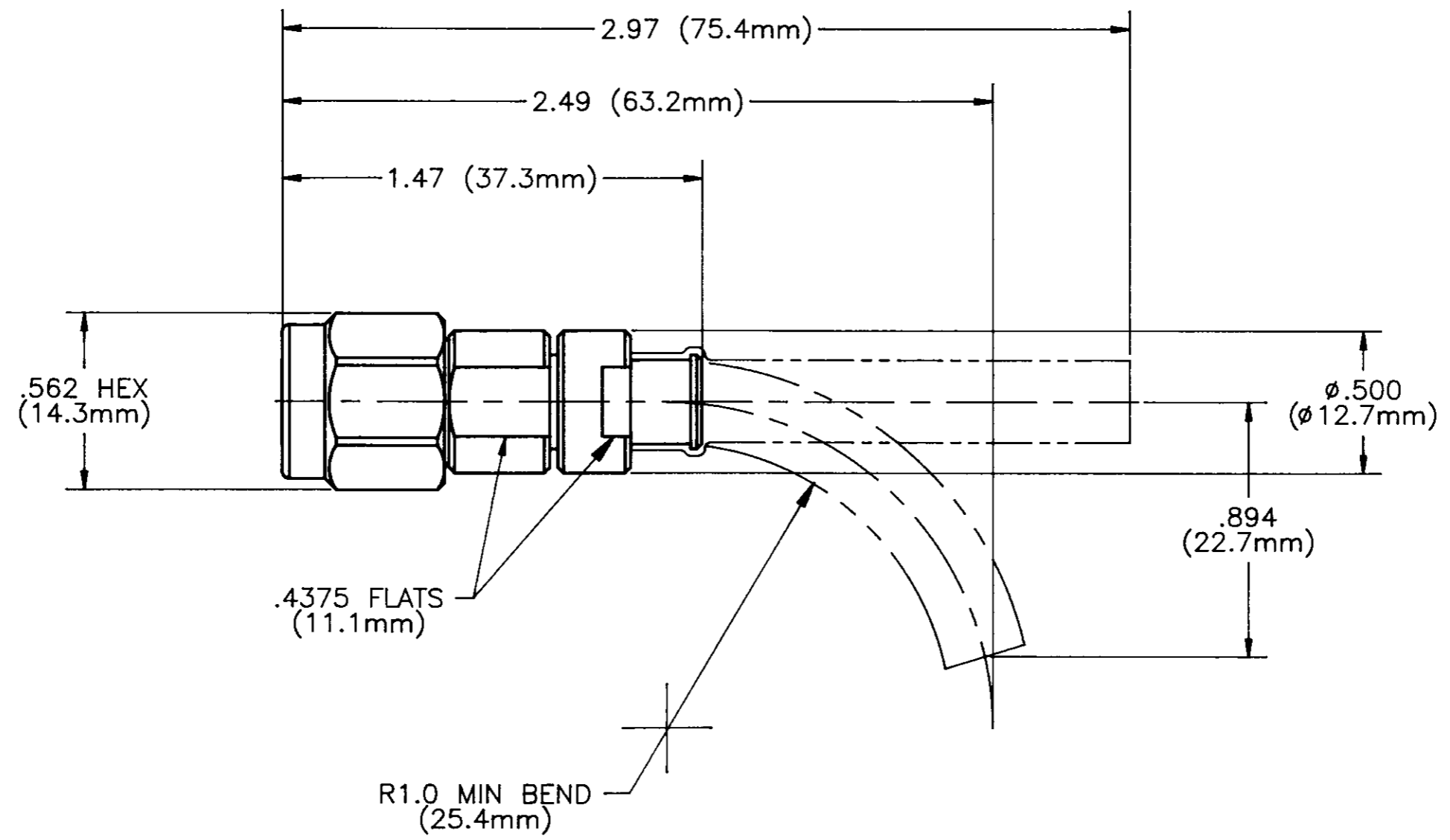



REVISIONS			
REV	DESCRIPTION	DATE	APPROVED
-	INITIAL RELEASE.	96/01/18	R.JOHNSON
A	REV PER ECO 3823.	94/07/15	L.PULOTU



NOTES: UNLESS OTHERWISE SPECIFIED.
 1. REF: XTNC-C-P-STR-HP190-PF-SC-16-XXXXXXX.

NEXT ASSY	USED ON
APPLICATION	

ITEM NO.	QTY REQD	FSCM NO.	PART OR IDENTIFYING NO.	NOMENCLATURE OR DESCRIPTION	MATERIAL SPECIFICATION	TYPE
PARTS LIST						
UNLESS OTHERWISE SPECIFIED DIMENSIONS ARE IN INCHES TOLERANCES ARE: FRACTIONS DECIMALS ANGLES ± .XX ± ±			CONTRACT NO.		 5550 E. McDOWELL RD. MESA, ARIZONA 85215 (602) 985-9000	
MATERIAL SEE PARTS LIST			SIGNATURES DATE			
FINISH			DRAWN BY M. BONE 95/04/26		TNC STR PLUG TO HP190	
DO NOT SCALE DRAWING			CHECKED BY B. NOTHUM 96/01/16			
			APPROVED BY S. HARDIN 96/01/16		SIZE	REV
			APPROVED BY D. CWIKLA 96/01/16		B	A
			SCALE 2/1		FSCM NO. 60637	DWG NO. 20499-111
			SEM 02-09 (9/89)		SHEET 1 OF 2	

Mouser Electronics

Authorized Distributor

Click to View Pricing, Inventory, Delivery & Lifecycle Information:

[Cinch Connectivity Solutions:](#)

[20499-111](#)