

1 2 3 4 5 6

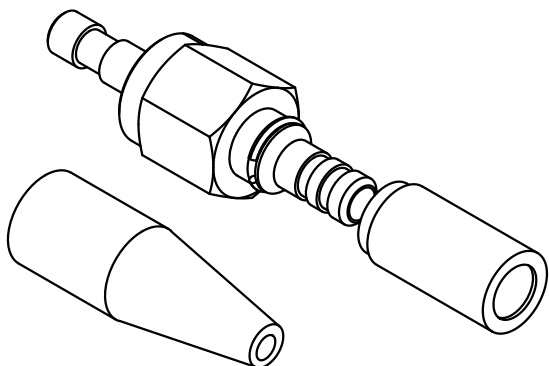
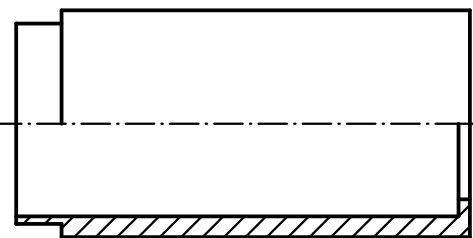
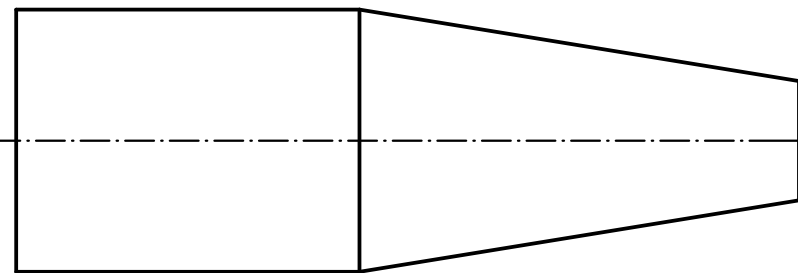
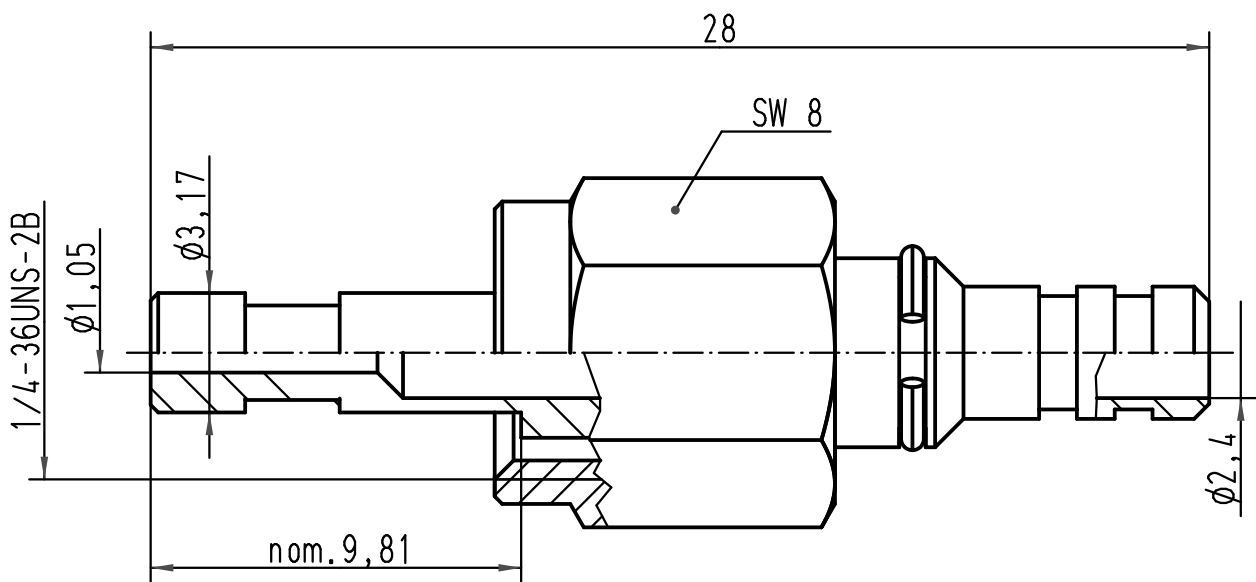
A

B

C

D

Knickschutztülle  
bending protection



All Dimensions in mm Original Size DIN A 4			Techn. Character.			Nicht tolerierte Maße/ Free size tolerances		
				Dat.	Name	Maßstab/ Scale  5:1	<b>F-SMA Steckverbinder</b> <i>F-SMA connector</i> 1mm/2,2mm POF Sercos 3,6	
			Detail.	06.03.01	DY			
413894	27.05.08	Bor	Insp.		SDT			
413686	06.03.08	Pr	Stand.					
413262	10.10.07	Ho	HARTING Electric GmbH & Co. KG				<b>TB 20 10 001 1241</b>	
29293			D-32339 Espelkamp					
Mod.	Dat.	Name					Sub. <span style="float: right;">Blatt/ page</span>	

# Mouser Electronics

Authorized Distributor

Click to View Pricing, Inventory, Delivery & Lifecycle Information:

[HARTING:](#)

[20100011241](#)