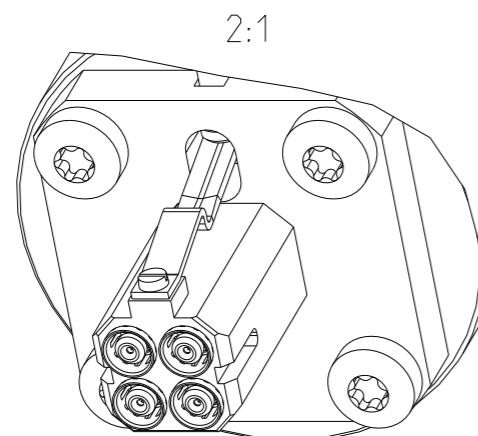
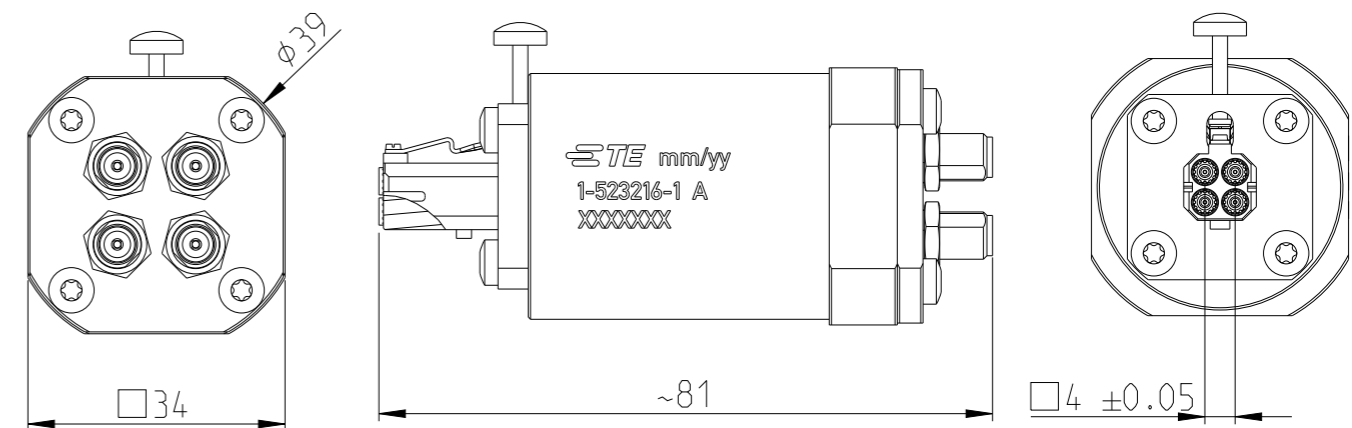


Radio frequency characteristics	
Interface type	3.5mm Socket per IEC 60169-23 / MATE-AX plug
Frequency range	DC to 9GHz
Impedance	50Ω
Return loss, min. -mated with adapter 1-523216-0 -perfect axial alignment is mandatory -TDR gated (lowpass step)	30 dB @ DC to 1 GHz 25 dB @ 1 to 2 GHz 20 dB @ 2 to 9 GHz
Mechanical characteristics	
Center conductor material / surface finish	CuBe age hardened / gold-plated
Outer conductor material / surface finish	copper alloy / gold plated
Insulation	PS, cross linked polystyrene
Other metallic parts / surface finish	aluminium / passivated copper alloy / nickel plated, silver-plated stainless steel
Marking	Logo, Rev., Order No., Prod. date, Serial no.
Recommended torque (3.5mm socket)	0.9NM ± 10%
Engagement force, approx.	25N
Disengagement force, approx.	30N
Matings, max.	500
Environmental conditions	
Storage	
Ambient temperature range	-40 to +70°C
Relative humidity	95% (non-condensing)
Scope of delivery and accessories and Application	
Scope of delivery	Adapter and Data sheet packed in a box
Application	MATE-AX, 4 pos. Pin Hsg. 2298724, 2325359, 2362803

P	LTR	DESCRIPTION	DATE	DWN	APVD
	A	INITIAL DRAWING	02FEB2018	BM	LB
	A1	ECR-21-005161	06MAY2021	BM	MP



THIS DRAWING IS A CONTROLLED DOCUMENT.

DIMENSIONS:	TOLERANCES UNLESS OTHERWISE SPECIFIED:
mm	
	0 PLC ±0.3
	1 PLC ±0.2
	2 PLC ±
	3 PLC ±
	4 PLC ±
	ANGLES ±
MATERIAL	FINISH
-	-
-	-

DWN	B. Muth	02FEB2018
CHK	L. Bauer	02FEB2018
APVD	L. Bauer	02FEB2018
PRODUCT SPEC	-	-
APPLICATION SPEC	-	-
WEIGHT	~110g	-
CUSTOMER DRAWING	-	-

TE Order No. 1-523216-1			
		TE Connectivity	
NAME MATE-AX, HF-ADAPTER, 4 POS SOCKET-RPC 3.50 SOCKET			
SIZE	CAGE CODE	DRAWING NO	RESTRICTED TO
A3	00779	1-523216-1	-
SCALE	1:1	SHEET	1 OF 1
REV	A1		

Mouser Electronics

Authorized Distributor

Click to View Pricing, Inventory, Delivery & Lifecycle Information:

[TE Connectivity:](#)

[2-2298724-1](#) [2-2298724-2](#) [2-2298724-9](#)