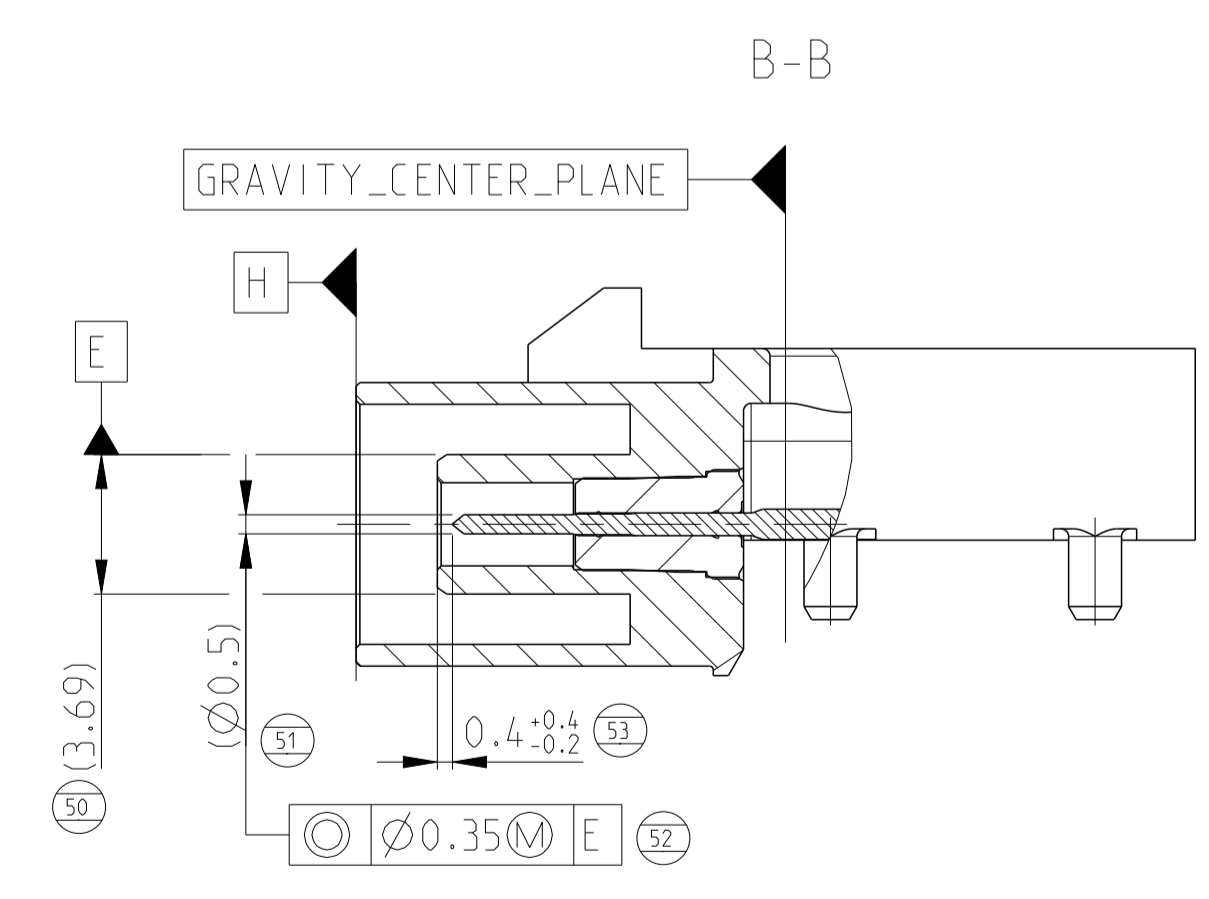
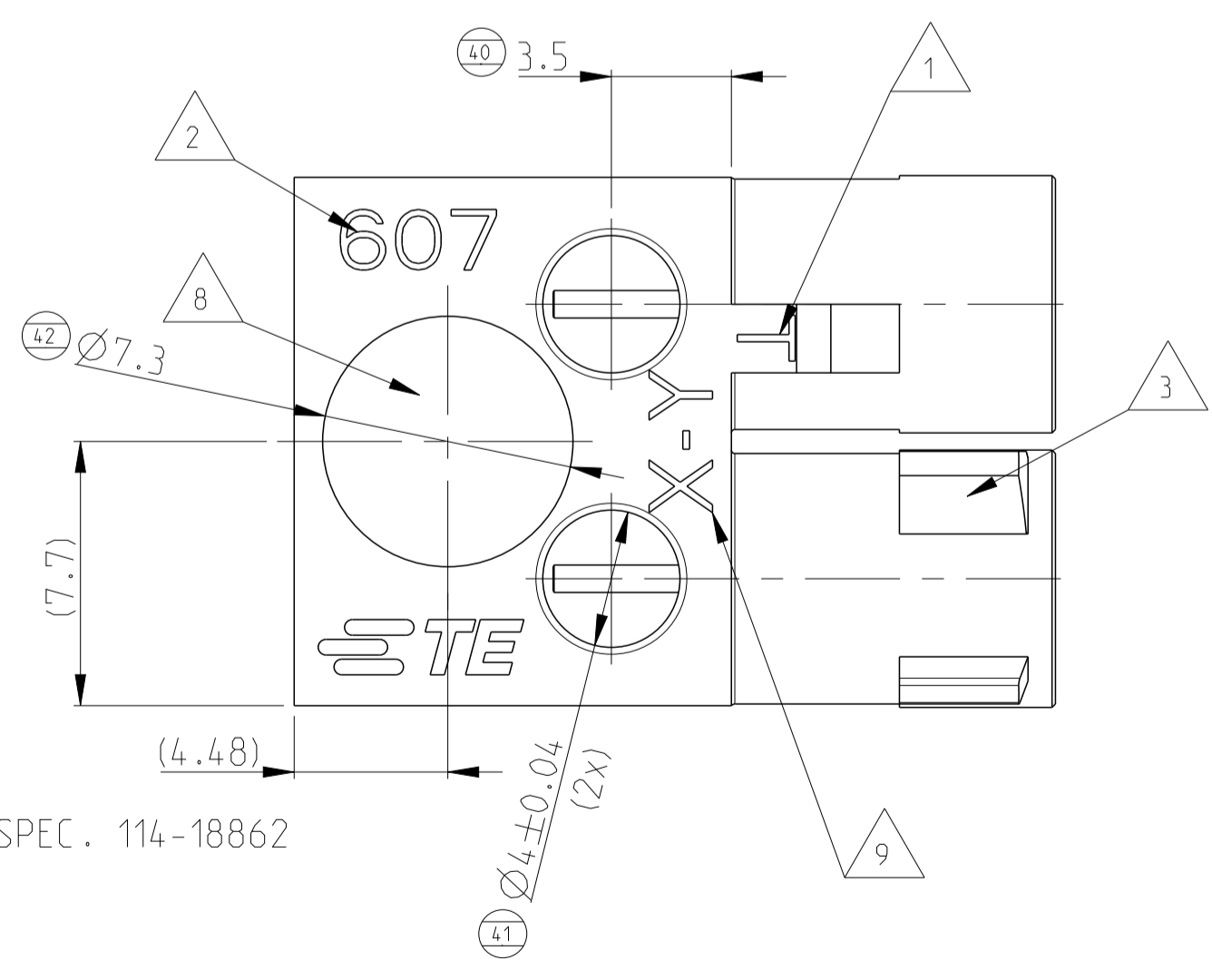
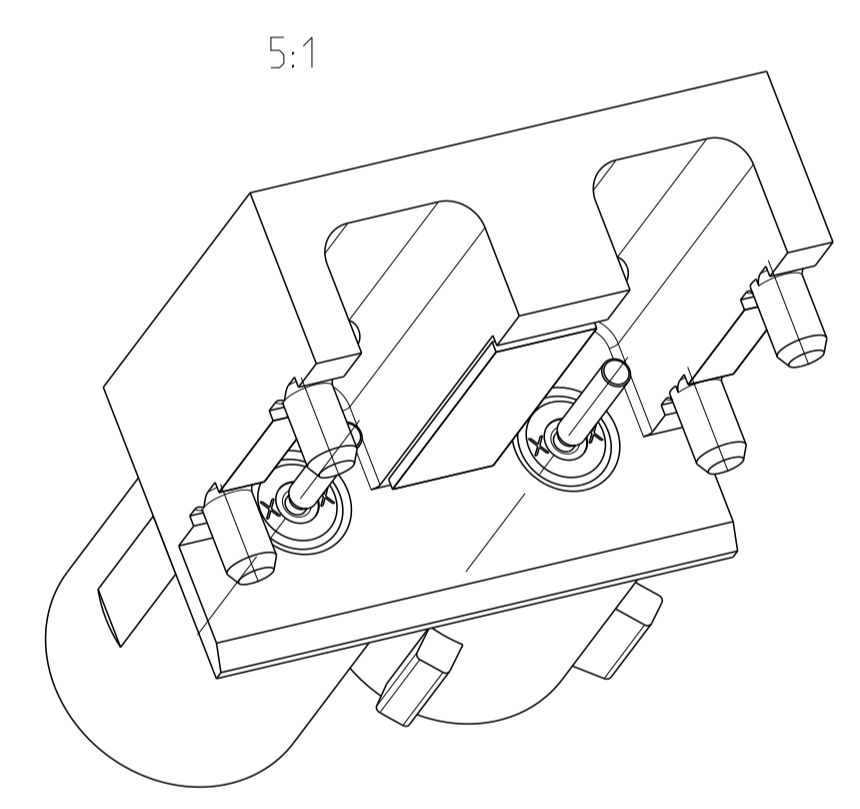


RECOMMENDED PCB LAYOUT SCALE 5:1



- ① PART REVISION MARKING (NOT OF ASSEMBLY REVISION)
- ② LAST 3 DIGITS OF ASSEMBLY BASE PART NUMBER
- ③ CODING RIBS FOR CONFIGURATION OF THE MECHANICAL CODINGS ACC. TO DIN72594-1. THE CONFIGURATION OF THE CODINGS IS SHOWN ON SHEET 2.
- ④ PACKAGING: BLISTER SMD ESD, SHOWN ON SHEET 3
- ⑤ COINING DOTS FOR FIXING POSITION OF THE DIELECTRIC - SEE IN APP. SPEC. 114-18862
- ⑥ COLOR MARKING ACC. TABLE
- ⑦ PLATING THICKNESS - SEE TABLE
- ⑧ AREA FOR VACUUM PICKER
- ⑨ DASH NUMBER OF PART (DEPENDANT OF CODING, SEE TABLE)
- ⑩ FOR ALS30 ANTI TARNISH SEE SPEC. 104-32033, 105-32033, 118-32093
- ⑪ FOR PACKAGING INSTRUCTIONS SEE V1670607.

none	1-1670607-1	Z	RAL5021
-	1-1670607-0	K	RAL1027
-	1670607-9	I	RAL1001
ALS30	1670607-8	H	RAL4003
-	1670607-7	G	RAL7031
-	1670607-6	F	RAL8011
-	1670607-5	E	RAL6002
-	1670607-4	D	RAL4004
none	1670607-3	C	RAL5005
-	1670607-2	B	RAL9001
-	1670607-1	A	RAL9005
ANTI TARNISH	ASSEMBLY PART NUMBER	CODING ③	SIMILAR COLOR RAL ⑥

OUTER SHELL	1	ALS30 ⑩	Surface- min 0.3µm Sn over min 0.5µm Ni both over min. 2.0µm Cu.	Zn-ALLOY	3
DIELECTRIC	2	-	-	PA	2
CENTER CONTACT	2	Au-COATED min 0.6µm	-	CuZn	1
DESCRIPTION	QTY.	FINISHED SURFACE	SUBLAYER	MATERIAL	POS.

TOLERANCING ISO 8015
 DIMENSIONING AND TOLERANCING PER GPS (ISO STANDARDS)

THIS DRAWING IS A CONTROLLED DOCUMENT. DIMENSIONING AND TOLERANCING PER GPS (ISO STANDARDS)

OWN: D. De Cloet
 CHK: W. Mueller
 APVD: W. Stabroch

29SEP2006
 10OCT2006
 10OCT2006

PRODUCT SPEC: 108-18079
 APPLICATION SPEC: 114-18862

WEIGHT: ~6.535 g

Customer Drawing

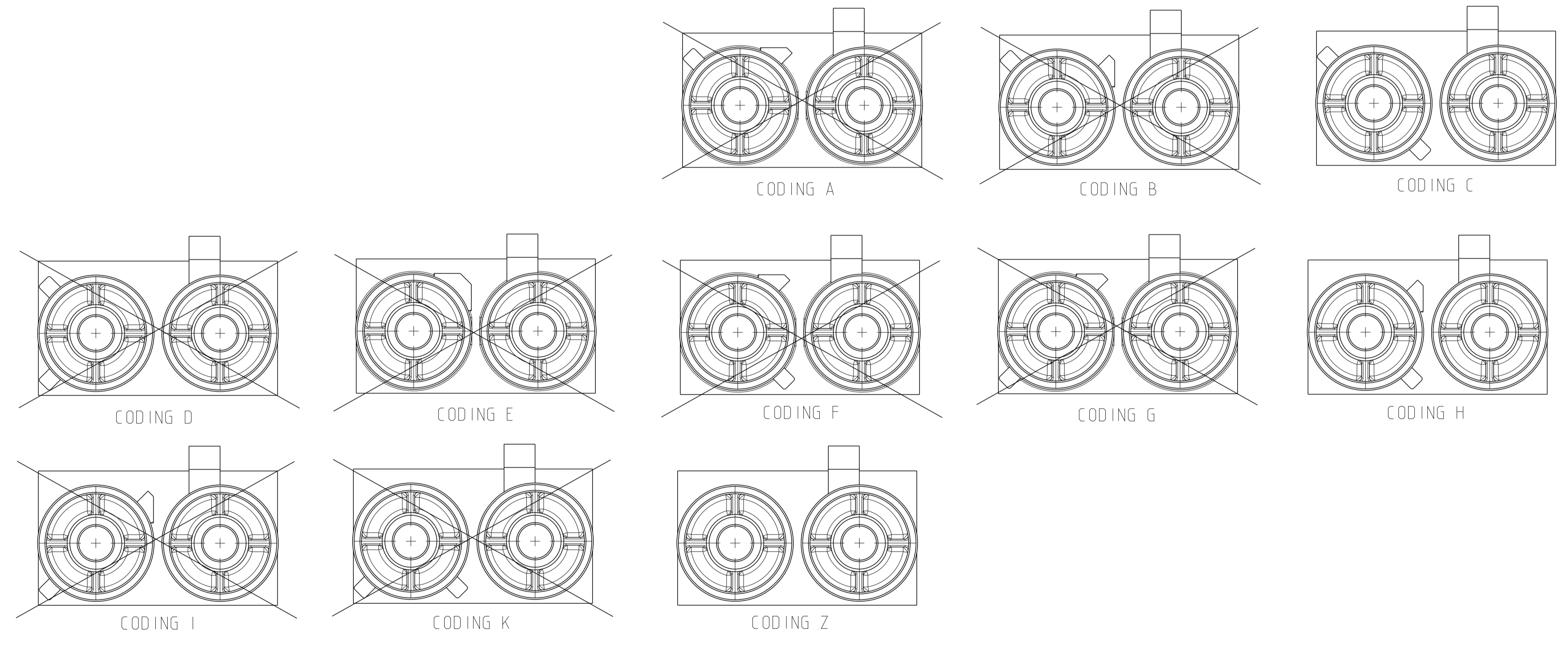
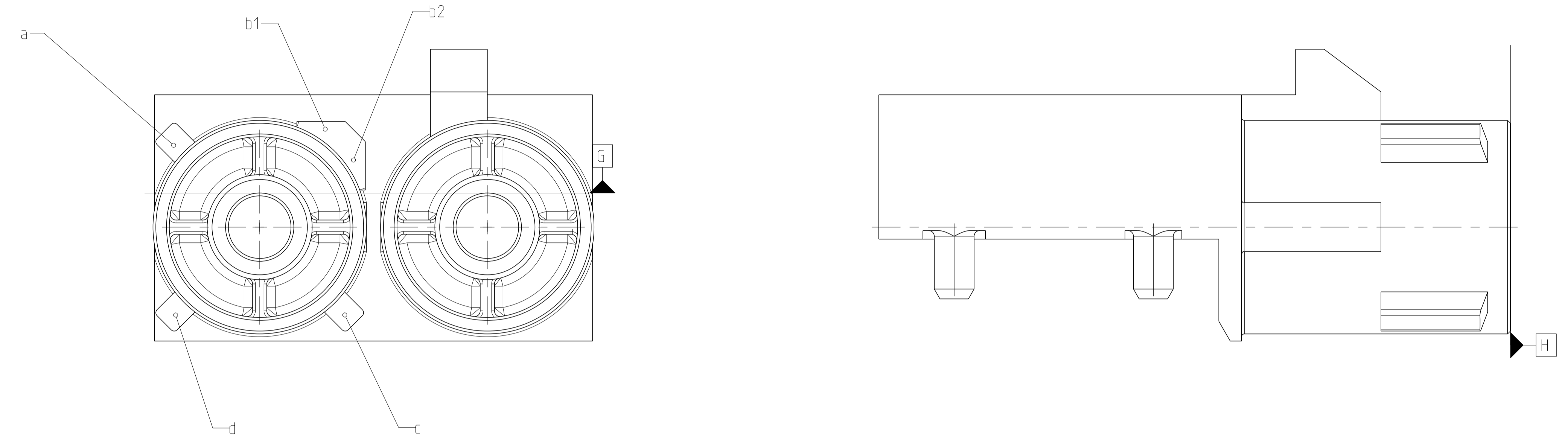
SCALE: 5:1 SHEET: 1 OF 3 REV: E9

TE Connectivity
 FAKRA PCB 2POS. JACK, RIGHT ANGLED Assembly
 CAGE CODE: 00779
 DRAWING NO: 1670607

PROJECT No.		REVISIONS			
P	LTN	DESCRIPTION	DATE	DWN	APVD
-	-	SEE SHEET 1	-	-	-
EGATN04036					
PRJ-11-000003682					

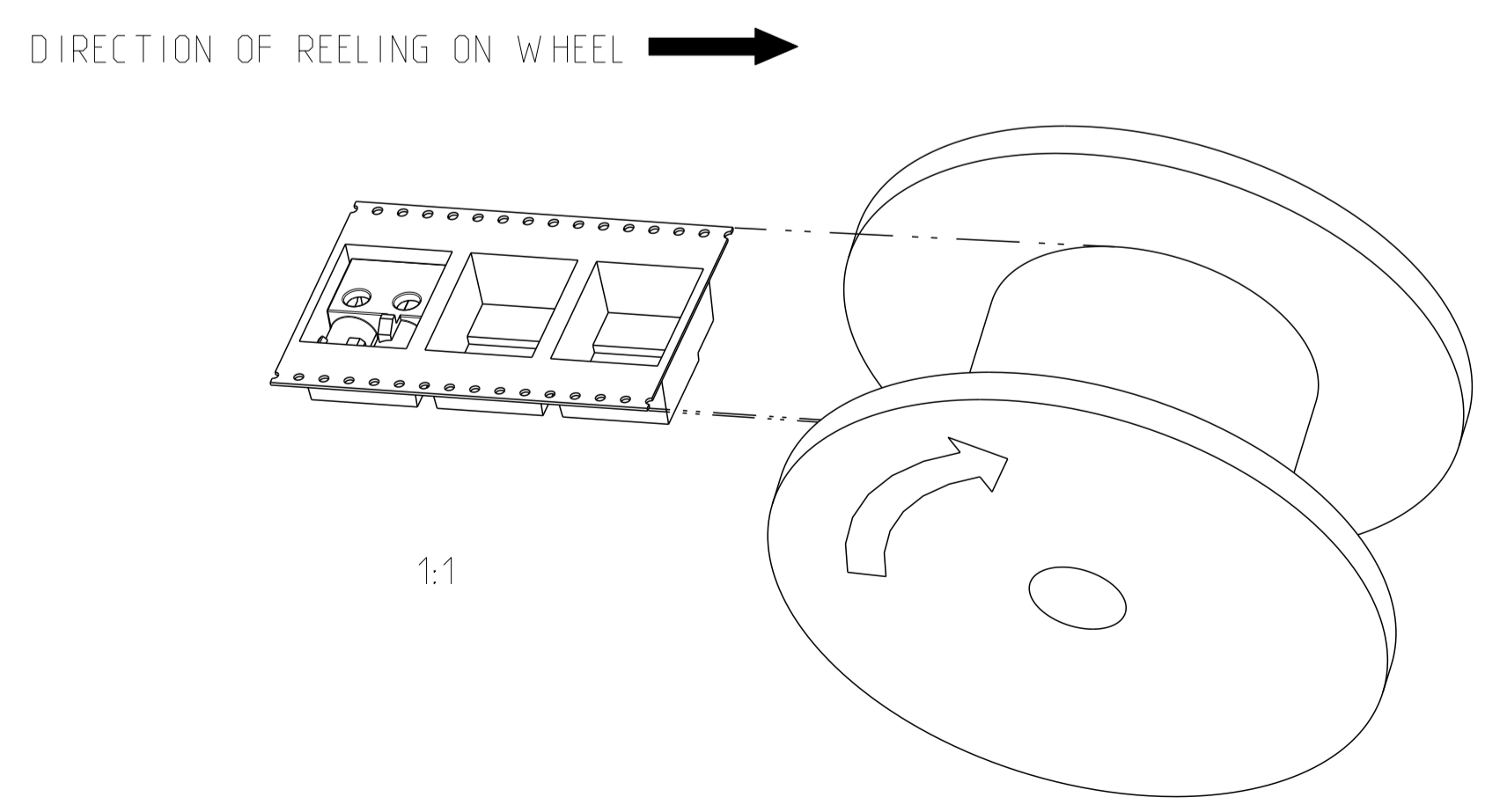
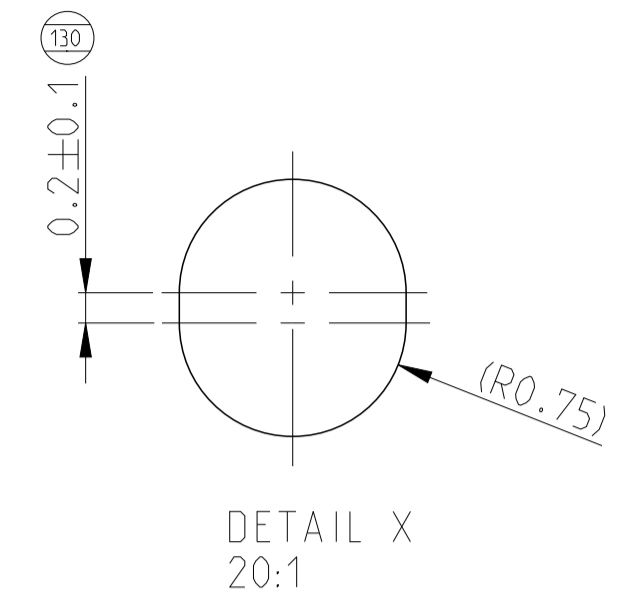
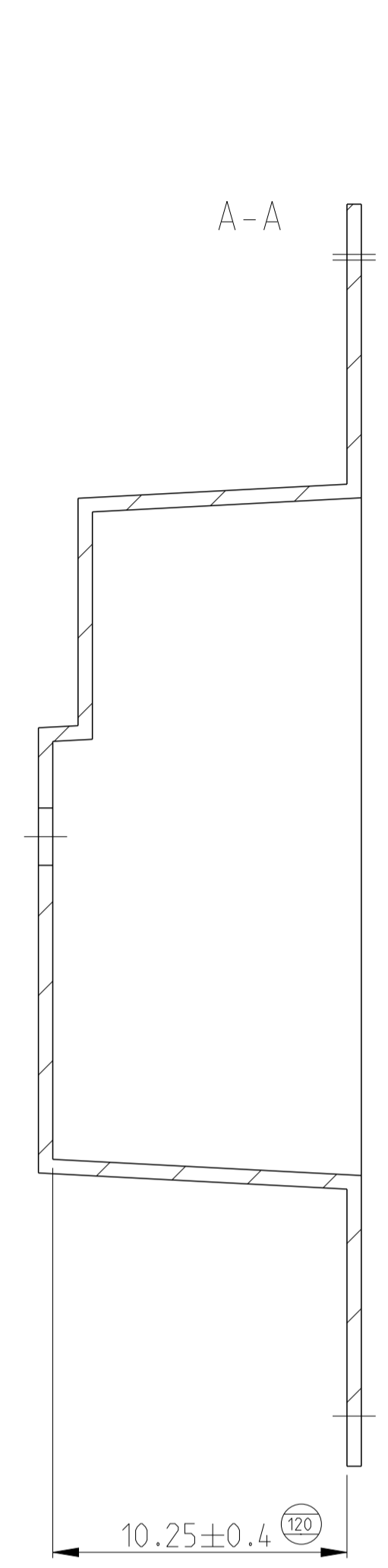
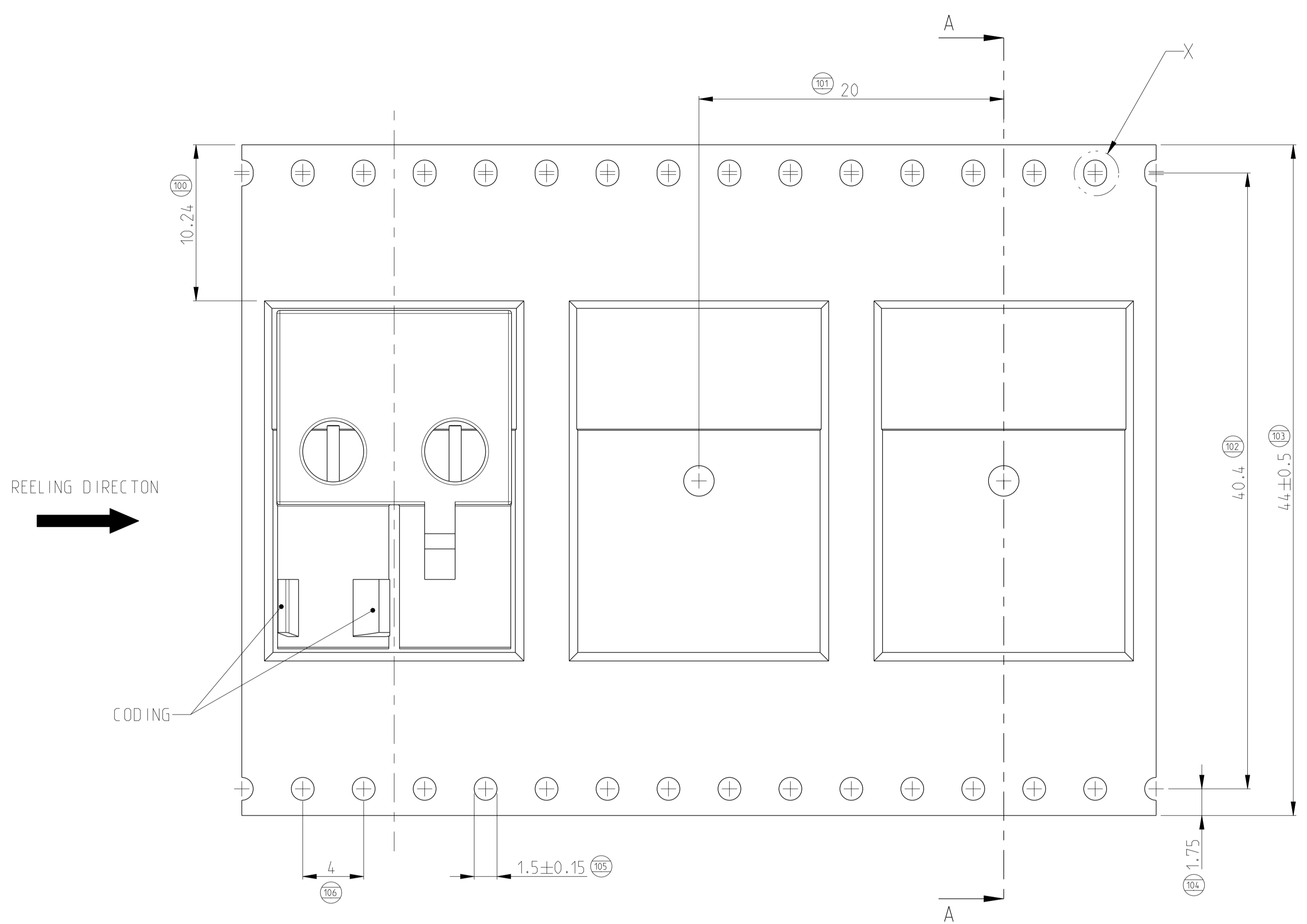
ALL CODING RIBS SHOWN

10:1



THIS DRAWING IS A CONTROLLED DOCUMENT.		TOLERANCING ISO 8015 TOLERIERUNG ISO 8015		DWN 29SEP2006 G. De Cloel	
DIMENSIONS: mm		TOLERANCES UNLESS OTHERWISE SPECIFIED:		CHK 10OCT2006 W. Mueller	
0 PLC ±0.2		1 PLC ±0.2		APVD 10OCT2006 W. Stabroth	
2 PLC ±0.2		3 PLC ±0.2		PRODUCT SPEC	
4 PLC ±0.2		ANGLES ±0.2		APPLICATION SPEC	
FINISH		FINISH		116-18862	
MATERIAL		MATERIAL		WEIGHT -6.535 g	
				Customer Drawing	
				SIZE A1	
				CAGE CODE 00779	
				DRAWING NO. C=1670607	
				RESTRICTED TO	
				SCALE 5:1	
				SHEET 2 OF 3	
				REV E9	

PROJECT No.		REVISIONS			
P.	LTN.	DESCRIPTION	DATE	DWN.	APVD.
-	-	SEE SHEET 1	-	-	-



THIS DRAWING IS A CONTROLLED DOCUMENT.		TOLERANCING ISO 8015 TOLERIERUNG ISO 8015		DWN: 29SEP2006 G. De Cloet	
DIMENSIONS: mm		TOLERANCES UNLESS OTHERWISE SPECIFIED:		CHK: 10OCT2006 W. Mueller	
0 PLC ±0.2		1 PLC ±0.2		APVD: 10OCT2006 W. Stabroth	
2 PLC ±0.2		3 PLC ±0.2		NAME: -	
4 PLC ±0.2		ANGLES ±0.2		PRODUCT SPEC: 108-18079	
MATERIAL: -		FINISH: -		APPLICATION SPEC: 114-18862	
-		-		WEIGHT: ~6.535 g	
-		-		Customer Drawing	
-		-		SIZE: A1	
-		-		CAGE CODE: 00779	
-		-		DRAWING NO: C=1670607	
-		-		RESTRICTED TO: -	
-		-		SCALE: 5:1	
-		-		SHEET: 3 OF 3	
-		-		REV: E9	

Mouser Electronics

Authorized Distributor

Click to View Pricing, Inventory, Delivery & Lifecycle Information:

[TE Connectivity:](#)

[1670607-8](#)