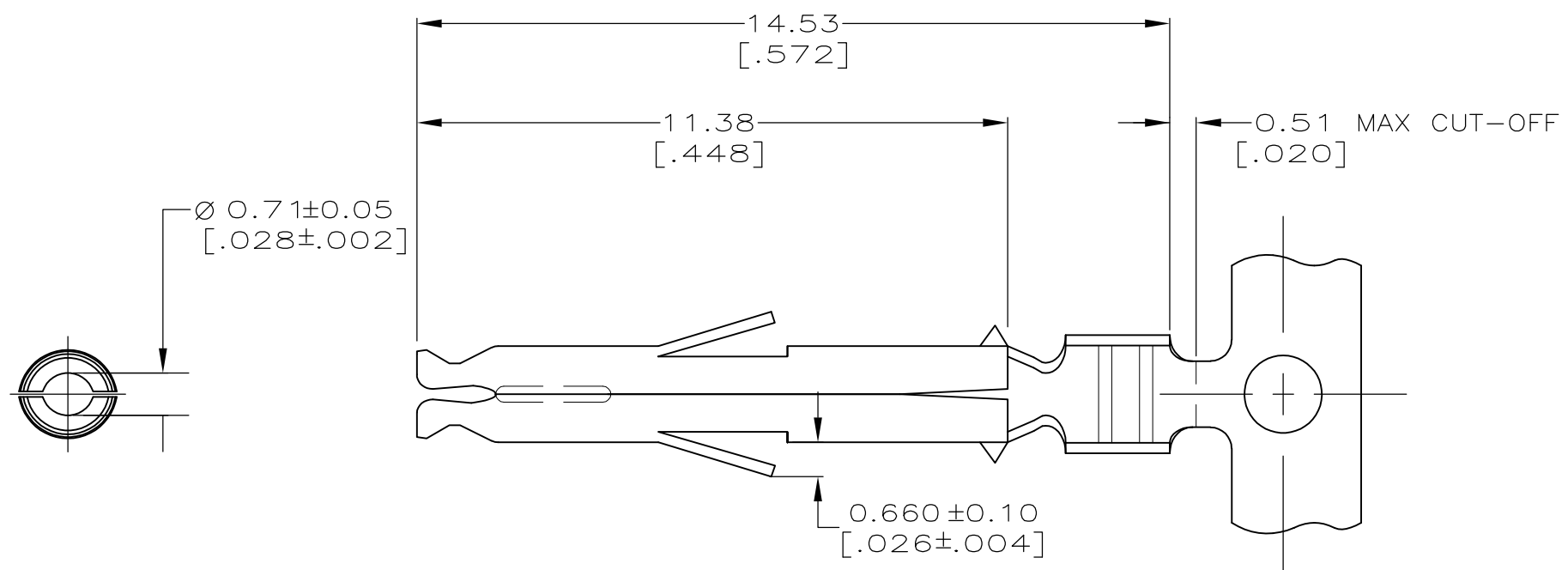
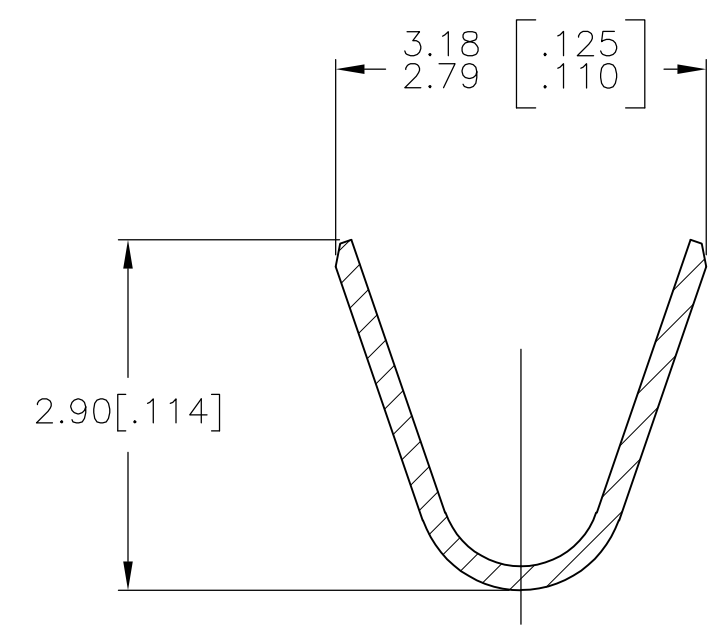
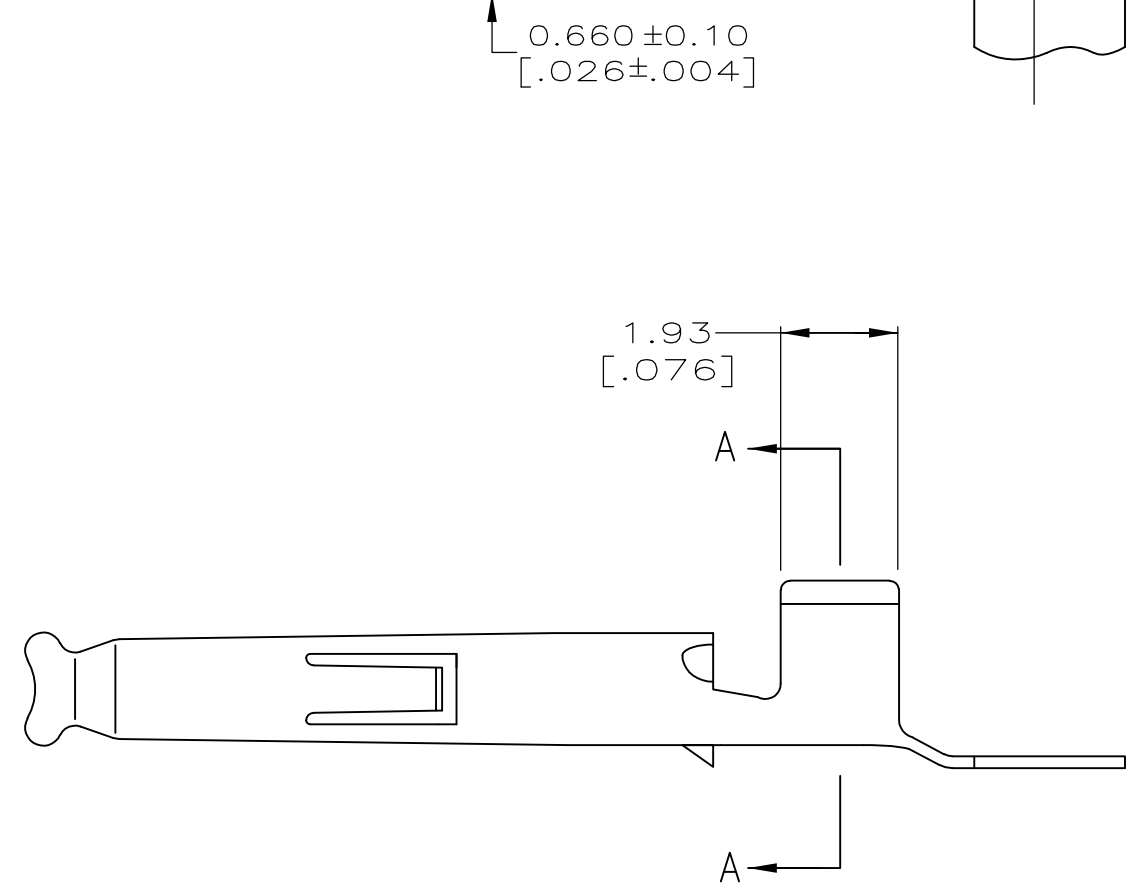


THIS DRAWING IS UNPUBLISHED. RELEASED FOR PUBLICATION
 © COPYRIGHT - By - ALL RIGHTS RESERVED.

LOC	DIST	REVISIONS			
P	LTR	DESCRIPTION	DATE	DWN	APVD
CM	00	B	REVISED PER ECR-12-018712	02NOV12	KH TM



- 1 WIRE RANGE: 1.3 - 1.4 MM² (16 AWG).
- 2 INSULATION RANGE: 3.3 [.130] MAX DIA.
- 3 DIMENSIONS IN BRACKETS ARE IN INCHES.



SECTION A-A
SCALE 20:1

PRE-TIN	0.20 [.008] BRASS	1586538-1
FINISH	MATERIAL	PART NO

THIS DRAWING IS A CONTROLLED DOCUMENT.		DWN K. WHITAKER 19OCT2004	TE Connectivity												
DIMENSIONS: mm [INCHES]		CHK C. JONES 19OCT2004			NAME SOCKET, MINI UNIVERSAL MATE-N-LOK(TM)										
TOLERANCES UNLESS OTHERWISE SPECIFIED:		APVD C. JONES 19OCT2004													
<table border="1"> <tr><td>0 PLC</td><td>± -</td></tr> <tr><td>1 PLC</td><td>± -</td></tr> <tr><td>2 PLC</td><td>± 0.13 [.005]</td></tr> <tr><td>3 PLC</td><td>± -</td></tr> <tr><td>4 PLC</td><td>± -</td></tr> <tr><td>ANGLES</td><td>± 0°30'</td></tr> </table>		0 PLC			± -	1 PLC	± -	2 PLC	± 0.13 [.005]	3 PLC	± -	4 PLC	± -	ANGLES	± 0°30'
0 PLC	± -														
1 PLC	± -														
2 PLC	± 0.13 [.005]														
3 PLC	± -														
4 PLC	± -														
ANGLES	± 0°30'														
MATERIAL -	FINISH -	WEIGHT -	SIZE A3	CAGE CODE 00779	DRAWING NO C-1586538	RESTRICTED TO -									
CUSTOMER DRAWING			SCALE 10:1	SHEET 1 OF 1	REV B										

Mouser Electronics

Authorized Distributor

Click to View Pricing, Inventory, Delivery & Lifecycle Information:

[TE Connectivity:](#)

[1586538-1](#)