



har-flex[®] straight male connector



GENERAL INFORMATIONS

No. of contacts	stacking height 1,75mm, 3,25mm from 6 to 100poles, all even numbers stacking height 4,85mm from 6 to 80poles, all even numbers
Contact spacing	1,27mm x 1,27mm [0,050"x0,050"]
Test Voltage	500V
Contact resistance	<25 mOhm
Insulation resistance	≥ 10x10 ⁹ Ω
Working current acc. to IEC 60512, at 70°C, 80% derating	see derating diagram
Working temperature range	-55°C ... +125°C
Termination technology	SMT
Reflow processing temperature (acc. to ECA/IPC/JEDEC J-STD-075 Level PSL R0)	min. 150s > 217°C min. 30s > 240°C
Clearance & creepage distance	0,4mm min.
Insertion force (depending on mating connector)	approximately 0,5N/contact
Withdrawal force (depending on mating connector)	approximately 0,5N/contact
Mating cycles	PL1 : 500 mating cycles PL2 : 250 mating cycles
RoHS - compliant	Yes
Leadfree	Yes
Working voltage acc. to IEC 60664-1	100V / 150V (depending on installation category)
UL file acc. UL 1977	ECBT2.E102079
UL file acc. CSA-C22.2 (for Canada)	ECBT8.E102079
PSL level acc. ECA/IPC/JEDEC J-STD-075	PSL R0
MSL level acc. ECA/IPC/JEDEC J-STD-020D	MSL 1

INSULATOR MATERIAL

Material	LCP (liquid crystalline polymer)
Color	Black
UL classification	UL94-V0
Material group acc. IEC 60664-1	IIIa (175 ≤ CTI < 400)

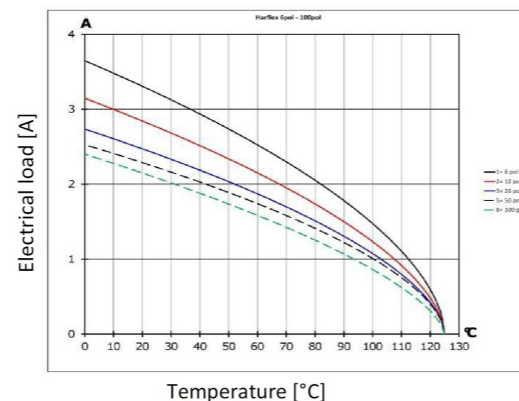
CONTACT MATERIAL

Contact material	Copper alloy
Plating termination zone	Sn
Plating contact sliding side	Au over PdNi (acc. to Performance level)

DERATING DIAGRAM acc. to IEC 60512-5 (Current carrying capacity)

The current carrying capacity is limited by maximum temperature of materials for inserts and contacts including terminals.
The current capacity curve is valid for continuous, non interrupted current loaded contacts of connectors when simultaneous power on all contacts is given, without exceeding the maximum temperature.

Control and test procedures according to DIN IEC 60512-5
derating curve at I_{max}*0,8 (IEC 60512-5-2)



RECOMMENDATION FOR SOLDER PROCESSING

Solder paste recommendation

The har-flex connectors are solderable with established lead-free SAC / SnNi solder but also leaded solder e.g. SnPb40

PCB pad plating

The har-flex connectors are solderable on lead-free pad surfaces like HAL, NiAu, Immersion Sn.

Stencil recommendation

The solder deposition has to be placed on the pad area of the contact solder tines.

Ideally, the solder deposition has the same length-to-width ratio and center point like the PCB pads.

The size of the solder stencil apertures is depending on the thickness of the stencil.

In general, the thinner stencils will need larger apertures to result in the required volume of solder paste.

The minimum required solder paste volume for the signal pins is 0,094mm³, for the hold down it is 0,33mm³.

For example, this can be achieved with the following stencil data :

Signal pins			
Stencil thickness	PCB pad size	proposal stencil aperture size	calculated solder paste volume
120 μm	1,1 x 0,8 mm	1,05 x 0,75 mm	0,095 mm ³
150 μm	1,1 x 0,8 mm	0,99 x 0,72 mm	0,107 mm ³
Hold-downs			
Stencil thickness	PCB pad size	proposal stencil aperture size	calculated solder paste volume
120 μm	2,5 x 1,2 mm	2,45 x 1,15 mm	0,338 mm ³
150 μm	2,5 x 1,2 mm	2,25 x 1,08 mm	0,365 mm ³

If a stencil with lower thickness shall be used, please insure the minimum required solder paste volume by enlarging the stencil aperture. Depending on the PCB design, the solder deposition may protrude the PCB pads. But to achieve a good sealing during solder paste printing and to reduce the cleaning interval of the stencil, the aperture should be smaller than the PCB pad about 10% or 25μm encircling.

Coplanarity of contacts

All connectors are tested for coplanarity of contacts and are in the range of

- 6 pin to 50 pin: ≤ 0,1mm
- 50 pin to 68 pin: ≤ 0,12mm
- 70 pin to 80 pin: ≤ 0,13mm
- 82 pin to 100 pin: ≤ 0,15mm

Performance level

Performance level 1 (recommended for majority of applications)

Initial 250 mating cycles, 10 days gas test (25°C / 75% r.h.) using H2S 10 ppb, NO2 200 ppb, CL2 10 ppb, SO2 200 ppb. Measurement of contact resistance. The remaining 250 mating cycles are subject to measurement of contact resistance and visual inspection.

Visual inspection. No abrasion of the contact finish through to the base material. No functional impairment.

Part number definition : 15 2

Performance level 2

Initial 125 mating cycles, 4 days gas test (25°C / 75% r.h.) using H2S 10 ppb, NO2 200 ppb, CL2 10 ppb, SO2 200 ppb. Measurement of contact resistance. The remaining 125 mating cycles are subject to measurement of contact resistance and visual inspection.

Visual inspection. No abrasion of the contact finish through to the base material. No functional impairment.

Part number definition : 15 6

Performance level S4

Defined contact surface of min. 0,06 μm Au over 0,7+0,2μm PdNi

Part number definition : 15 5

	All rights reserved Department EL PD	Created by ZHUANGJ	Inspected by LUOK	Standardisation HOFFMANN	Date 2020-07-29	State Final Release	Ref. Sub.
HARTING Electronics GmbH D-32339 Espelkamp		Title har flex male stacking height 1.75 , 3.25 and 4.85		Doc-Key / ECM-Nr. 100577896/UGD/001/E 500000177026		Rev. E	Page 1/2
		Type DS	Number 15111100301				

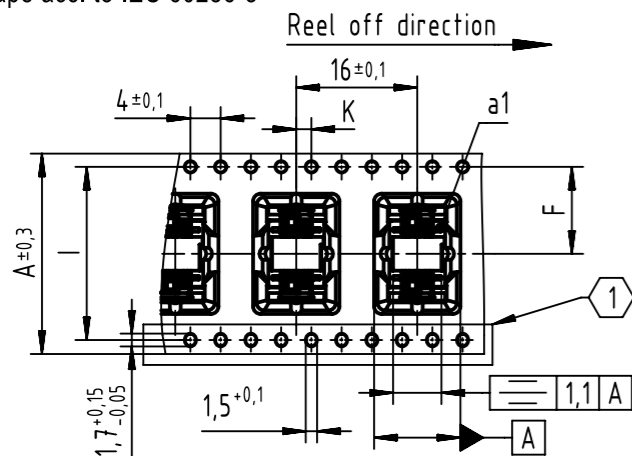


har-flex® straight male connector



TAPE LAYOUT & PACKAGING

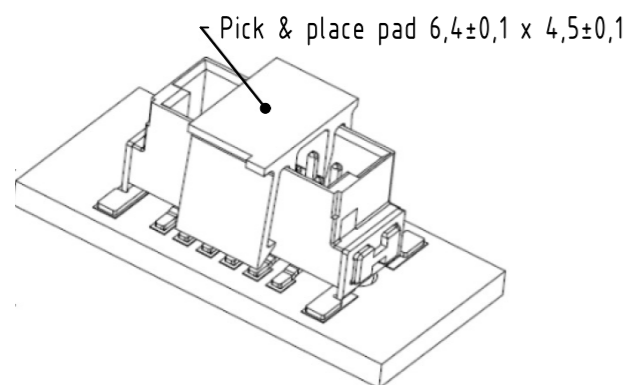
Tape acc. to IEC 60286-3



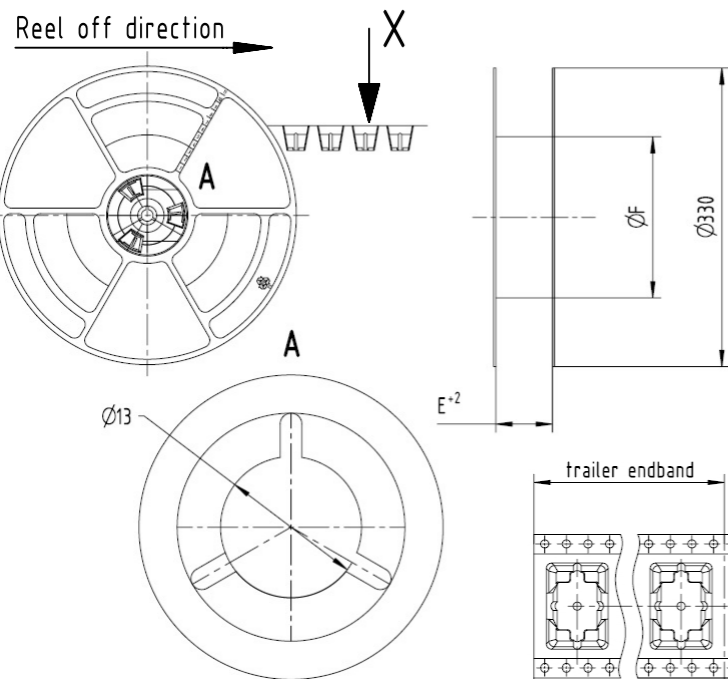
Tape dimensions:	A	F	I	K
poles 06 to 12	24,0	11,5±0,1	-	2±0,1
poles 14 to 20	32,0	14,2±0,1	28,4	2±0,1
poles 22 to 40	44,0	20,2±0,15	40,4	2±0,15
poles 42 to 56	56,0	26,2±0,15	52,4	2±0,15
poles 58 to 80	72,0	34,2±0,3	68,4	2±0,2
poles 82 to 100	88,0	42,2±0,3	84,4	2±0,2

- ① NO DOUBLE SPROCKET HOLES FOR 06, 08, 10 AND 12 POLE NUMBERS (TAPE SIZE 24)
- ② Not available for stacking height 4,85mm

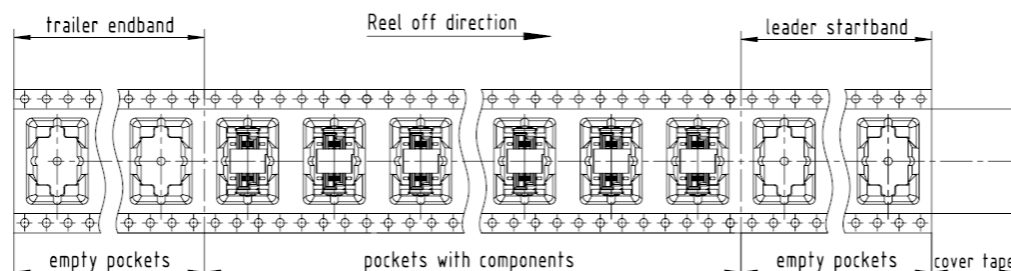
Index	Stacking height	Packaging unit	Packaging
000	4,85mm	250	Tape&reel
	1,75mm&3,25mm	280	
333	All	1	Tape



REEL DIMENSIONS



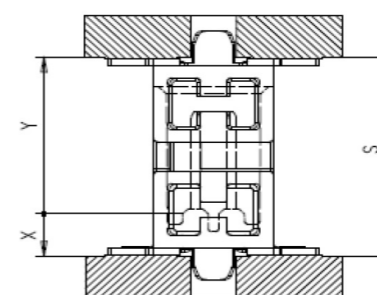
Reel dimensions:	E	F
Poles 06 to 12	24,4	178mm for stacking height 1,75mm & 3,25mm
Poles 14 to 20	32,4	
Poles 22 to 40	44,4	100mm for stacking height 4,85mm
Poles 42 to 56	56,4	
Poles 58 to 80	72,4	
Poles 82 to 100	88,4	



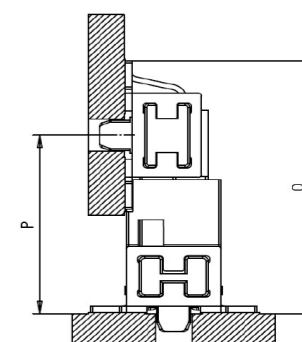
APPLICATION INFORMATION

S	20mm	19mm	18mm	17mm	16mm	15mm	14mm	13mm	12mm	11mm	10mm	9mm	8mm
X&Y	stacking heights	male 1.75mm female 6.25mm	male 3.25mm female 6.25mm	male 4.85mm female 6.25mm	male 1.75mm female 9.05mm	male 3.25mm female 9.05mm	male 4.85mm female 9.05mm	male 1.75mm female 13.65mm	male 3.25mm female 13.65mm	male 4.85mm female 13.65mm			
S	PCB distance	8mm- 9.5mm	9.5mm- 11mm	11.1mm- 12.6mm	10.8mm- 12.3mm	12.3mm- 13.8mm	13.9mm- 15.4mm	15.4mm- 16.9mm	16.9mm- 18.4mm	18.5mm- 20mm			
	part numbers	1511... 1521...	1512... 1521...	1513... 1521...	1511... 1522...	1512... 1522...	1513... 1522...	1511... 1523...	1512... 1523...	1513... 1523...			

straight female



angled female



straight male

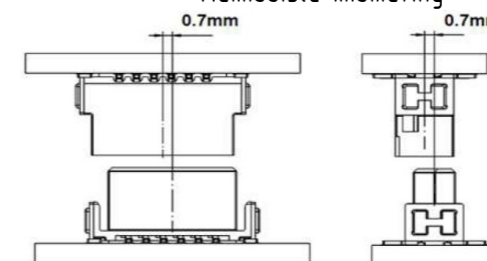
4,85	13,65	18,5	20
3,25	13,65	16,9	18,4
1,75	13,65	15,4	16,9
4,85	9,05	13,9	15,4
3,25	9,05	12,3	13,8
1,75	9,05	10,8	12,3
4,85	6,25	11,1	12,6
3,25	6,25	9,5	11
1,75	6,25	8	9,5
X	Y	Smin	* Smax

straight male

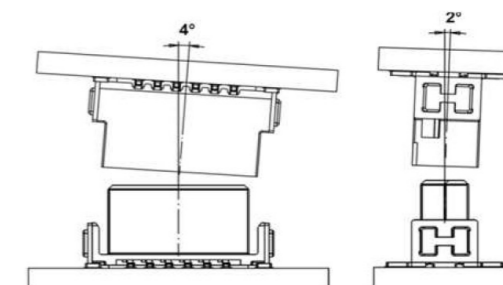
4,85	11,85	15,68
3,25	10,25	14,08
1,75	8,75	12,58
X	P min.	O

*Smax = Smin +1.5 wiping length with additional contact overlap security

Admissible mismatching



Admissible inclination



All Dimensions in mm
Original Size DIN A3

Scale
1:1

Free size tol.

Ref.

Sub.



All rights reserved

Department EL PD

Created by
ZHUANGJ

Inspected by
LUOK

Standardisation
HOFFMANN

Date
2020-07-29

State
Final Release

Title
har flex male stacking height 1.75, 3.25 and 4.85

Doc-Key / ECM-Nr.
100577896/UGD/001/E
500000177026

HARTING Electronics GmbH

D-32339 Espelkamp

Type
DS

Number
15111100301

Rev.
E

Page
2/2

Mouser Electronics

Authorized Distributor

Click to View Pricing, Inventory, Delivery & Lifecycle Information:

HARTING:

15111002601000	15121002601000	15110062601000	15110082601000	15110102601000	15110122601000
15110142601000	15110162601000	15110182601000	15110202601000	15110222601000	15110242601000
15110262601000	15110282601000	15110302601000	15110322601000	15110342601000	15110362601000
15110382601000	15110402601000	15110422601000	15110442601000	15110462601000	15110482601000
15110502601000	15110522601000	15110542601000	15110562601000	15110582601000	15110602601000
15110622601000	15110642601000	15110662601000	15110682601000	15110702601000	15110722601000
15110742601000	15110762601000	15110782601000	15110802601000	15110822601000	15110842601000
15110862601000	15110882601000	15110902601000	15110922601000	15110942601000	15110962601000
15110982601000	15120062601000	15120082601000	15120102601000	15120122601000	15120142601000
15120162601000	15120182601000	15120202601000	15120222601000	15120242601000	15120262601000
15120282601000	15120302601000	15120322601000	15120342601000	15120362601000	15120382601000
15120402601000	15120422601000	15120442601000	15120462601000	15120482601000	15120502601000
15120522601000	15120542601000	15120562601000	15120582601000	15120602601000	15120622601000
15120642601000	15120662601000	15120682601000	15120702601000	15120722601000	15120742601000
15120762601000	15120782601000	15120802601000	15120822601000	15120842601000	15120862601000
15120882601000	15120902601000	15120922601000	15120942601000	15120962601000	15120982601000
15120162601333	15110686601000	15110166601000	15110165601000		