


# Counter nut - A-INL-PG11-P-GY - 1411223

Please be informed that the data shown in this PDF Document is generated from our Online Catalog. Please find the complete data in the user's documentation. Our General Terms of Use for Downloads are valid (<http://phoenixcontact.com/download>)

Counter nut, material: PA, for threads Pg11, color: silver-gray RAL 7001



## Key Commercial Data

|              |   |
|--------------|---|
| Packing unit | 5 pc  |
| GTIN         | <br>4 046356 923552 |
| GTIN         | 4046356923552   |

## Technical data

### Dimensions

|                            |         |
|----------------------------|---------|
| Length                     | 5 mm    |
| Connecting thread diameter | 18.6 mm |
| Wrench size, counter nut   | 24 mm   |
| Hexagon angular dimension  | 26 mm   |

### Ambient conditions

|                                 |                   |
|---------------------------------|-------------------|
| Ambient temperature (operation) | -40 °C ... 100 °C |
|---------------------------------|-------------------|

### General

|  |                      |
|--|----------------------|
| Material                               | PA                   |
| Flammability rating according to UL 94 | V2                   |
| Thread type on connection side         | Pg11                 |
| Color                                  | silver-gray RAL 7001 |

### Standards and Regulations

|  |     |
|--|-----|
| Halogen-free                           | yes |
| Flammability rating according to UL 94 | V2  |

### Environmental Product Compliance

|            |   |
|------------|---|
| China RoHS | Environmentally friendly use period: unlimited = EFUP-e |
|------------|---|

# Counter nut - A-INL-PG11-P-GY - 1411223

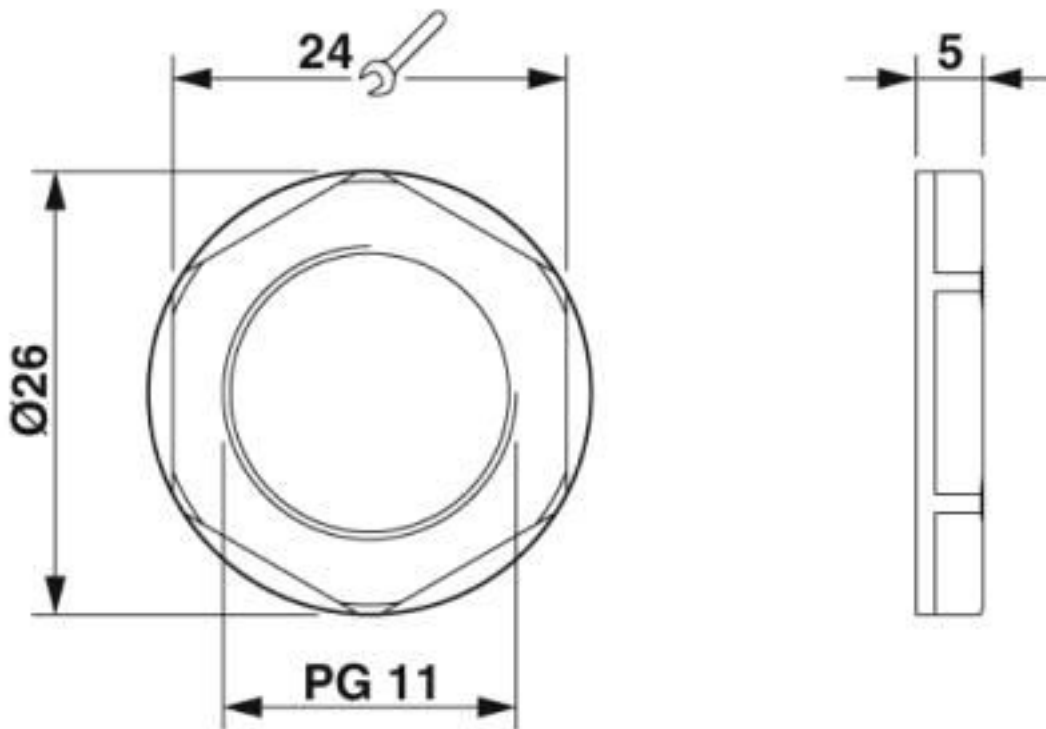
## Technical data

### Environmental Product Compliance

|  |  |
|--|--|
|  | No hazardous substances above threshold values |
|--|--|

## Drawings

Dimensional drawing



## Classifications

### eCl@ss

|               |          |
|---------------|----------|
| eCl@ss 10.0.1 | 27144424 |
| eCl@ss 4.0    | 27141200 |
| eCl@ss 4.1    | 27141200 |
| eCl@ss 5.0    | 27149100 |
| eCl@ss 5.1    | 27149100 |
| eCl@ss 6.0    | 27149100 |
| eCl@ss 7.0    | 27069219 |
| eCl@ss 8.0    | 27069219 |
| eCl@ss 9.0    | 27144424 |

### ETIM

|          |          |
|----------|----------|
| ETIM 4.0 | EC000032 |
| ETIM 5.0 | EC000129 |

## Counter nut - A-INL-PG11-P-GY - 1411223

### Classifications

#### ETIM

|          |          |
|----------|----------|
| ETIM 6.0 | EC000940 |
| ETIM 7.0 | EC000940 |

#### UNSPSC

|             |          |
|-------------|----------|
| UNSPSC 13.2 | 31161716 |
| UNSPSC 18.0 | 31161716 |
| UNSPSC 19.0 | 31161716 |
| UNSPSC 20.0 | 31161716 |
| UNSPSC 21.0 | 31161716 |

Phoenix Contact 2020 © - all rights reserved  
<http://www.phoenixcontact.com>

PHOENIX CONTACT GmbH & Co. KG  
Flachsmarktstr. 8  
32825 Blomberg  
Germany  
Tel. +49 5235 300  
Fax +49 5235 3 41200  
<http://www.phoenixcontact.com>

# Mouser Electronics

Authorized Distributor

Click to View Pricing, Inventory, Delivery & Lifecycle Information:

[Phoenix Contact:](#)

[1411223](#)