

THIS DRAWING IS UNPUBLISHED.

RELEASED FOR PUBLICATION

ALL RIGHTS RESERVED.

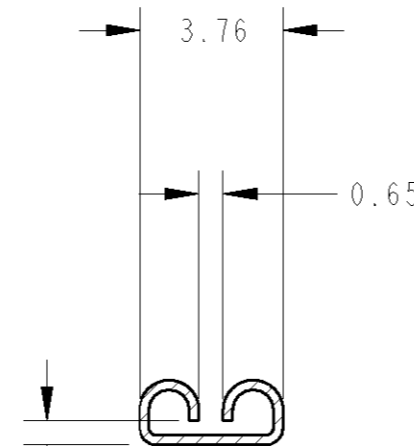
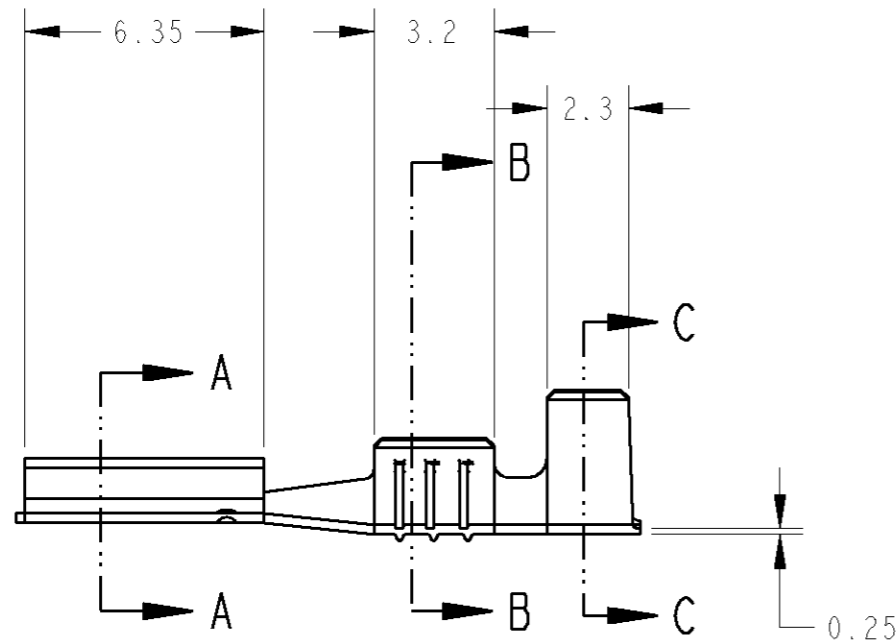
© COPYRIGHT

LOC F

DIST 7

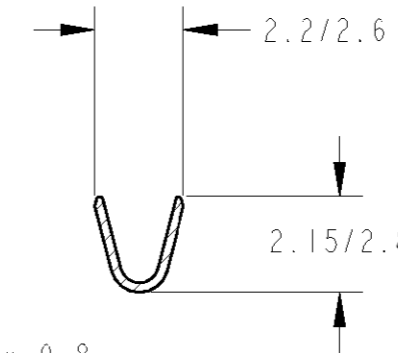
REVISIONS

P	LTR REV	DESCRIPTION MODIFICATIONS	DATE	DWN DESS.	APVD APP.
A2		REVISED PER ECO-11-005140	01APR11	RK	HMR

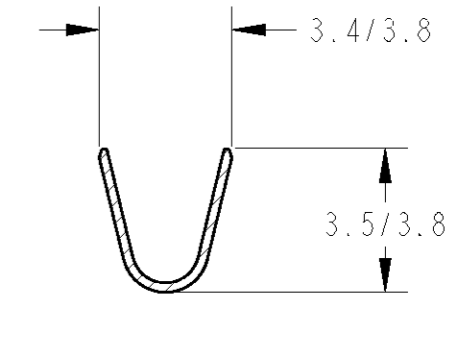


Entre-fer pour languette 2.8 x 0.8  
Gap for tab 2.8 x 0.8 series.

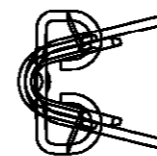
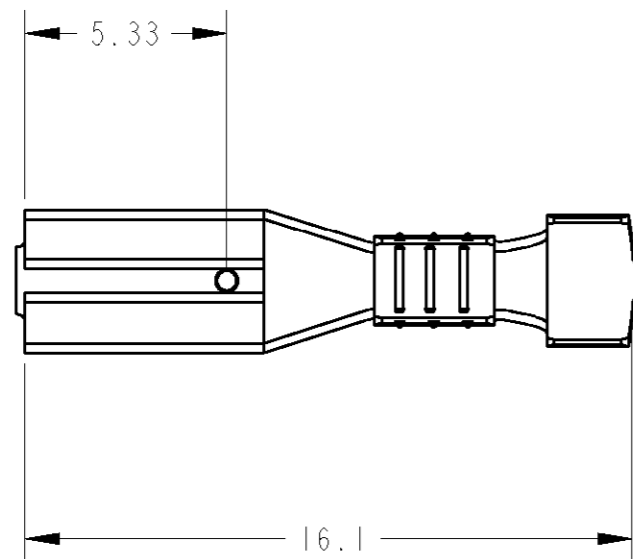
COUPE A-A



COUPE B-B



COUPE C-C



2

DIA. ISOLANT	SECTION mm2	Ep. TAB	FINITION	MATIERE	REFERENCE VRAC PREFORME	REFERENCE VRAC	REFERENCE
1.5 2.5	0.3 1	0.8	POST ETAME	LAITON	141287-3	/	<del>140825-3</del>
1.5 2.5	0.3 1	0.8	PRE ETAME	LAITON	141287-2	140852-2	140825-2
1.5 2.5	0.3 1	0.8	BRUT	LAITON	141287-1	140852-1	140825-1

1 PRODUIT LIVRE EN BANDE, PAS 17.9±0.1.  
CONTINUOUS STRIP ON REEL, FEED 17.9±0.1.

2 OBSOLETE PARTS: OBSOLETE CIS STREAMLINING PER D.RENAUD/D.SINISI

DIMENSIONS: mm 		TOLERANCES UNLESS OTHERWISE SPECIFIED: TOLERANCES NON SPECIFIEES (SUIV NB DE DECIMALES): 0 PLC /DEC: ±- 1 PLC /DEC: ±0.5 2 PLC /DEC: ±0.13 3 PLC /DEC: ±0.013 4 PLC /DEC: ±0.0001 ANGLES ±-		DWN /DESSINE 09DEC97 Gérard ROBERT CHK /VERIFIE 09DEC97 Gérard ROBERT APVD /APPROUVE 09DEC97 Yves PETRONIN PRODUCT SPEC SPEC. PRODUIT - APPLICATION SPEC SPEC. APPLICATION 114-35000 WEIGHT MASSE APPROX. -		TE Connectivity .110 SERIES RECEPTACLE, FASTON		SIZE FORMAT A3 CAGE CODE 00779 DRAWING NO No PLAN C-140825 RESTRICTED TO RESERVE A -	
MATERIAL MATIERE VOIR TABLEAU		FINISH FINITION VOIR TABLEAU		CUSTOMER DRAWING /PLAN CLIENT		UNIQUEMENT POUR REFERENCE		SCALE ECHELLE 5:1	
				SHEET FEUILLE		OF DE		REV A2	

# Mouser Electronics

Authorized Distributor

Click to View Pricing, Inventory, Delivery & Lifecycle Information:

[TE Connectivity:](#)

[140852-2](#)