

IE-BSC-V14M-LCD-MM-C**Weidmüller Interface GmbH & Co. KG**

Klingenbergstraße 26

D-32758 Detmold

Germany

www.weidmueller.com



PushPull plug-in connector set according to IEC
61076-3-117 ver.14 (PROFINET), metal incl. LC insert

General ordering data

Version	Flange FO, IP67, Variant 14 central cable gland, LC Duplex coupling, Multimode
Order No.	1062610000
Type	IE-BSC-V14M-LCD-MM-C
GTIN (EAN)	4032248813322
Qty.	10 pc(s).

Creation date January 20, 2022 2:16:19 AM CET

Catalogue status 14.01.2022 / We reserve the right to make technical changes.

IE-BSC-V14M-LCD-MM-C**Weidmüller Interface GmbH & Co. KG**

Klingenbergstraße 26

D-32758 Detmold

Germany

www.weidmueller.com

Technical data**Dimensions and weights**

Depth	33 mm	Depth (inches)	1.299 inch
Height	39.6 mm	Height (inches)	1.559 inch
Width	39.6 mm	Width (inches)	1.559 inch
Net weight	52.9 g		

Temperatures

Operating temperature	-40 °C...70 °C
-----------------------	----------------

Environmental Product Compliance

REACH SVHC	Lead 7439-92-1
------------	----------------

General data

Colour	Miscellaneous	Connection 1	LC Duplex
Connection 2		Description of article	Variant 14 central cable gland, LC Duplex coupling
Fibre type	LC Duplex	Housing main material	Zinc diecast
Insertion loss	Multimode	Plugging cycles	500
Protection degree	≤ 0.4 dB	Return loss (attenuation)	≥ 30 dB
	IP67		

General standards

Connector standard	IEC 61076-3-117 Var. 14, IEC 61754-20
--------------------	--

Classifications

ETIM 6.0	EC001122	ETIM 7.0	EC001122
ETIM 8.0	EC001122	ECLASS 9.0	19-17-01-22
ECLASS 9.1	19-17-01-22	ECLASS 10.0	19-17-01-22
ECLASS 11.0	19-17-01-22		

Approvals

ROHS	Conform
------	---------

Downloads

Engineering Data	CAD data – STEP
Engineering Data	WSCAD
User Documentation	MAN IE GUIDE DE MAN IE GUIDE EN Designation key / Type key
Catalogues	Catalogues in PDF-format
Brochures	FL FIELDWIRING EN PI PROFINET CABLING EN PI PROFINET CABLING EN

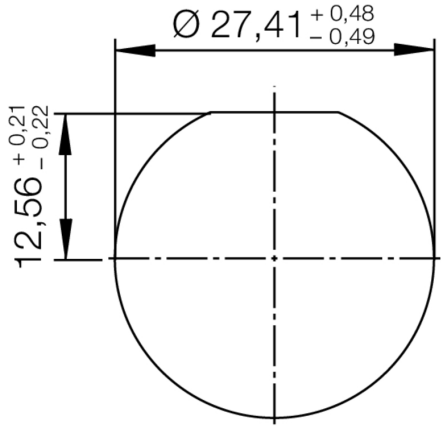
IE-BSC-V14M-LCD-MM-C

Weidmüller Interface GmbH & Co. KG
Klingenbergstraße 26
D-32758 Detmold
Germany

www.weidmueller.com

Drawings

Installation cut-out



IE-BSC-V14M-LCD-MM-C

Weidmüller Interface GmbH & Co. KG
Klingenbergstraße 26
D-32758 Detmold
Germany

www.weidmueller.com

Accessories**Dust caps**

For protecting your devices against dust and dirt.

Dust caps**General ordering data**

Type	IE-BP-V14P	Version
Order No.	1058310000	Flange-mounted housing, protective cap
GTIN (EAN)	4032248799404	
Qty.	10 pc(s).	

Mouser Electronics

Authorized Distributor

Click to View Pricing, Inventory, Delivery & Lifecycle Information:

[Weidmuller:](#)

[1062610000](#)